

[54] **QUICK DISCONNECT COUPLING**

[76] **Inventor: John A. Blatt, 47 Willison, Grosse Pointe Shores, Mich. 48236**

[\*\*] **Term: 14 Years**

[21] **Appl. No.: 240,574**

[22] **Filed: Sep. 6, 1988**

[52] **U.S. Cl. .... D23/262; D13/133**

[58] **Field of Search .... 285/38, 312, 137.1, 285/26, 29; 212/177; D23/260-264; D13/133, 158**

[56] **References Cited**

**U.S. PATENT DOCUMENTS**

D. 167,662	9/1952	Ulrich .....	D23/262
D. 214,272	5/1969	Pautrie .....	D23/265
D. 254,505	3/1980	Parsons et al. ....	D23/262
D. 847,718	3/1987	Ambos .	
1,011,284	12/1911	Utz et al. ....	285/176
1,175,438	3/1916	Gzupkaytie .....	285/320
1,175,532	3/1916	Lambkin .....	285/249
1,261,687	4/1918	Brandon .....	285/312
1,527,804	2/1925	Kunst et al. .	
1,594,224	7/1926	Strongson .	
2,444,414	7/1948	Anderson et al. ....	285/312

3,314,698	4/1967	Owens .....	285/312
3,345,086	10/1967	Wallace .....	285/137.1
3,937,498	2/1976	Weinhold .....	285/137.1
4,111,470	9/1978	Welcker .....	285/312
4,543,993	10/1985	Calvin et al. ....	137/614.03
4,596,415	6/1986	Blatt .....	294/88
4,618,171	10/1986	Fahl .....	285/312
4,733,692	3/1988	Kotake et al. ....	137/614.13

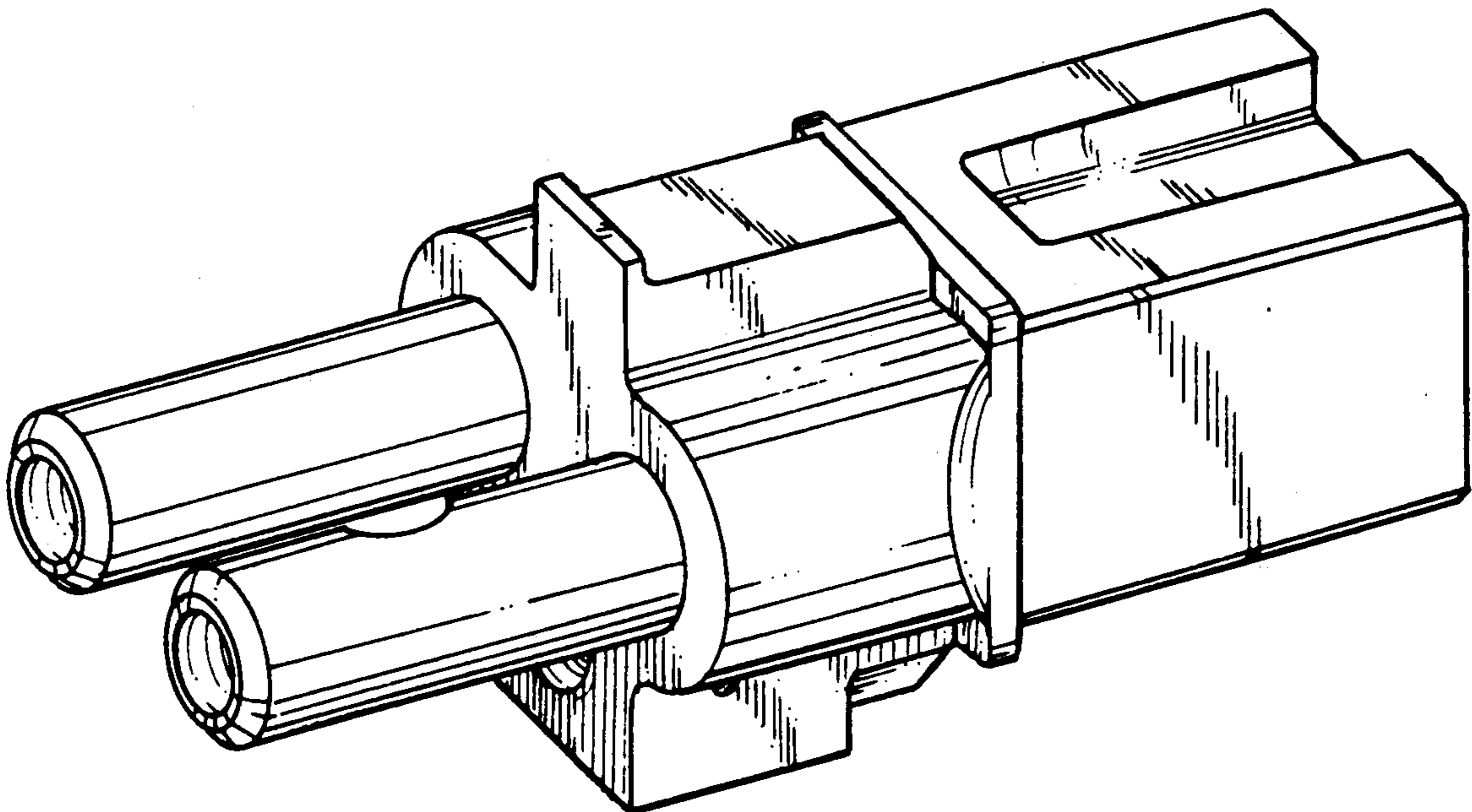
*Primary Examiner*—A. Hugo Word  
*Assistant Examiner*—Demetrius Reynolds  
*Attorney, Agent, or Firm*—Basile and Hanlon

[57] **CLAIM**

The ornamental design for a quick disconnect coupling, as shown and described.

**DESCRIPTION**

FIG. 1 is a right side elevational view of a quick disconnect coupling showing my new design; FIG. 2 is a front elevational view thereof; FIG. 3 is a rear elevational view thereof; FIG. 4 is a left side elevational view thereof; FIG. 5 is a top plan view thereof; FIG. 6 is a bottom plan view thereof; and FIG. 7 is a perspective view taken from the top, front and right side thereof.



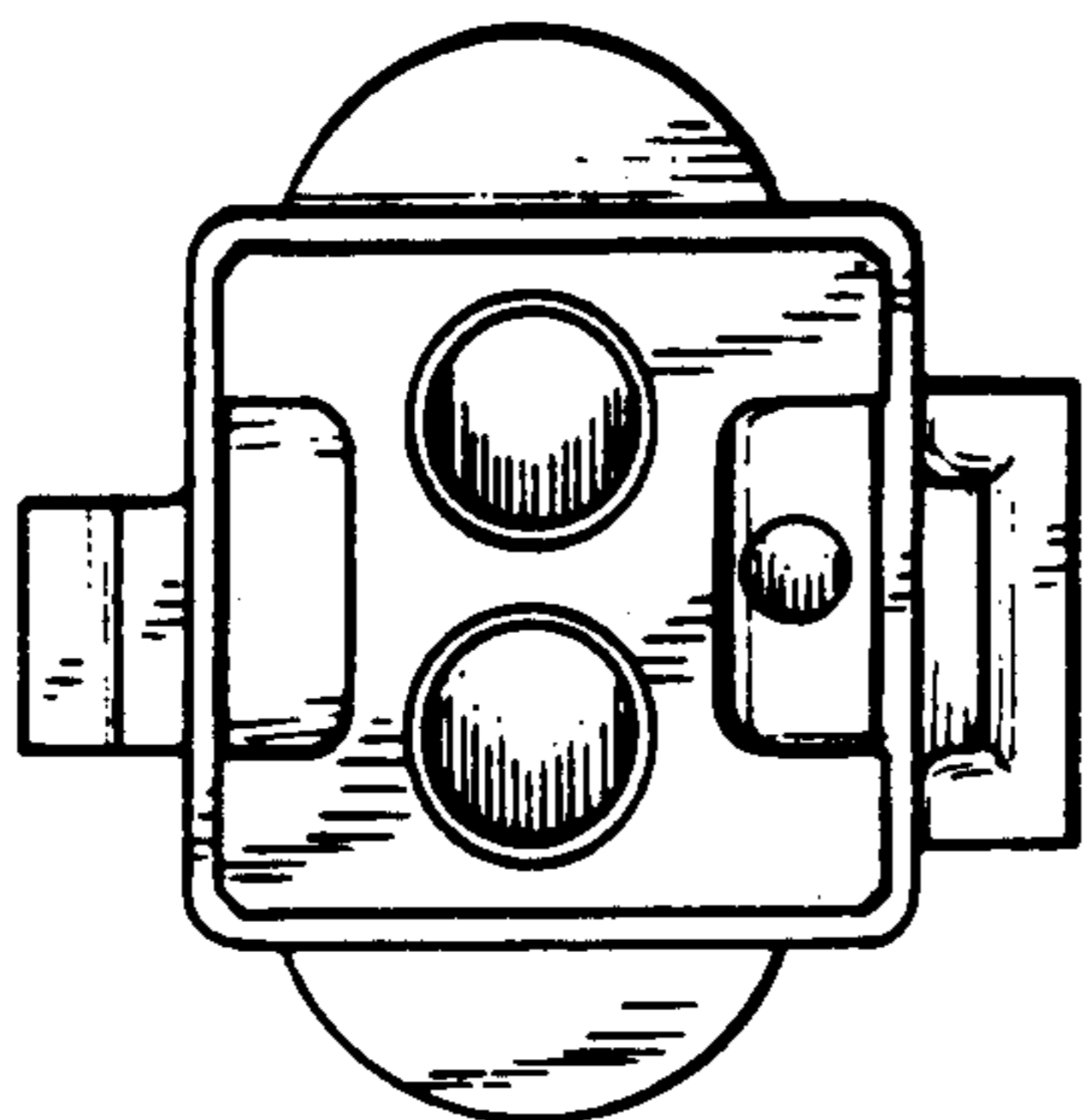


FIG-3

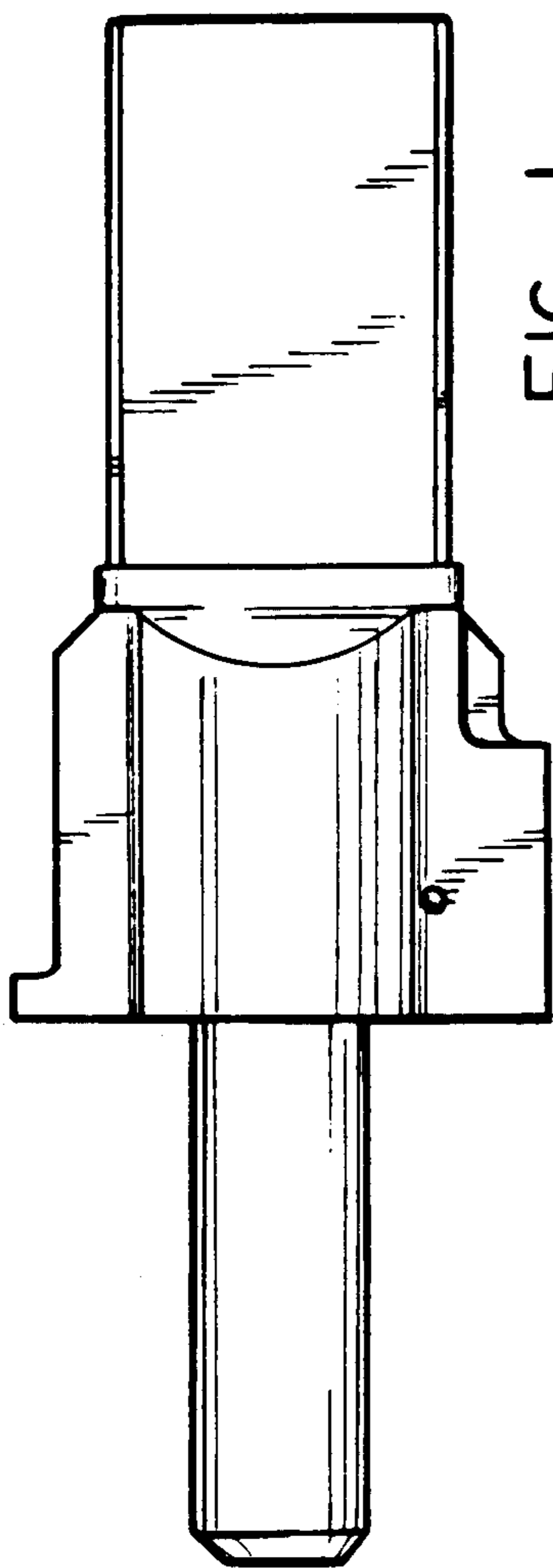


FIG-1

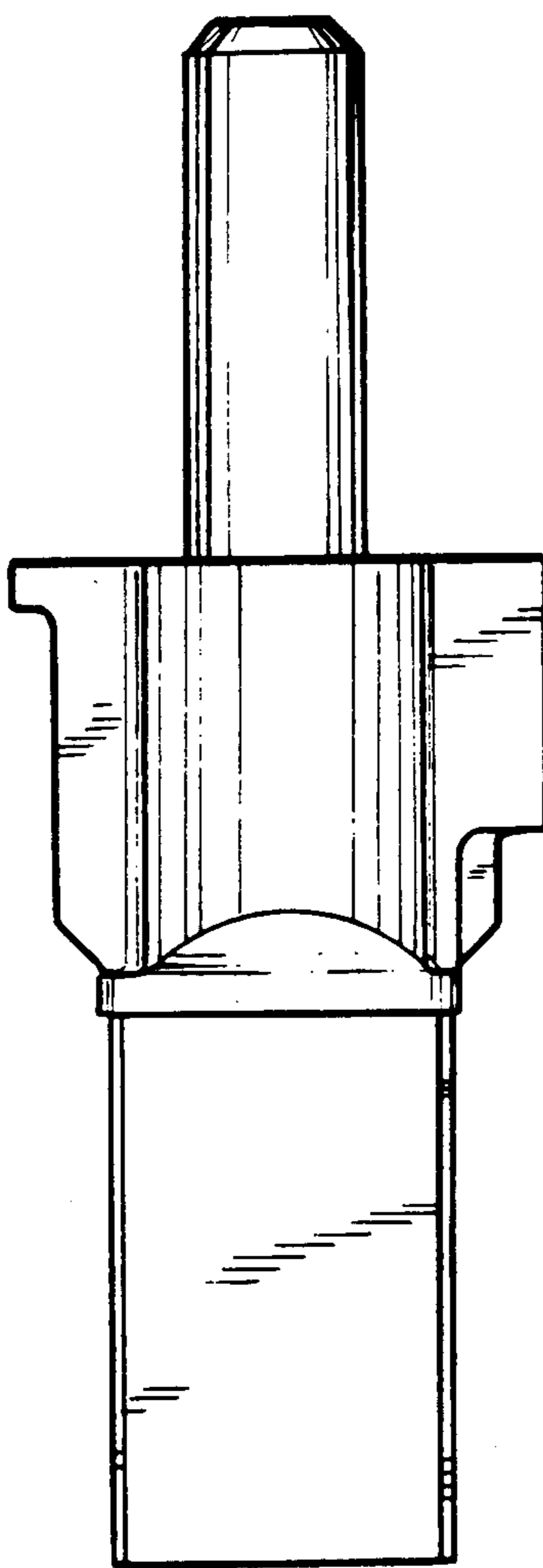


FIG-4

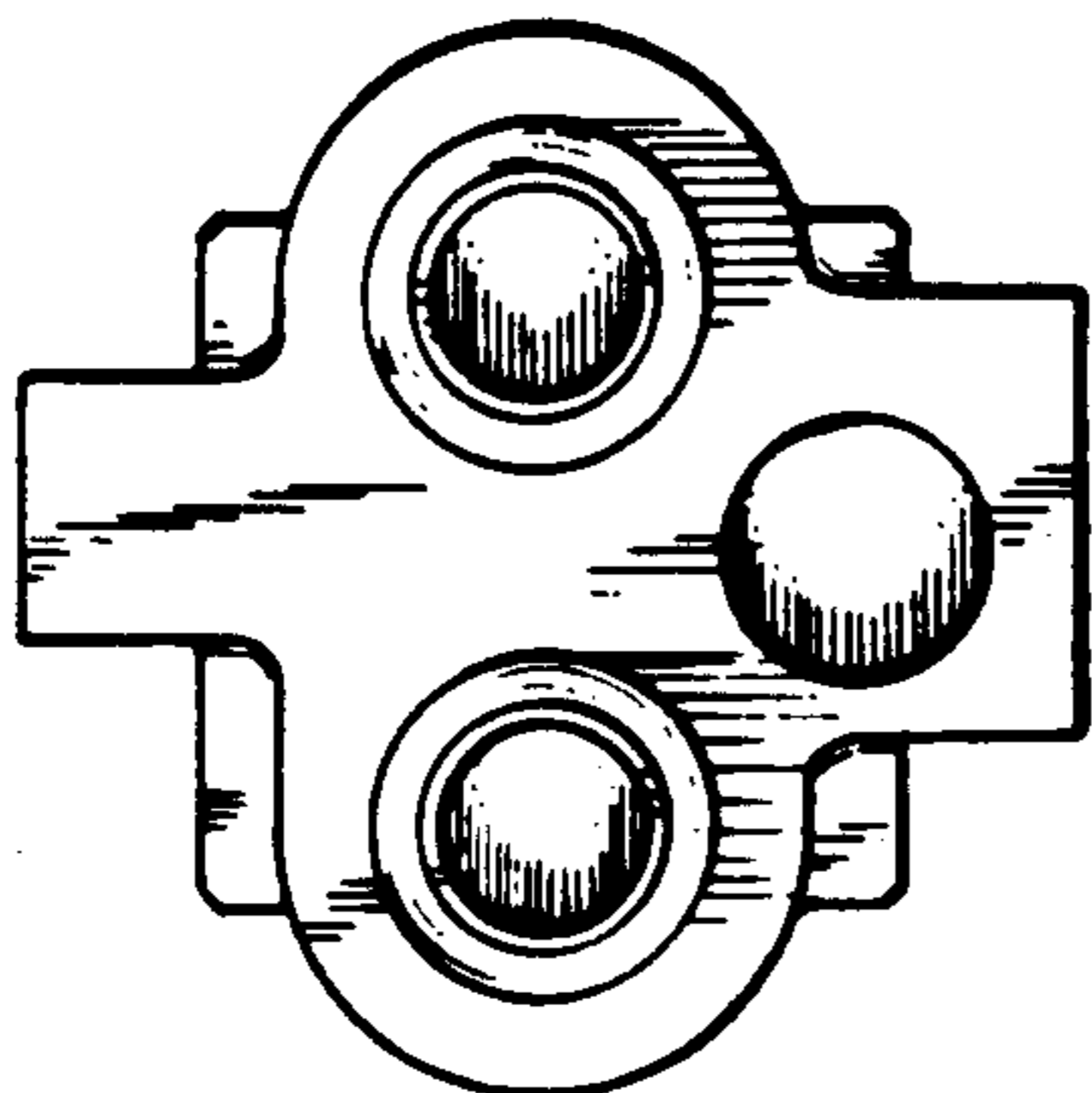


FIG-2

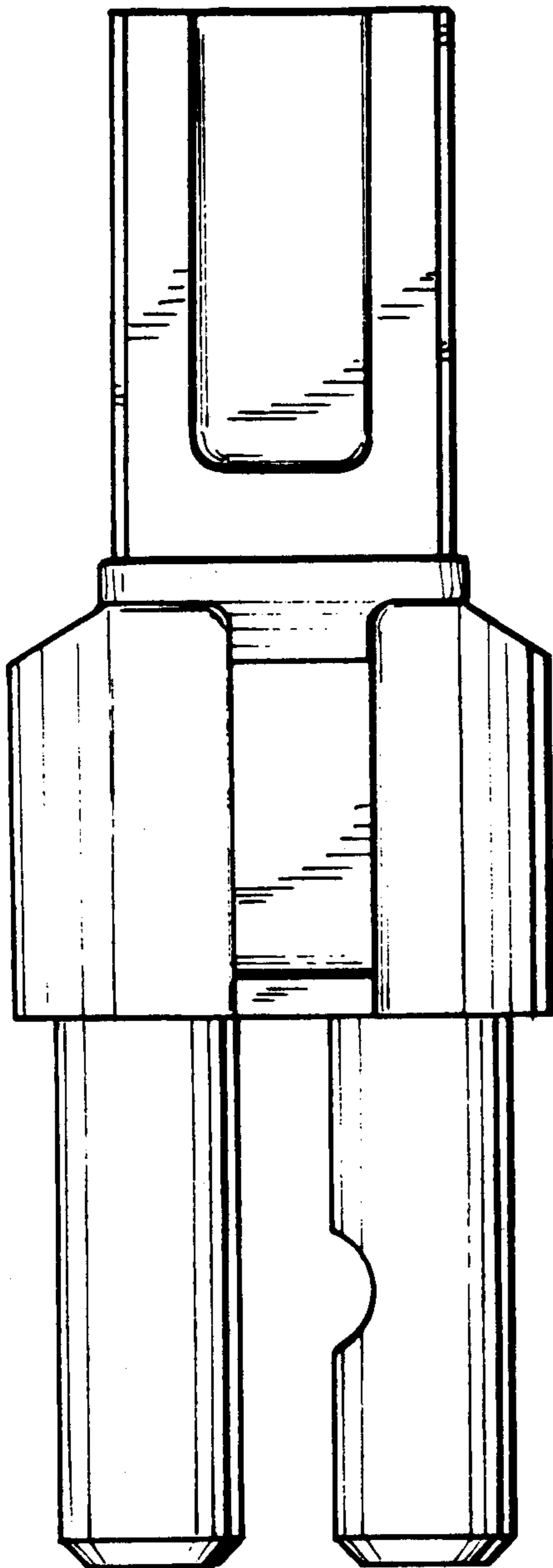


FIG-5

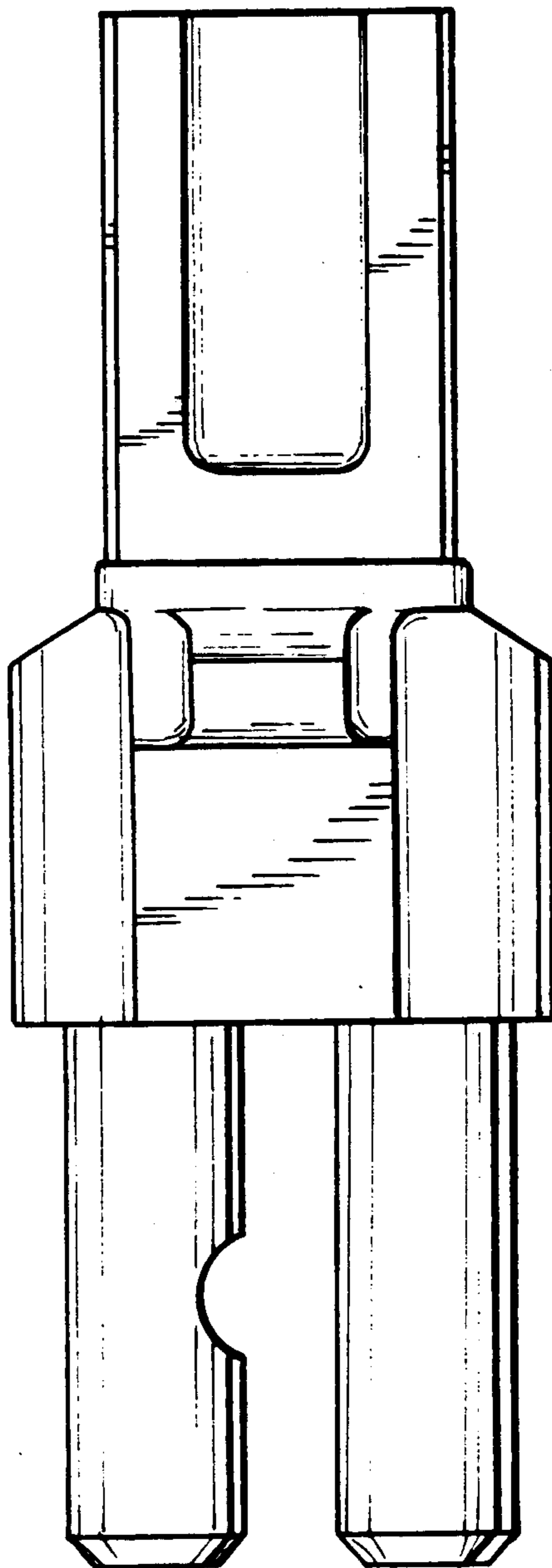


FIG-6

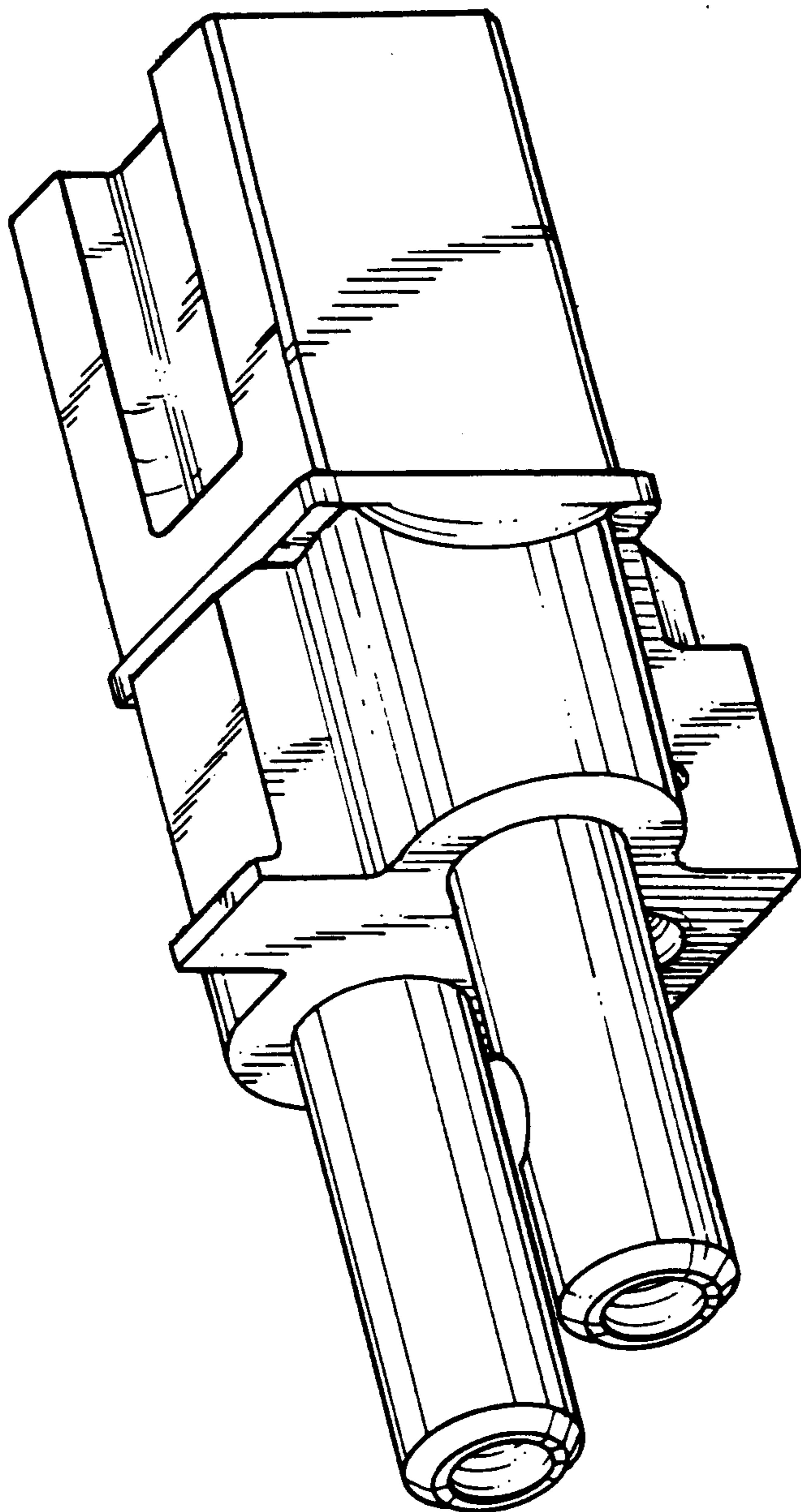


FIG - 7