

United States Patent [19]

Buschor

[11] Patent Number: Des. 318,712

[45] Date of Patent: ** Jul. 30, 1991

[54] **SPRAY GUN FOR COATING ARTICLES**

[75] Inventor: **Karl Buschor**, St. Gallen,
Switzerland

[73] Assignee: **Ransburg-Gema AG**, St. Gallen,
Switzerland

[**] Term: **14 Years**

[21] Appl. No.: **284,465**

[22] Filed: **Dec. 14, 1988**

[30] **Foreign Application Priority Data**

Jul. 4, 1988 [IB] Int'l Pat. Institute DM/011281

[52] U.S. Cl. **D23/226**

[58] Field of Search D23/213, 223-227;
239/301, 332, 373, 394, 414-415, 525-528, 532,
554, 556, 690, 691, 700-703; 251/244;
361/227-228, 235

[56] **References Cited**

U.S. PATENT DOCUMENTS

D. 141,730 7/1945 Baur D23/226
D. 262,434 12/1981 Dunbar et al. D8/14.1

D. 290,681 7/1987 Pudwill D8/14.1
1,654,059 12/1927 Urbach 239/527 X
2,910,248 10/1959 Kueter et al. 239/526

OTHER PUBLICATIONS

D & M Products, Inc. item hydro-air pressure washer,
p. 1.

Primary Examiner—Susan J. Lucas

Assistant Examiner—M. H. Tung

Attorney, Agent, or Firm—Barnes & Thornburg

[57] **CLAIM**

The ornamental design for a spray gun for coating arti-
cles, as shown and described.

DESCRIPTION

FIG. 1 is a top front left side perspective view of a spray
gun for coating articles showing my new design, on a
reduced scale;

FIG. 2 is a right side elevational view thereof;

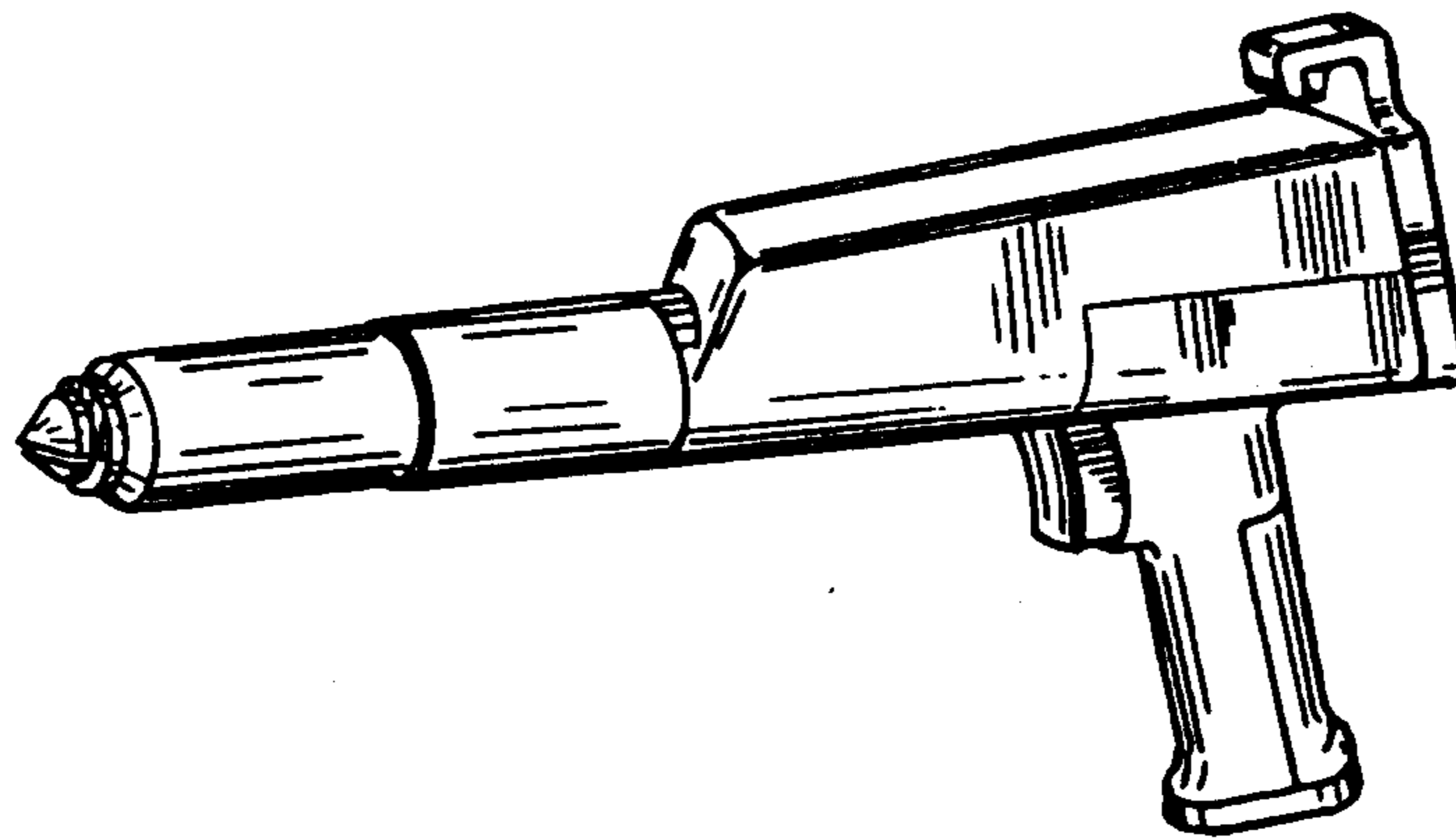
FIG. 3 is a left side elevational view thereof;

FIG. 4 is a top plan view thereof;

FIG. 5 is a bottom plan view thereof;

FIG. 6 is a rear elevational view thereof;

FIG. 7 is a front elevational view thereof.



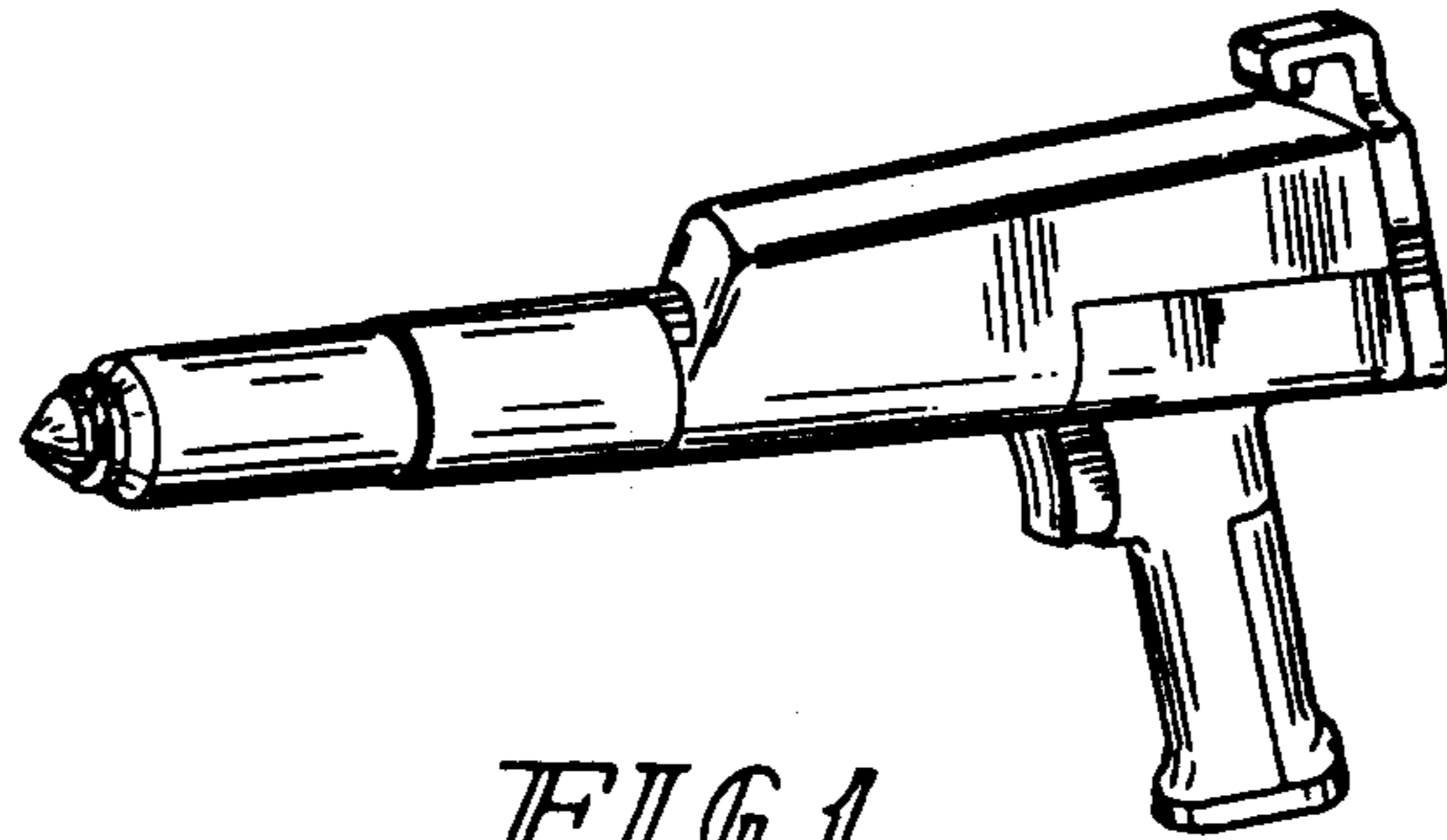


FIG. 1

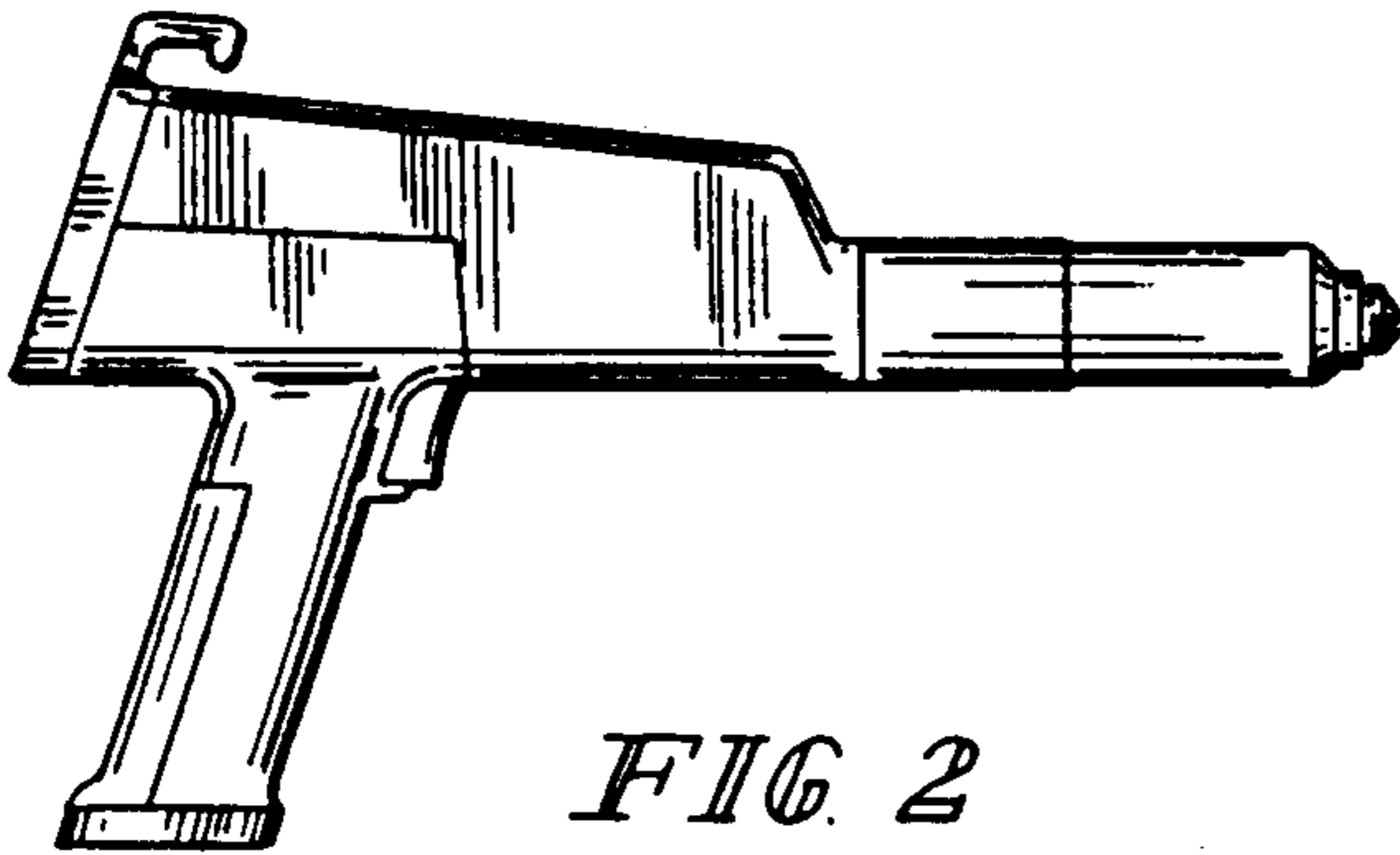


FIG. 2

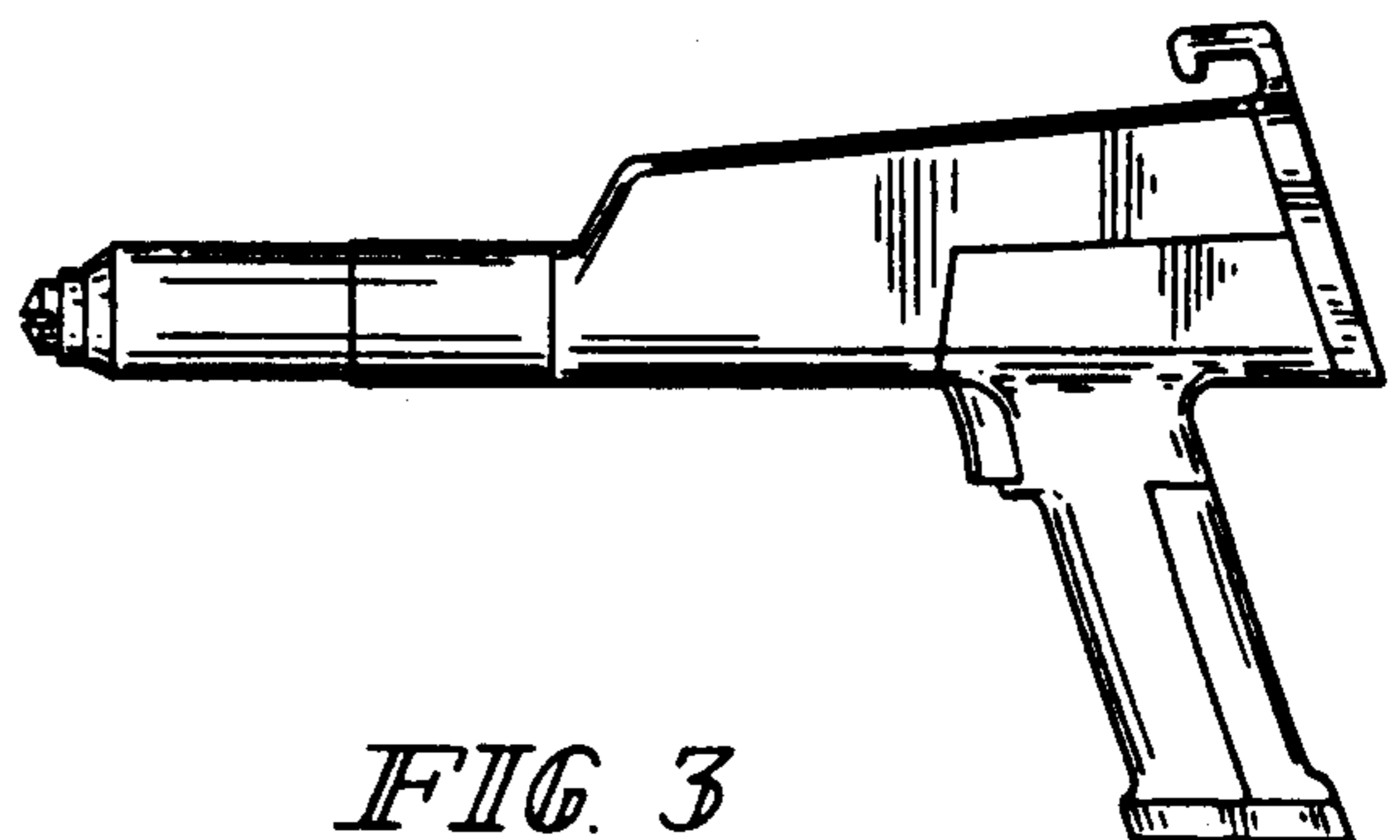


FIG. 3



FIG. 4

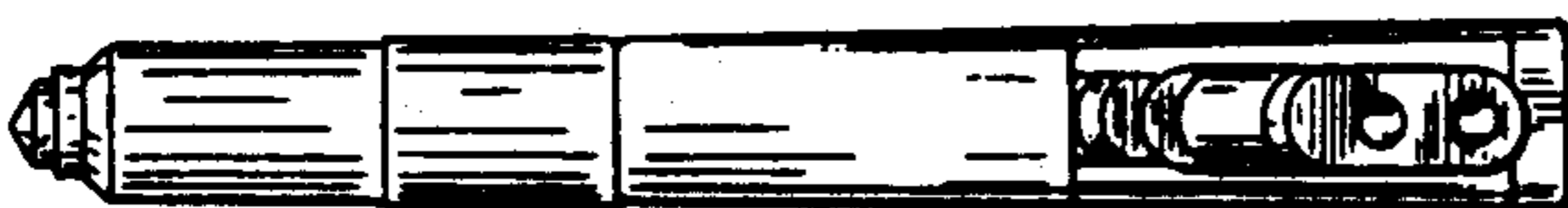


FIG. 5



FIG. 6

FIG. 7