

[54] **LAWN SPRINKLER**

4,235,378 11/1980 Melin et al. 239/229
4,684,066 8/1987 Uzrad 239/229

[76] Inventor: **Carlos E. Dowell**, P.O. Box 419,
Anderson, Calif. 96002

Primary Examiner—Susan J. Lucas
Assistant Examiner—M. H. Tung
Attorney, Agent, or Firm—Jerry T. Kearns

[**] Term: **14 Years**

[21] Appl. No.: **338,769**

[57] **CLAIM**

[22] Filed: **Apr. 17, 1989**

The ornamental design for a lawn sprinkler, as shown and described.

[52] U.S. Cl. **D23/214**

[58] Field of Search **D23/200, 211, 213-221;**
239/200-207, 211, 242-243, 246-248, 273,
275-276, 279-280, 390-394, 443-444, 456,
556-558, DIG. 1, 229

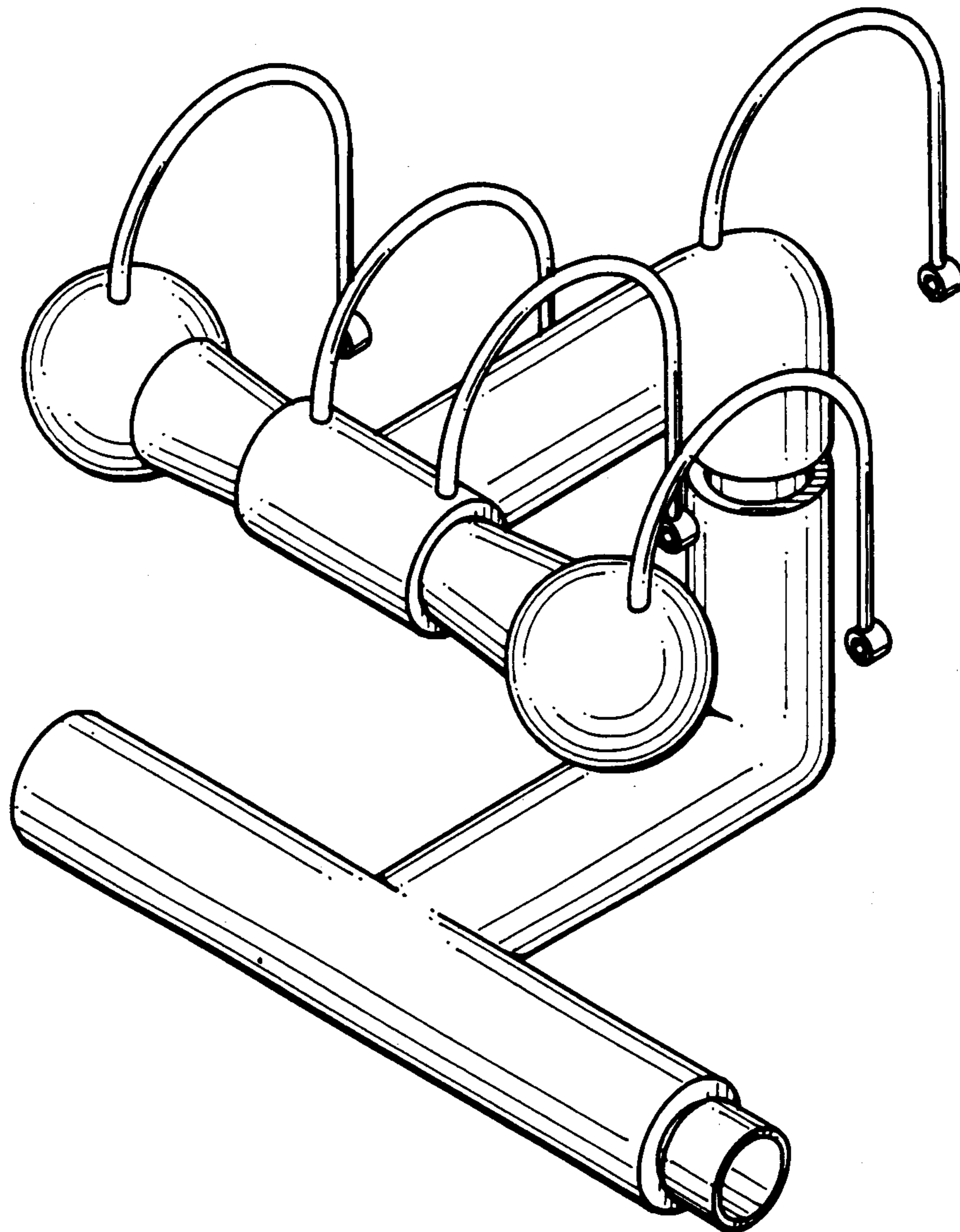
DESCRIPTION

FIG. 1 is a front elevational view of a lawn sprinkler showing my new design;
FIG. 2 is a rear elevational view thereof;
FIG. 3 is a left side elevational view thereof;
FIG. 4 is a right side elevational view thereof;
FIG. 5 is a top plan view thereof;
FIG. 6 is a bottom plan view thereof; and,
FIG. 7 is a perspective view thereof.

[56] **References Cited**

U.S. PATENT DOCUMENTS

D. 239,174 3/1976 Raffer et al. D23/214
1,939,461 12/1933 Phipps 239/229
2,757,960 8/1956 Hatcher 239/229



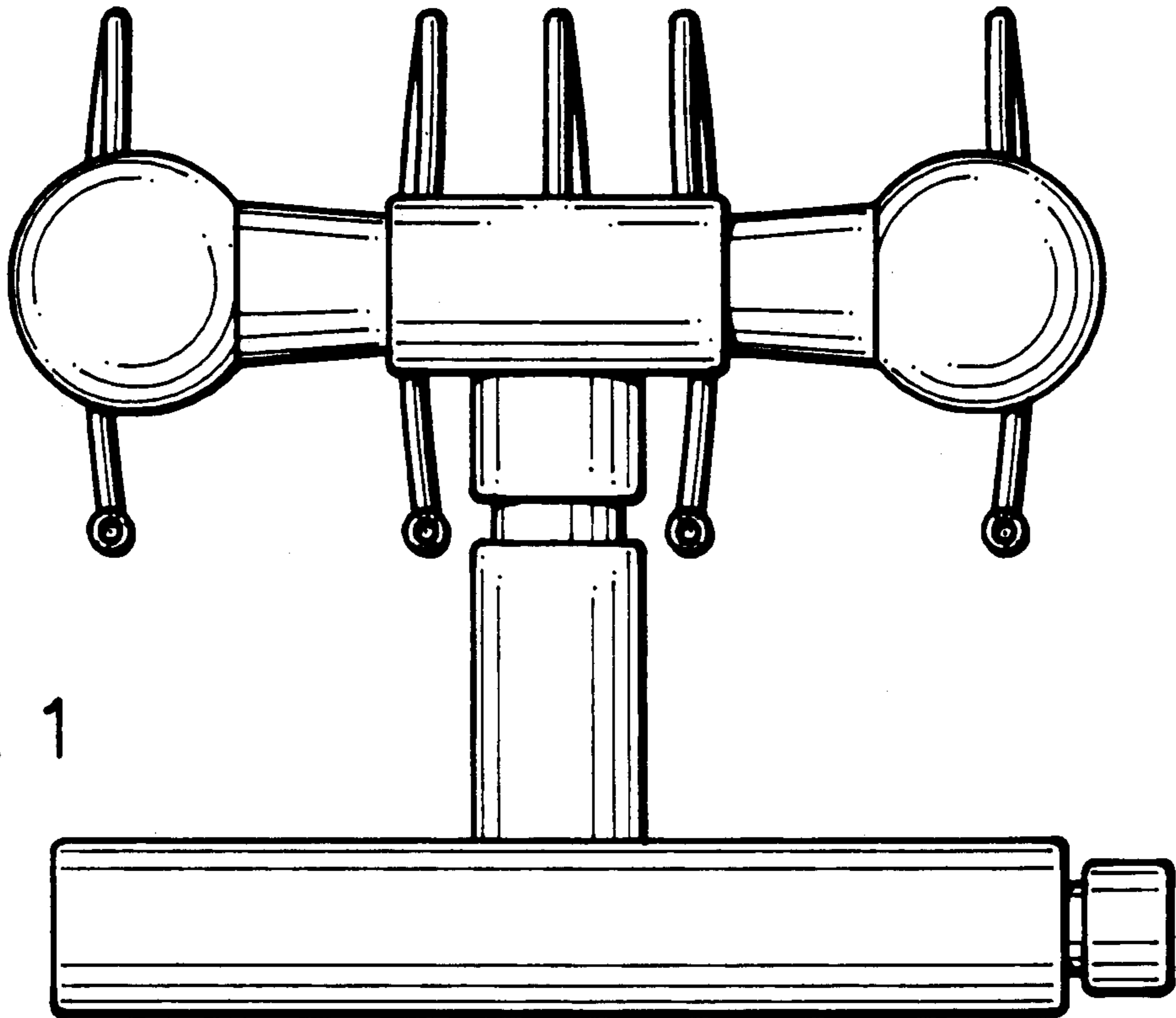


Fig. 1

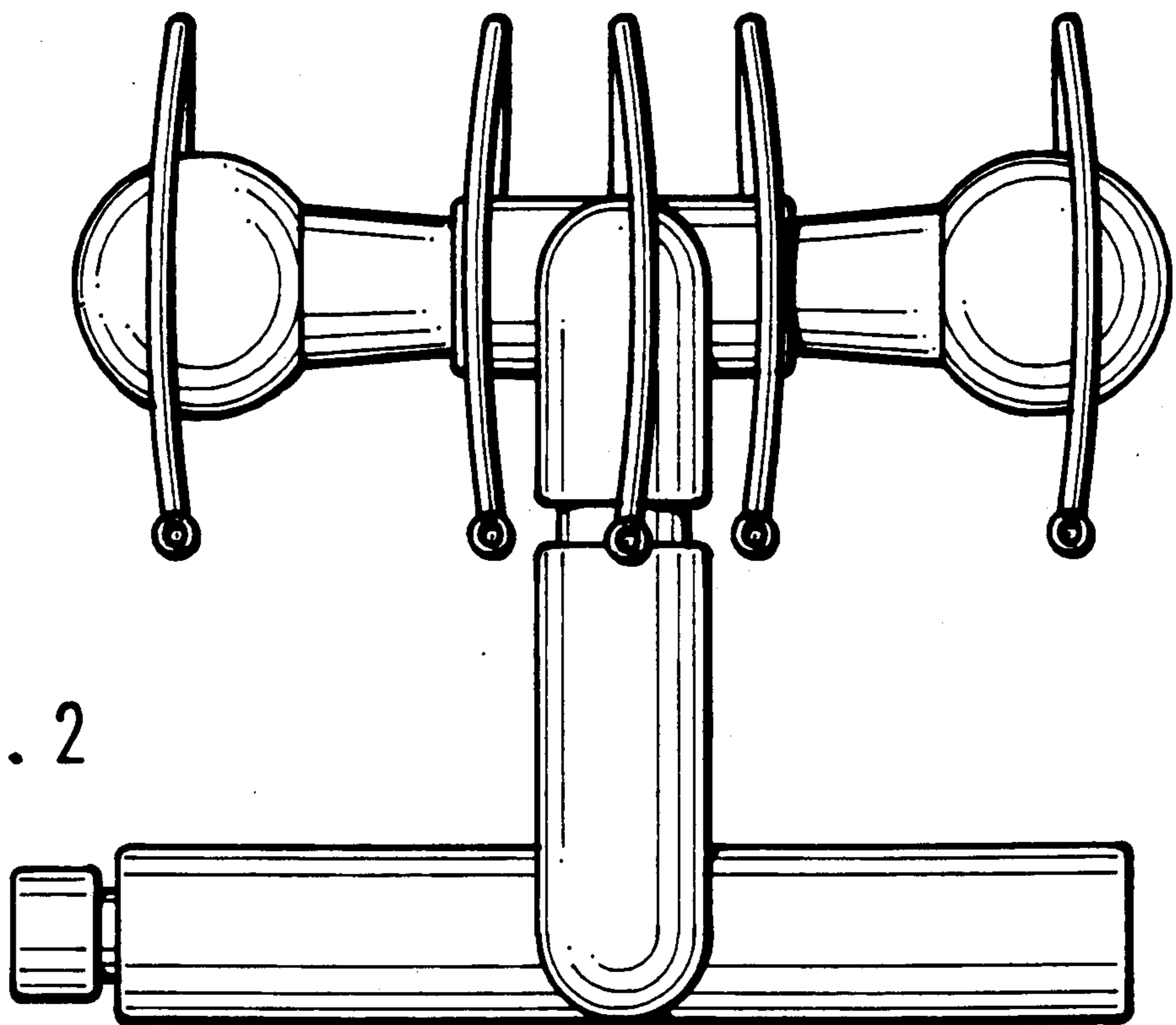


Fig. 2

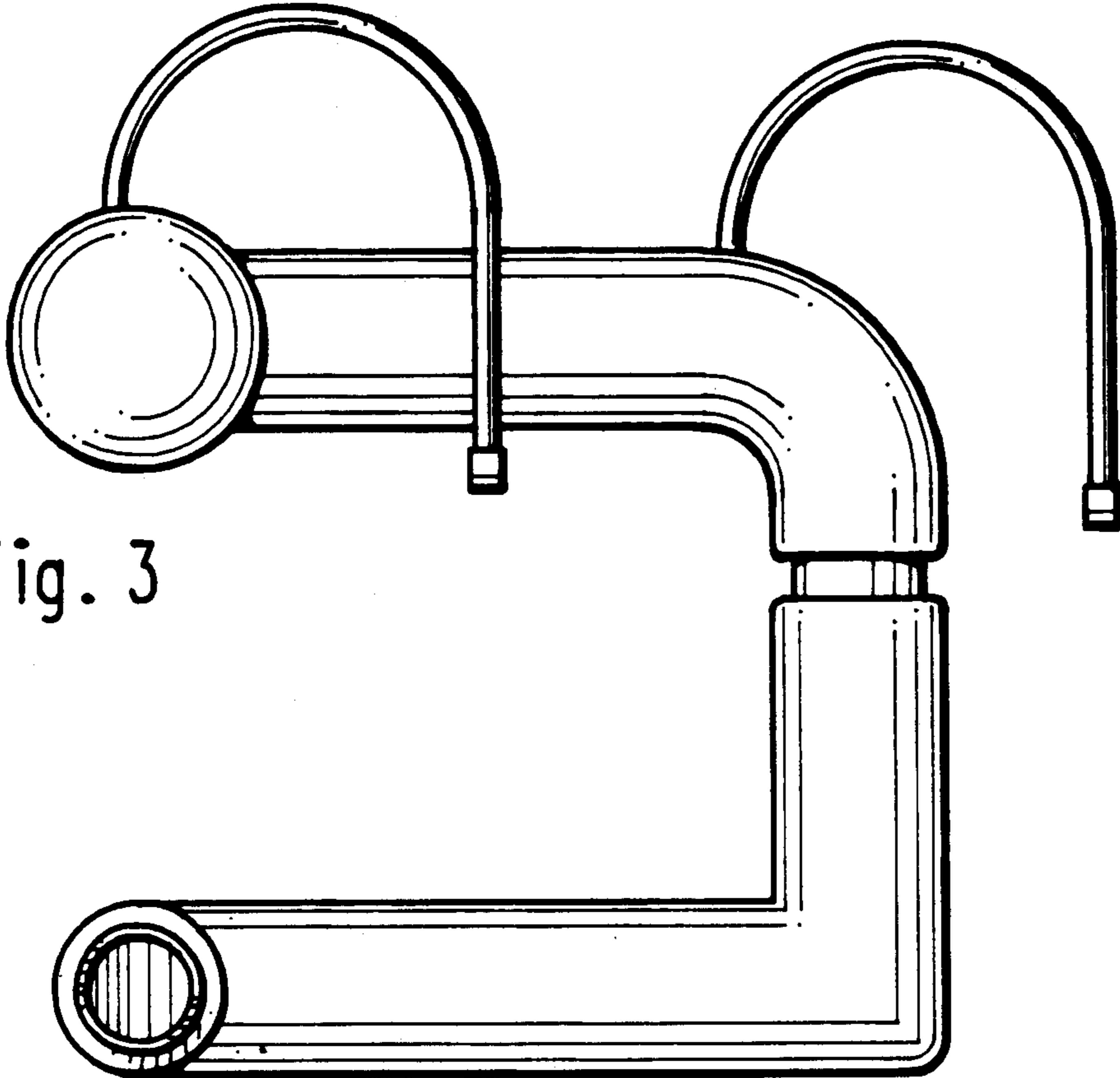


Fig. 3

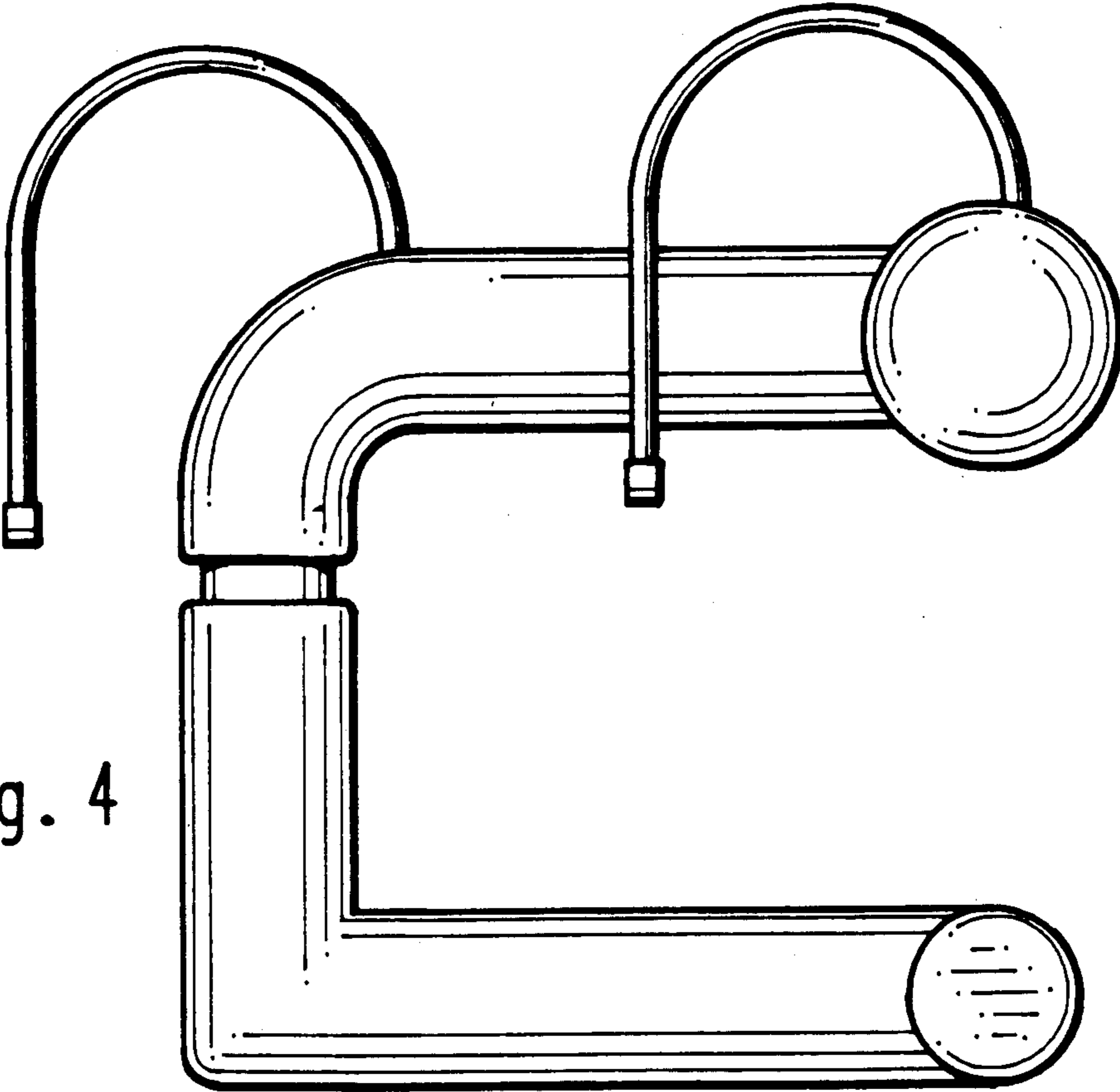


Fig. 4

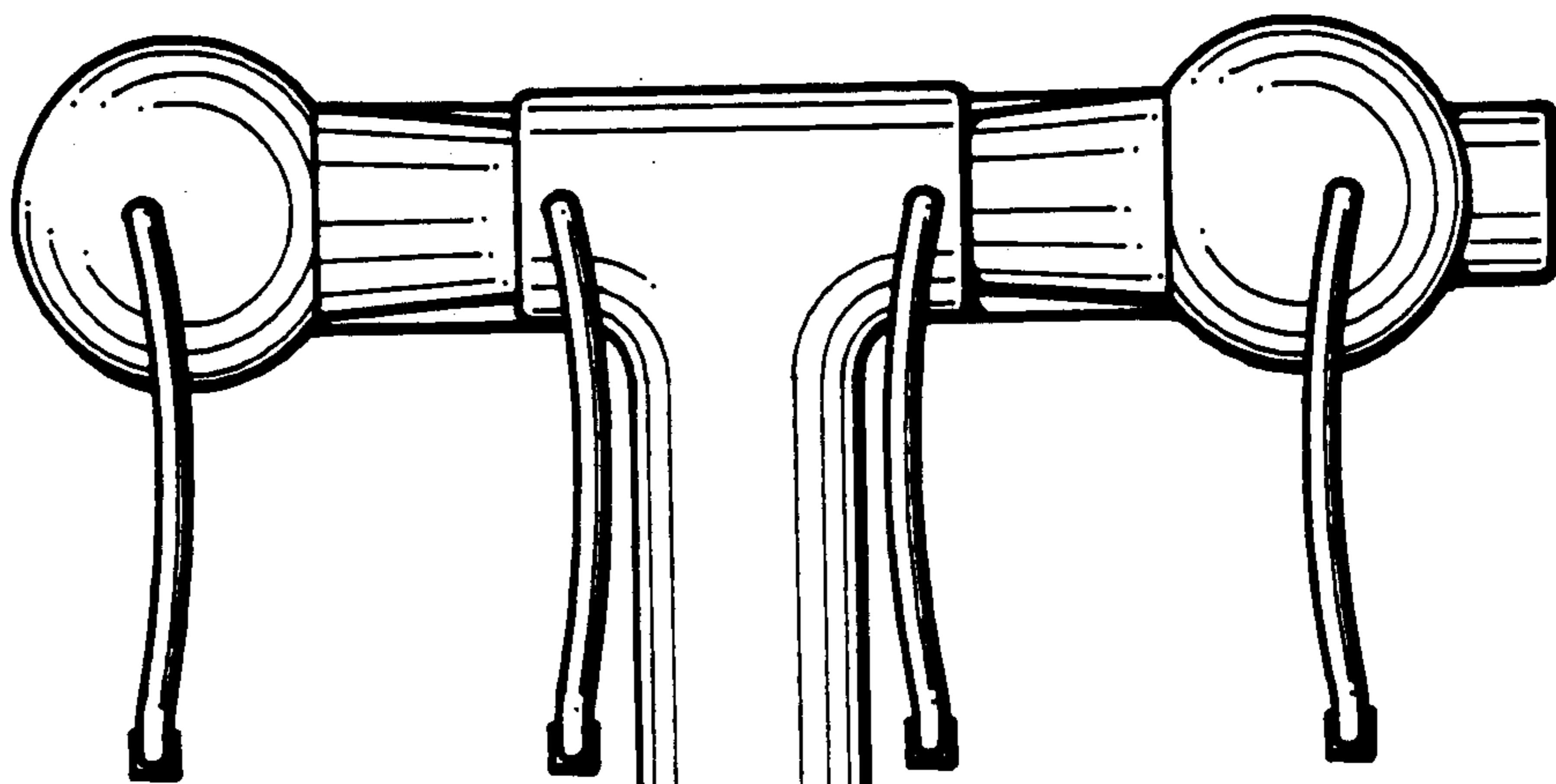


Fig. 5

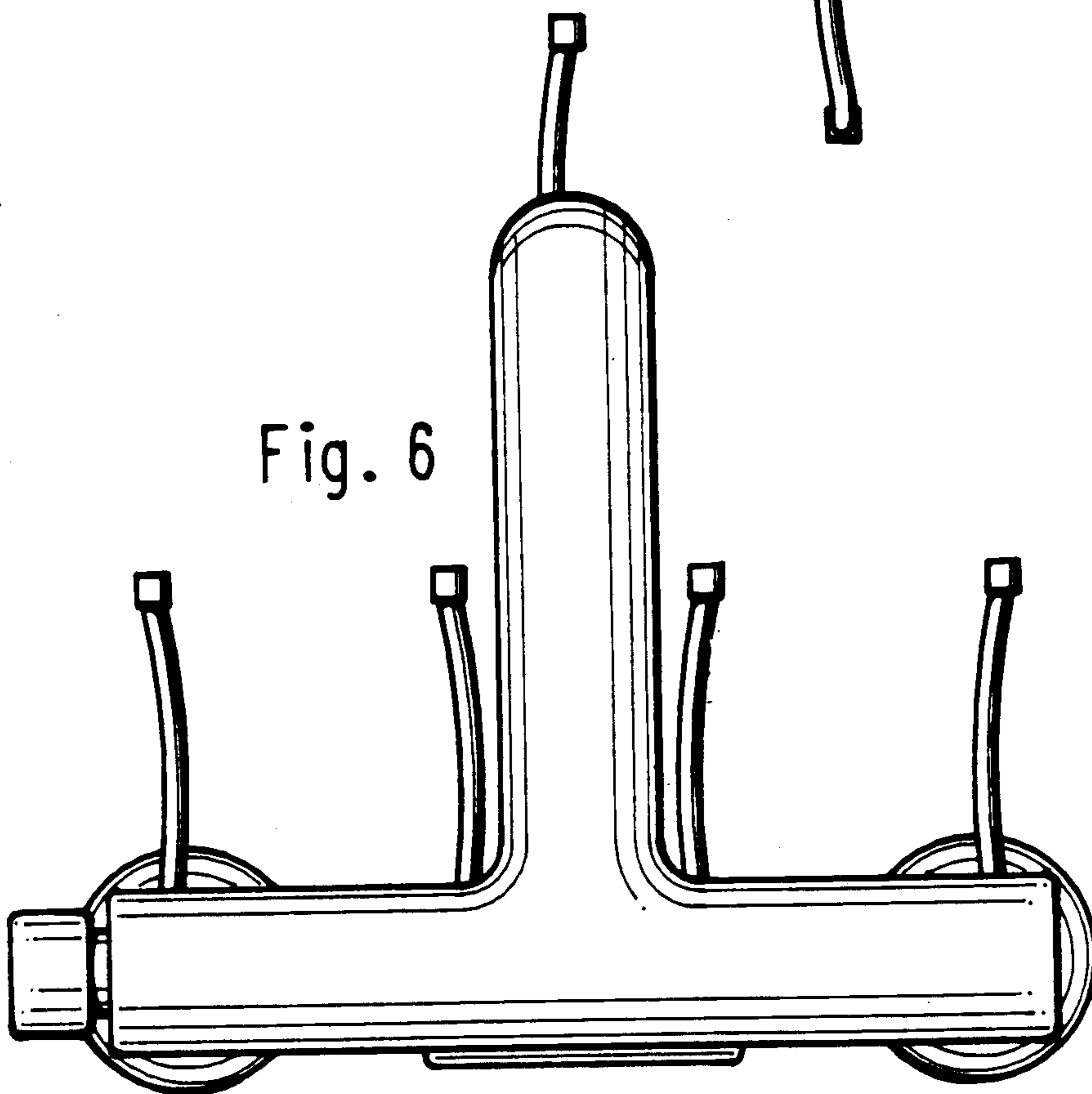


Fig. 6

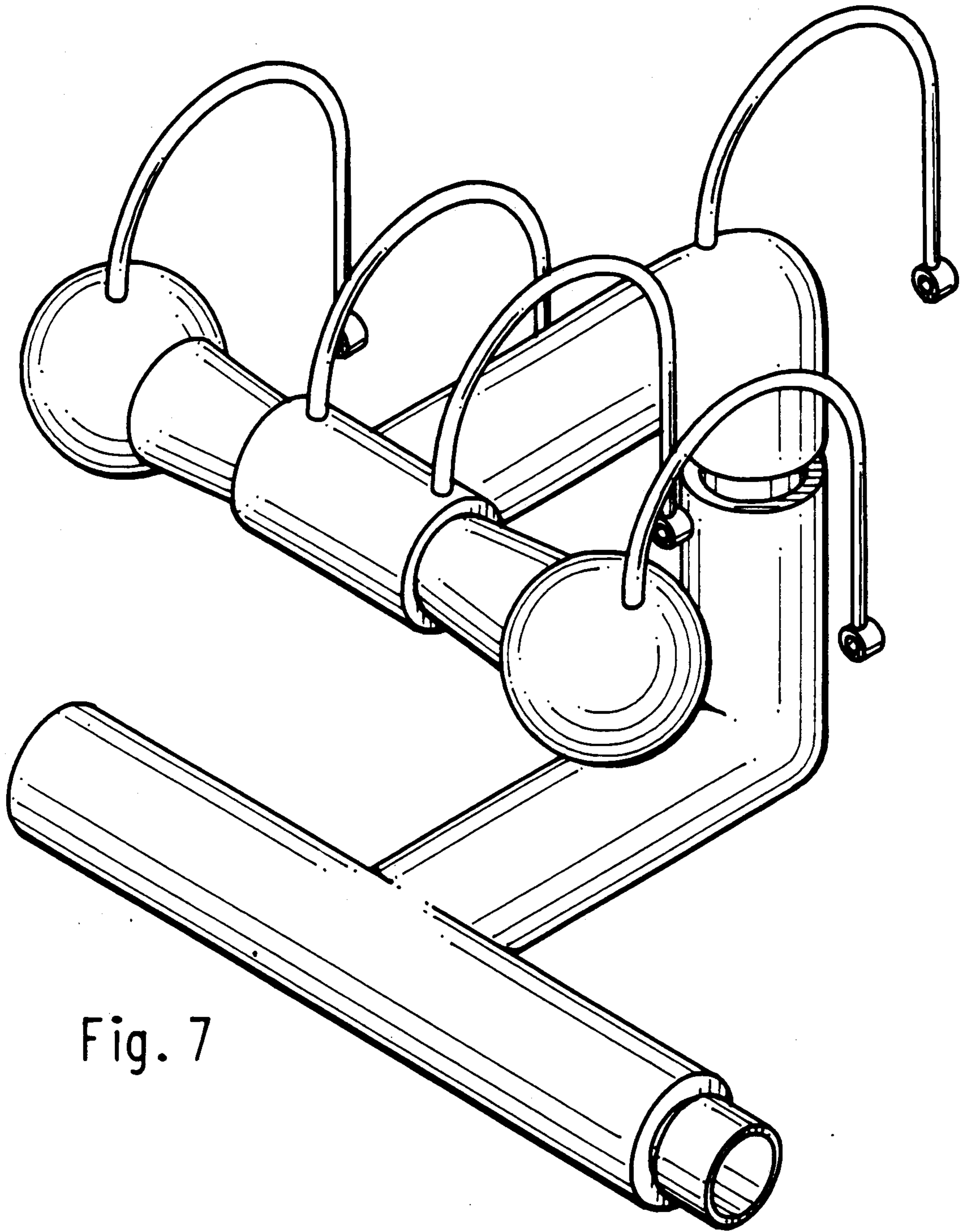


Fig. 7