

United States Patent [19]

[11] Patent Number: **Des. 318,710**

Sergi

[45] Date of Patent: **** Jul. 30, 1991**

[54] **FUEL LINE FILTER**

[76] Inventor: **Paul D. Sergi, 2351 Ravenna Rd., Hudson, Ohio 44236**

[**] Term: **14 Years**

[21] Appl. No.: **232,654**

[22] Filed: **Aug. 15, 1988**

[52] U.S. Cl. **D23/209**

[58] Field of Search **D23/200, 207-210; 210/437, 435, 416.4, 416.5, 85, 87-89, 416.1, 282, 281, 287-288, 222-223, 446-448, 117, 418; D10/96, 101, 102**

D. 232,551	8/1974	Grover	D23/209
D. 238,576	1/1976	Vidal	D23/209
D. 274,227	6/1984	Cain	D23/209 X
1,784,622	12/1930	Dardam	210/437 X
3,317,043	5/1967	Vanderpoel	210/448 X
4,601,820	7/1986	Leason	210/446 X

Primary Examiner—Susan J. Lucas
Assistant Examiner—M. H. Tung
Attorney, Agent, or Firm—Renner, Kenner, Greive, Bobak, Taylor & Weber

[57] **CLAIM**

The ornamental design for a fuel line filter, as shown and described.

[56] **References Cited**

U.S. PATENT DOCUMENTS

D. 130,007	10/1941	Ranney	D23/209
D. 131,144	1/1942	Howard	D23/209
D. 197,941	4/1964	Fortman	D23/207
D. 223,827	6/1972	Vecchi	D23/209

DESCRIPTION

FIG. 1 is a front elevational view of a fuel line filter showing my new design;
 FIG. 2 is a top plan view thereof;
 FIG. 3 is a side elevational view thereof;
 FIG. 4 is a bottom plan view thereof.

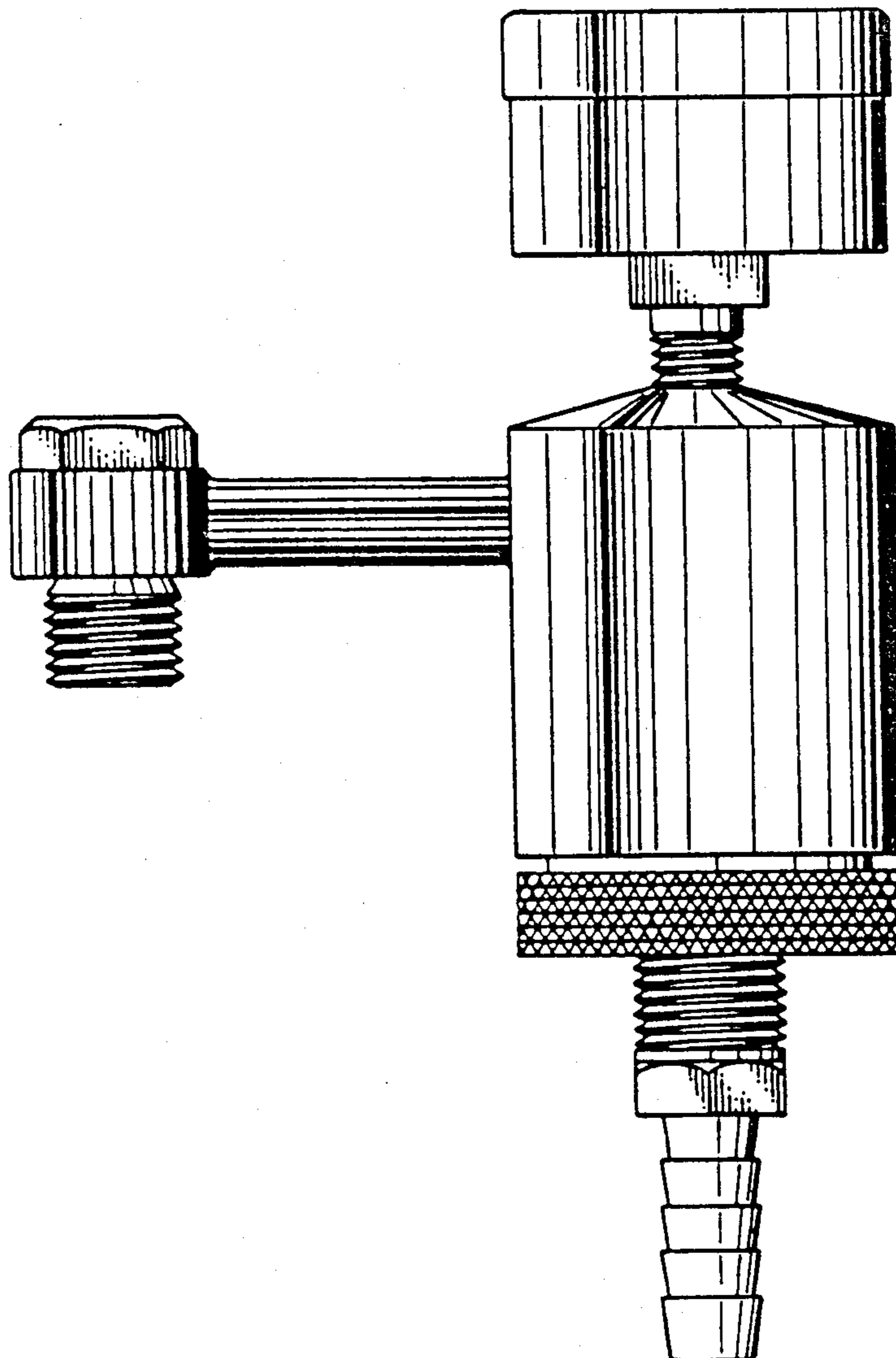


FIG.-1

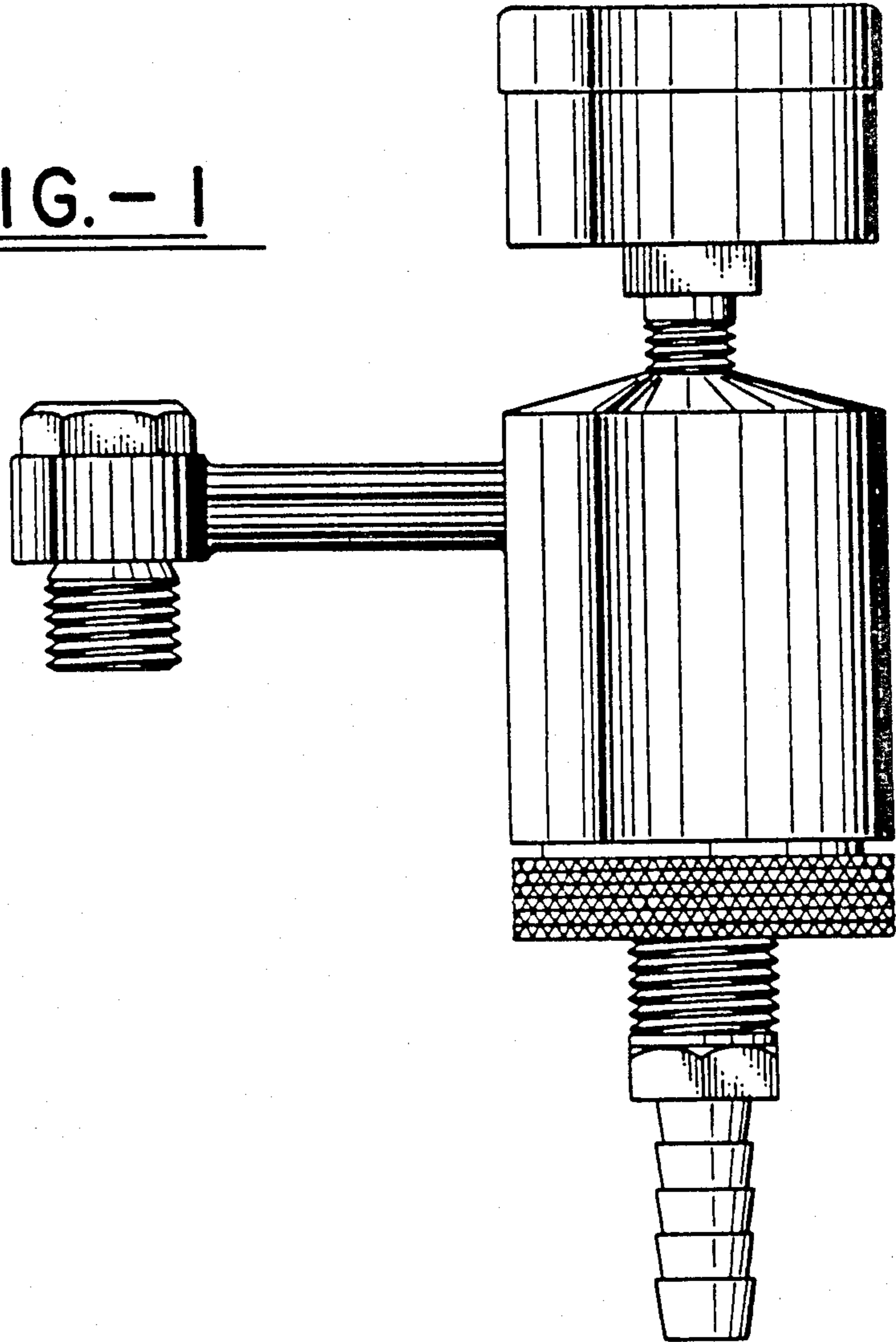


FIG.-2

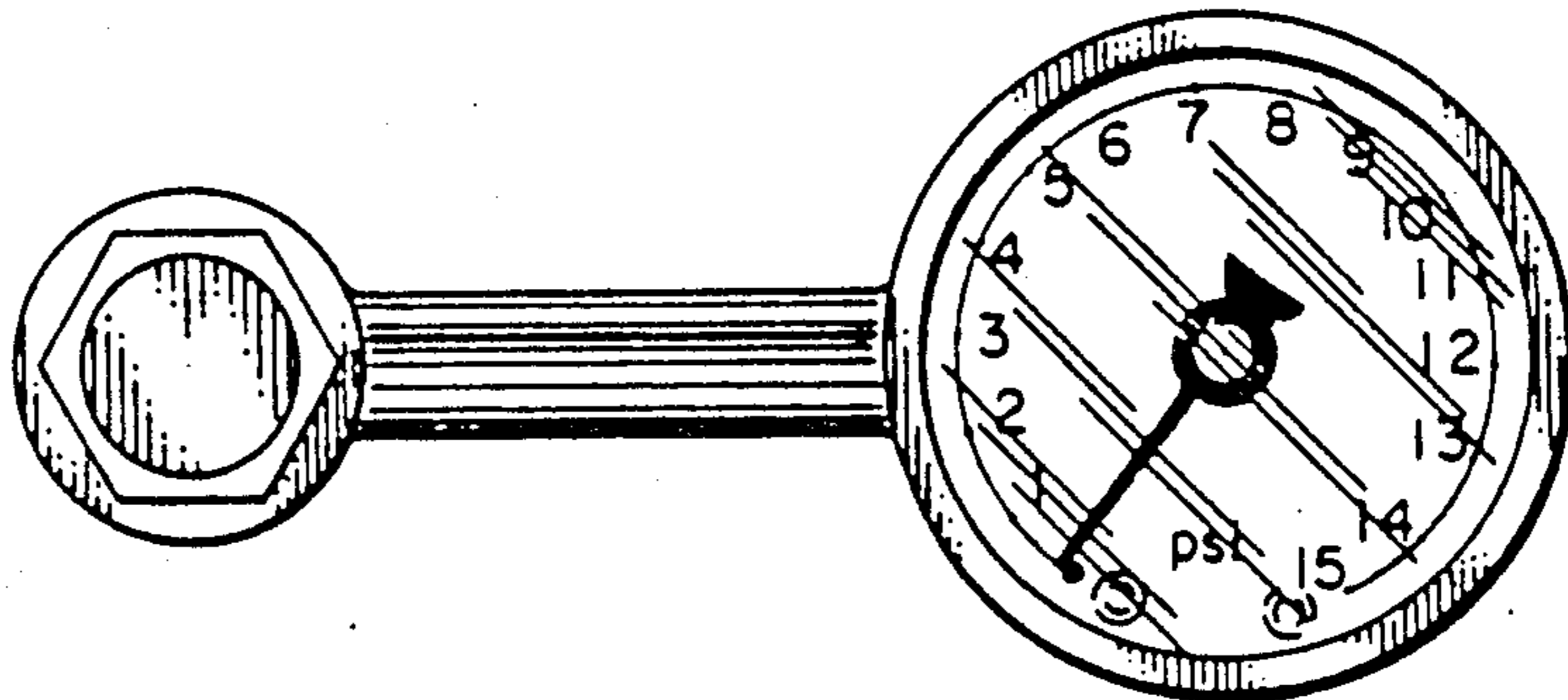


FIG.-3

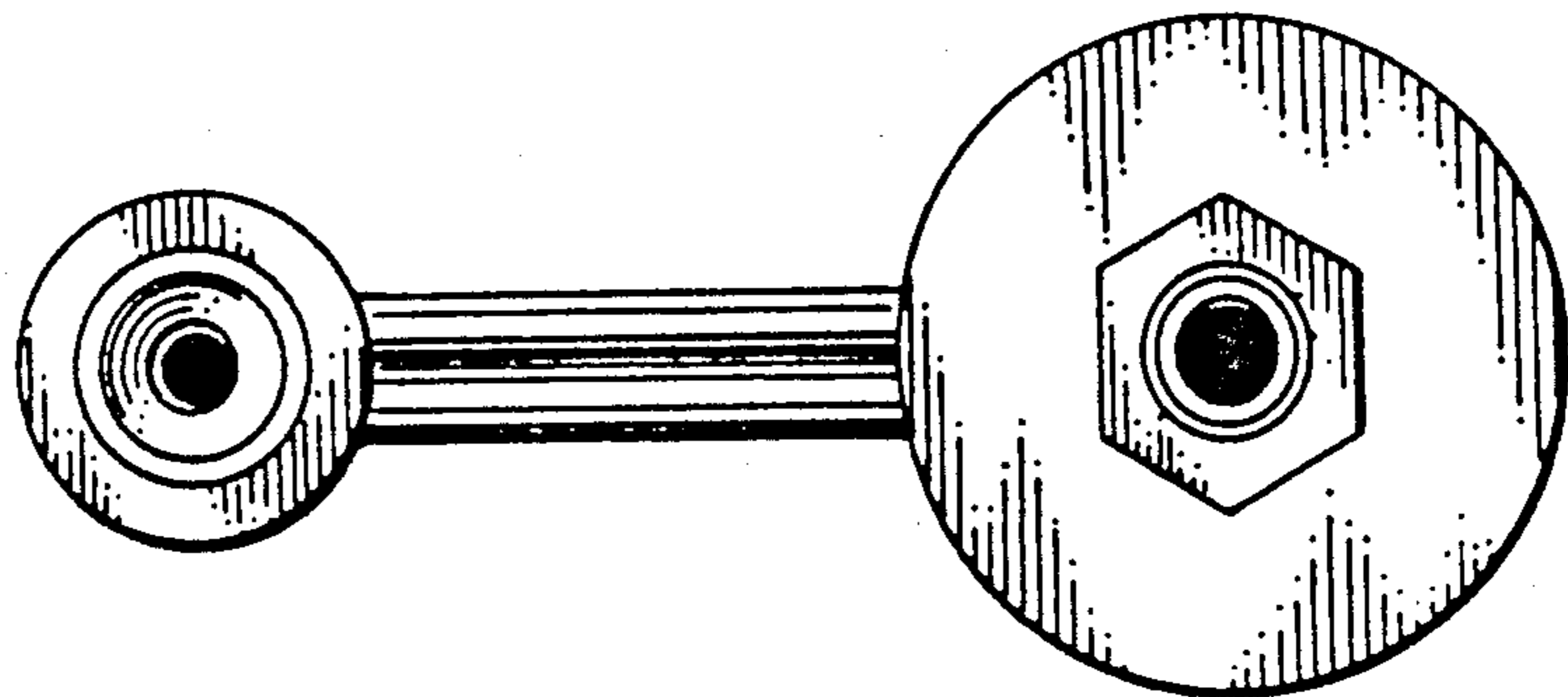
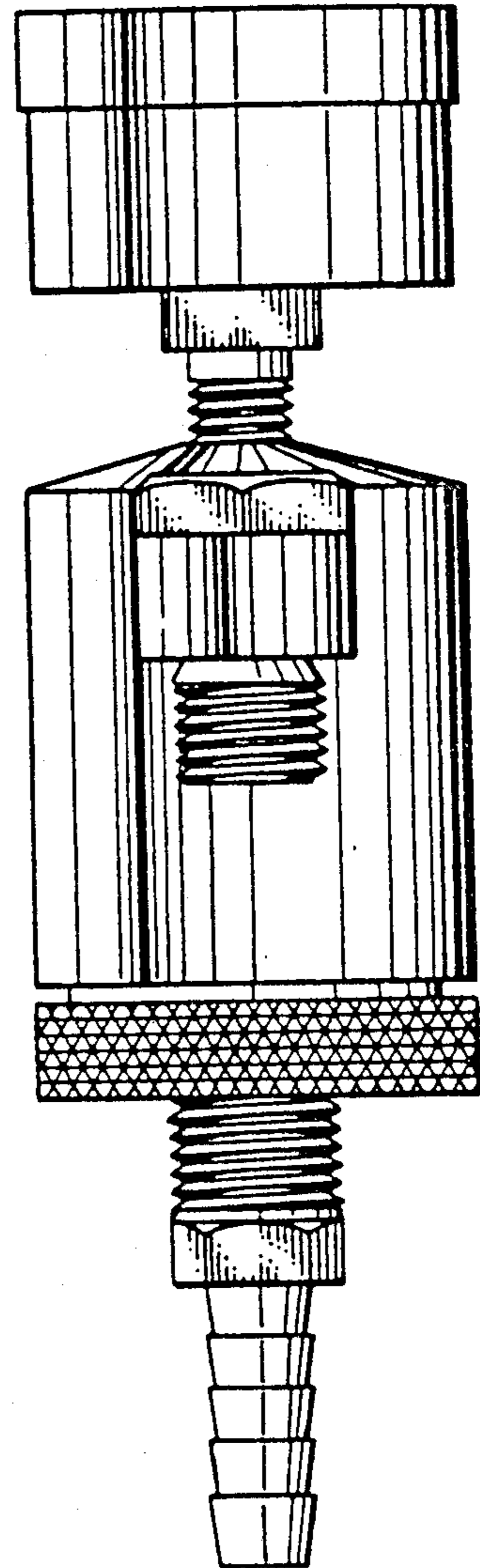


FIG.-4