

[54] BOW SIGHT LOCKING PAD

[76] Inventor: Theodore E. Barrow, 10129 Cavalier Ct., St. Louis, Mo. 63138

[\*\*] Term: 14 Years

[21] Appl. No.: 217,605

[22] Filed: Jul. 11, 1988

[52] U.S. Cl. .... D22/107; D8/373

[58] Field of Search ..... D22/107; 124/87, 88, 124/89; 33/241, 265; D25/119; D8/356, 354, 355, 373, 330, 339

[56] References Cited

U.S. PATENT DOCUMENTS

D. 295,655	5/1988	Stinson	.....	D22/107
3,574,944	4/1971	Reynolds	.....	33/265
4,317,288	3/1982	Yasui	.....	33/265
4,625,421	12/1986	Strauss	.....	33/265

4,704,800 11/1987 Stinson ..... 124/88 X  
4,715,126 12/1987 Holt ..... 33/265

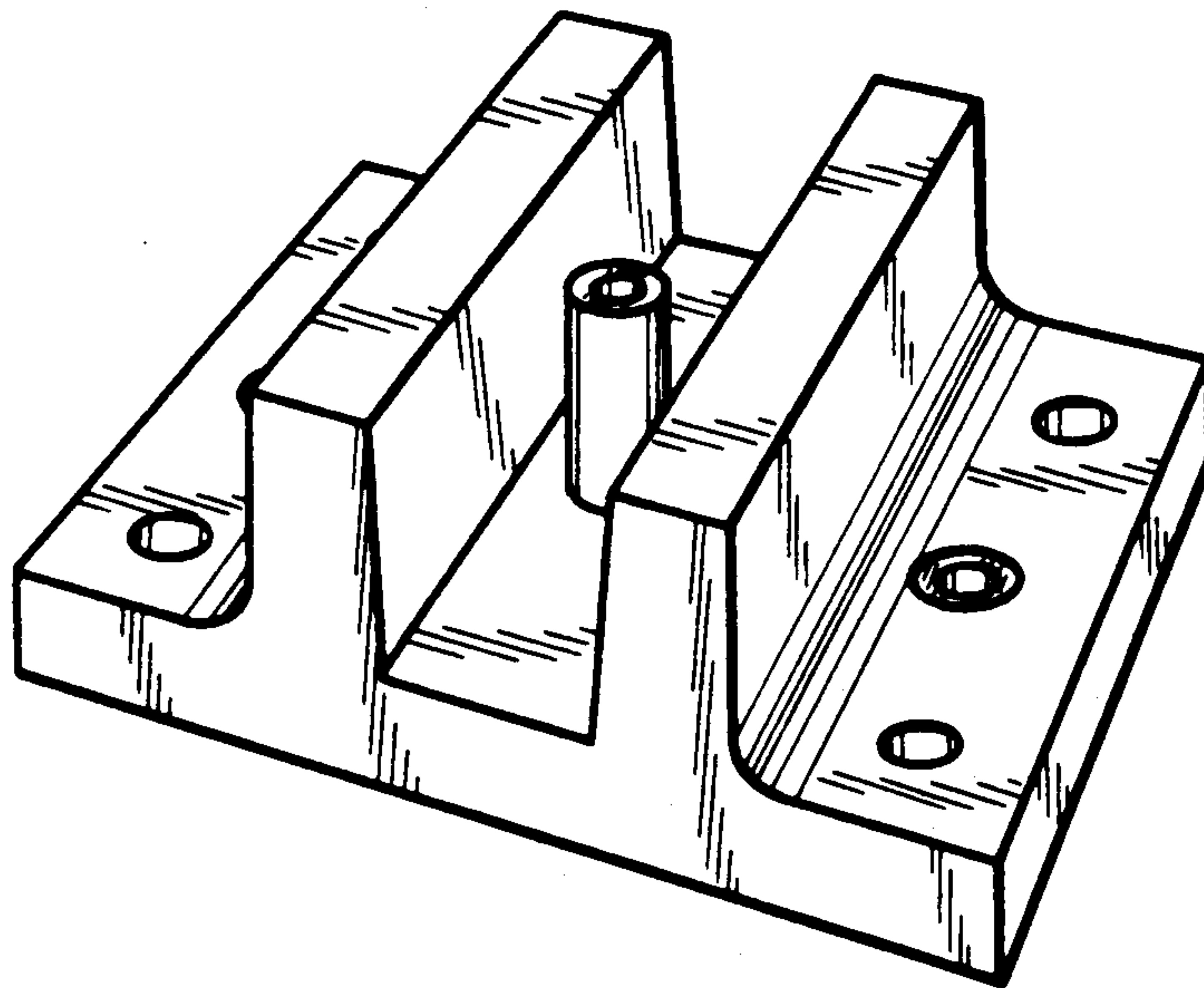
Primary Examiner—A. Hugo Word  
Assistant Examiner—Doris V. Coles  
Attorney, Agent, or Firm—Polster, Polster and Lucchesi

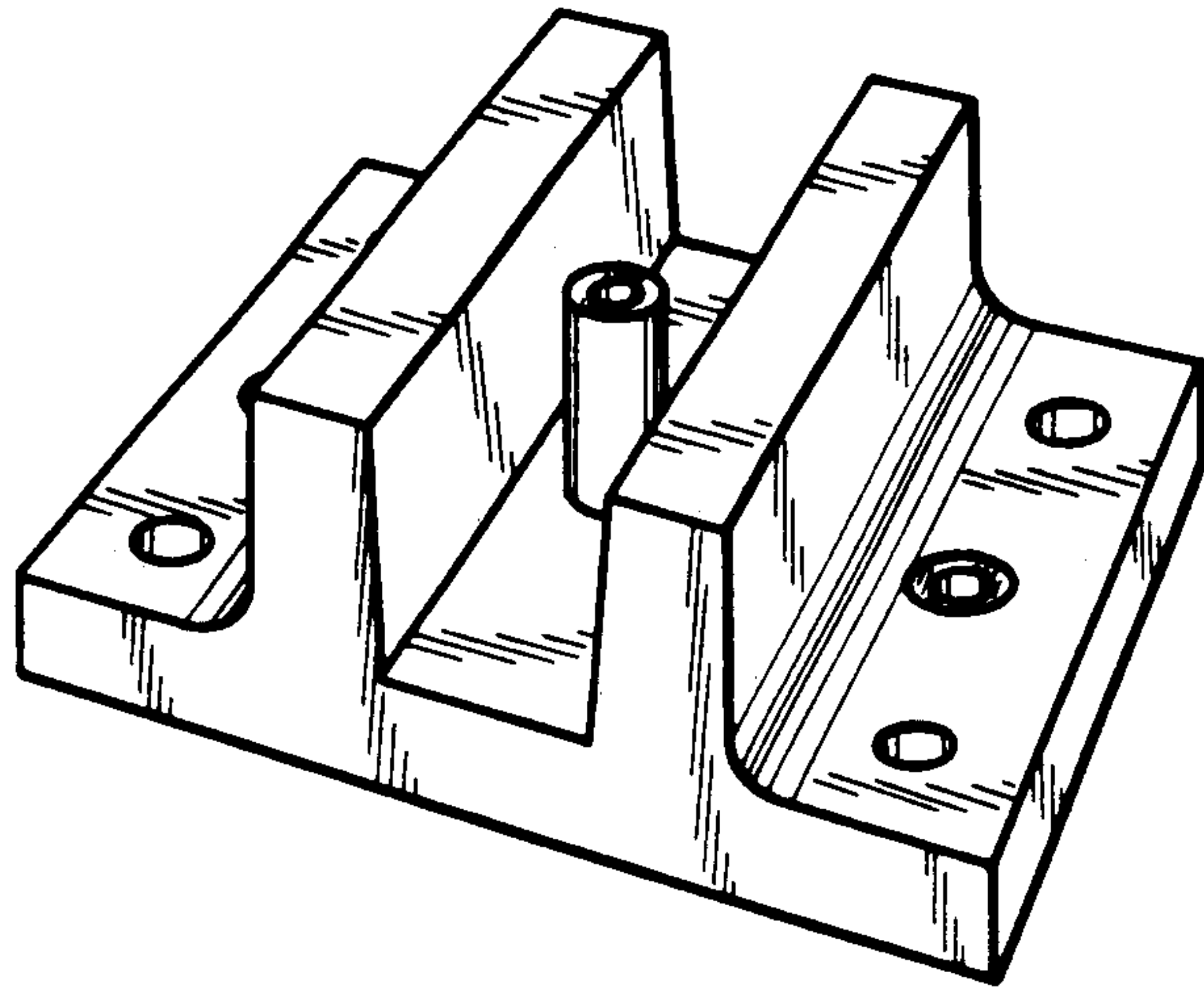
[57] CLAIM

The ornamental design for a bow sight locking pad, as shown and described.

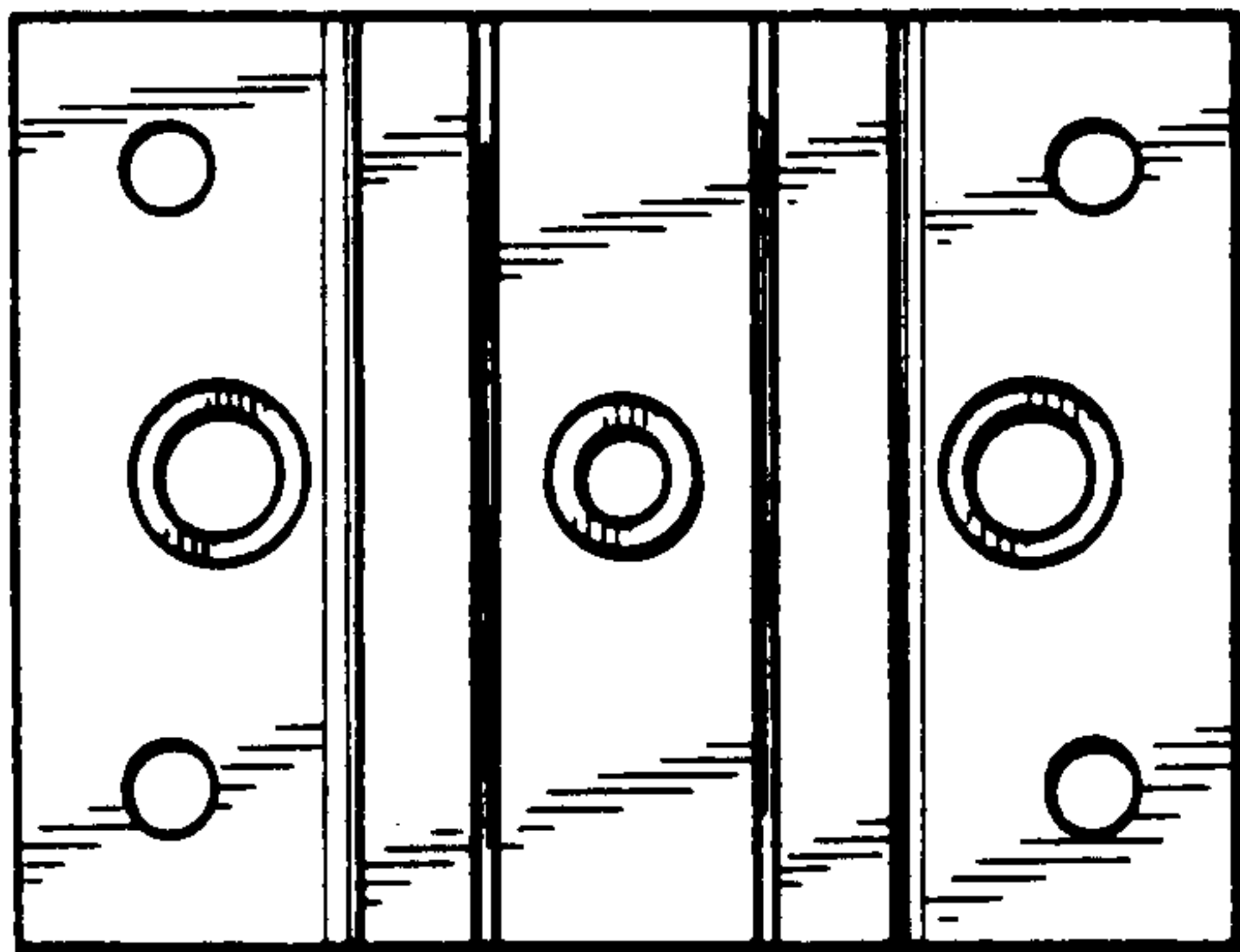
DESCRIPTION

FIG. 1 is a perspective view of a bow sight locking pad, showing my new design;  
FIG. 2 is a top plan view thereof;  
FIG. 3 is a bottom plan view thereof;  
FIG. 4 is a front elevational view, the rear being a mirror image thereof; and  
FIG. 5 is a right side elevational view, the left side being a mirror image thereof.

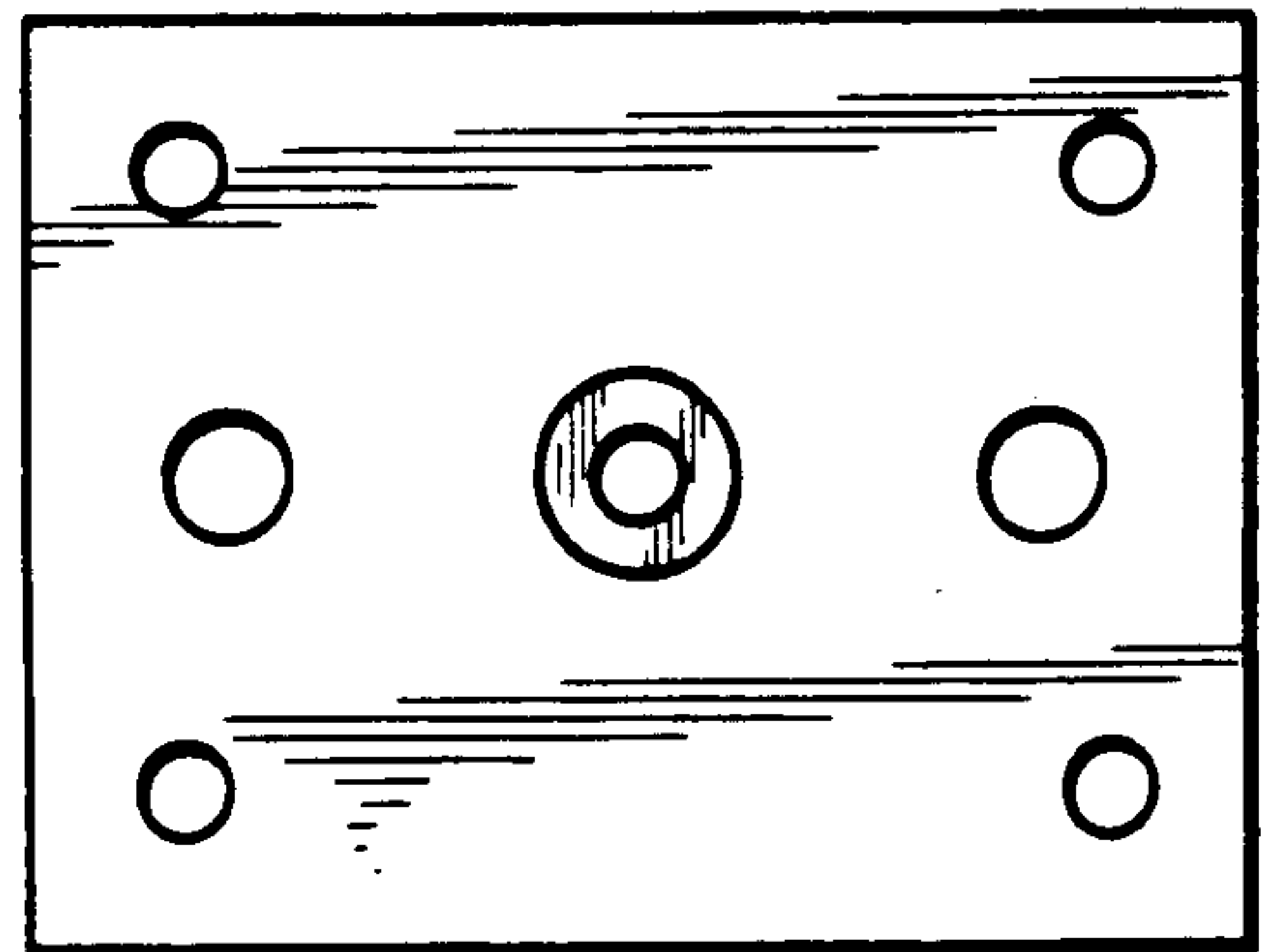




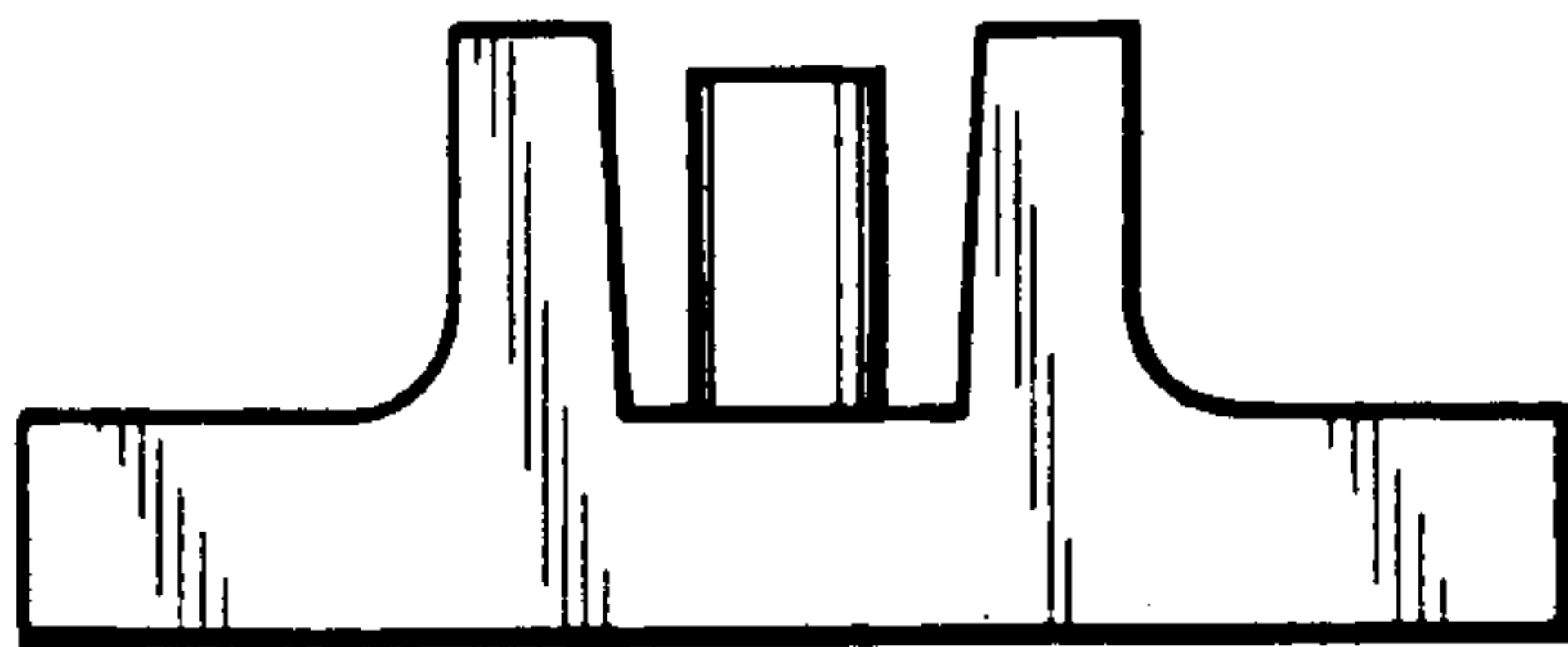
**FIG. 1**



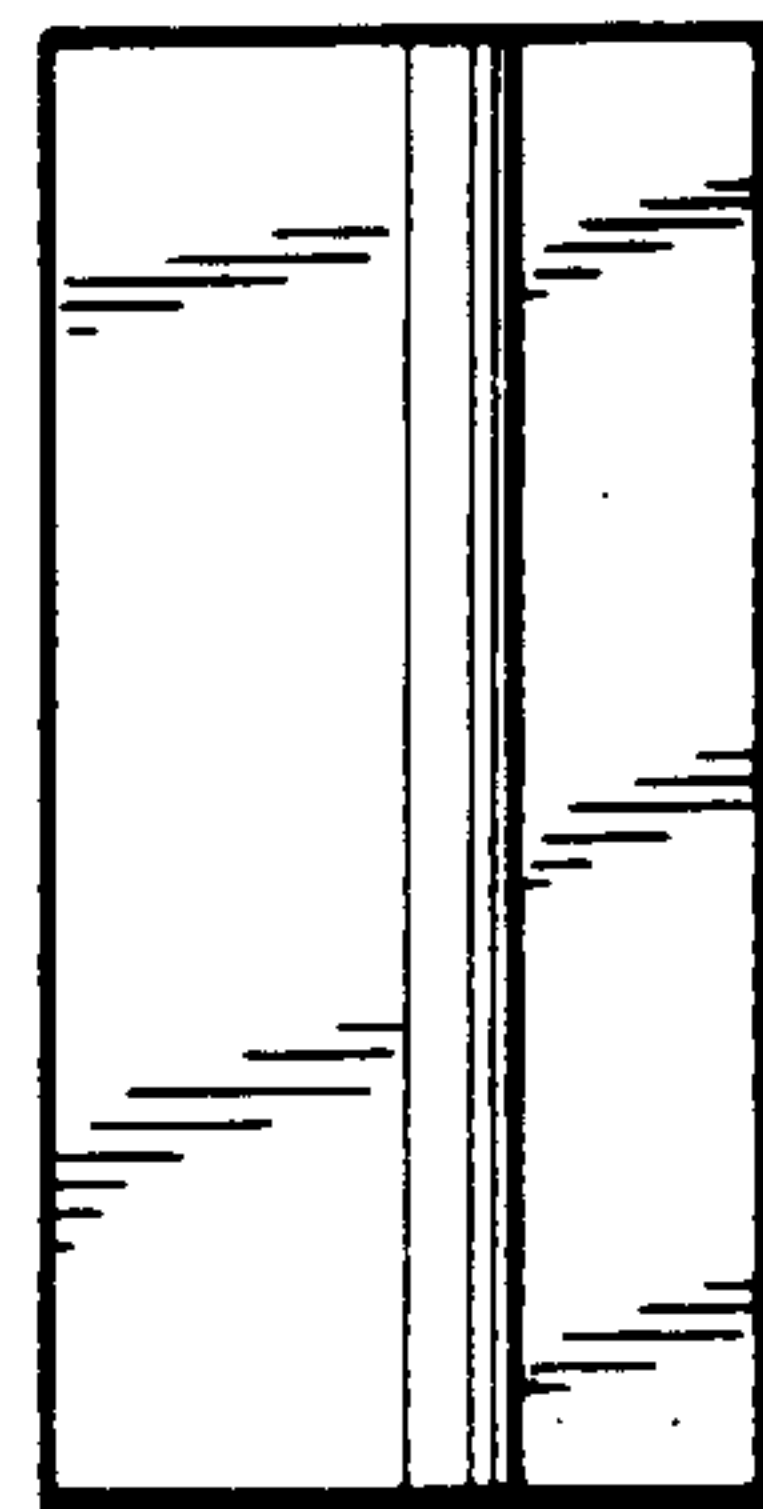
**FIG. 2**



**FIG. 3**



**FIG. 4**



**FIG. 5**

UNITED STATES PATENT AND TRADEMARK OFFICE  
**CERTIFICATE OF CORRECTION**

PATENT NO. : Des. 318,707  
DATED : July 30, 1991  
INVENTOR(S) : Theodore E. Barrow

It is certified that error appears in the above—identified patent and that said Letters Patent is hereby corrected as shown below:

Cover page, before "(\*\*) Term:" insert "(73) Assignee:  
Centerline Archery Products, Inc.  
111 Taylor Road  
Hazelwood, Missouri 63042"

**Signed and Sealed this  
Ninth Day of February, 1993**

*Attest:*

STEPHEN G. KUNIN

*Attesting Officer*

*Acting Commissioner of Patents and Trademarks*