

[54] **GOLF PUTTER HEAD**

[76] **Inventor: Lawrence Y. Igarashi, 25532 Rapid Falls Rd., Laguna Hills, Calif. 92653**

[**] **Term: 14 Years**

[21] **Appl. No.: 301,741**

[22] **Filed: Jan. 25, 1989**

[52] **U.S. Cl. D21/219**

[58] **Field of Search D21/214-220; 273/167-175, 164**

[56] **References Cited**

U.S. PATENT DOCUMENTS

- D. 213,507 3/1969 Koenig D21/217
- D. 306,629 3/1990 Shearer D21/219
- 2,954,231 9/1960 MacIntyre 273/167 G

OTHER PUBLICATIONS

B & W Golf Supply Co., 1966-67 Cat., p. 15, center, putter No. 17.

Primary Examiner—Melvin B. Feifer
Attorney, Agent, or Firm—Roberts and Quiogue

[57] **CLAIM**

The ornamental design for a golf putter head, as shown and described.

DESCRIPTION

FIG. 1 is a perspective frontal view of a golf putter head showing my new design.

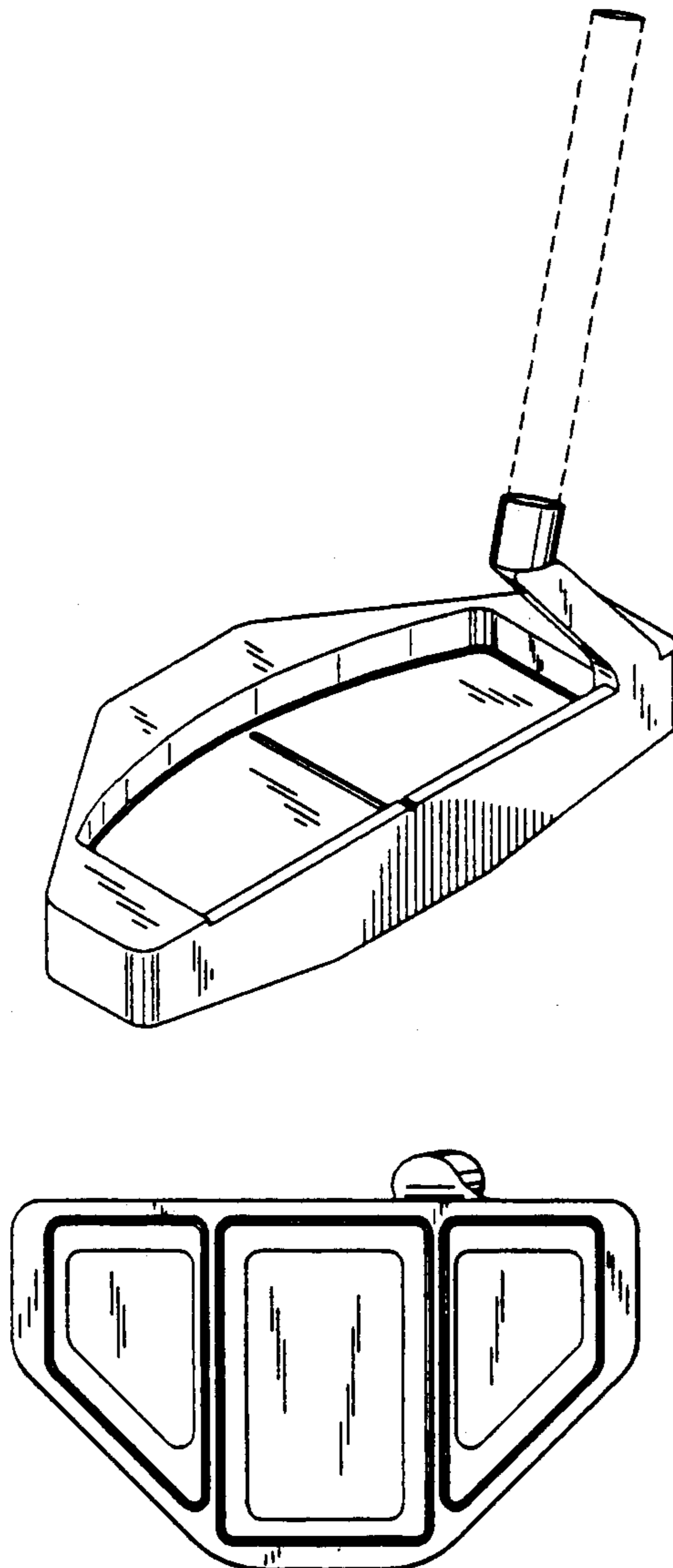
FIG. 2 is a top plan view.

FIG. 3 is a bottom plan view.

FIG. 4 is a frontal elevation view.

FIG. 5 is a rear view opposite from FIG. 4.

The partial broken line showing of a shaft is for illustrative purposes only.



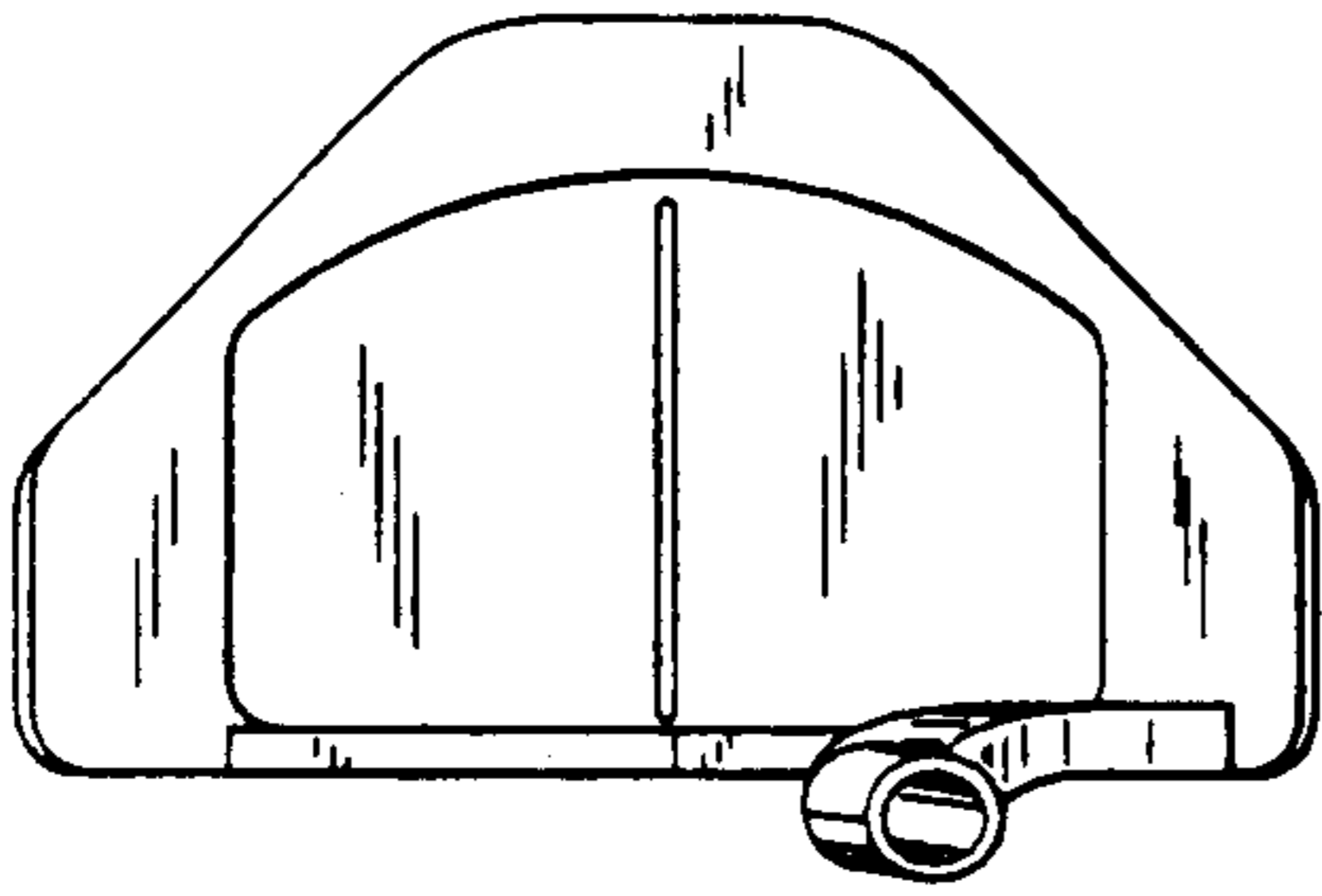


FIG. 2

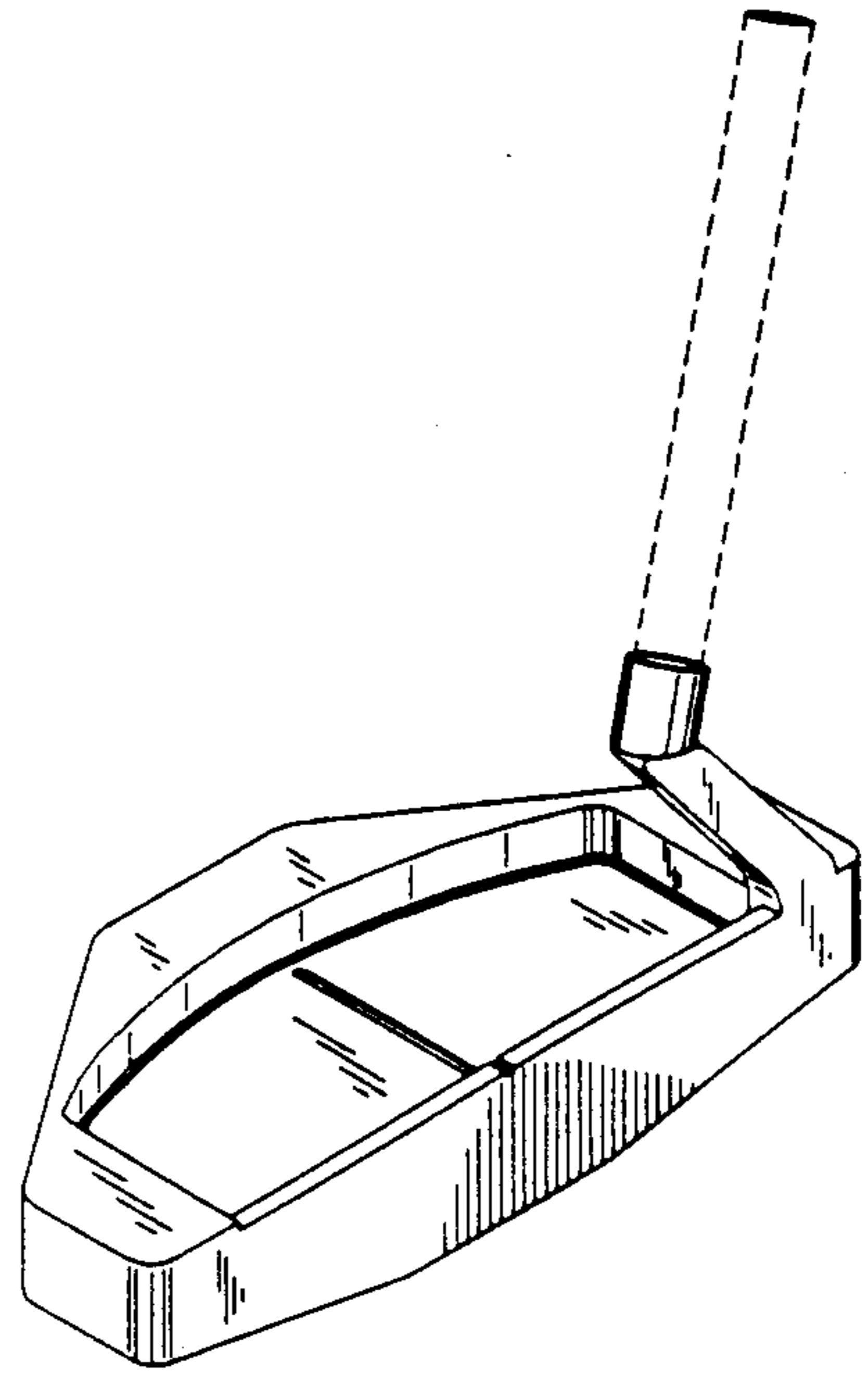


FIG. 1

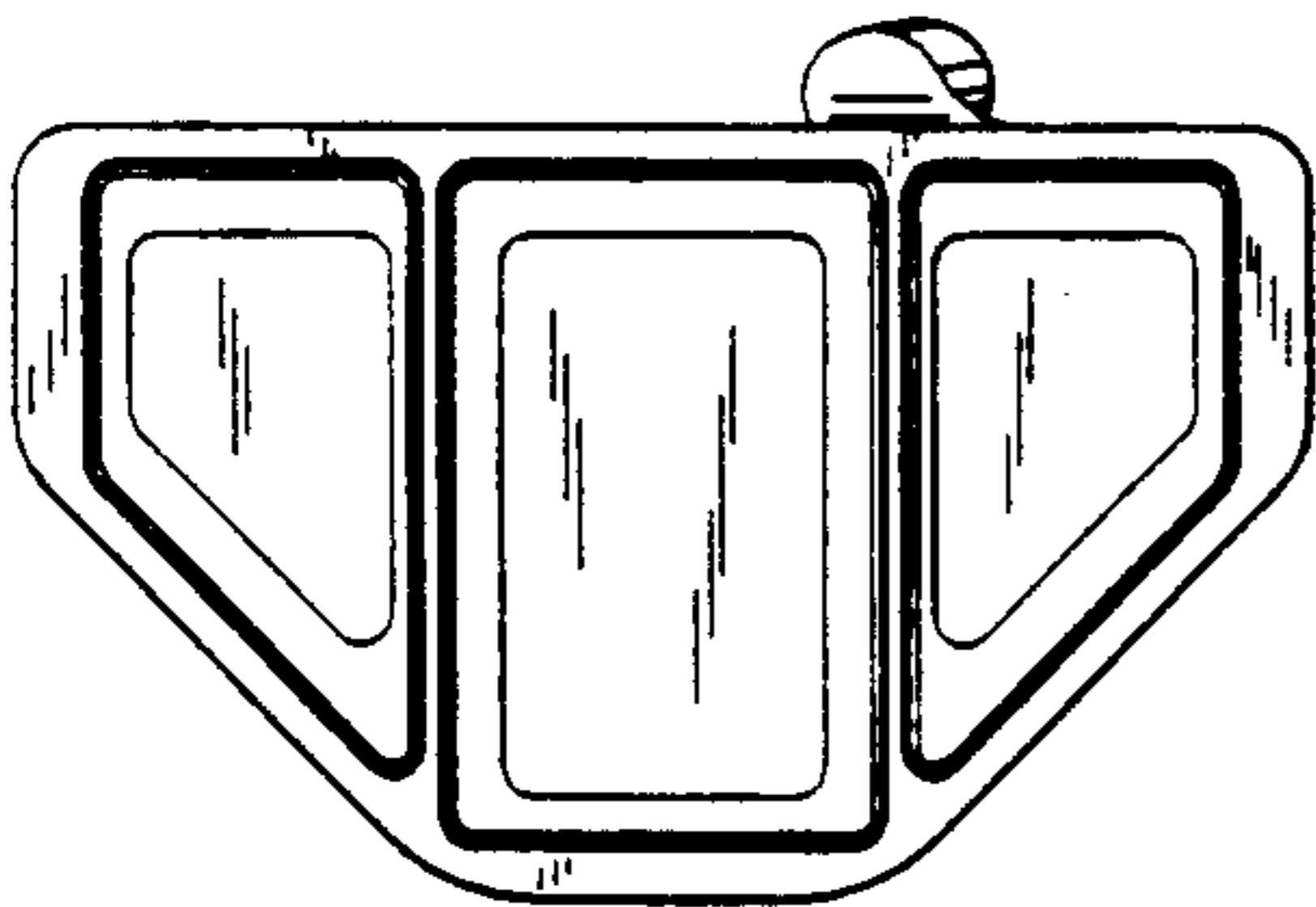


FIG. 3

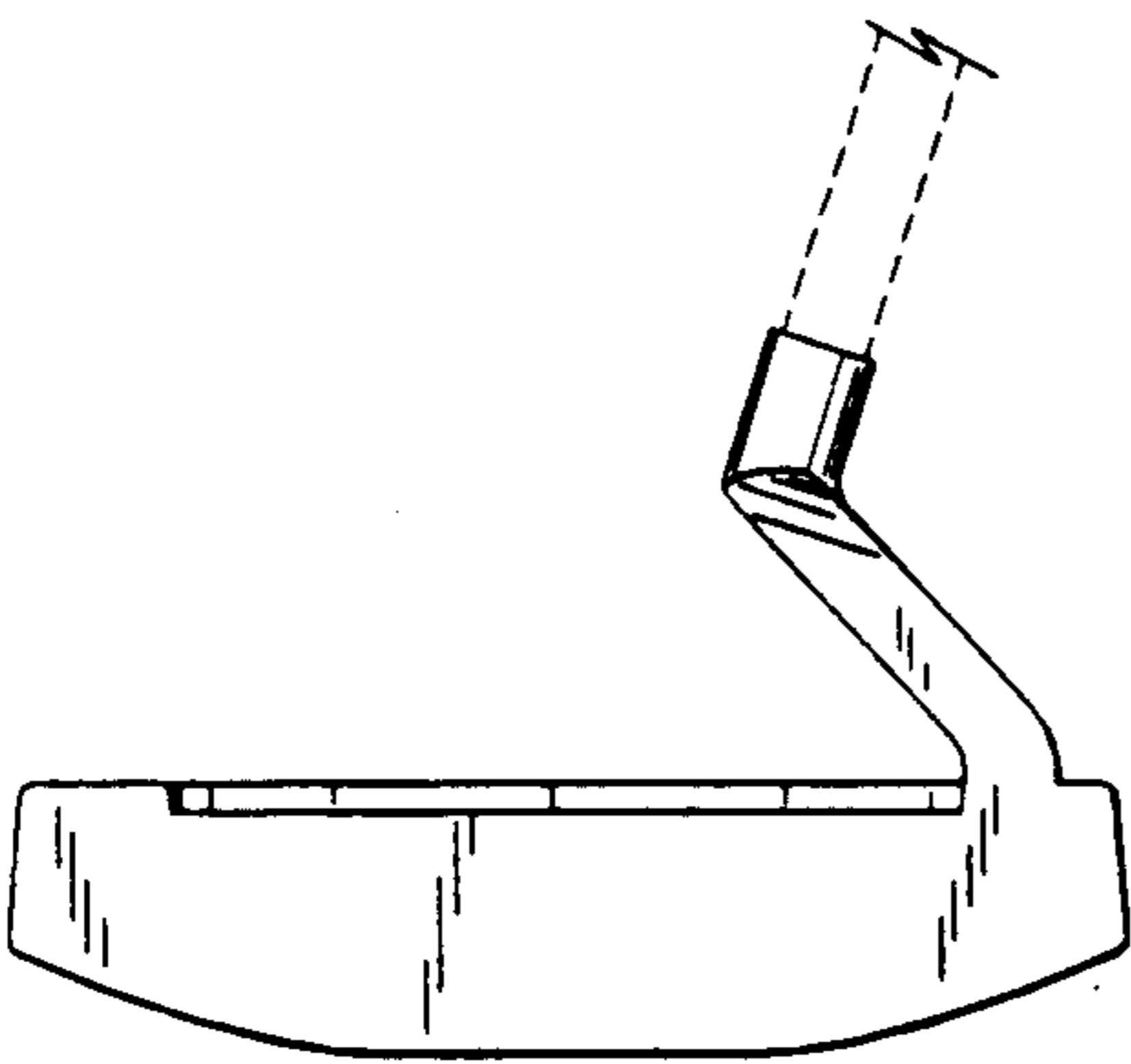


FIG. 4

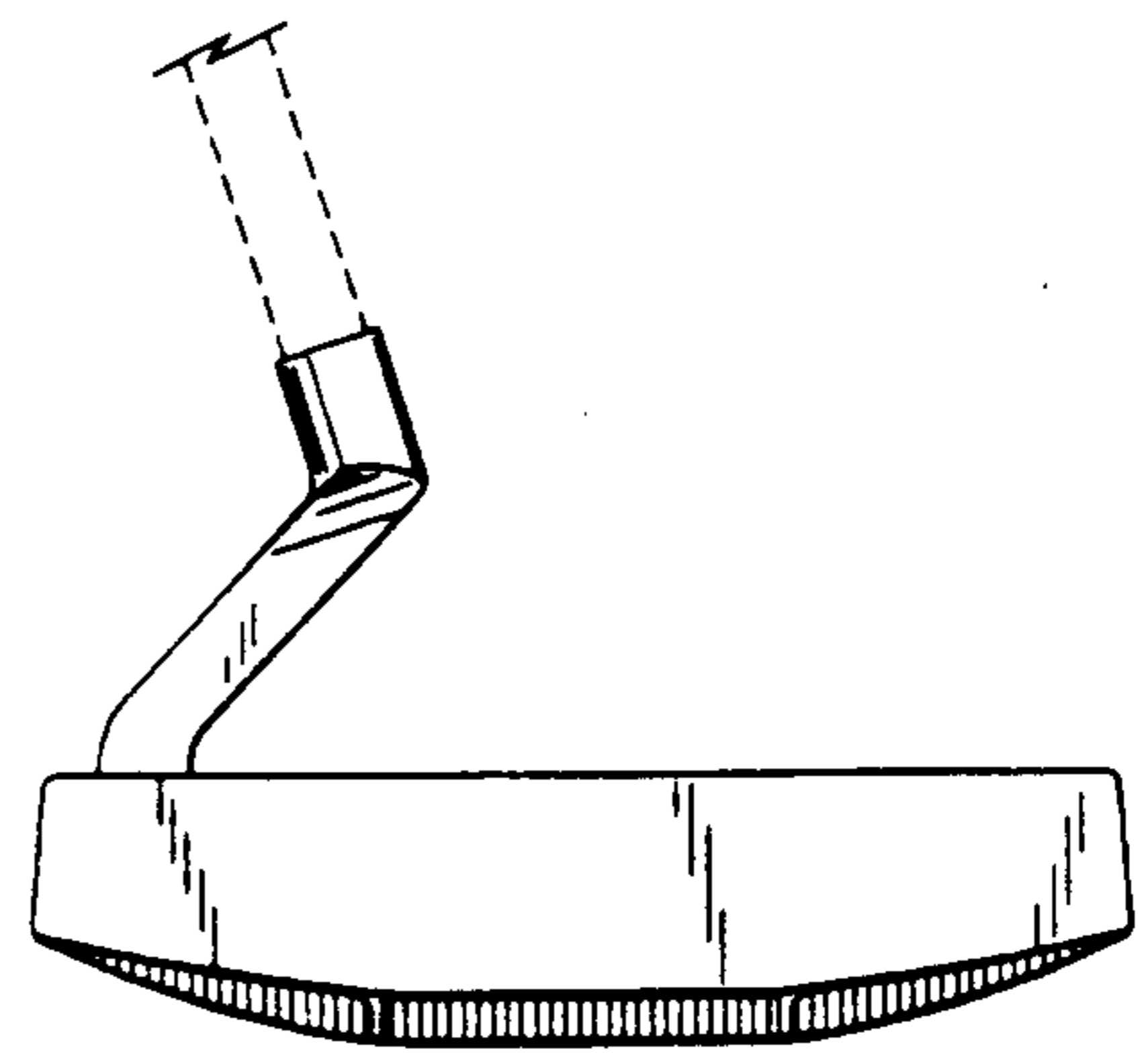


FIG. 5