

United States Patent [19]

Antonious

[11] Patent Number: Des. 318,701

[45] Date of Patent: ** Jul. 30, 1991

[54] **WOOD TYPE GOLF CLUB HEAD**

[76] Inventor: **Anthony J. Antonious**, 205 E. Joppa Rd., Towson, Md. 21204

[**] Term: **14 Years**

[21] Appl. No.: **922,140**

[22] Filed: **Oct. 22, 1986**

[52] U.S. Cl. **D21/214**

[58] Field of Search **D21/214; 273/167-175, 273/163 R, 77 R**

[56] **References Cited**

U.S. PATENT DOCUMENTS

D. 83,077 1/1931 Sussams D21/220
3,126,206 3/1964 Sabia 273/167 R

Primary Examiner—Melvin B. Feifer
Attorney, Agent, or Firm—N. J. Aquilino

[57] **CLAIM**

The ornamental design for a wood type club head, as shown and described.

DESCRIPTION

FIG. 1 is a perspective view of the wood type golf club head showing my new design.

FIG. 2 is a front elevational view thereof.

FIG. 3 is a top plan view thereof.

FIG. 4 is a side elevational view thereof.

FIG. 5 is a rear elevational view thereof.

FIG. 6 is a bottom view thereof.

FIG. 7 is a side elevational view taken from the opposite side of FIG. 4.

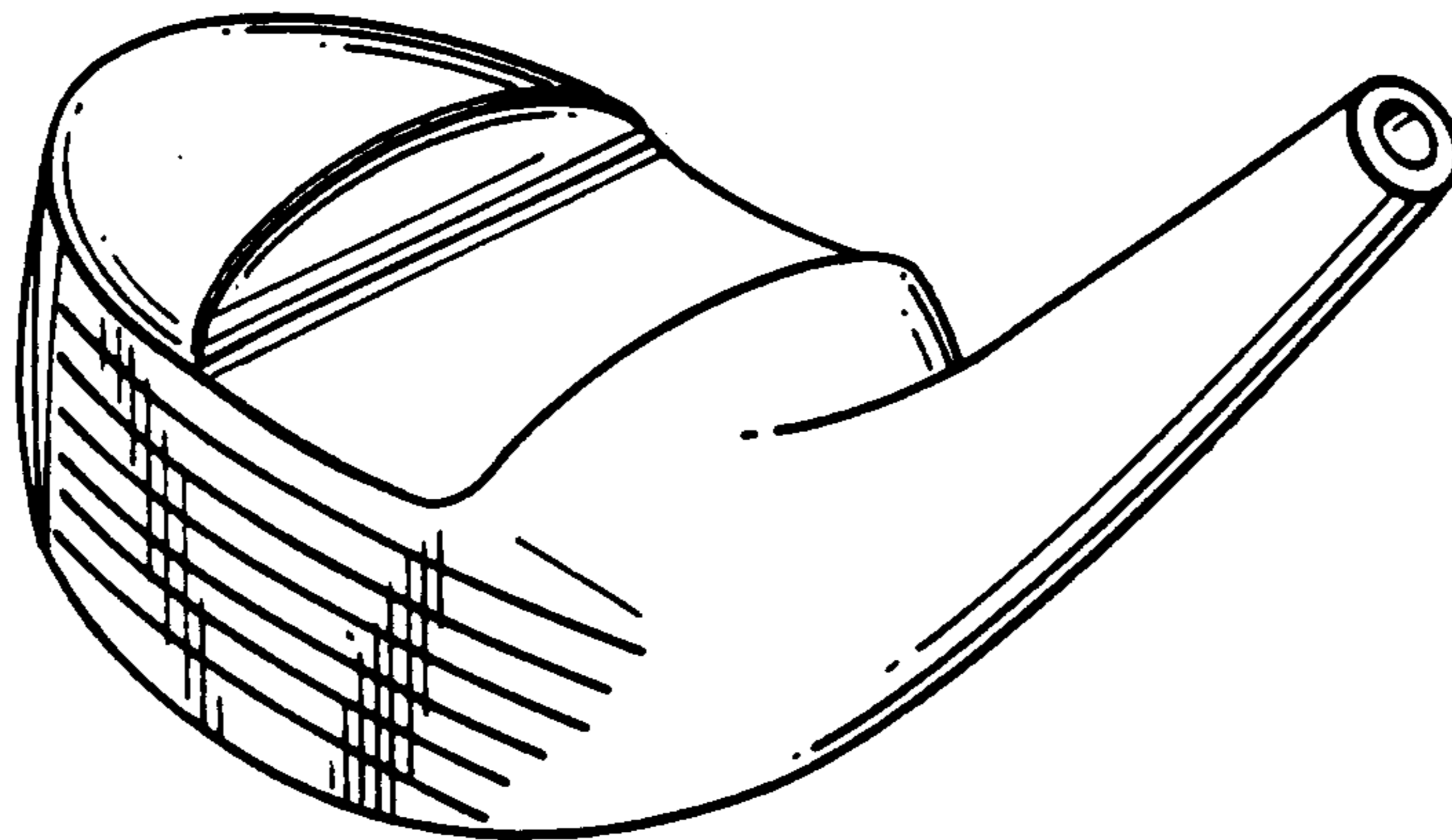


FIG. 1

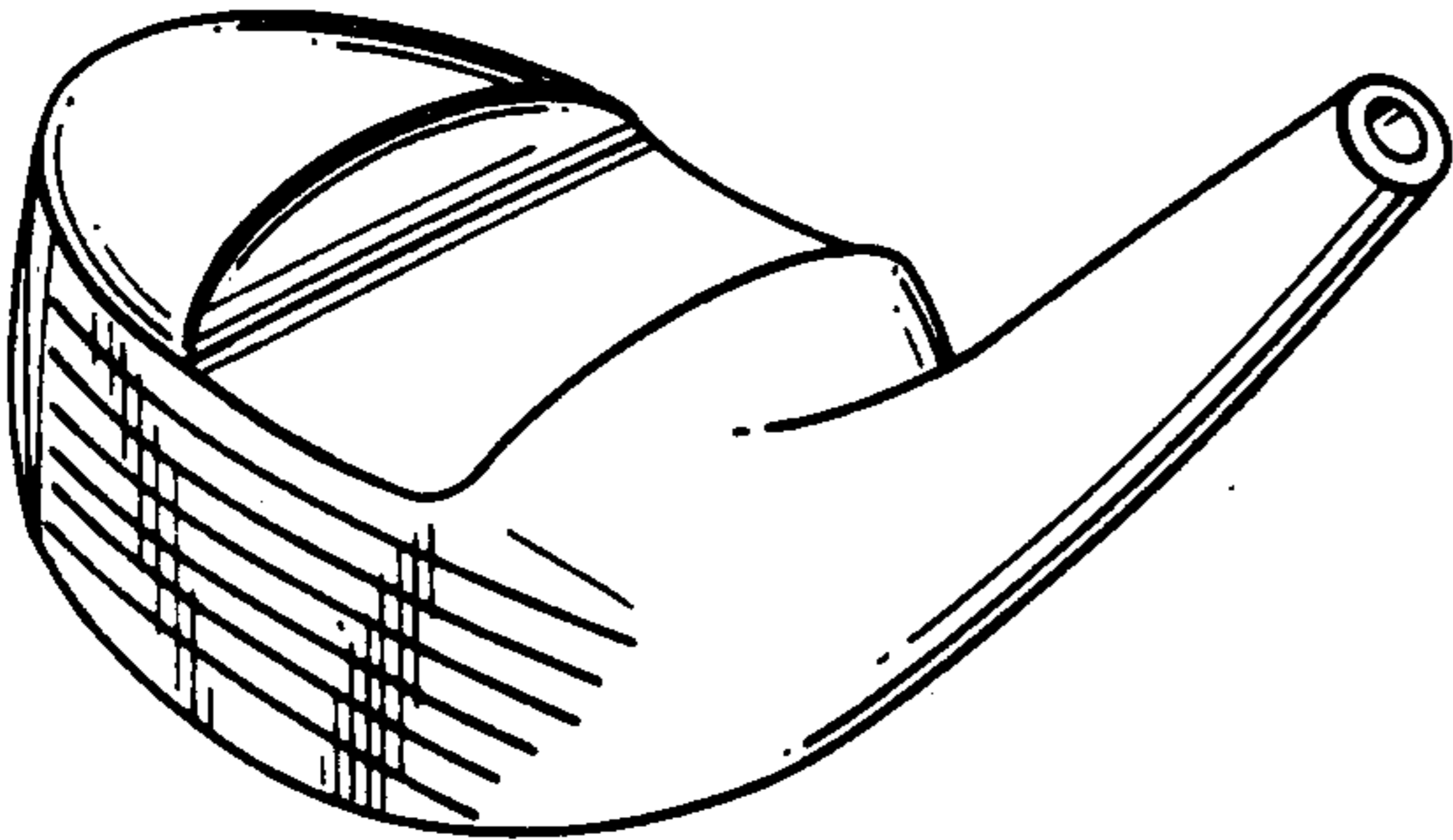


FIG. 2

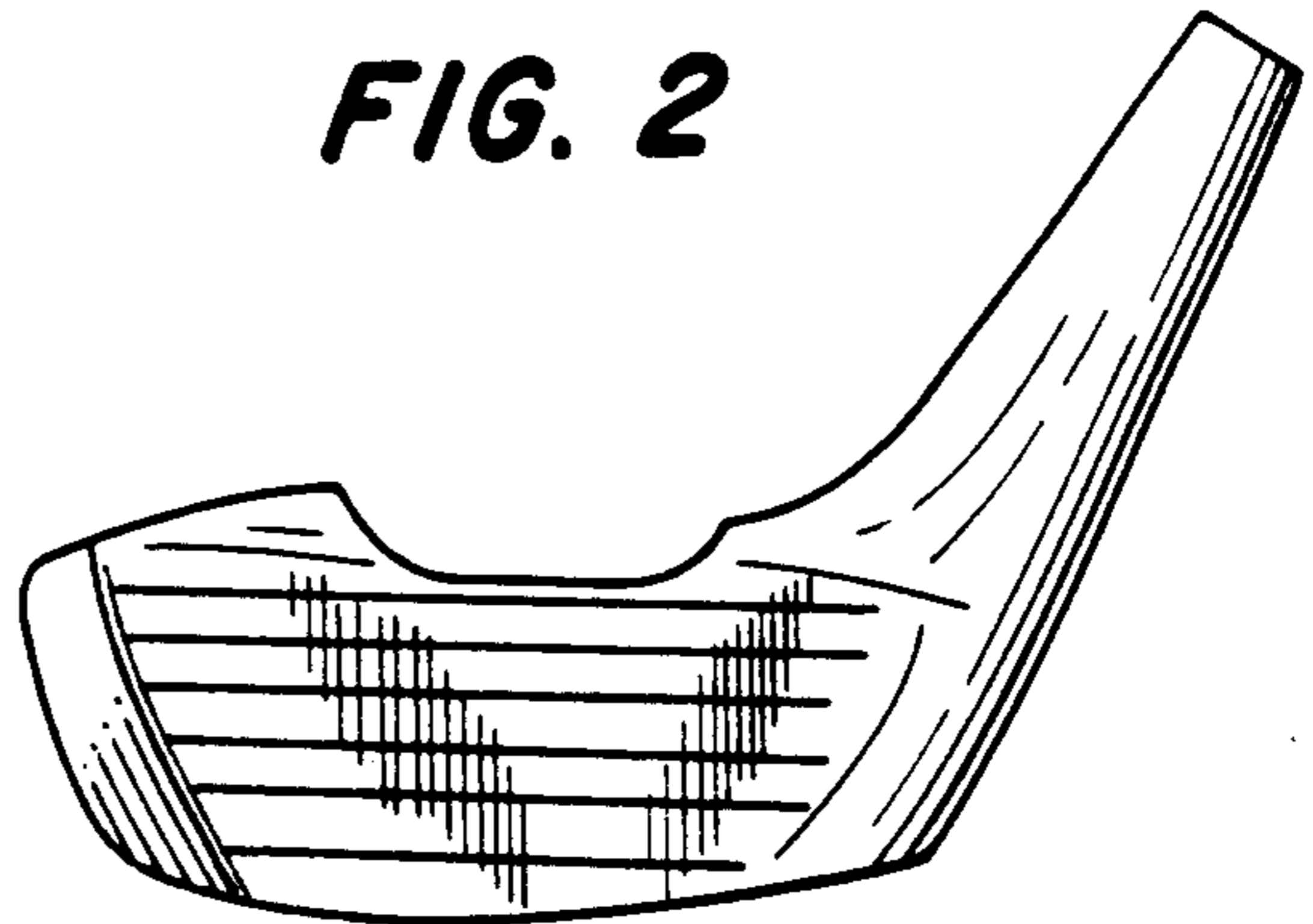


FIG. 3

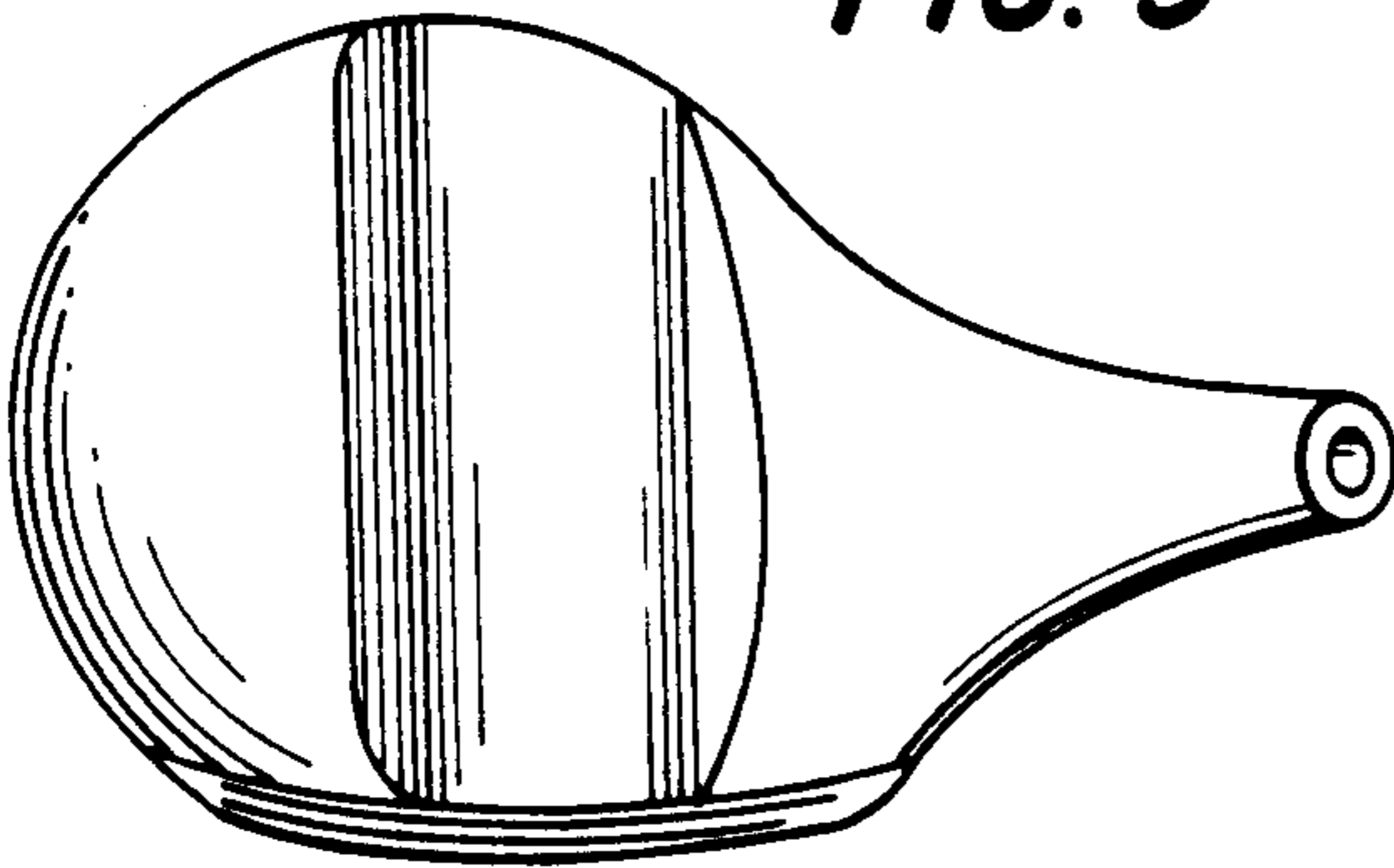


FIG. 4

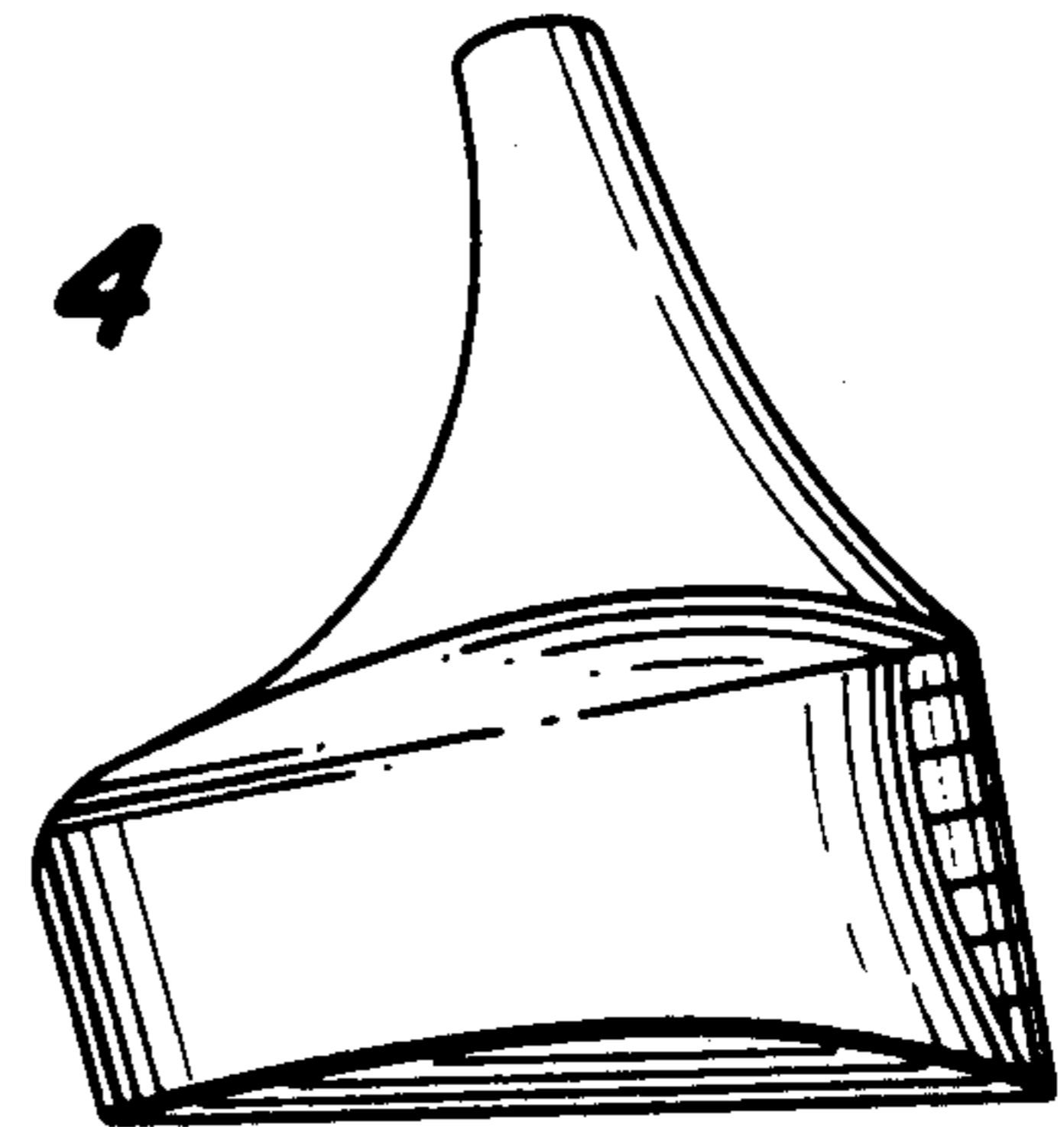


FIG. 6

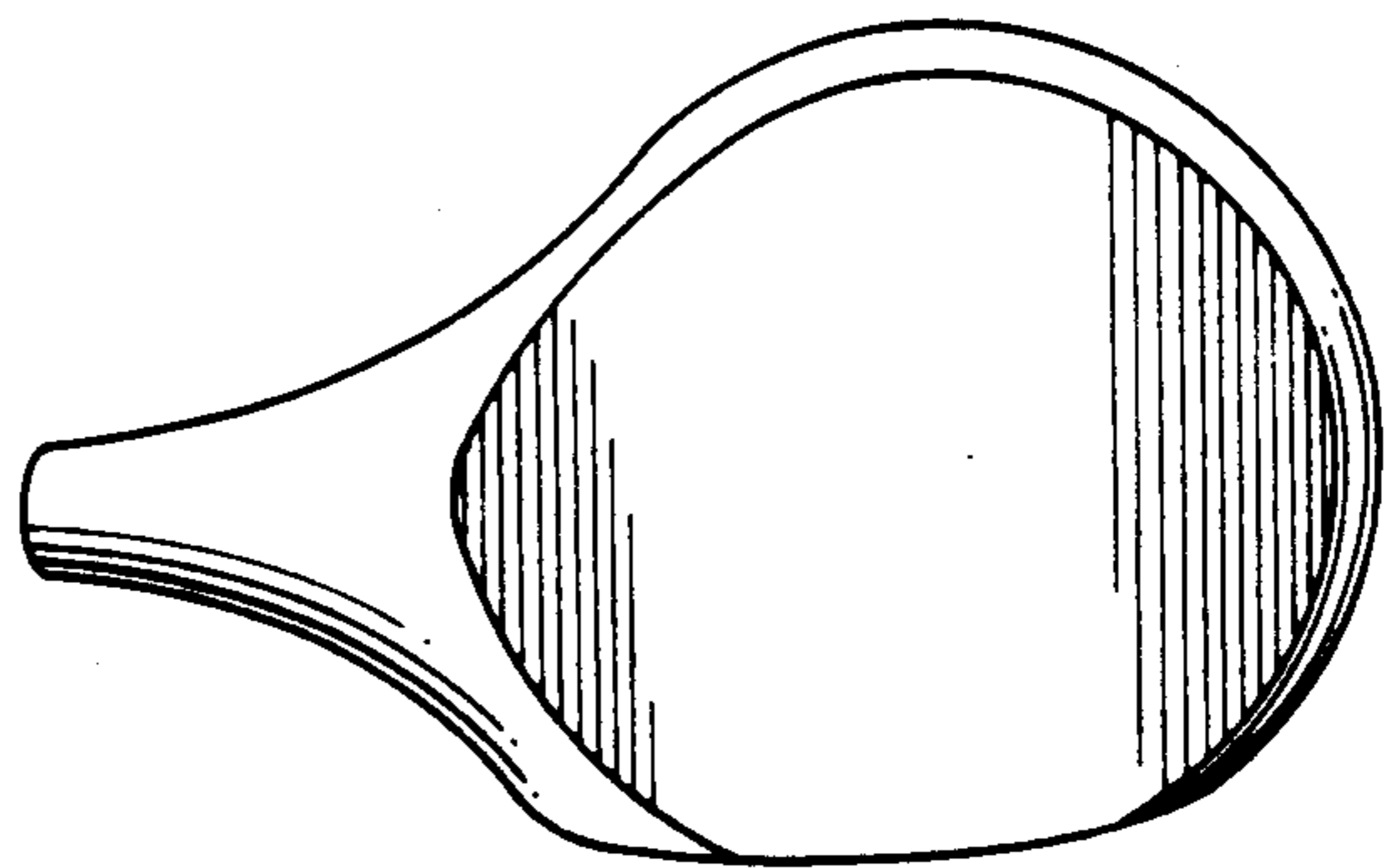


FIG. 5

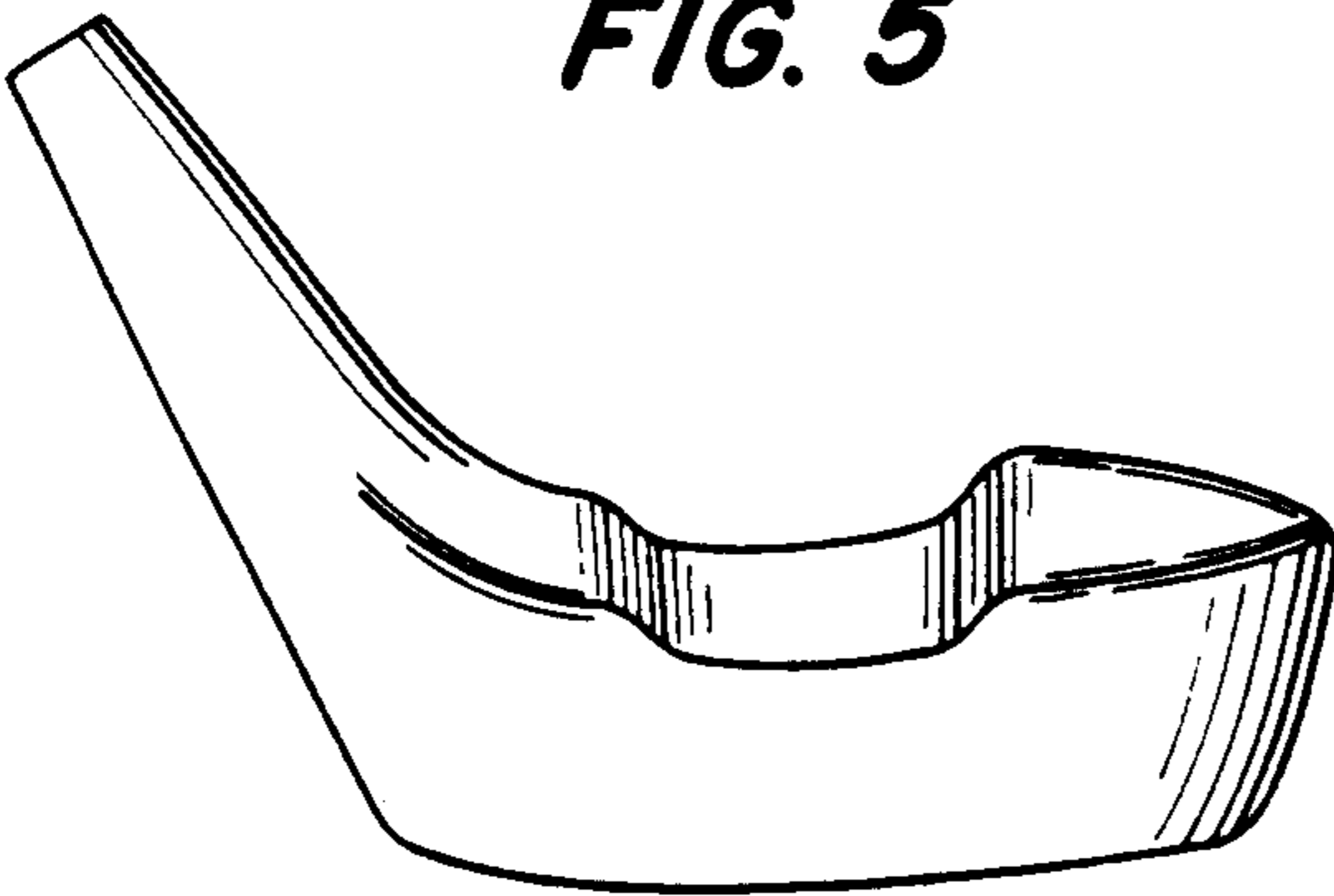


FIG. 7

