

[54] DUMBBELL

[76] Inventor: Raymond L. Davis, 13225 SW. Brittany Dr., Tigard, Oreg. 97223

[**] Term: 14 Years

[21] Appl. No.: 264,496

[22] Filed: Oct. 31, 1988

[52] U.S. Cl. D21/197

[58] Field of Search D21/191-199; 272/122, 123

[56] References Cited

U.S. PATENT DOCUMENTS

28,505 5/1860 Savage 272/122
3,022,073 2/1962 Miller D21/197

OTHER PUBLICATIONS

Best catalog 1985, Item #9-50 Kilo Barbell Set.

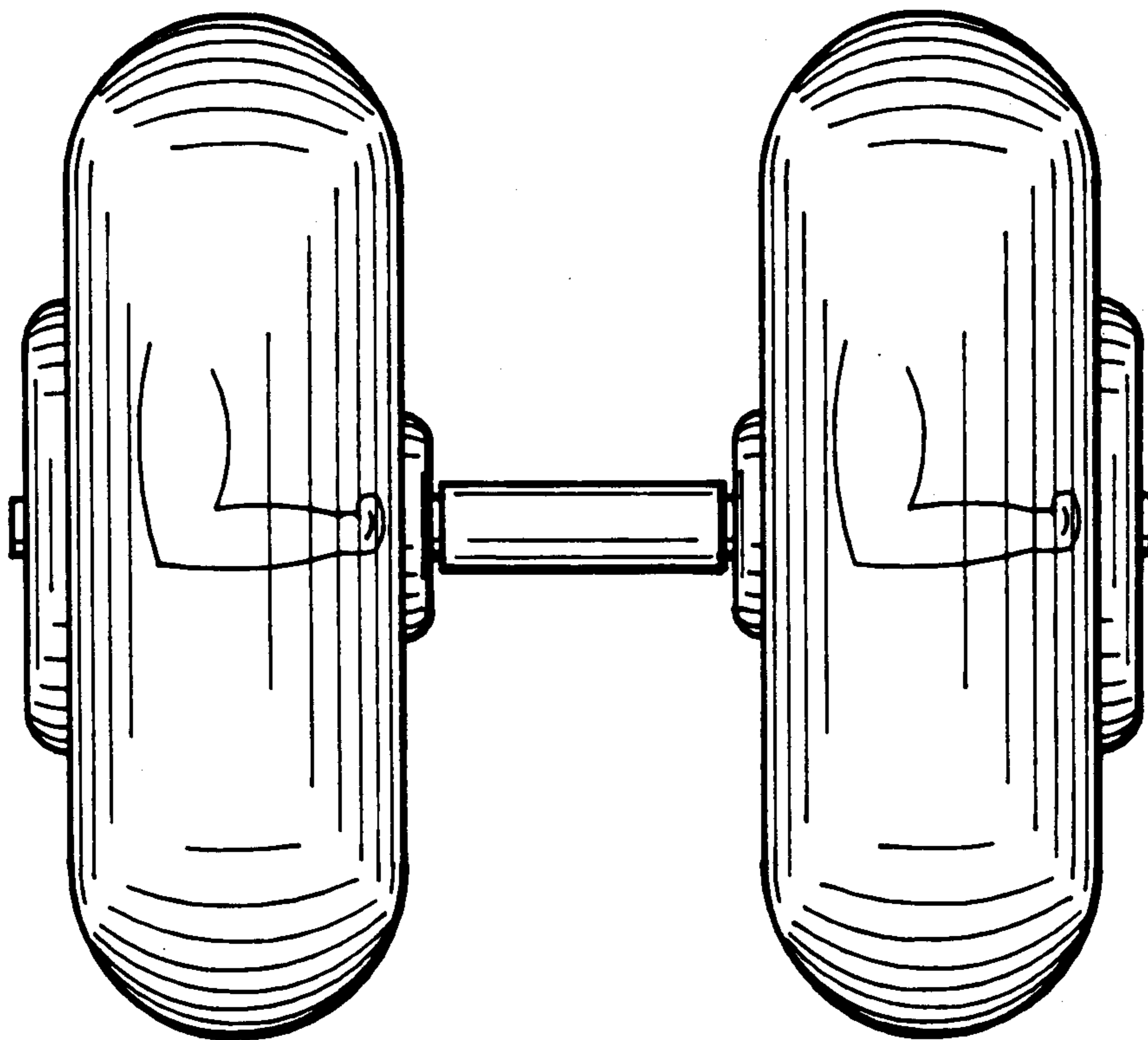
Primary Examiner—Charles A. Rademaker
Attorney, Agent, or Firm—Jerry T. Kearns

[57] CLAIM

The ornamental design for a dumbbell, as shown and described.

DESCRIPTION

FIG. 1 is a front elevational view of a dumbbell showing my new design;
FIG. 2 is a rear elevational view thereof;
FIG. 3 is a left side elevational view thereof;
FIG. 4 is a right side elevational view thereof;
FIG. 5 is a top plan view thereof; and,
FIG. 6 is a bottom plan view thereof.



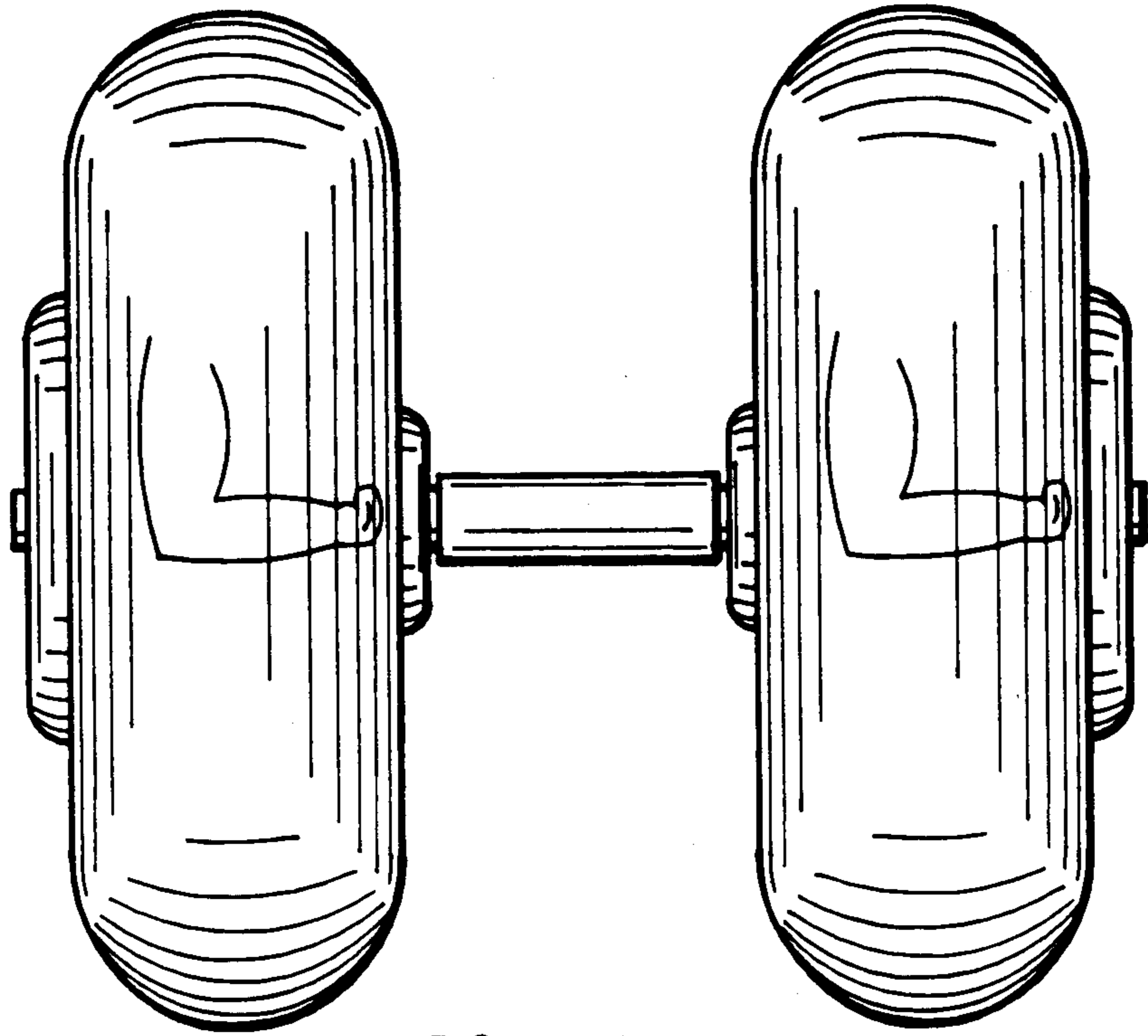


Fig. 1

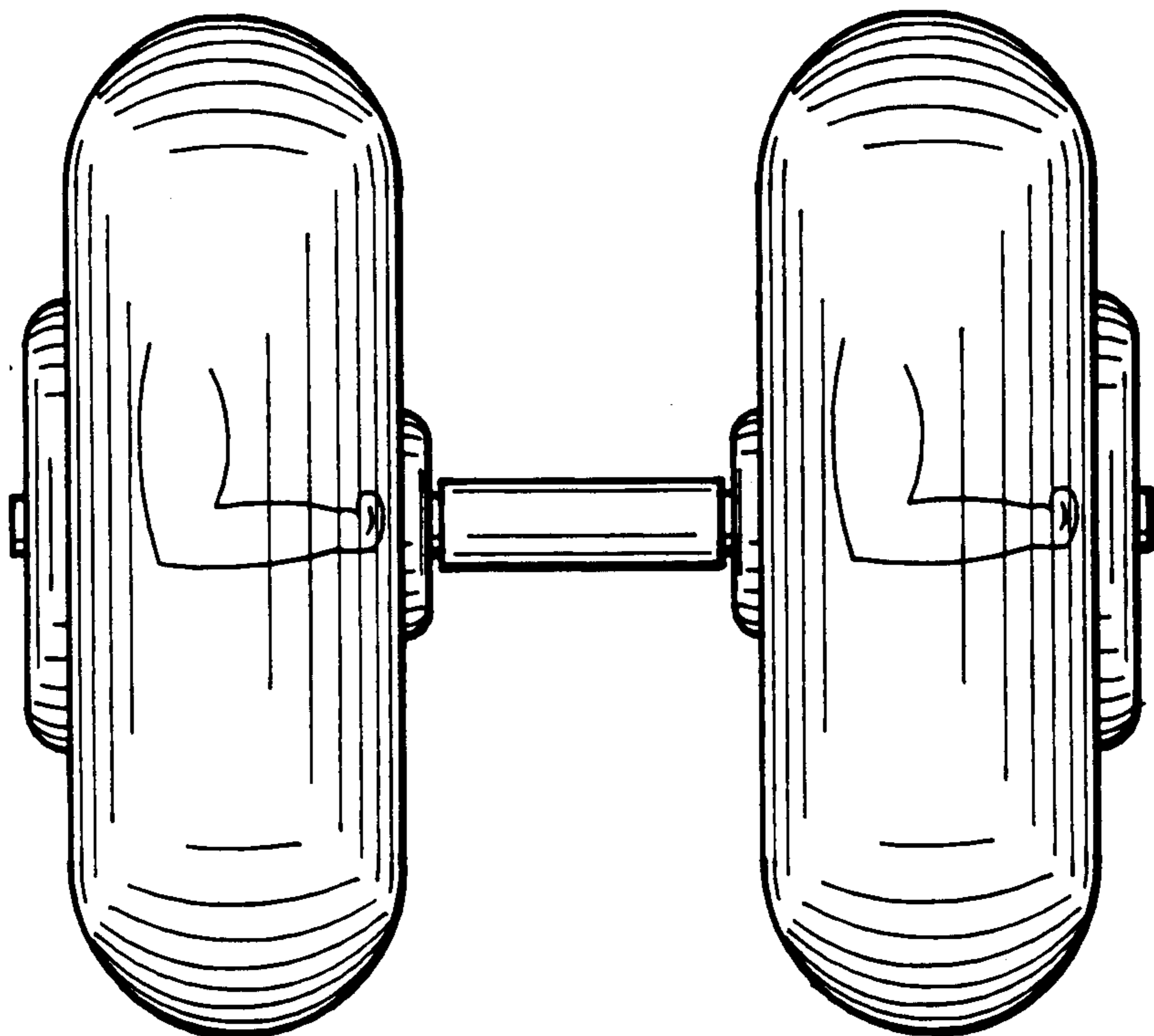


Fig. 2

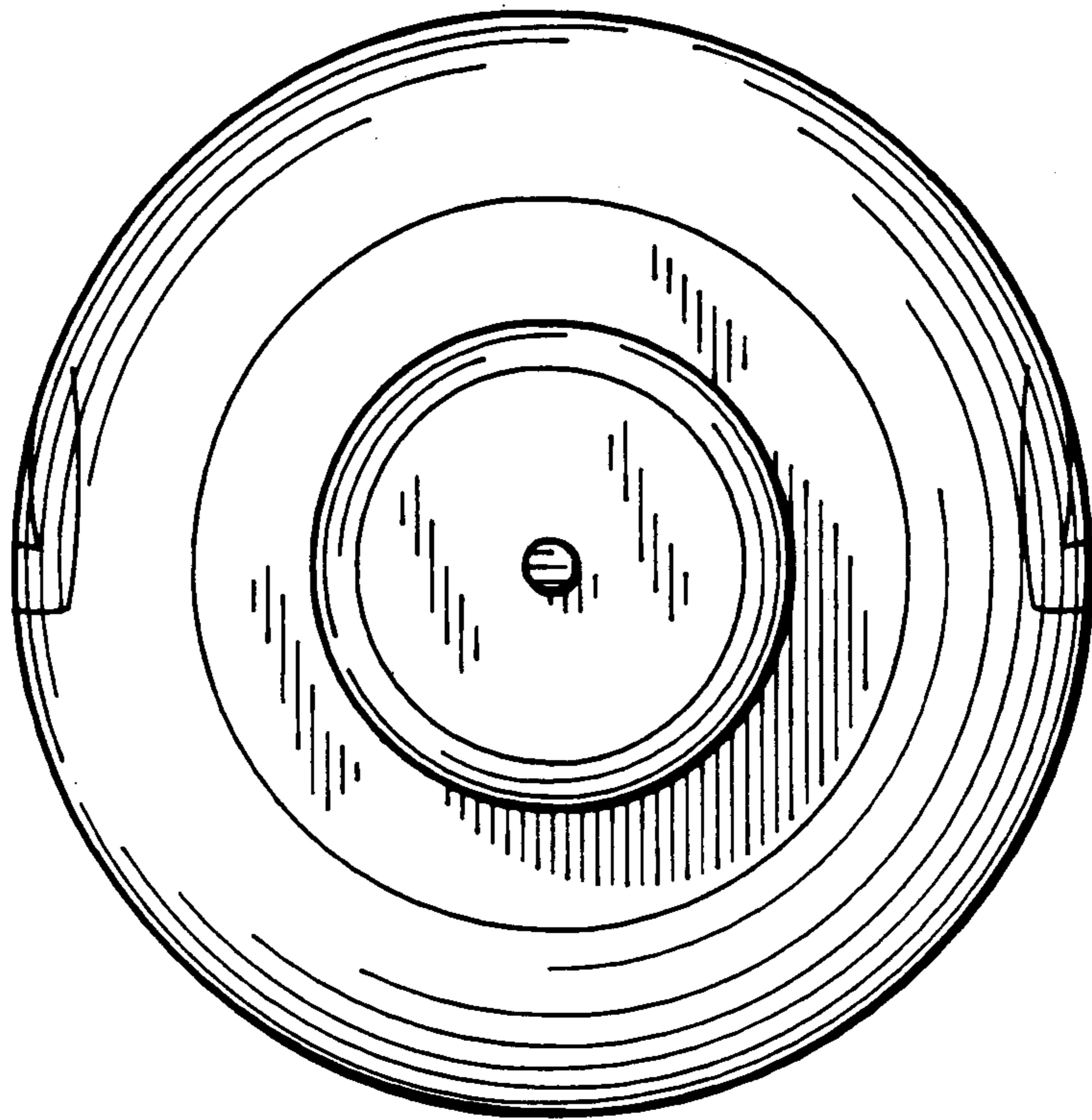


Fig. 3

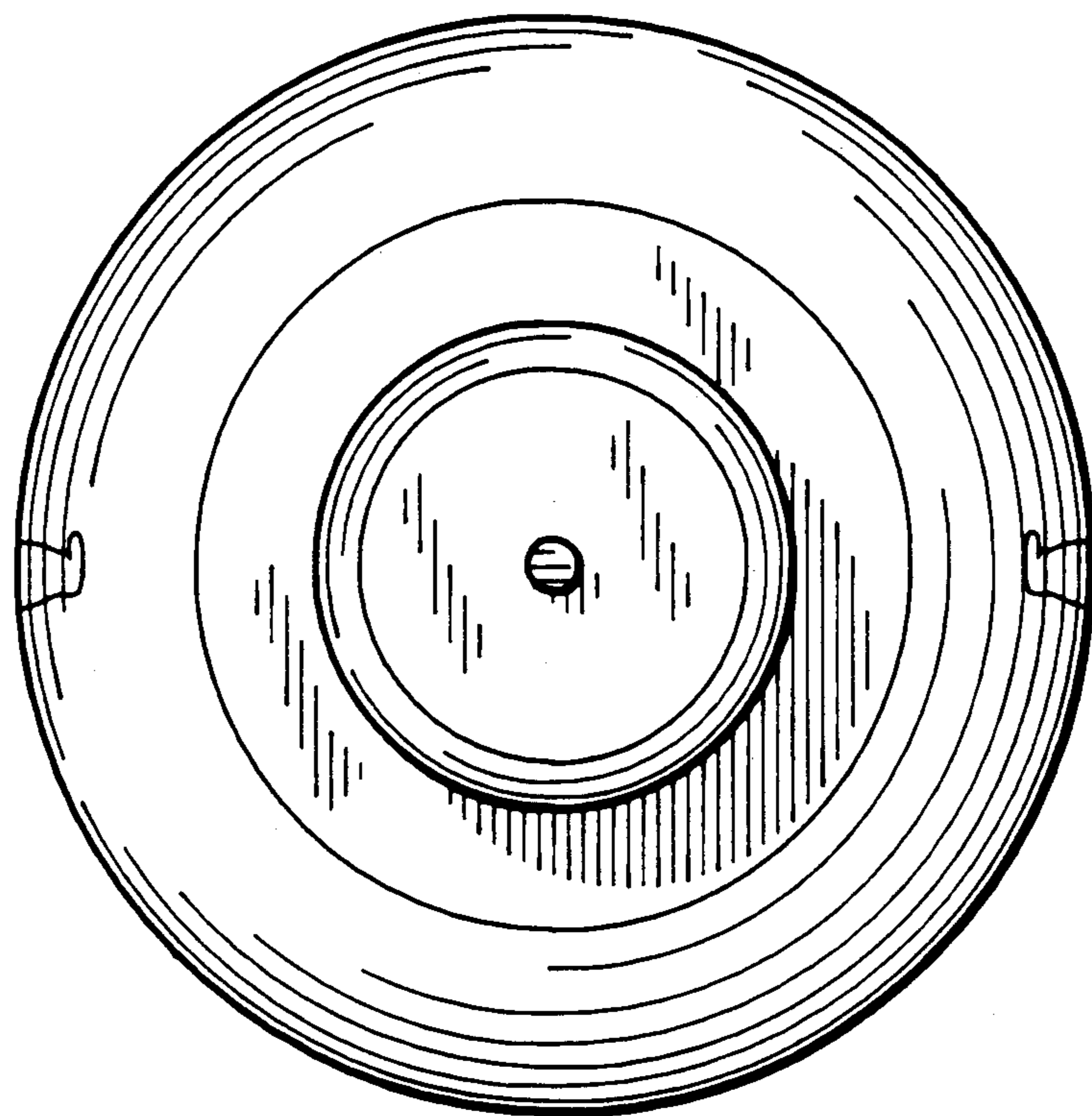


Fig. 4

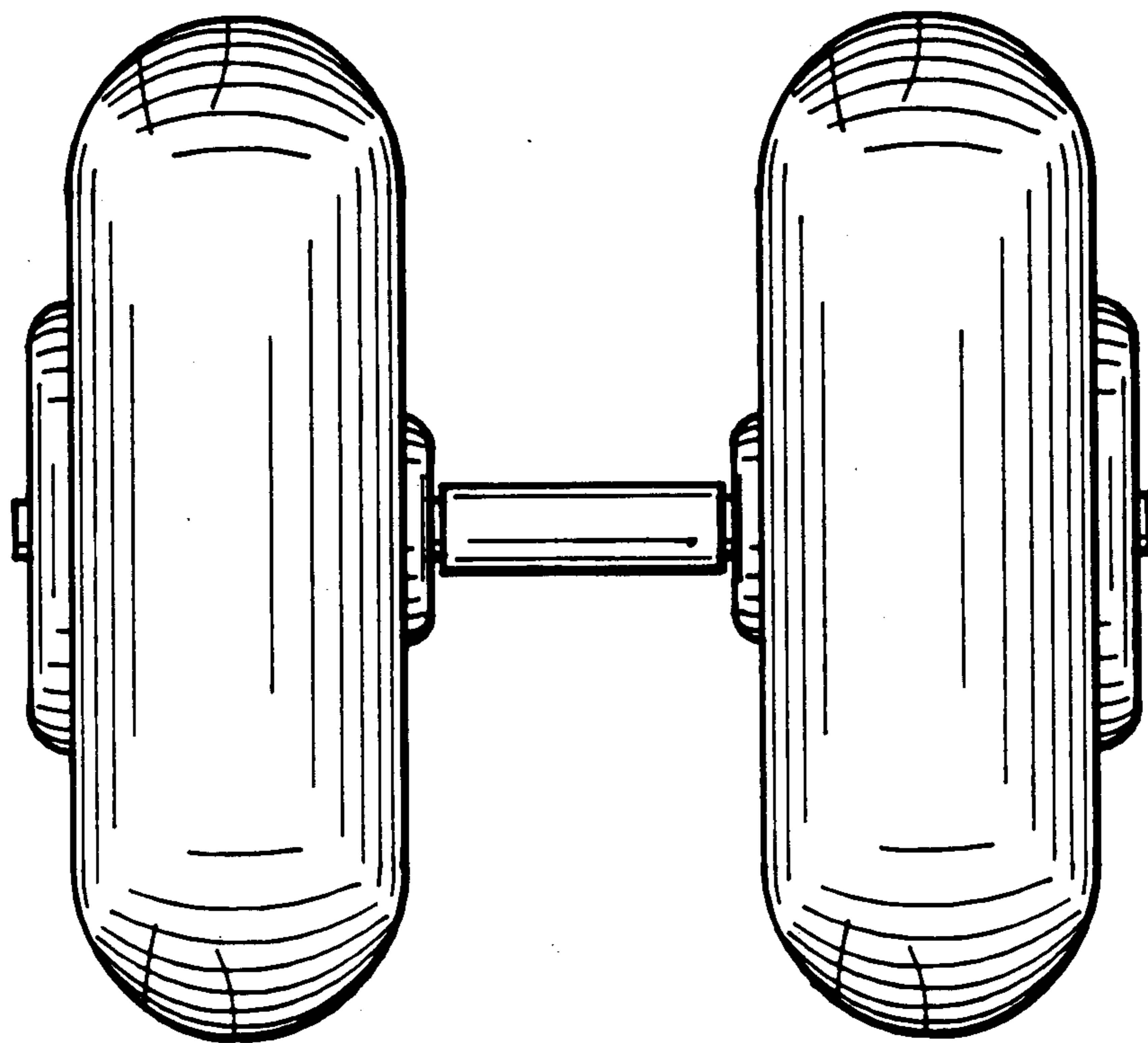


Fig. 5

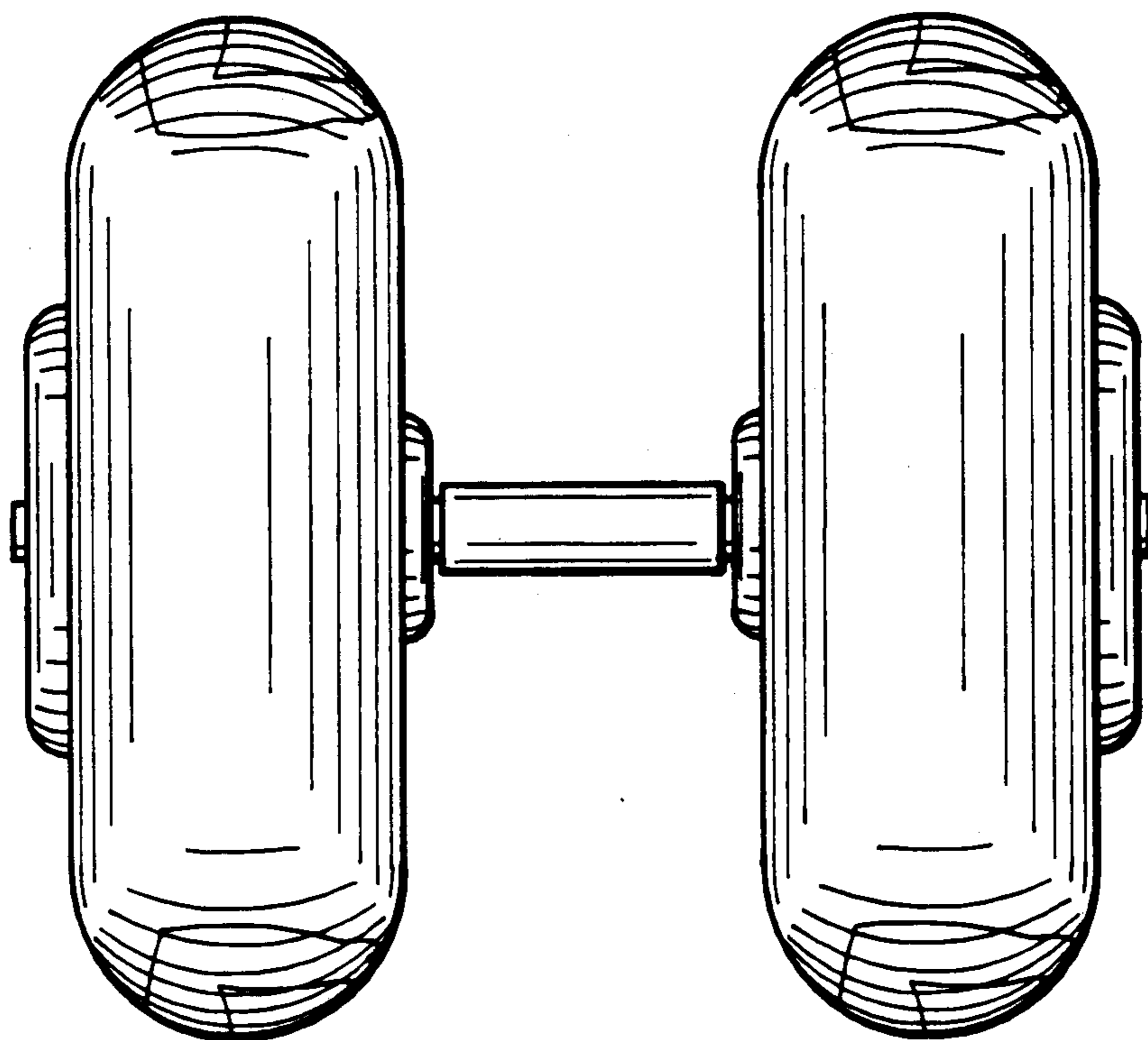


Fig. 6