

United States Patent [19]

Jacobson et al.

[11] Patent Number: **Des. 318,699**

[45] Date of Patent: **** Jul. 30, 1991**

[54] TREADMILL

[76] Inventors: **David L. Jacobson**, 210 Redd Rd. #1010, El Paso, Tex. 79932; **William T. Dalebout**, 1770 E. 1730 North, Logan, Utah 84321

[**] Term: **14 Years**

[21] Appl. No.: **305,985**

[22] Filed: **Feb. 1, 1989**

[52] U.S. Cl. **D21/192**

[58] Field of Search **D21/191-199;**
272/69, DIG. 6; 119/29

4,591,147 5/1986 Smith et al. 272/69
4,792,134 12/1988 Chen .
4,913,396 4/1990 Dalebout et al. 272/69

OTHER PUBLICATIONS

Precor U.S.A. flier, pp. 1 & 2, Treadmill #935 E.
Avita Flier ©1984 M & R Industries Inc. Avita 350 Treadmill.

Primary Examiner—Charles A. Rademaker

[57] CLAIM

The ornamental design for a treadmill, as shown and described.

DESCRIPTION

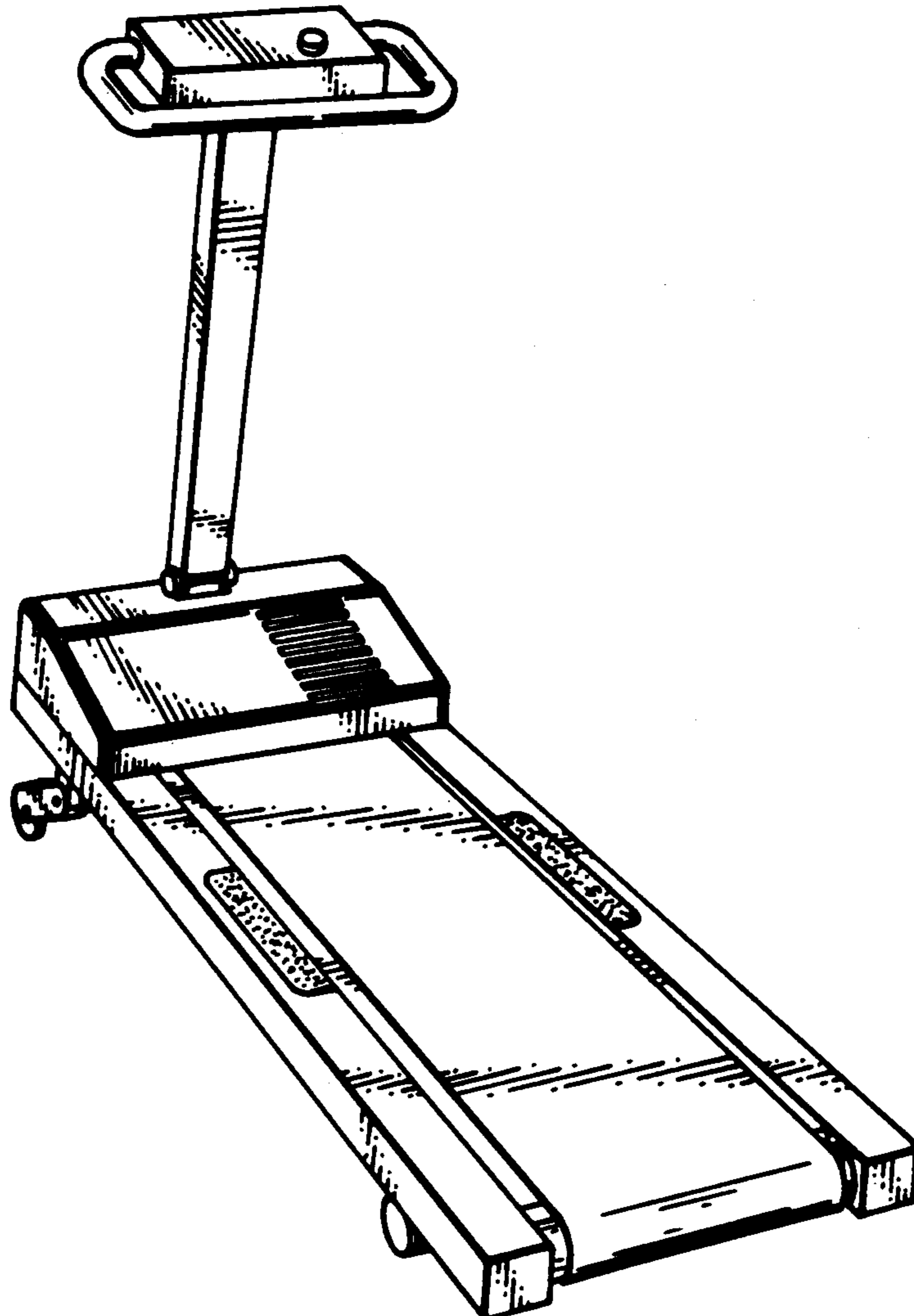
FIG. 1 is a perspective view of a treadmill showing our new design;
FIG. 2 is a left side elevational view;
FIG. 3 is a right side elevational view;
FIG. 4 is a top plan view;
FIG. 5 is a rear elevational view;
FIG. 6 is a front elevational view.

[56]

References Cited

U.S. PATENT DOCUMENTS

D. 280,002 8/1985 Smith .
D. 289,667 5/1987 Danchulis .
D. 299,258 1/1989 Lorenzo D21/192
D. 302,837 8/1989 Sherrard D21/192
D. 304,849 11/1989 Watterson D21/192



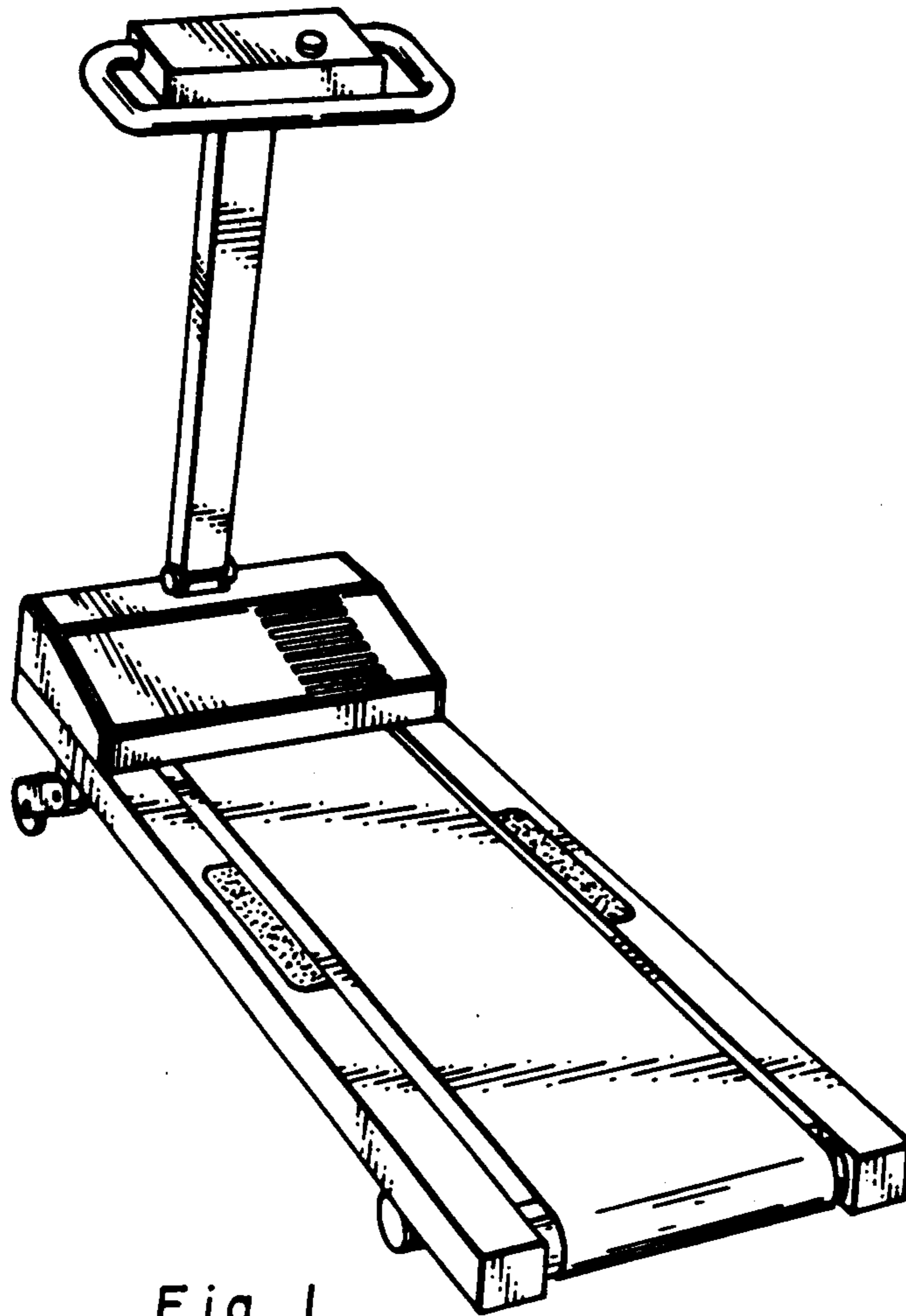


Fig. 1

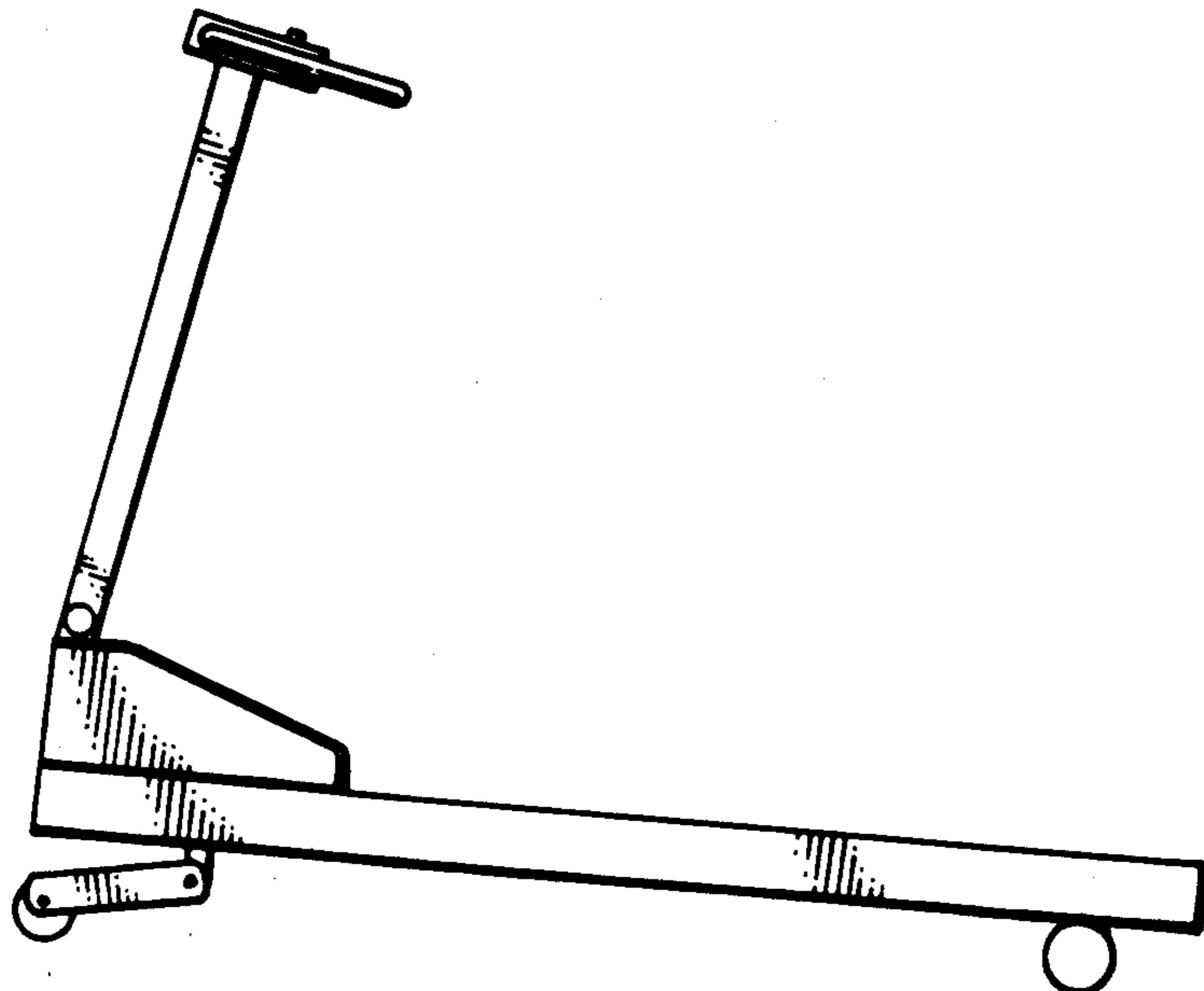


Fig. 2

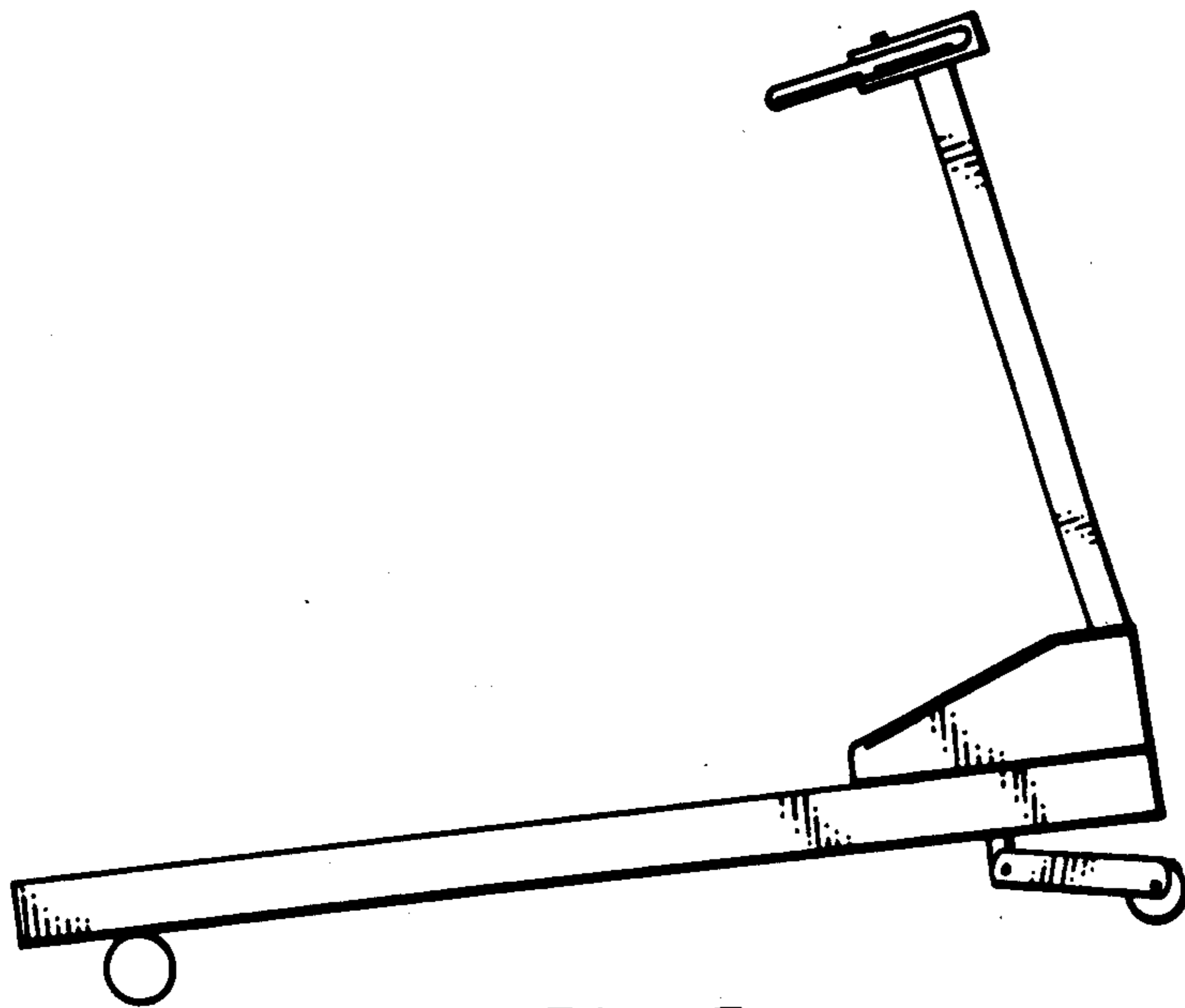


Fig. 3

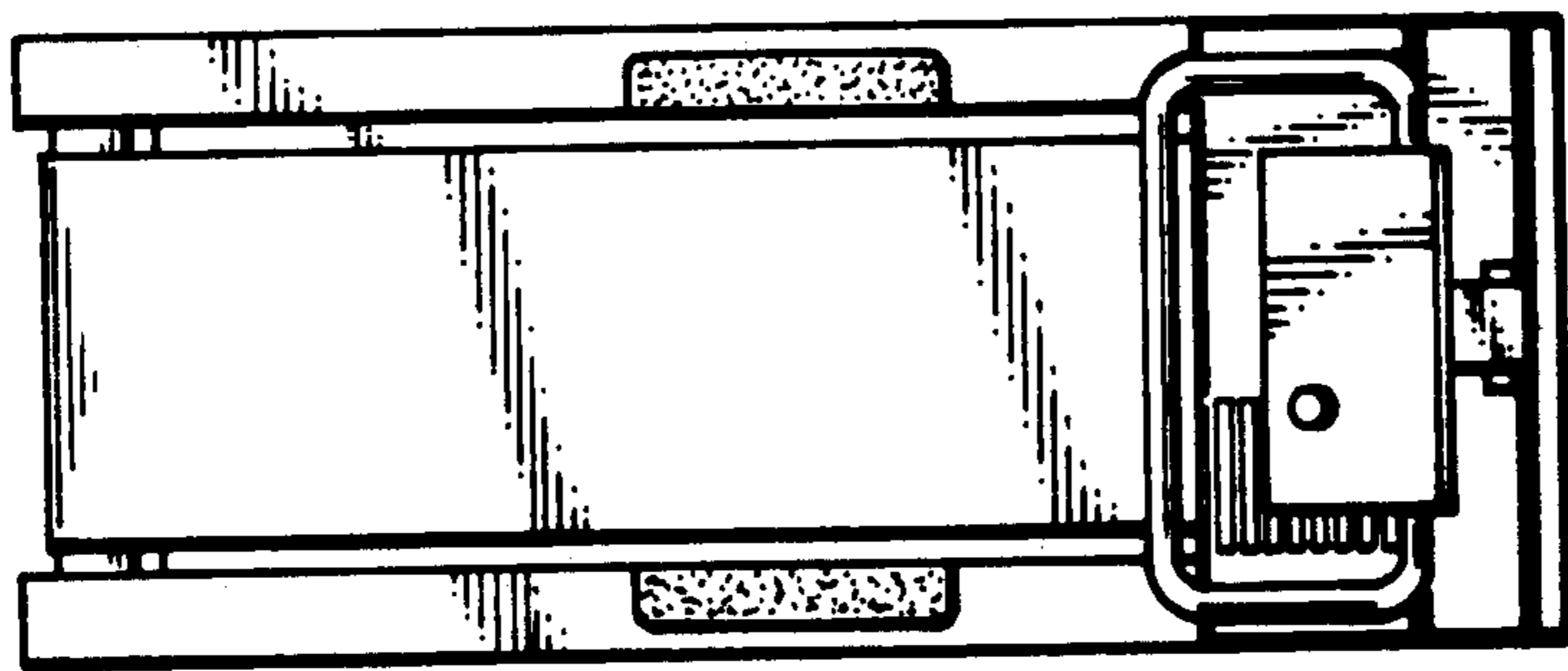


Fig. 4

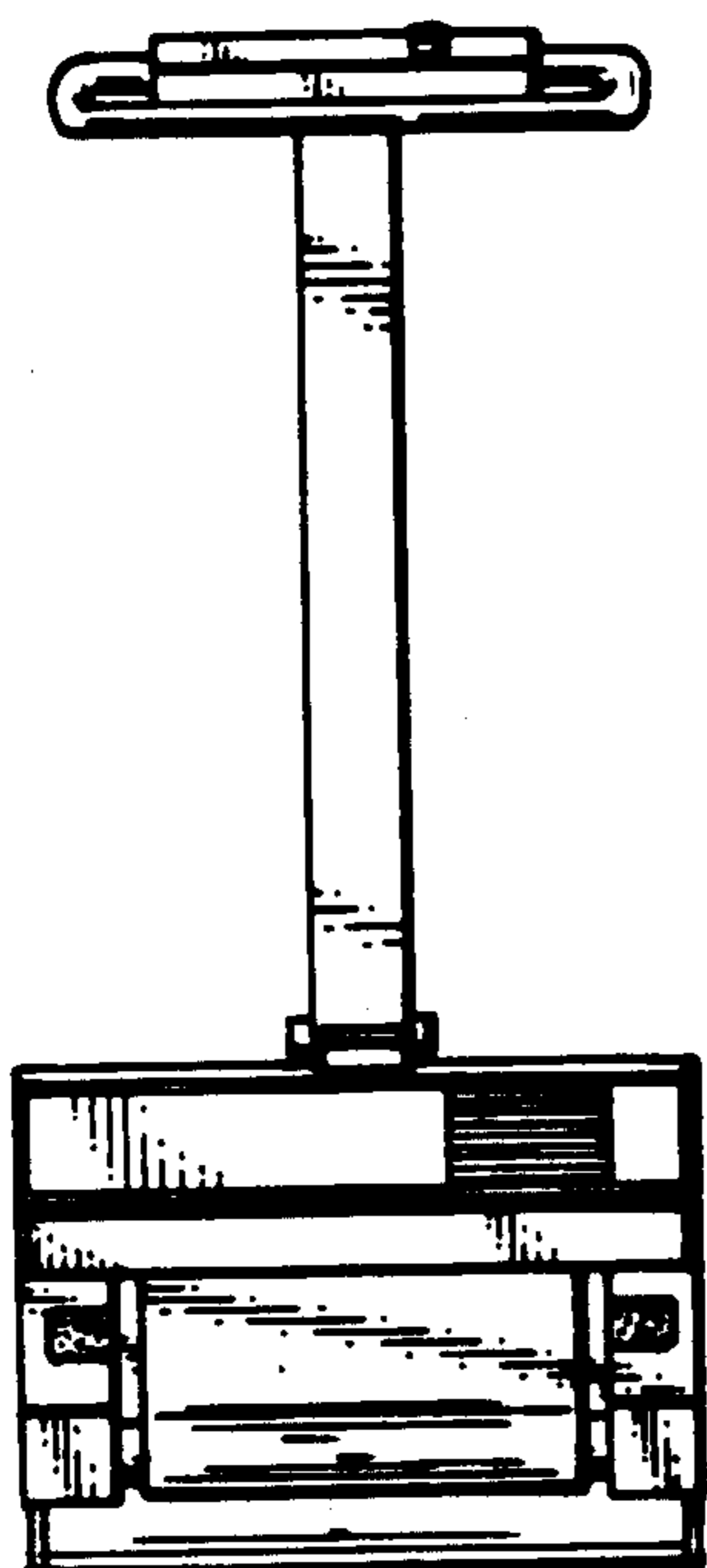


Fig. 5

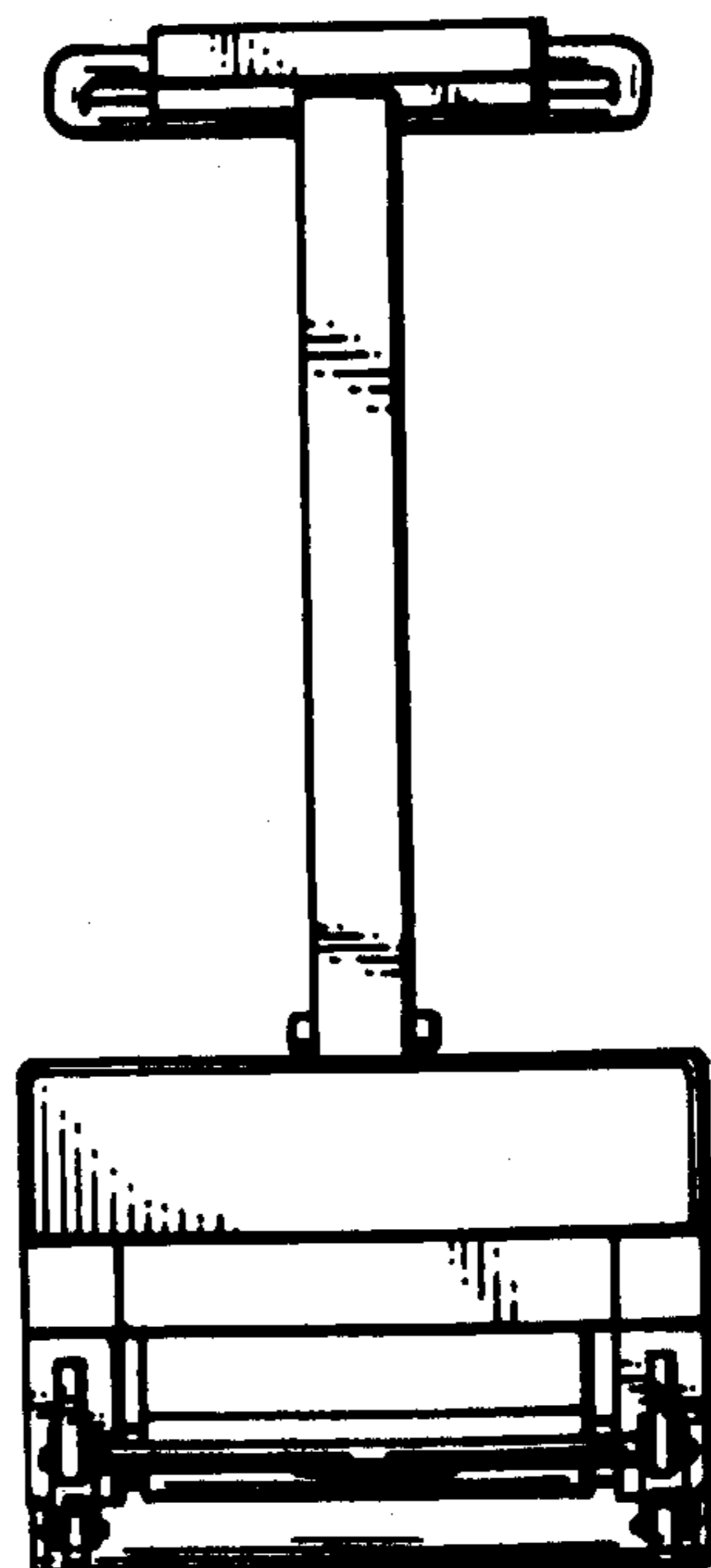


Fig. 6