

[54] TOY BUILDING ELEMENT

[75] Inventors: Charlotte K. Hoyer, Charlottenlund; Berit Holmstrom, Roskilde, both of Denmark

[73] Assignee: Interlego A.G., Switzerland

[\*\*] Term: 14 Years

[21] Appl. No.: 349,346

[22] Filed: May 9, 1989

[52] U.S. Cl. .... D21/108

[58] Field of Search ..... D21/59, 108, 124, 141; 446/85, 102, 103, 105, 118, 121, 124, 126, 128

[56] References Cited

U.S. PATENT DOCUMENTS

D. 179,688	2/1957	Kaplan	.....	D21/108
D. 279,915	7/1985	Pibet	.....	D21/108
D. 285,707	9/1986	Dideriksen	.....	D21/108
3,034,254	5/1962	Christiansen	.....	446/128

OTHER PUBLICATIONS

Playthings, Feb. 1985, p. 135.  
Playthings, Oct. 1941, p. 47, top.

Primary Examiner—Charles A. Rademaker  
Assistant Examiner—R. Barkai  
Attorney, Agent, or Firm—Kane, Dalsimer, Sullivan, Kurucz, Levy, Eisele and Richard

[57] CLAIM

The ornamental design for a toy building element, as shown and described.

DESCRIPTION

FIG. 1 is a top perspective view of a toy building showing my new design;  
FIG. 2 is a bottom perspective view thereof;  
FIG. 3 is a top plan view thereof;  
FIG. 4 is a bottom plan view thereof;  
FIG. 5 is a side elevational view thereof, the side opposite being substantially a mirror image;  
FIG. 6 is a front elevational view thereof; and,  
FIG. 7 is a rear elevational view thereof.

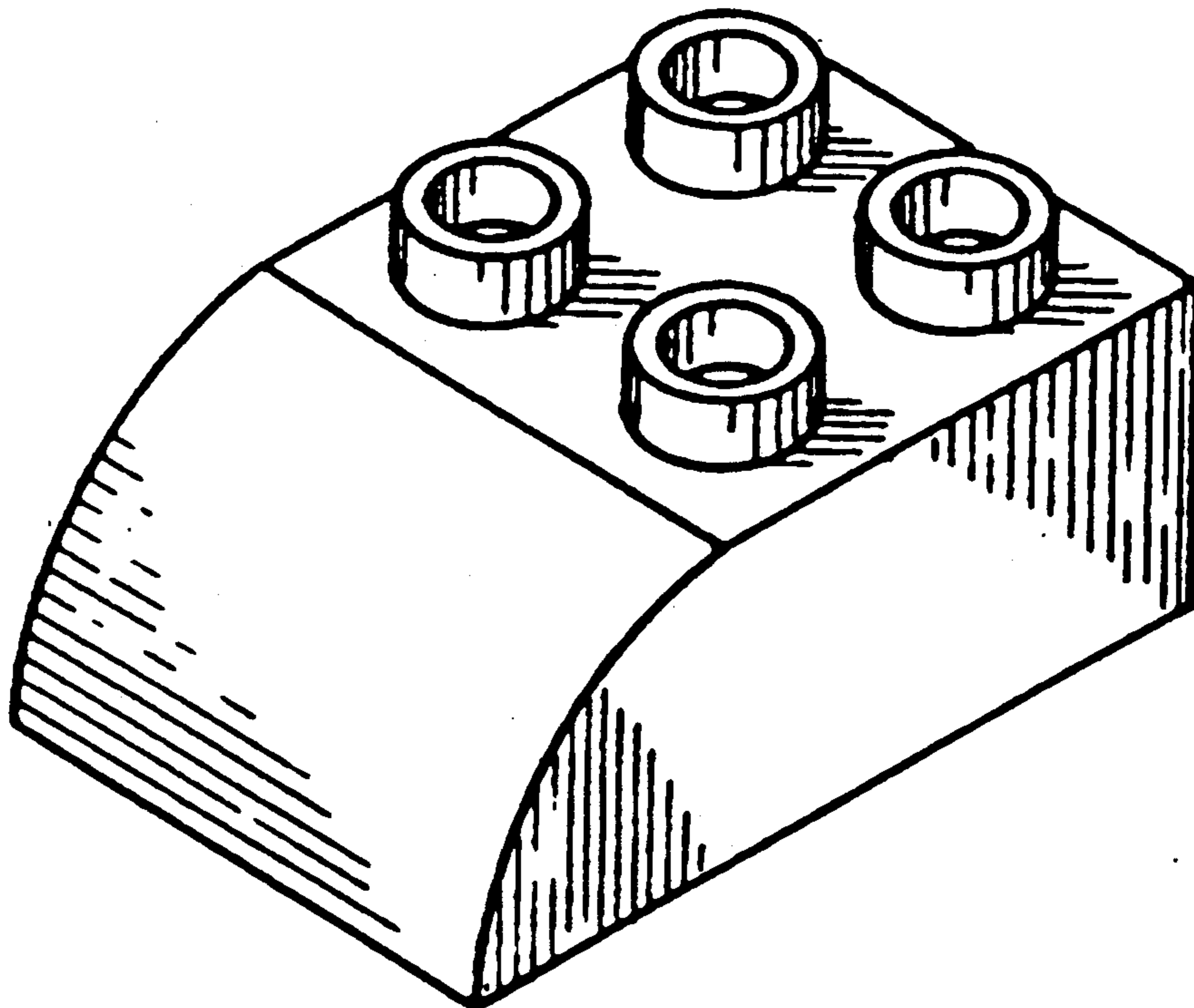


FIG.1

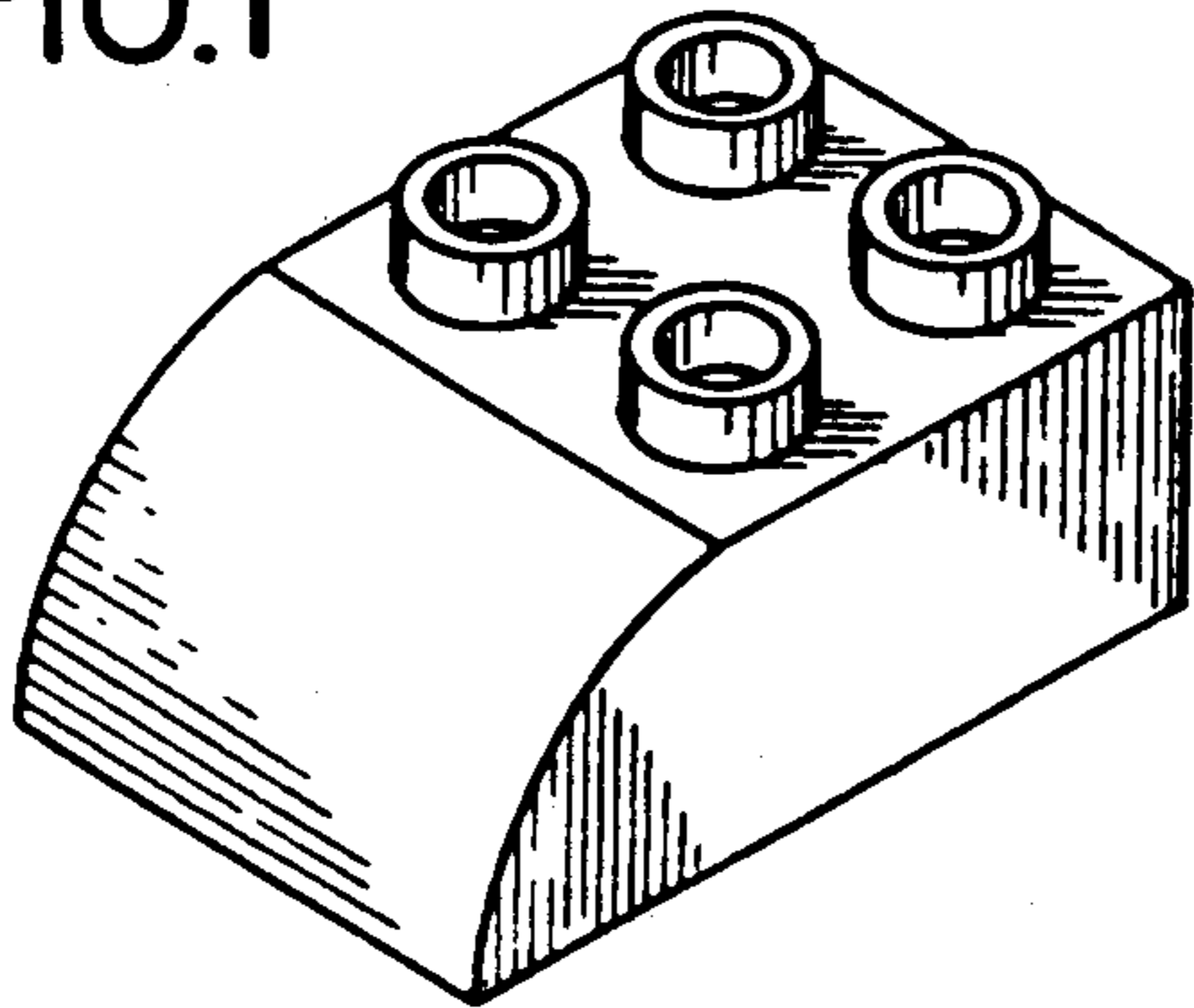


FIG.2

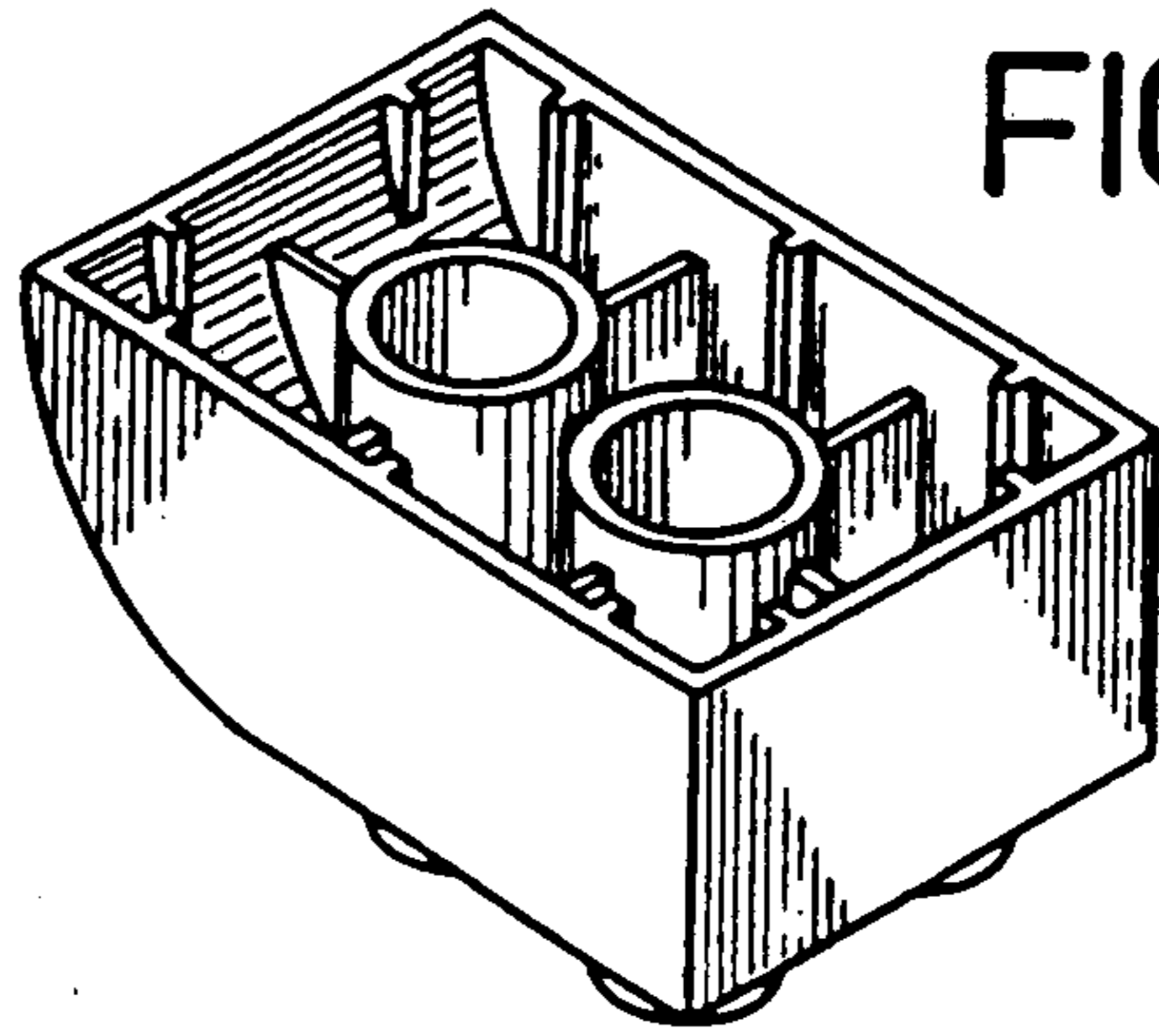


FIG.3

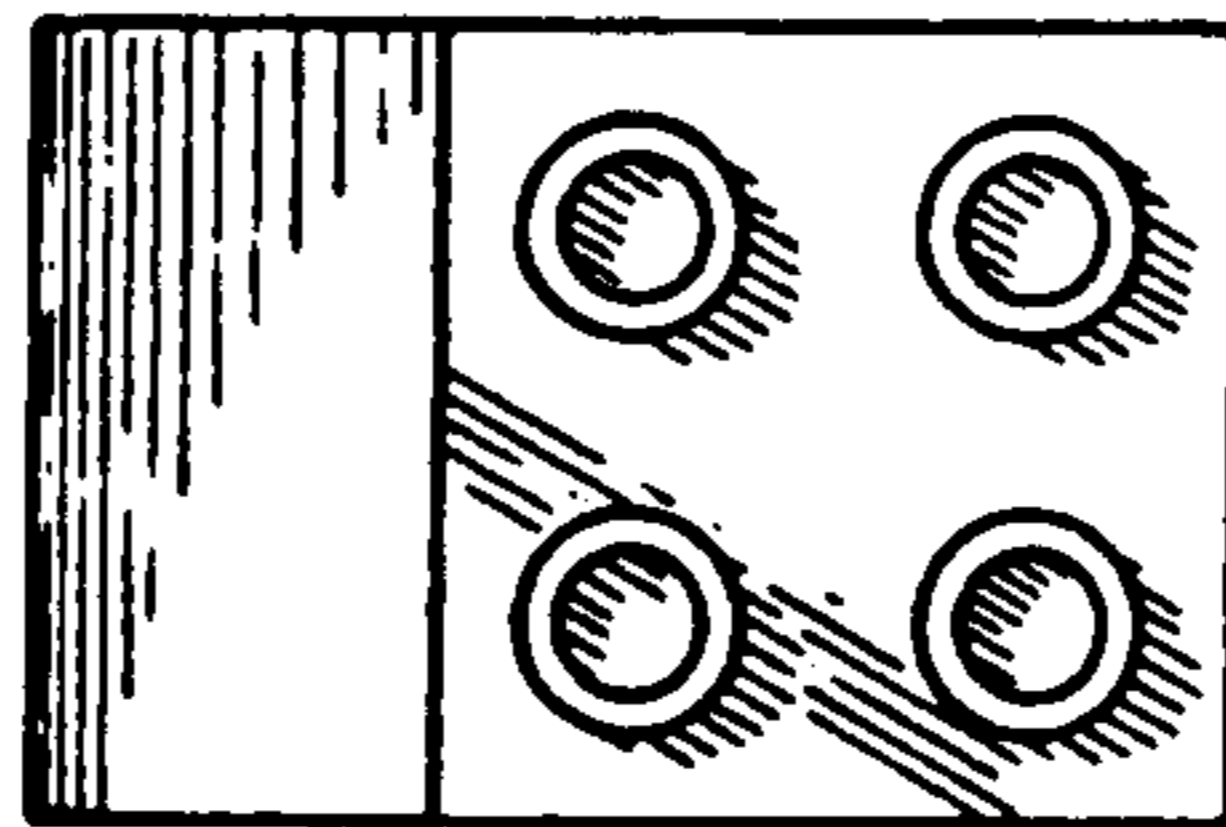


FIG.6



FIG.5

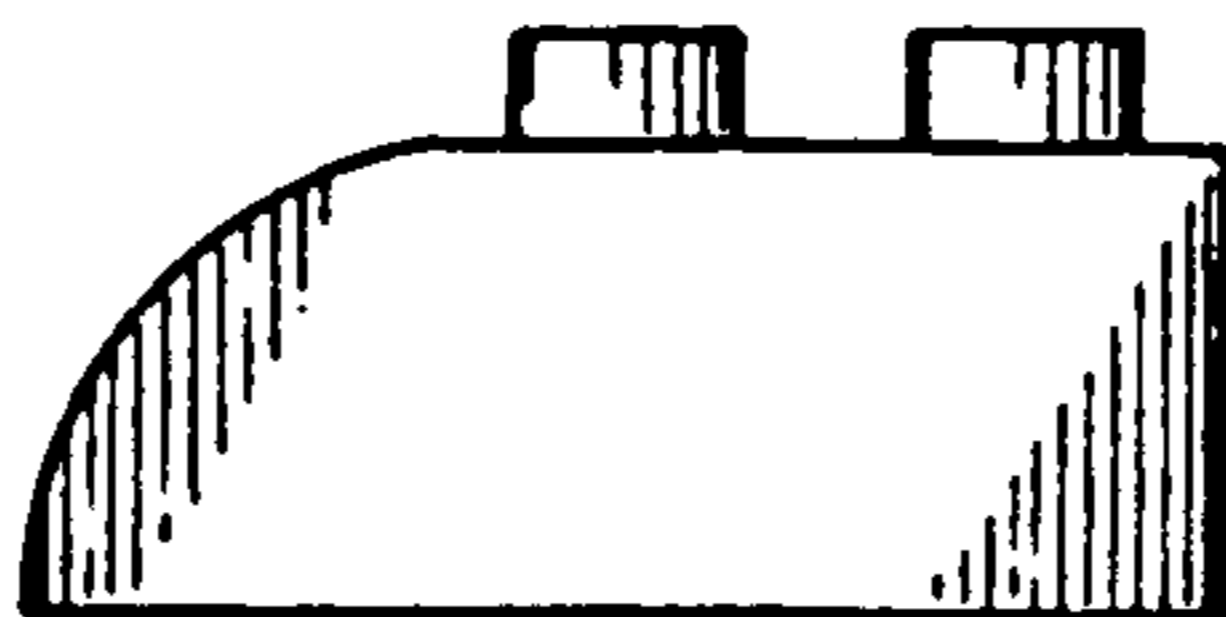


FIG.7

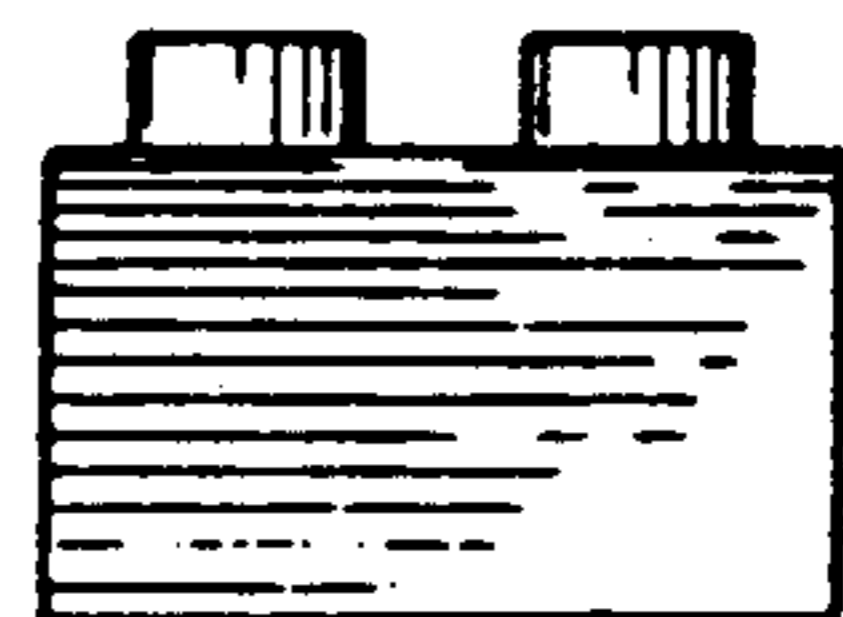


FIG.4

