

United States Patent [19]

Richards-Butts

[11] Patent Number: **Des. 318,694**

[45] Date of Patent: **** Jul. 30, 1991**

[54] **PORTABLE PLAY SURFACE DEVICE**

[76] Inventor: **Theresa Richards-Butts, 1927**
Pendleton St., Savannah, Ga. 31405

[**] Term: **14 Years**

[21] Appl. No.: **242,514**

[22] Filed: **Sep. 12, 1988**

[52] U.S. Cl. **D21/59; D6/406**

[58] Field of Search **D21/59, 62; D6/406;**
D19/59-62; 446/227, 482, 491

[56] **References Cited**

U.S. PATENT DOCUMENTS

- D. 235,458 6/1975 Reiling D21/121
- D. 282,043 1/1986 Morin D6/406
- D. 282,218 1/1986 Catelli D21/121
- D. 293,493 12/1987 Garr D6/406

- 3,629,960 12/1971 Roush 434/432
- 4,312,507 1/1982 Smith et al. 434/432

Primary Examiner—Charles A. Rademaker
Attorney, Agent, or Firm—Jerome J. Norris

[57] **CLAIM**

The ornamental design for a portable play surface device, as shown and described.

DESCRIPTION

FIG. 1 is a view in perspective of a portable play surface device showing my new design; FIG. 2 is a top plan view thereof; FIG. 3 is a front plan view thereof; FIG. 4 is a side plan view thereof; FIG. 5 is a back plan view thereof; and FIG. 6 is a bottom plan view thereof. The broken lines suggesting toy blocks shown in FIGS. 1 and 2 are for purposes of illustration only.

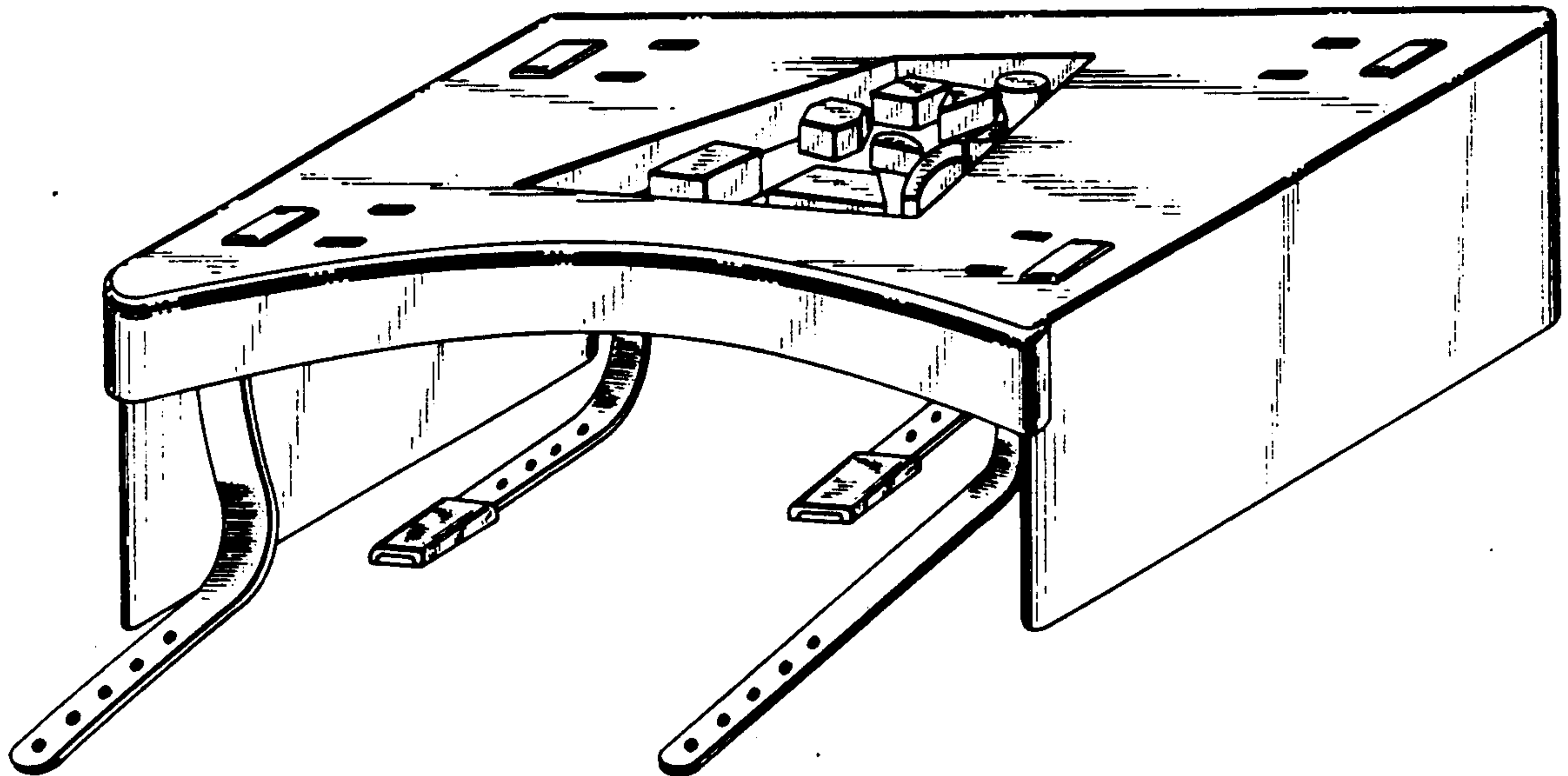


FIG. 1

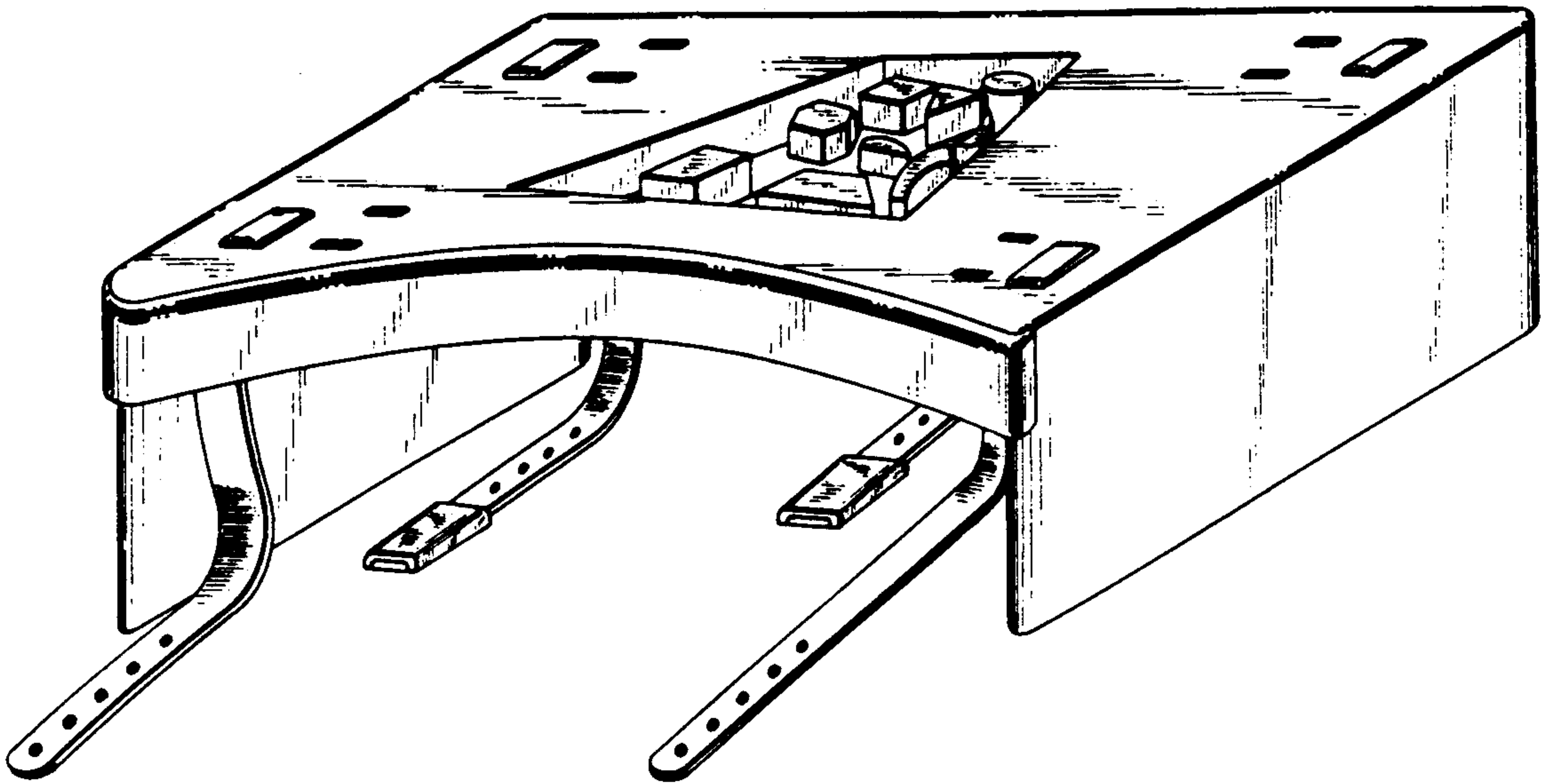


FIG. 2

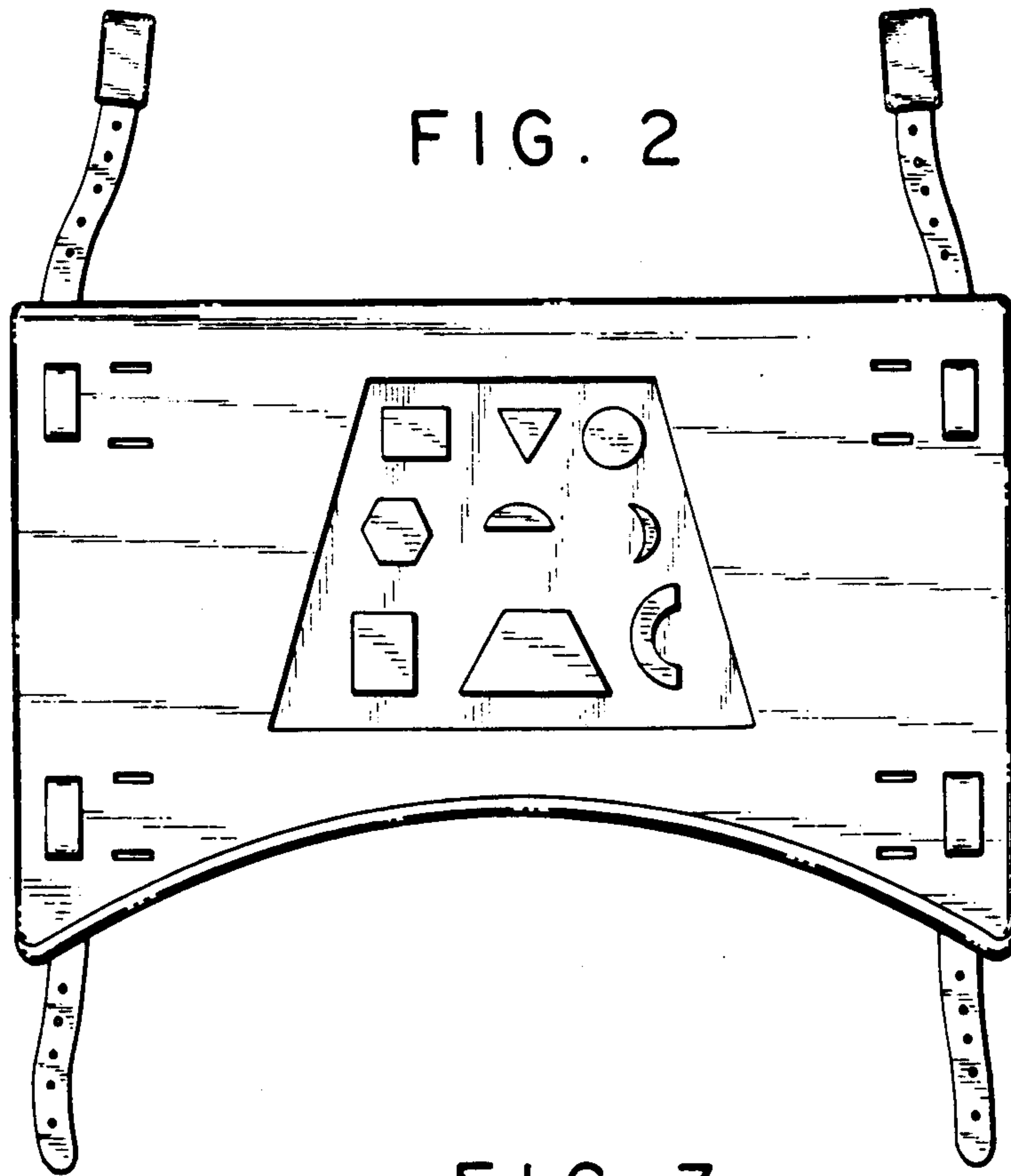


FIG. 3

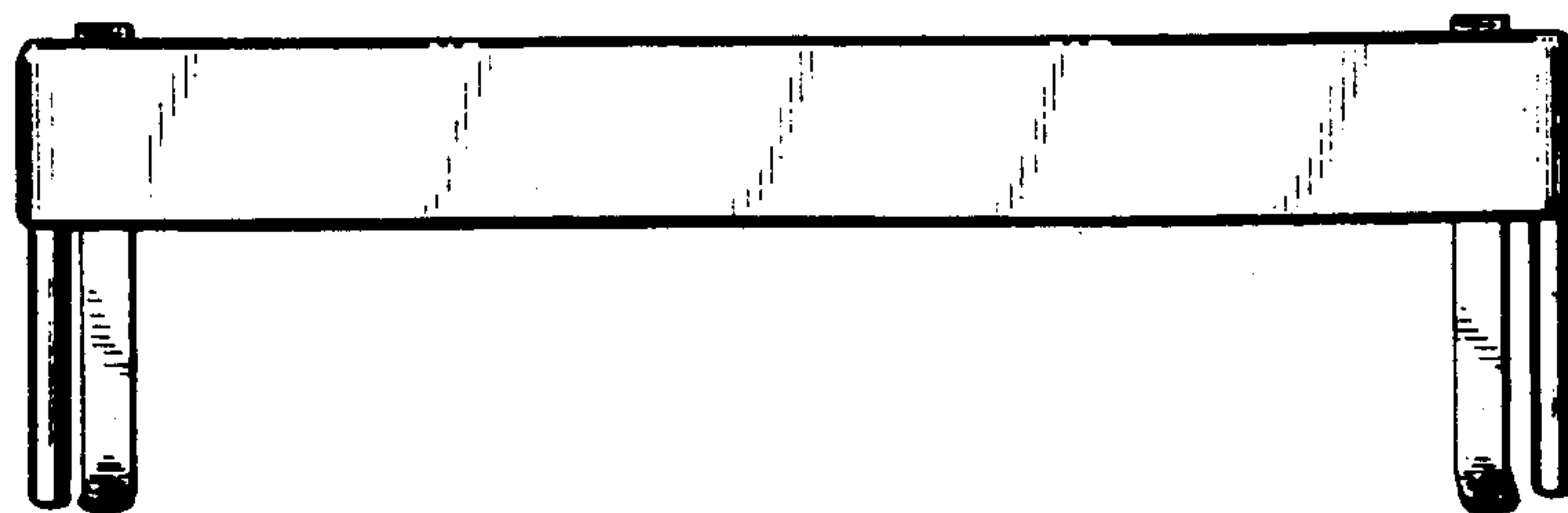


FIG. 4

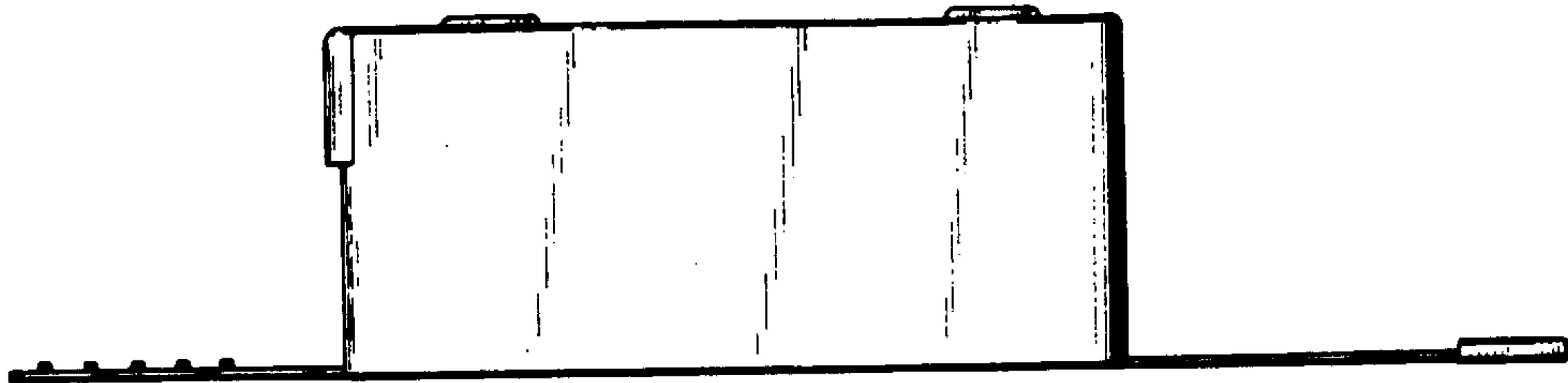


FIG. 5

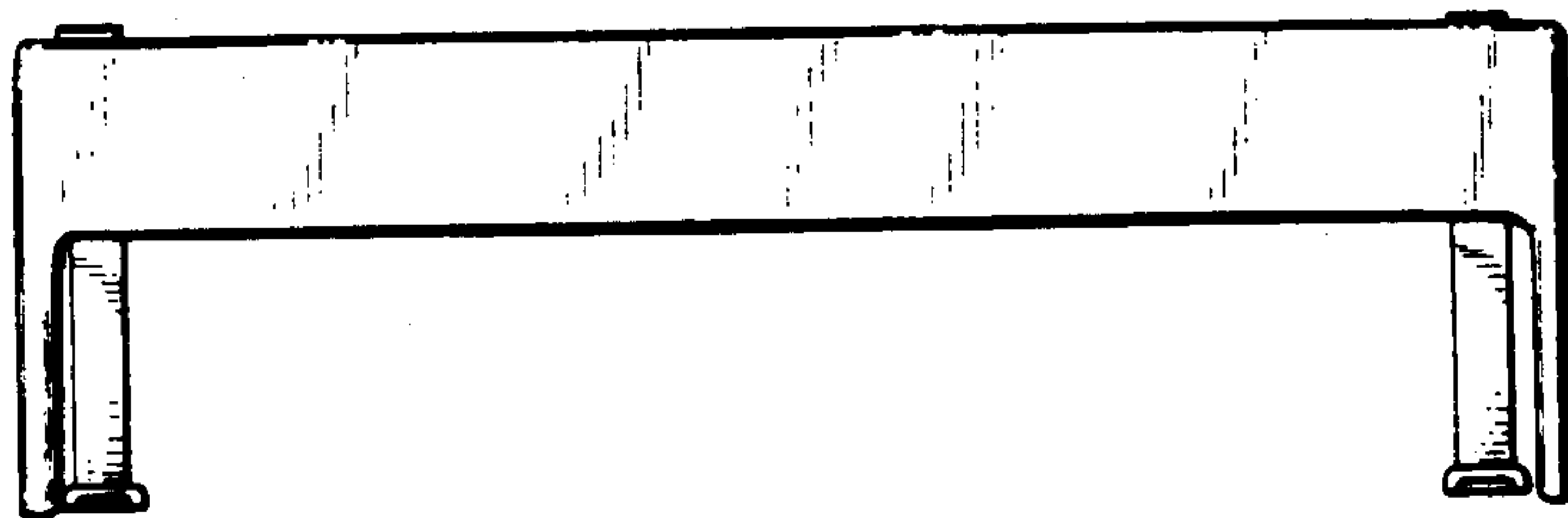


FIG. 6

