

[54] STAMP

[75] Inventor: Masaki Kida, Tokyo, Japan

[73] Assignee: Shachihata Industrial Co., Ltd., Nagoya, Japan

[\*\*] Term: 14 Years

[21] Appl. No.: 266,992

[22] Filed: Nov. 4, 1988

[52] U.S. Cl. .... D18/15; D19/65; D19/71; D19/100

[58] Field of Search ..... D19/65, 70, 71, 99, D19/100; D8/15, 22, 99; 101/109, 110, 111, 112, 327, 368, 371-373, 405; 118/264, 270

[56] References Cited

U.S. PATENT DOCUMENTS

D. 160,469	10/1950	Brenner	.....	D18/15
D. 232,485	8/1974	Funahashi	.....	D18/15
D. 233,563	11/1974	Funahashi	.....	D18/15
D. 261,006	9/1981	Wall et al.	.....	D18/15
D. 268,187	3/1983	Funahashi	.....	D18/15
D. 280,733	9/1985	Fujikura	.....	D18/15
D. 283,033	3/1986	Berg	.....	D18/15
2,919,645	1/1960	Leeds	.....	101/405 X

3,524,406	8/1970	Traynor	.....	101/405 X
4,492,162	1/1985	Nettesheim et al.	.....	101/111 X
4,854,235	8/1989	Lyon	.....	101/405 X

FOREIGN PATENT DOCUMENTS

646245	12/1984	Japan	.
647779	12/1984	Japan	.

Primary Examiner—Bruce W. Dunkins  
Assistant Examiner—Martha Thompson  
Attorney, Agent, or Firm—Fleit, Jacobson, Cohn, Price, Holman & Stern

[57] CLAIM

The ornamental design for a stamp, as shown and described.

DESCRIPTION

FIG. 1 is a top front perspective view of a stamp showing my new design;  
FIG. 2 is a bottom rear perspective view;  
FIG. 3 is a front elevational view;  
FIG. 4 is a rear elevational view;  
FIG. 5 is a left side elevational view;  
FIG. 6 is a right side elevational view;  
FIG. 7 is a top plan view; and  
FIG. 8 is a bottom plan view thereof.

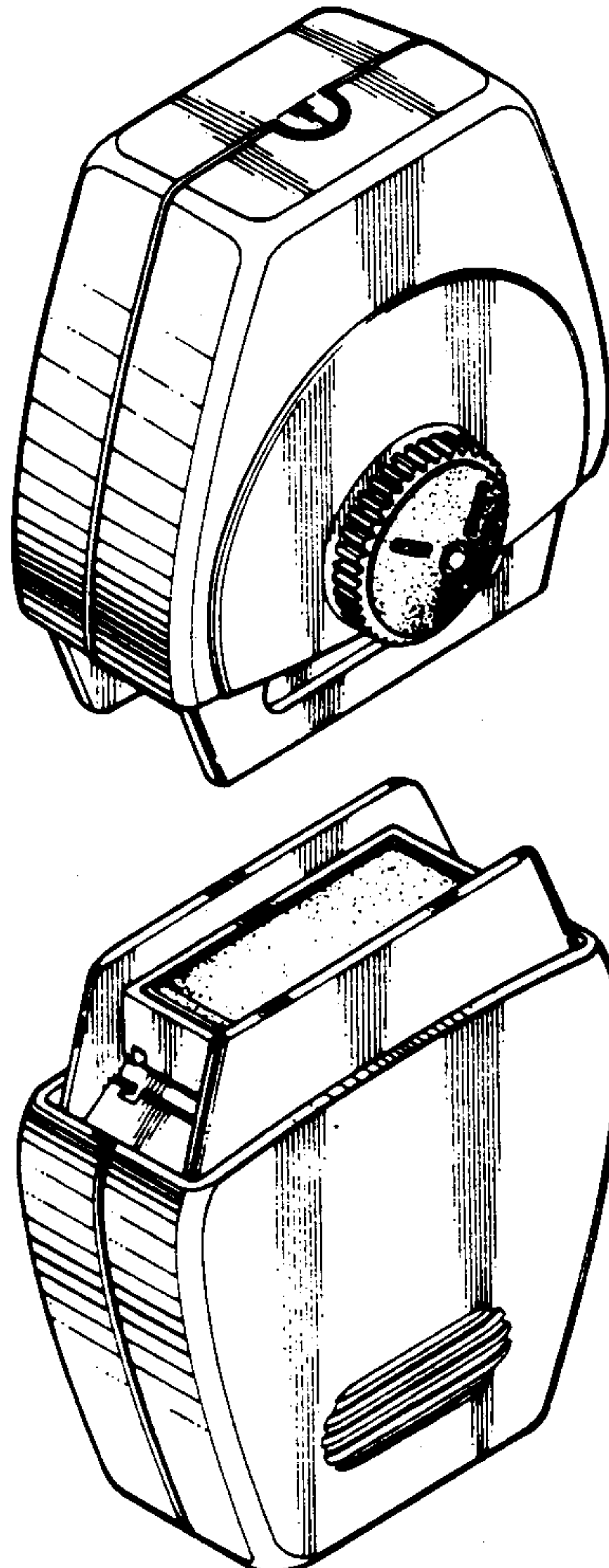


FIG. 1

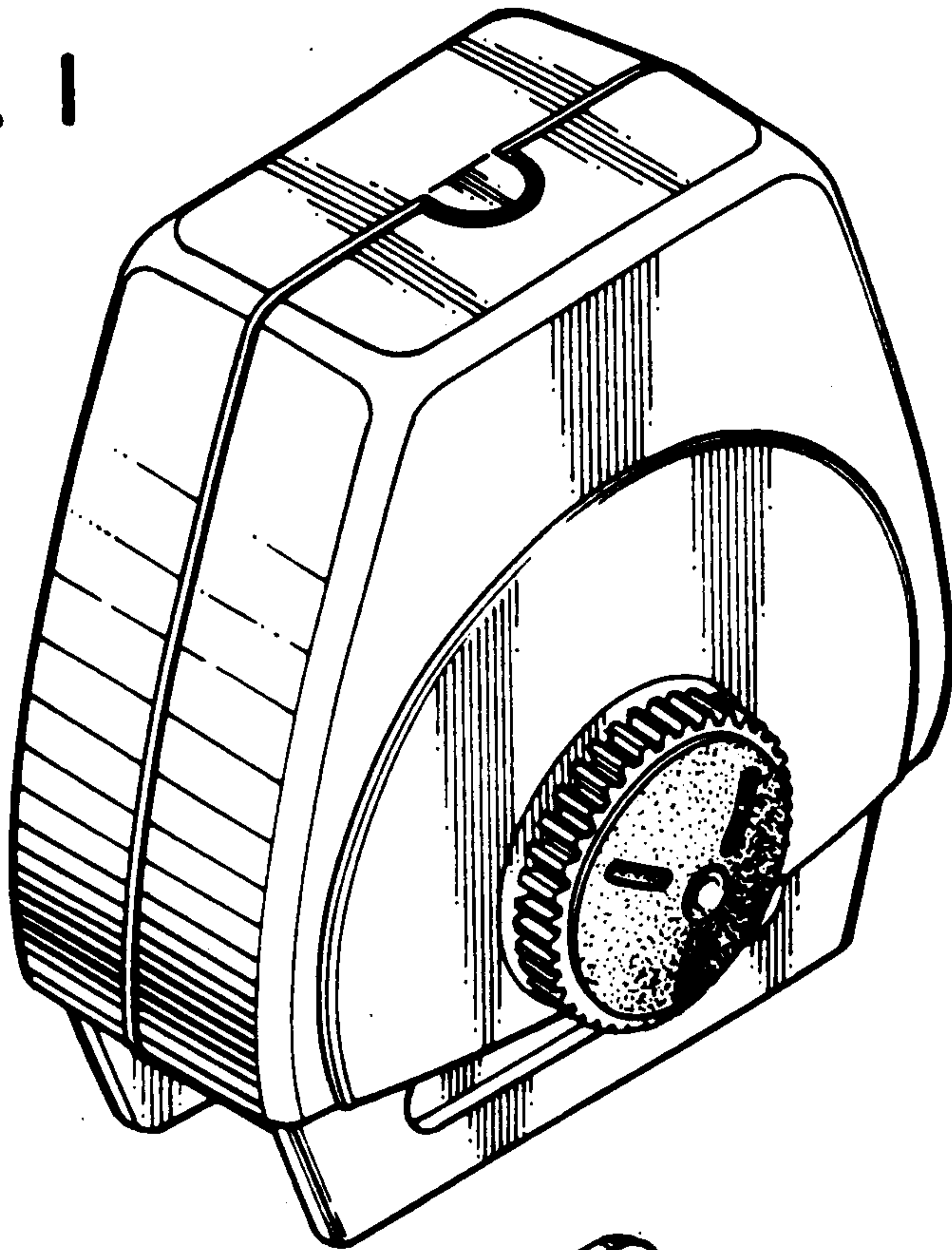


FIG. 2

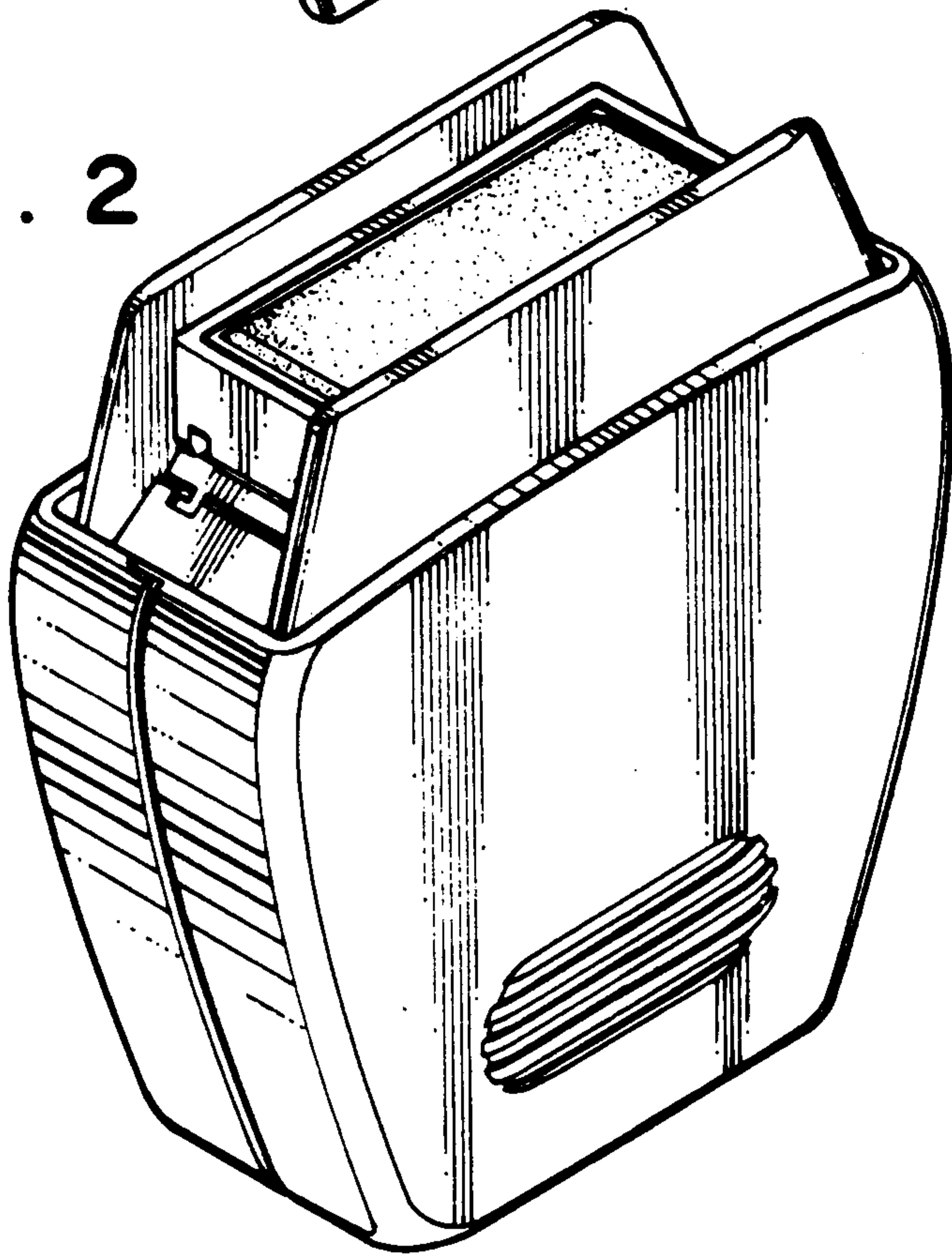


FIG. 3

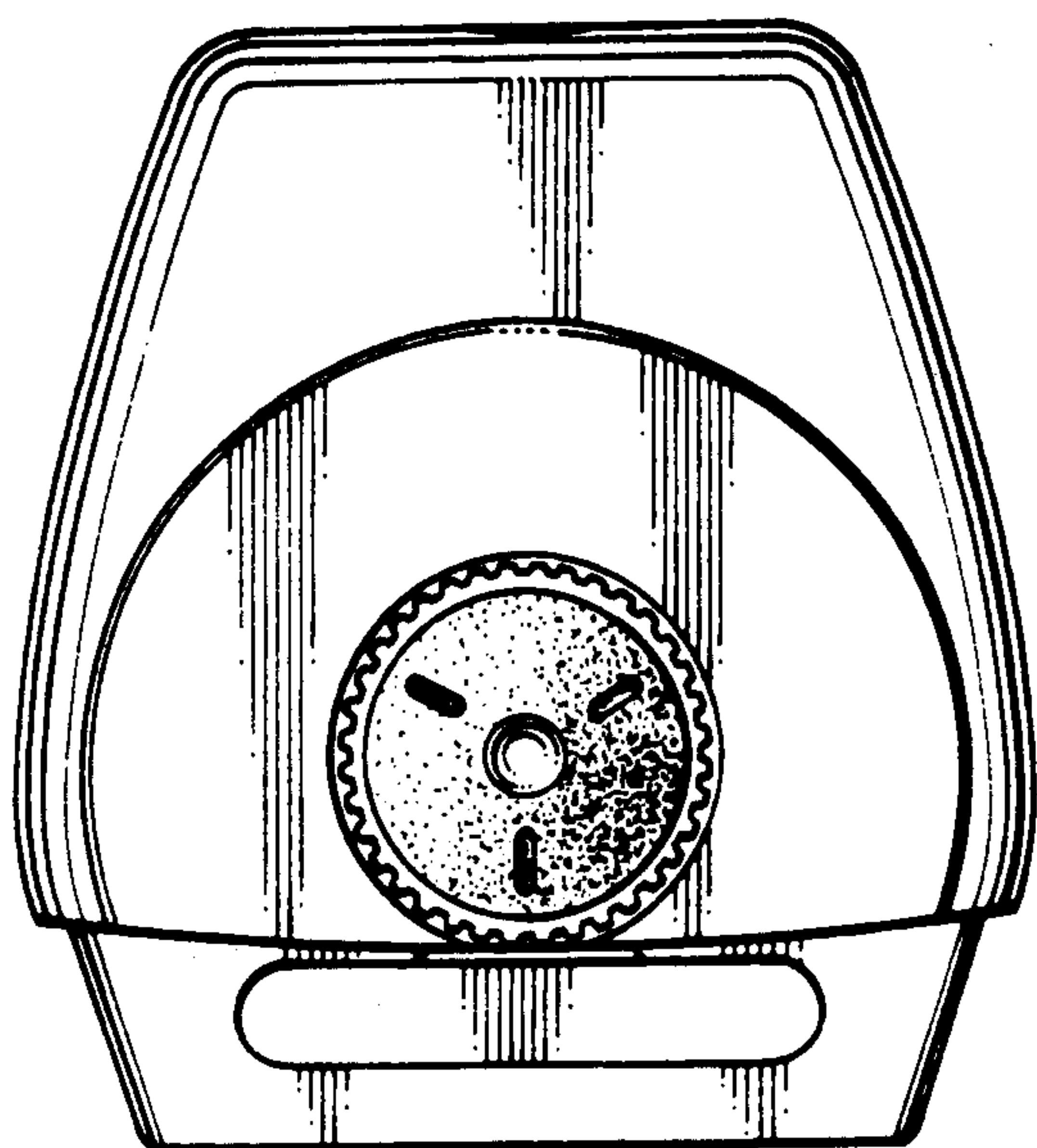


FIG. 4

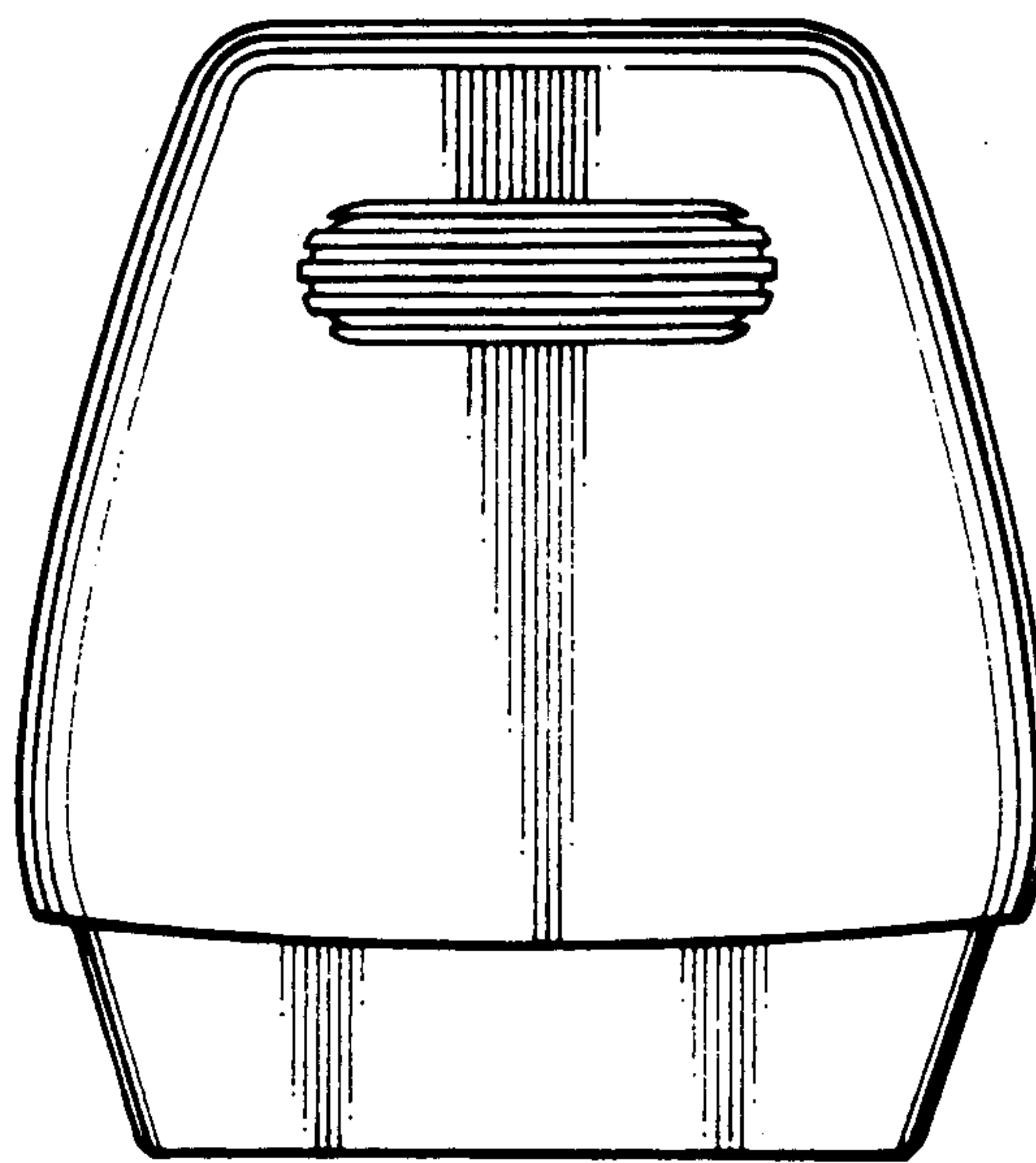


FIG. 5

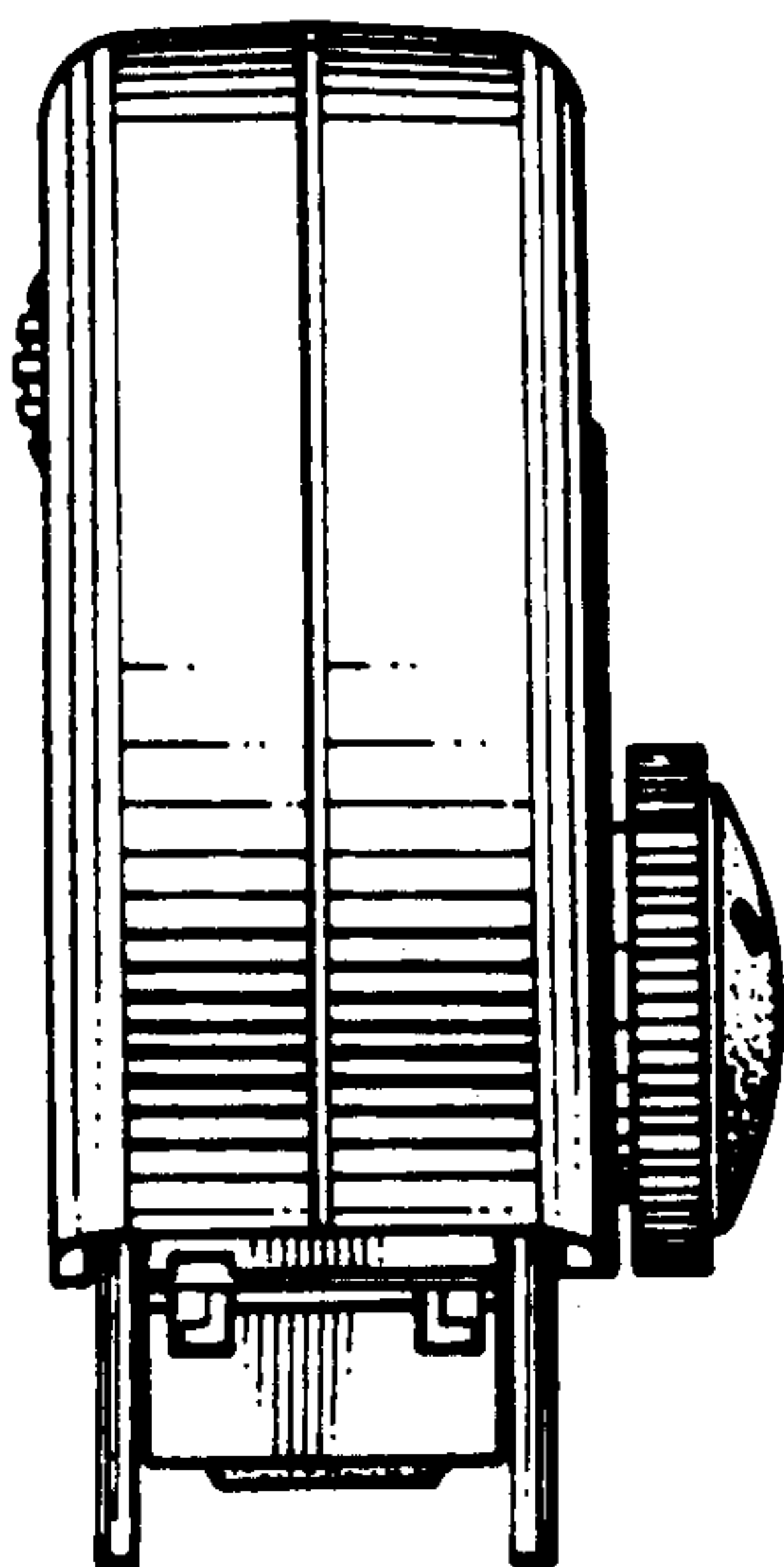


FIG. 6

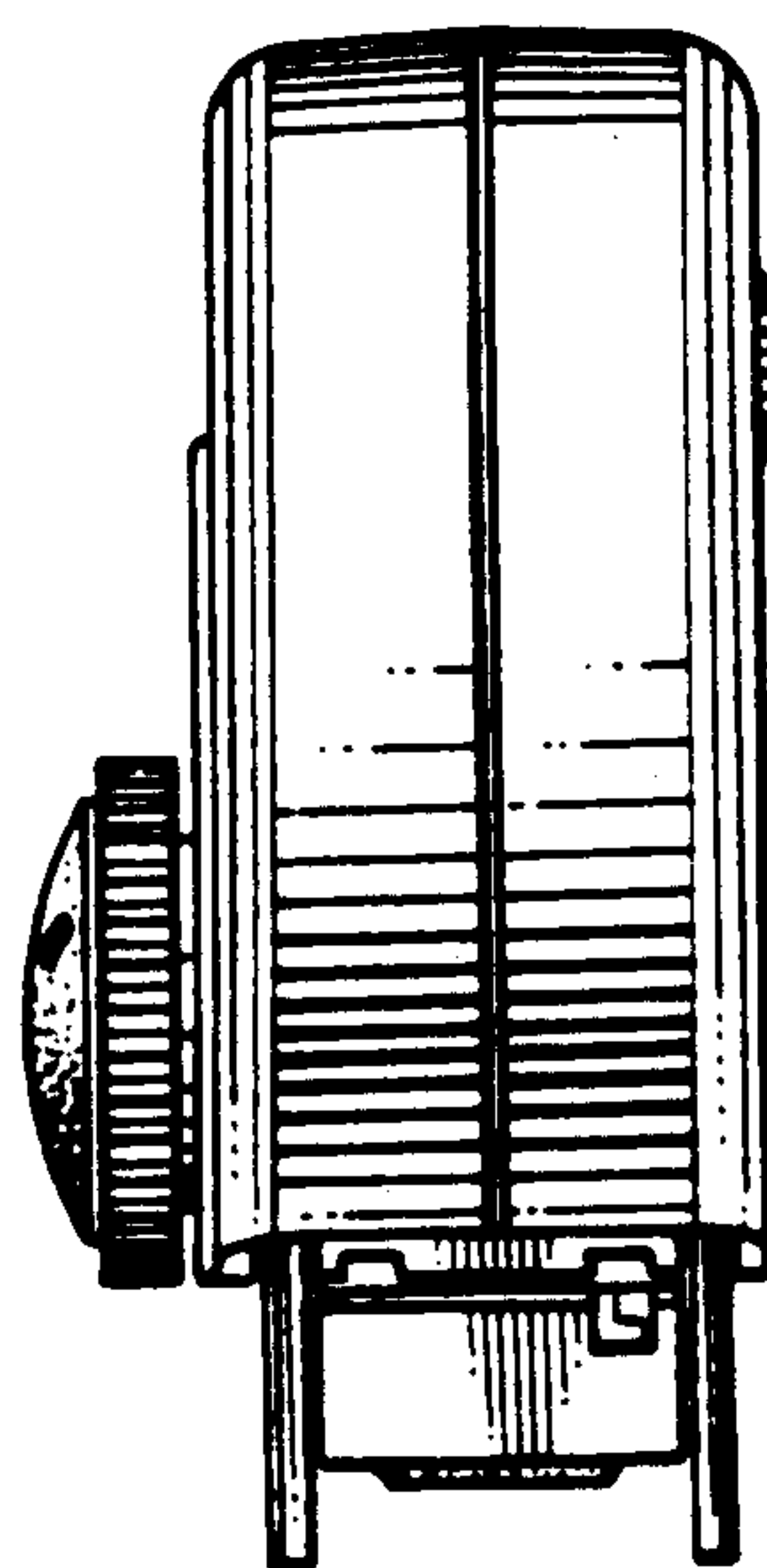


FIG. 7

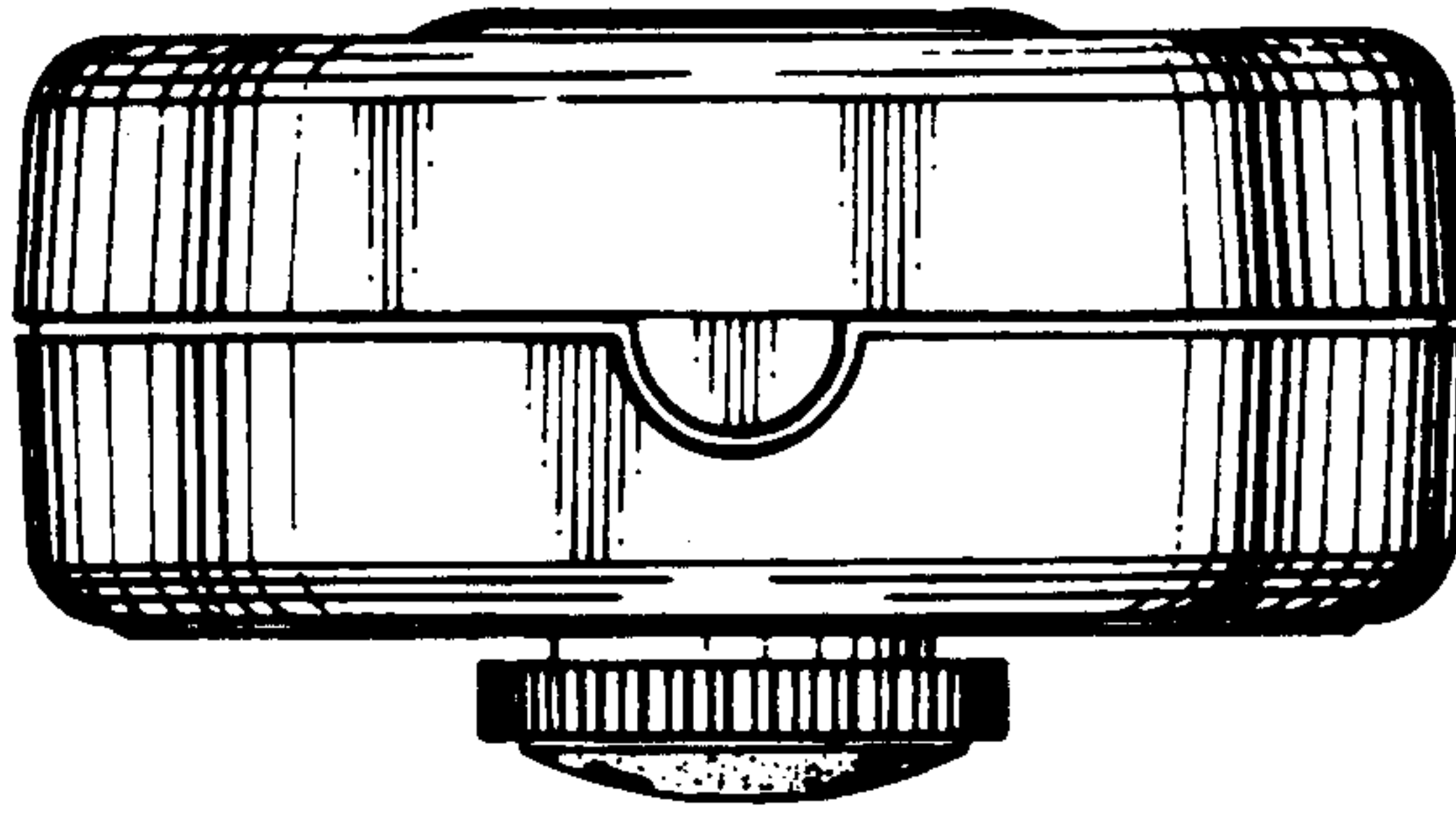


FIG. 8

