

[54] **PRINTER**

[75] Inventors: **Toru Irie; Yoshinori Kakiuchi; Shinichiro Imamura**, all of Kawasaki, Japan

[73] Assignee: **Fujitsu Limited**, Kanagawa, Japan

[**] Term: **14 Years**

[21] Appl. No.: **468,801**

[22] Filed: **Jan. 22, 1990**

[30] **Foreign Application Priority Data**

Jul. 24, 1989 [JP] Japan 01-27219

[52] U.S. Cl. **D18/13**

[58] Field of Search D14/111, 118; D18/13, D18/34, 36; 400/613, 613.2, 613.3, 613.4, 691-694; 364/708

[56] **References Cited**

U.S. PATENT DOCUMENTS

- D. 234,303 2/1975 Pycha et al. D14/111
- D. 249,347 9/1978 Zierhut D14/111
- D. 279,902 7/1985 Genaro et al. D14/111

- D. 293,113 12/1987 Foy D14/111
- D. 310,096 8/1990 Heimburger D18/13
- D. 312,268 11/1990 Helmetsie D18/36

OTHER PUBLICATIONS

Microcomputing; Jan. 1984; p. 3; Star Micronics, Inc. advertisement.

Byte Publications, Inc.; Sep. 1983; p. 32; Transtar Printer advertisement.

Primary Examiner—A. Hugo Word
Assistant Examiner—Cathy Anne MacCormac
Attorney, Agent, or Firm—Staas & Halsey

[57] **CLAIM**

The ornamental design for a printer, as shown.

DESCRIPTION

FIG. 1 is a front elevational view of a printer showing our new design;
FIG. 2 is a rear elevational view thereof;
FIG. 3 is a right-side elevational view thereof;
FIG. 4 is a left-side elevational view thereof;
FIG. 5 is a top plan view thereof;
FIG. 6 is a bottom plan view thereof; and
FIG. 7 is a perspective view thereof.

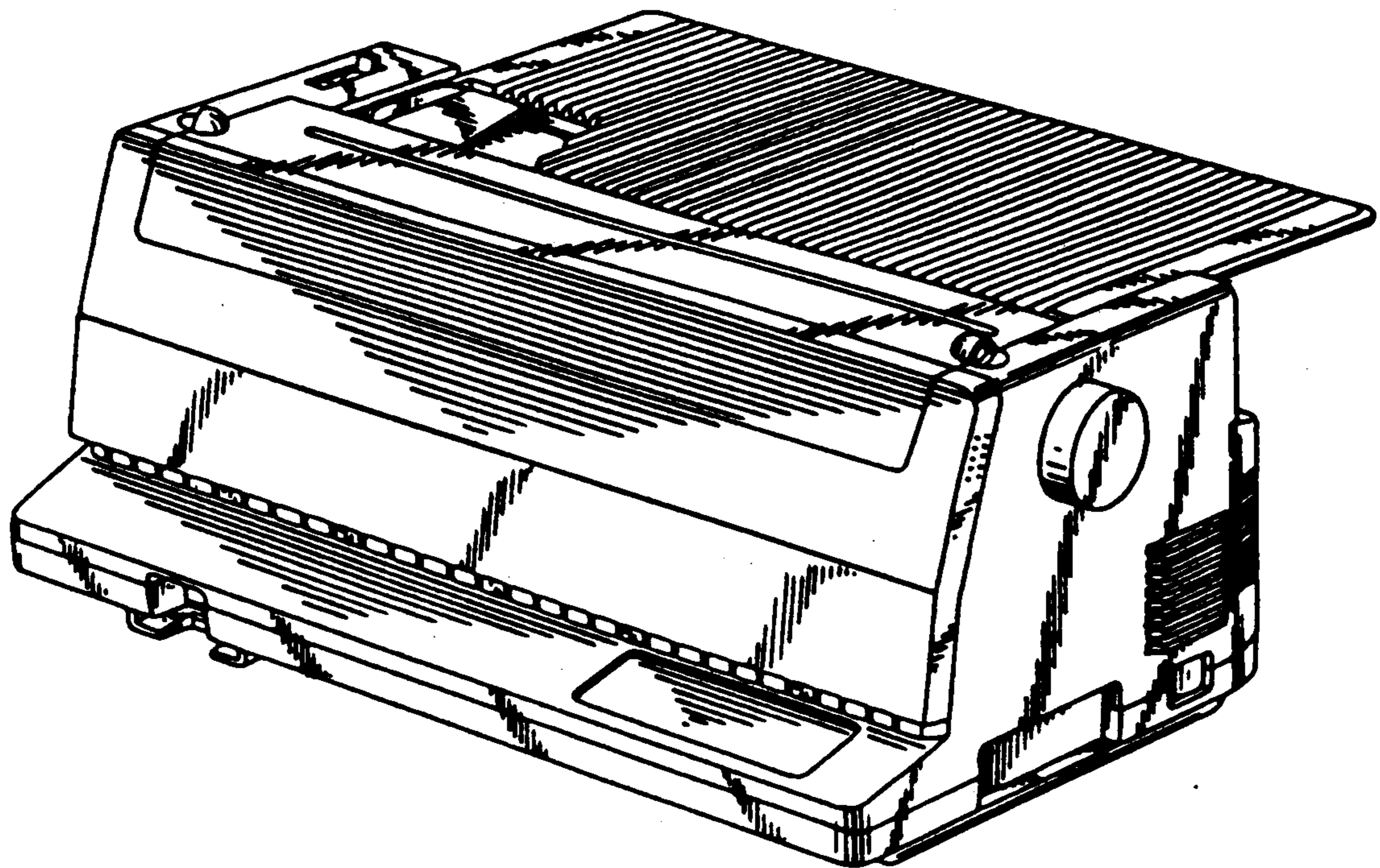


FIG. 1

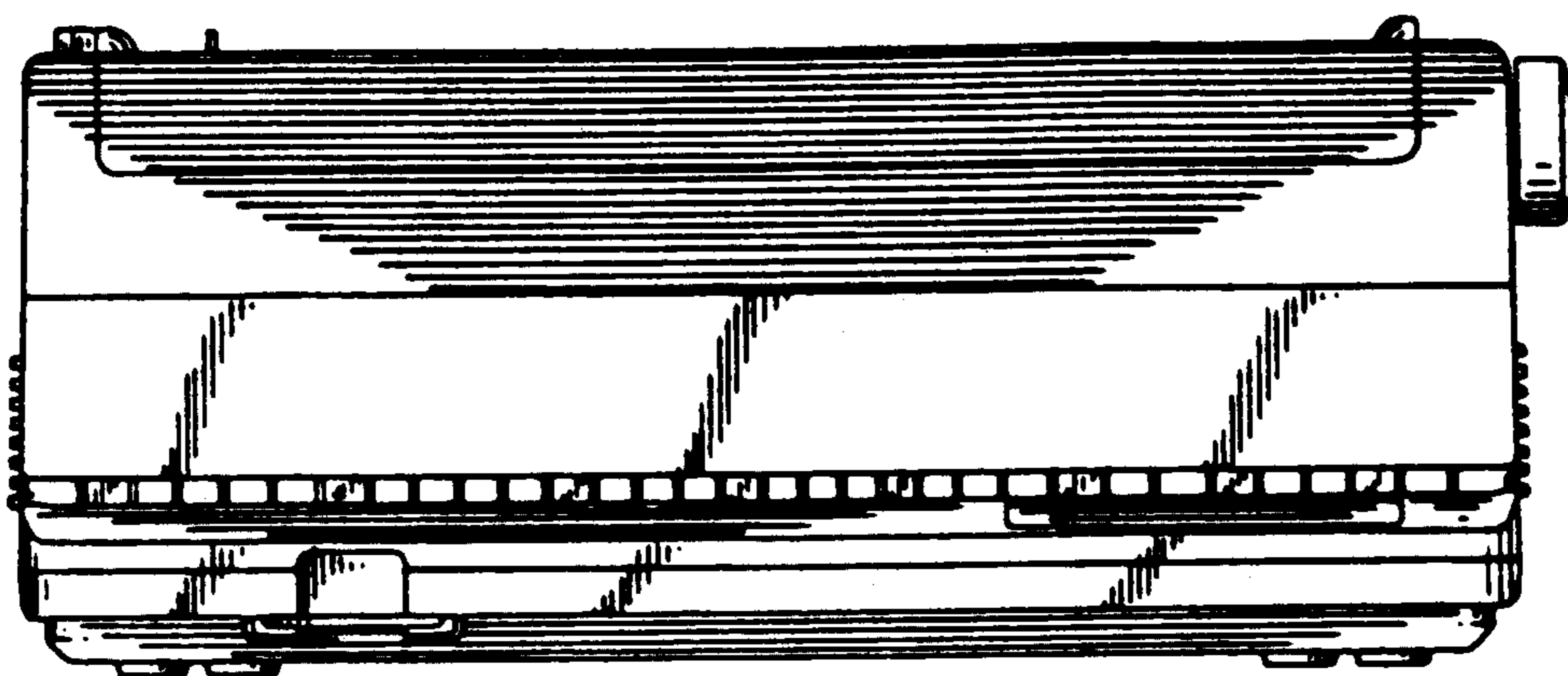


FIG. 2

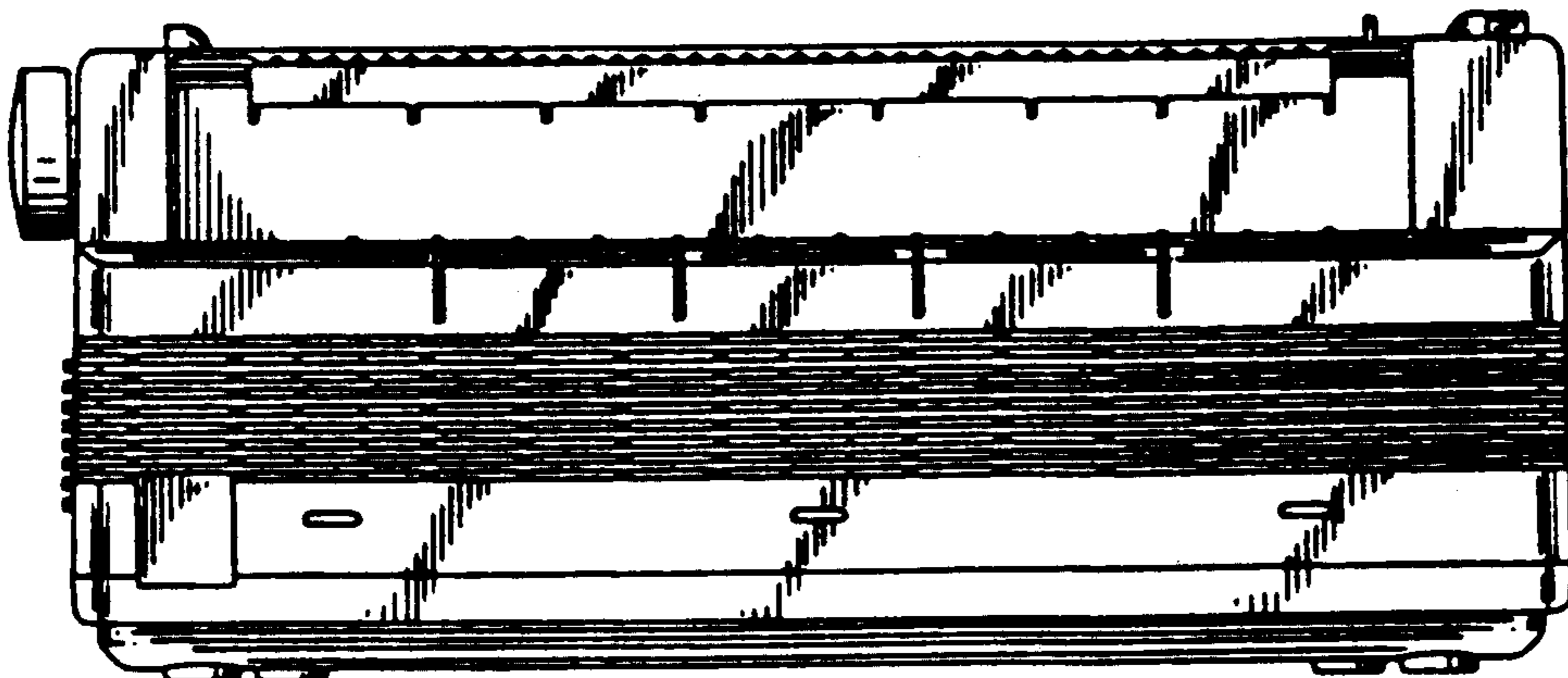


FIG. 3

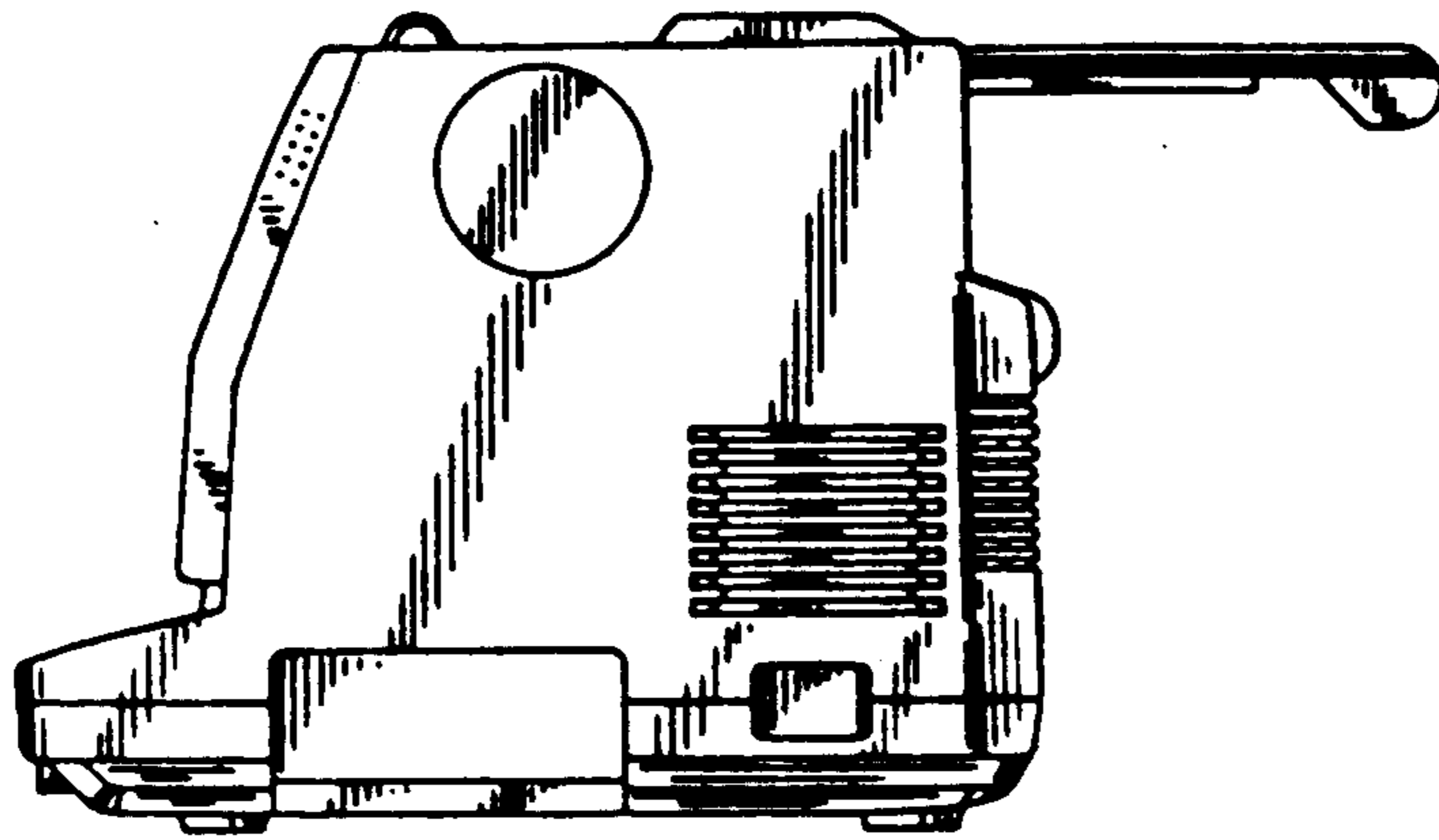


FIG. 4

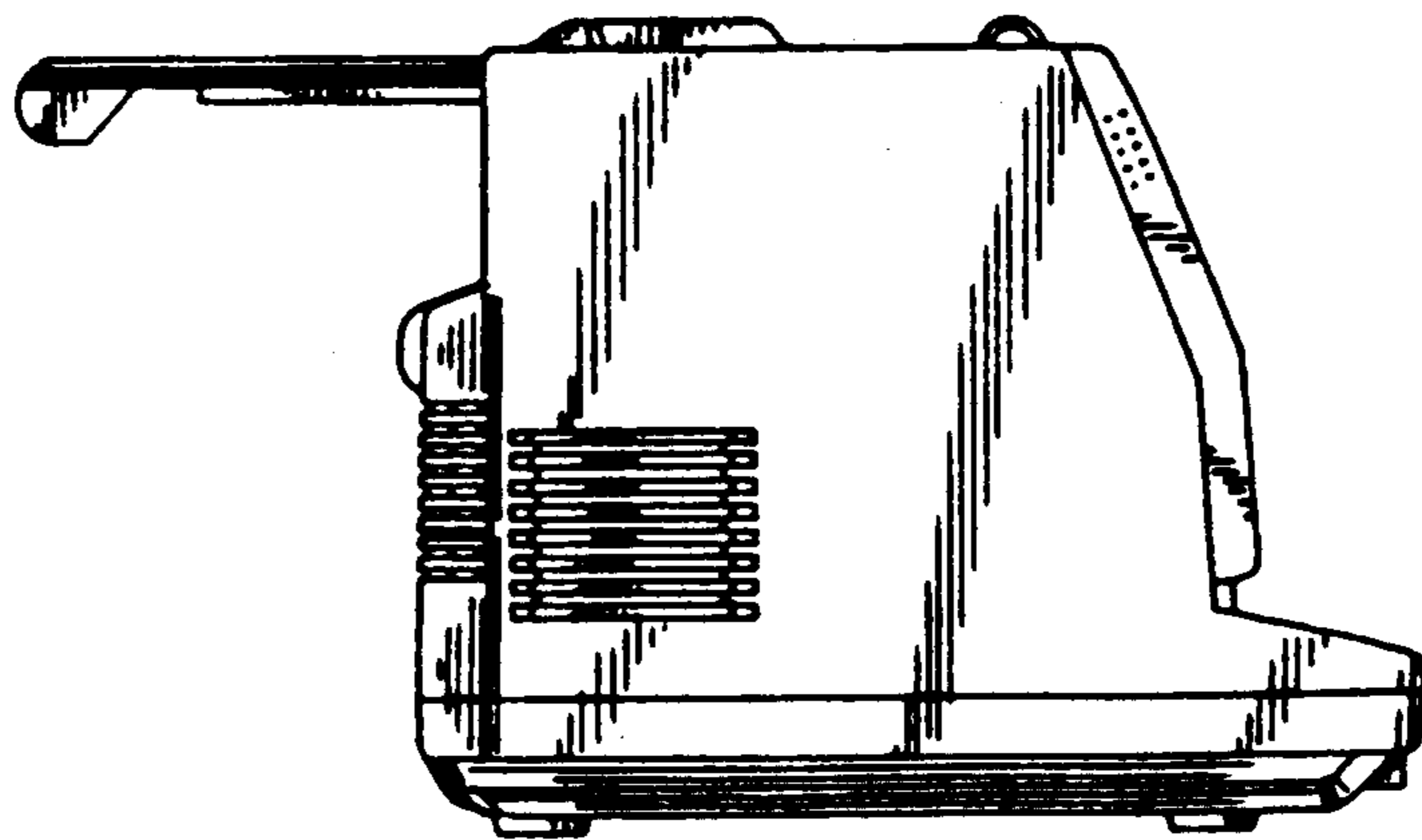


FIG. 5

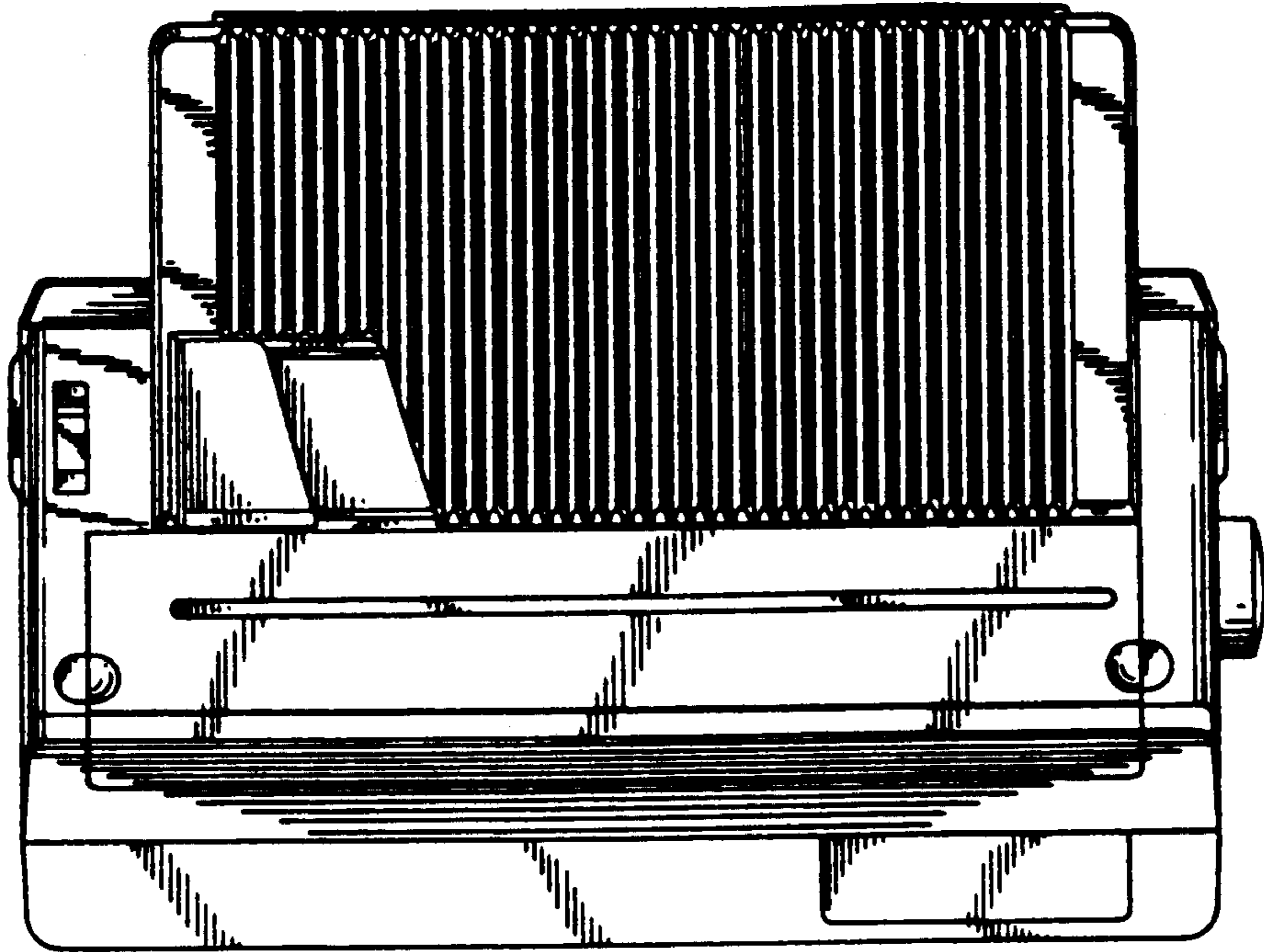


FIG. 6

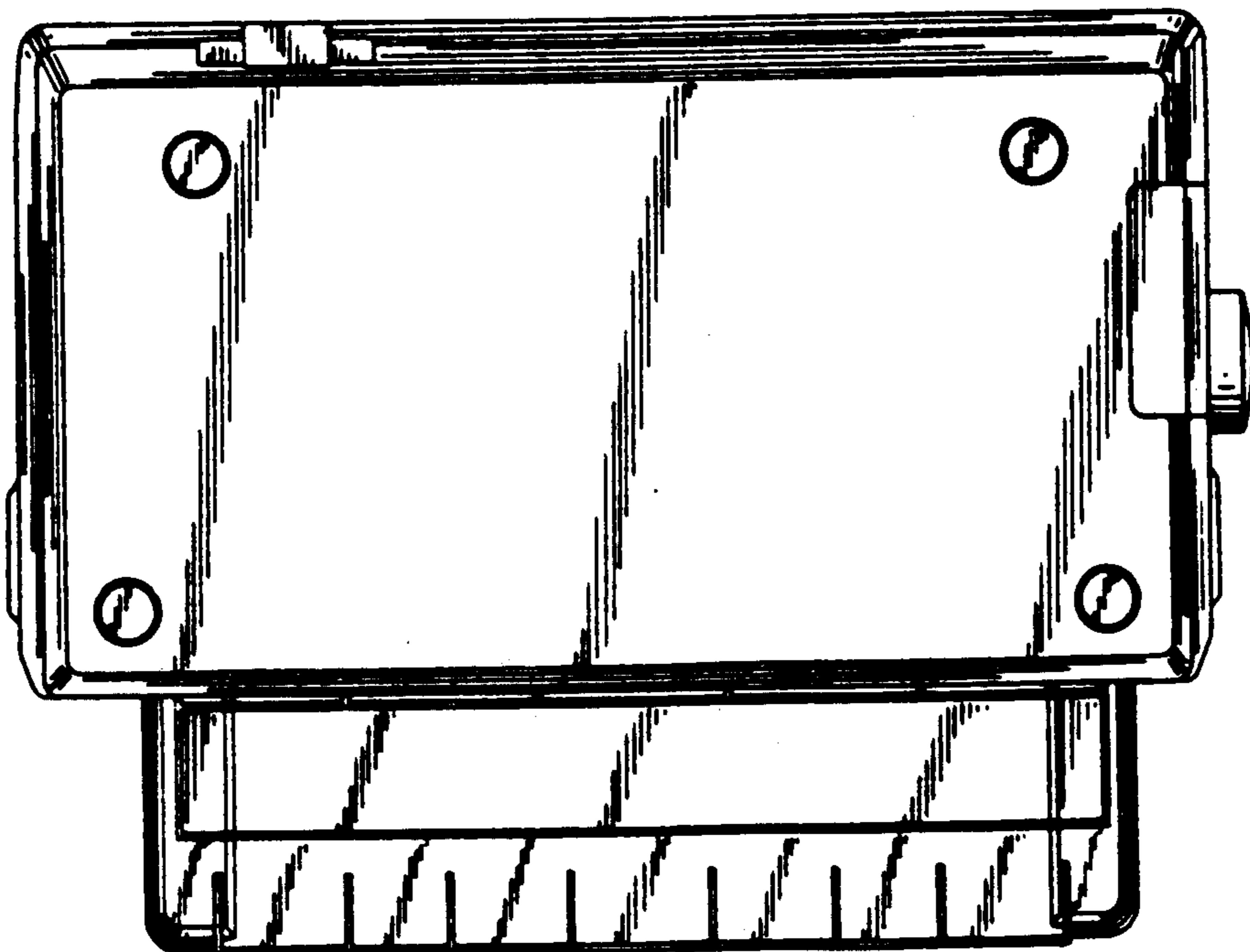


FIG. 7

