

[54] INK RIBBON CASSETTE FOR A PRINTER

[75] Inventor: Katsuhisa Gokita, Tokyo, Japan

[73] Assignee: Seikosha Co., Ltd., Japan

[\*\*] Term: 14 Years

[21] Appl. No.: 172,124

[22] Filed: Mar. 23, 1988

[30] Foreign Application Priority Data

Oct. 15, 1987 [JP] Japan ..... 62-42114

[52] U.S. Cl. .... D18/12; D18/22

[58] Field of Search ..... D18/12, 22, 99; 400/191-196, 208

[56] References Cited

U.S. PATENT DOCUMENTS

- 4,269,520 5/1981 Gabler ..... 400/196
- 4,279,522 7/1981 Yonkers ..... 400/195 X
- 4,801,215 1/1989 Paffhausen et al. .... 400/208 X

FOREIGN PATENT DOCUMENTS

- 0010480 1/1986 Japan ..... 400/208
- 0228978 10/1986 Japan ..... 400/196.1

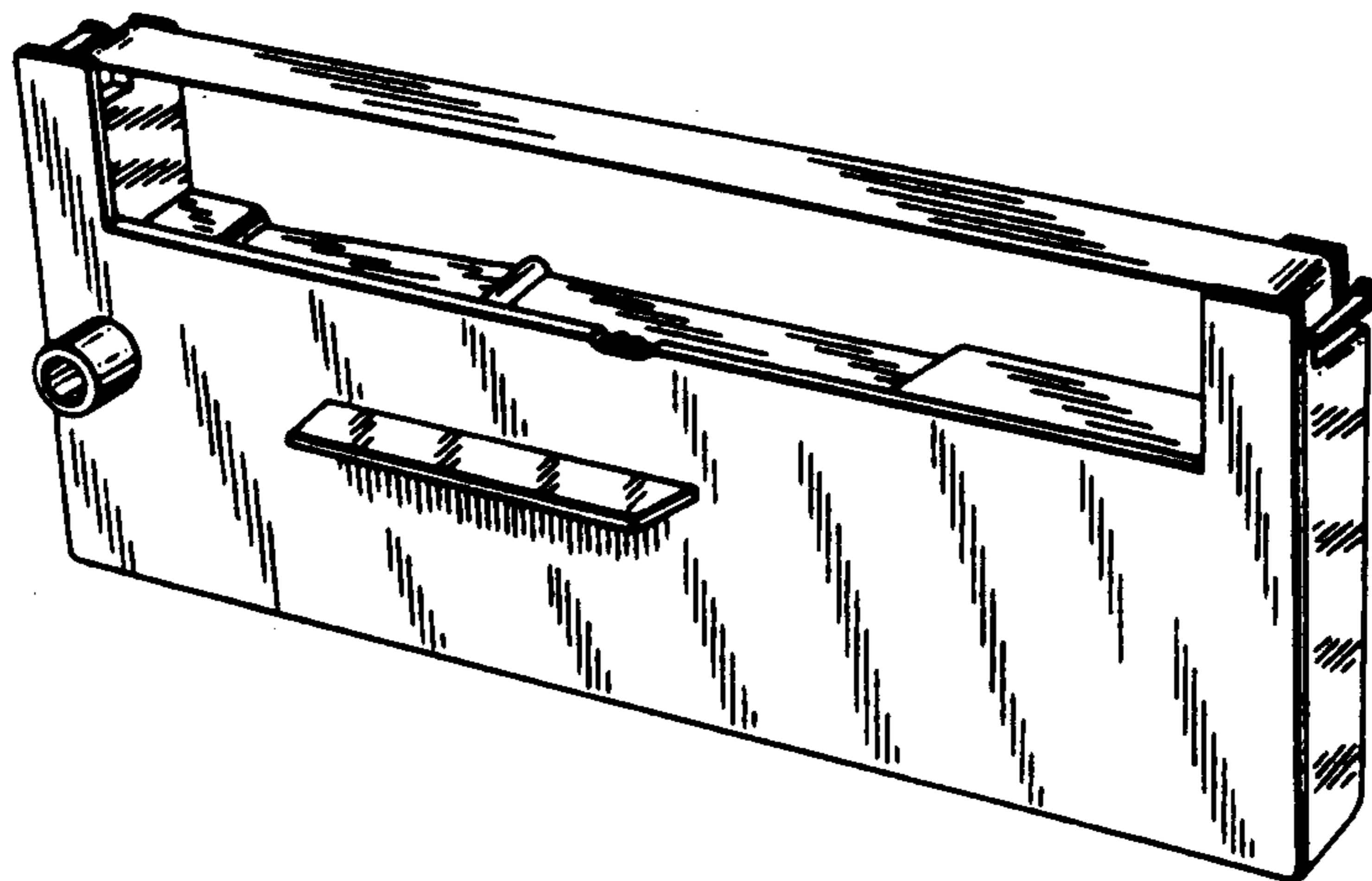
Primary Examiner—Nelson C. Holtje  
Assistant Examiner—Caron D. Veynar  
Attorney, Agent, or Firm—Bruce L. Adams; Van C. Wilks

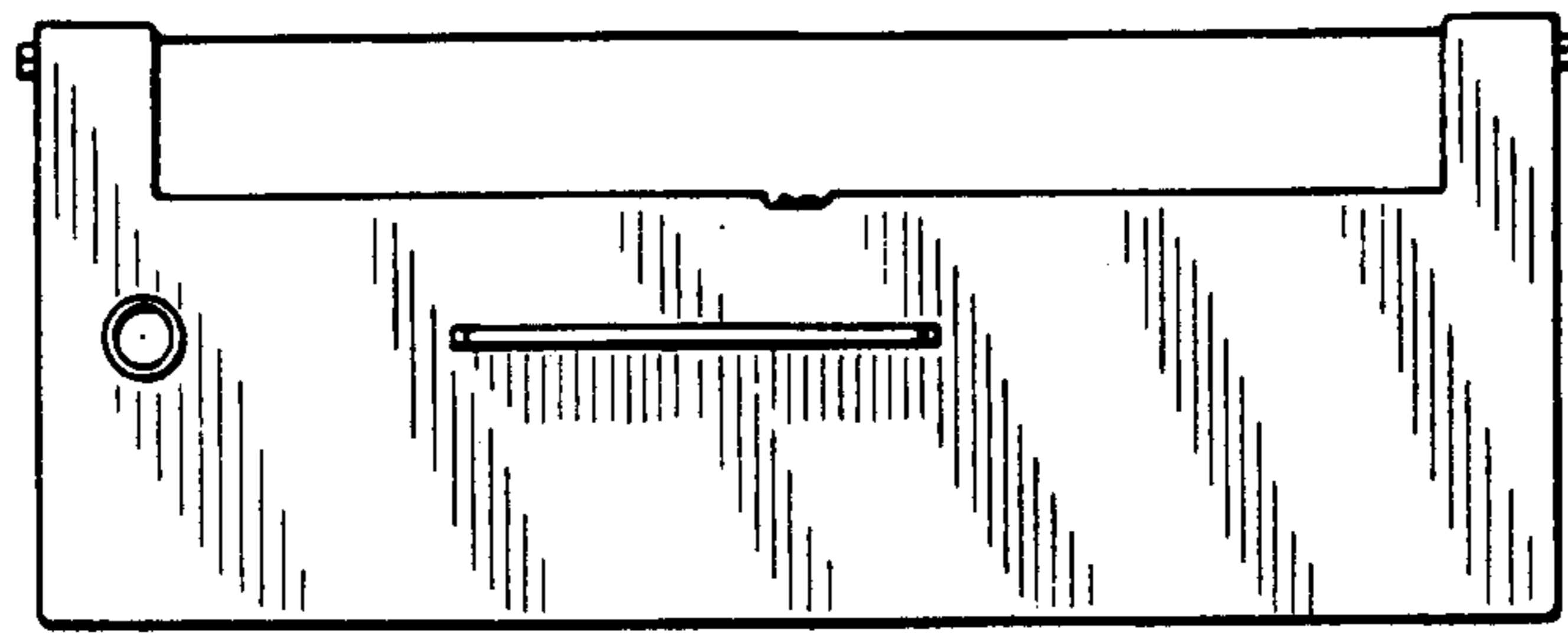
[57] CLAIM

The ornamental design for an ink ribbon cassette for a printer, as shown and described.

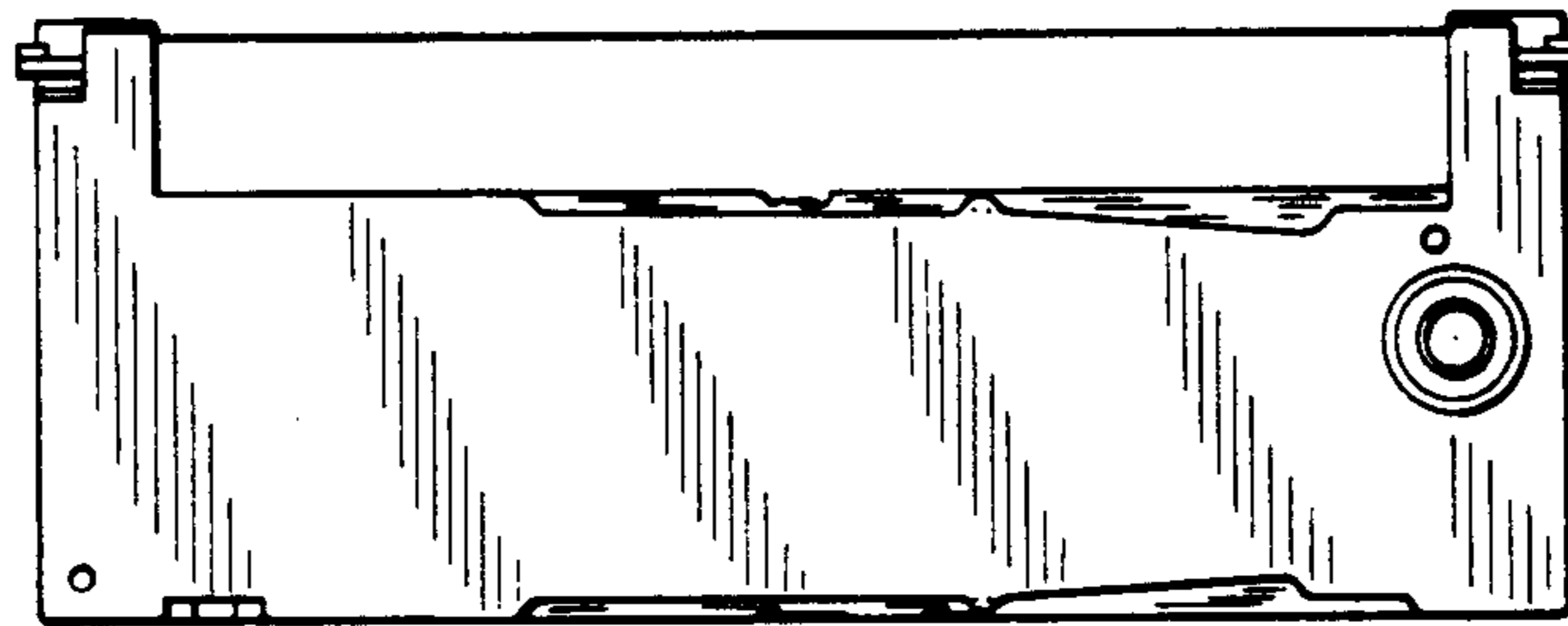
DESCRIPTION

FIG. 1 is a front elevational view of an ink ribbon cassette for a printer showing my new design; FIG. 2 is a rear elevational view thereof; FIG. 3 is a top plan view thereof; FIG. 4 is a bottom plan view thereof; FIG. 5 is a left side elevational view thereof; FIG. 6 is a right side elevational view thereof; and FIG. 7 is a front and right top perspective view thereof.

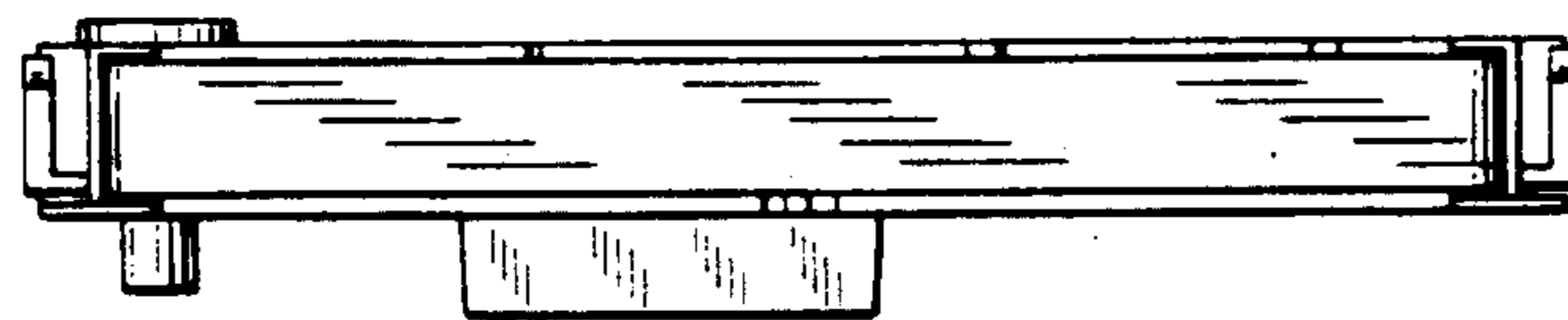




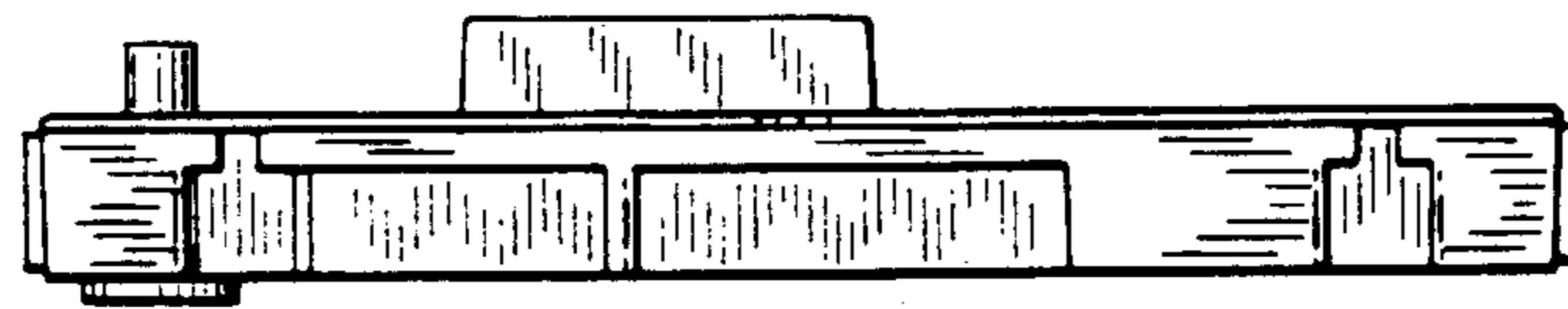
*FIG. 1*



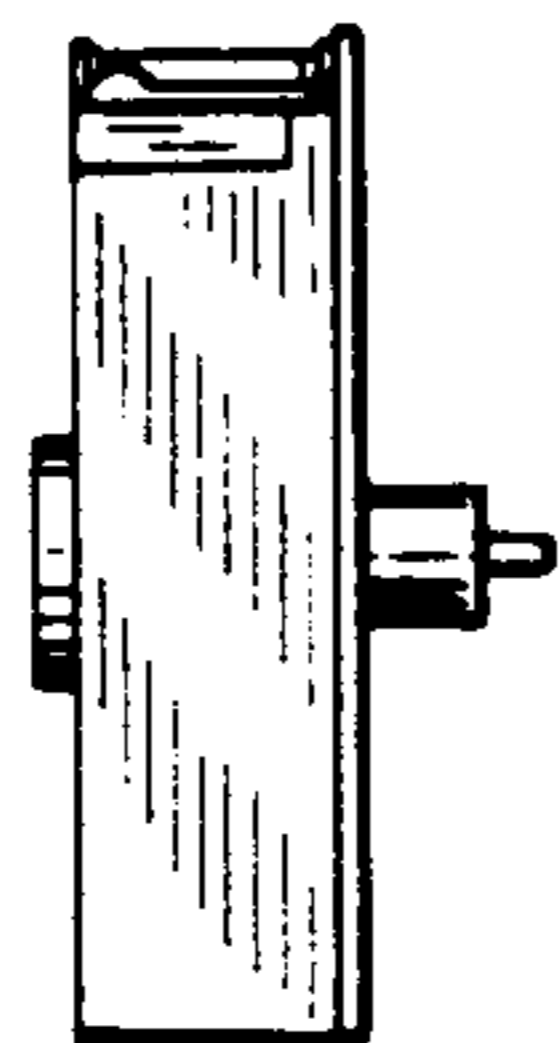
*FIG. 2*



*FIG. 3*



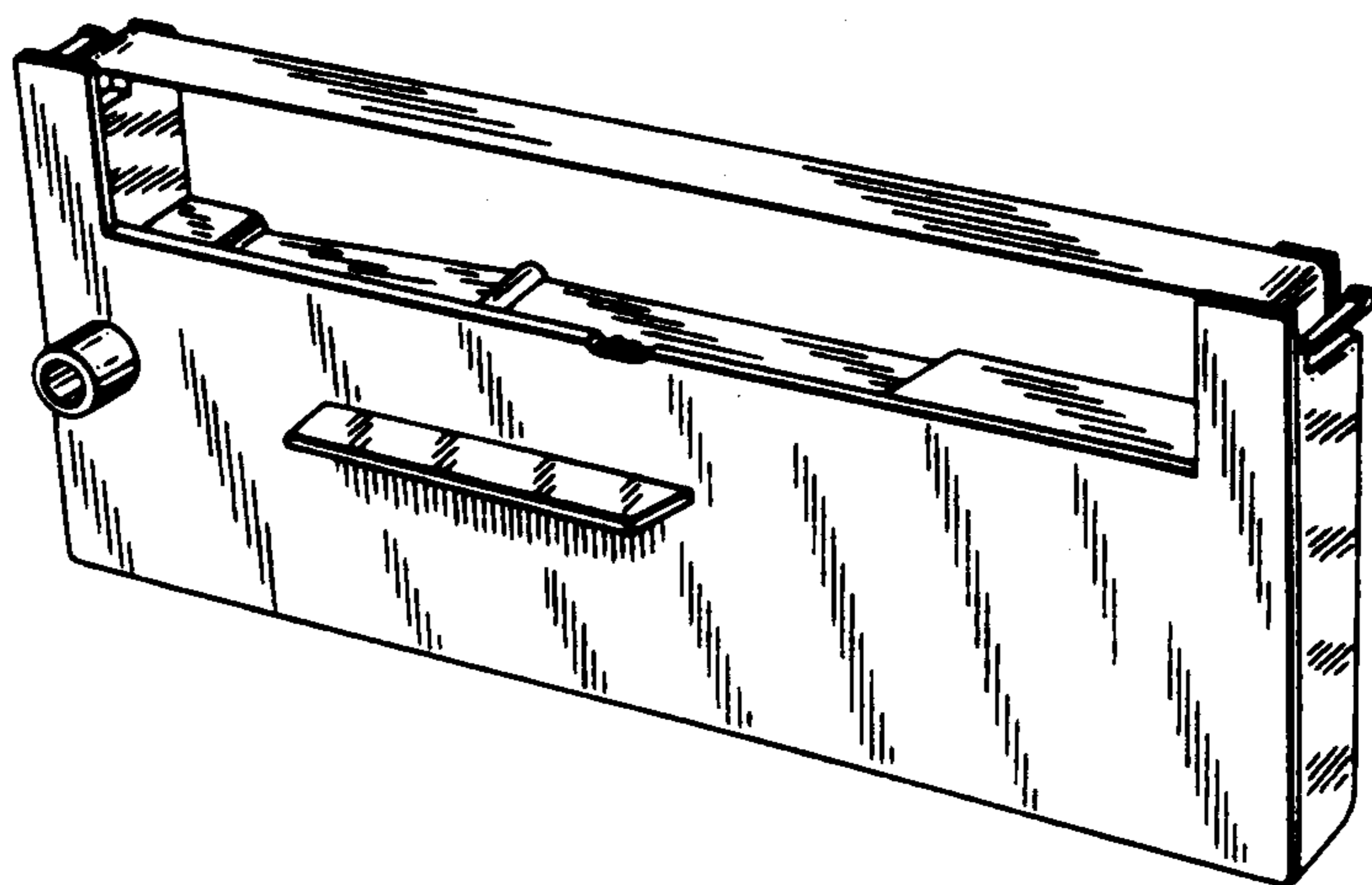
*FIG. 4*



*FIG. 5*



*FIG. 6*



*FIG. 7*