

[54] MUSIC BOX OR THE LIKE

[76] Inventor: Corey N. Savage, 2905 SW. 22nd Ave., #204, Delray Beach, Fla. 33445

[**] Term: 14 Years

[21] Appl. No.: 906,185

[22] Filed: Sep. 11, 1986

[52] U.S. Cl. D17/24

[58] Field of Search D17/24, 99; D21/64, D21/115; 40/152.1, 152.2, 455; 84/94.1, 94.2, 95.1, 95.2; 362/86

[56] References Cited

U.S. PATENT DOCUMENTS

D. 169,095	3/1953	Petry	D17/24
D. 259,612	6/1981	Wagner	D17/24
355,089	12/1886	Tuillerat	40/455
428,795	5/1890	Auw	84/94.2
2,321,365	6/1943	Darche	84/94.2
2,473,938	6/1949	Cannizzaro et al.	84/95.2

2,588,545	3/1952	Lawrence	40/152.2
4,102,067	7/1978	Tarrant	40/455
4,670,820	6/1987	Eddins et al.	362/86

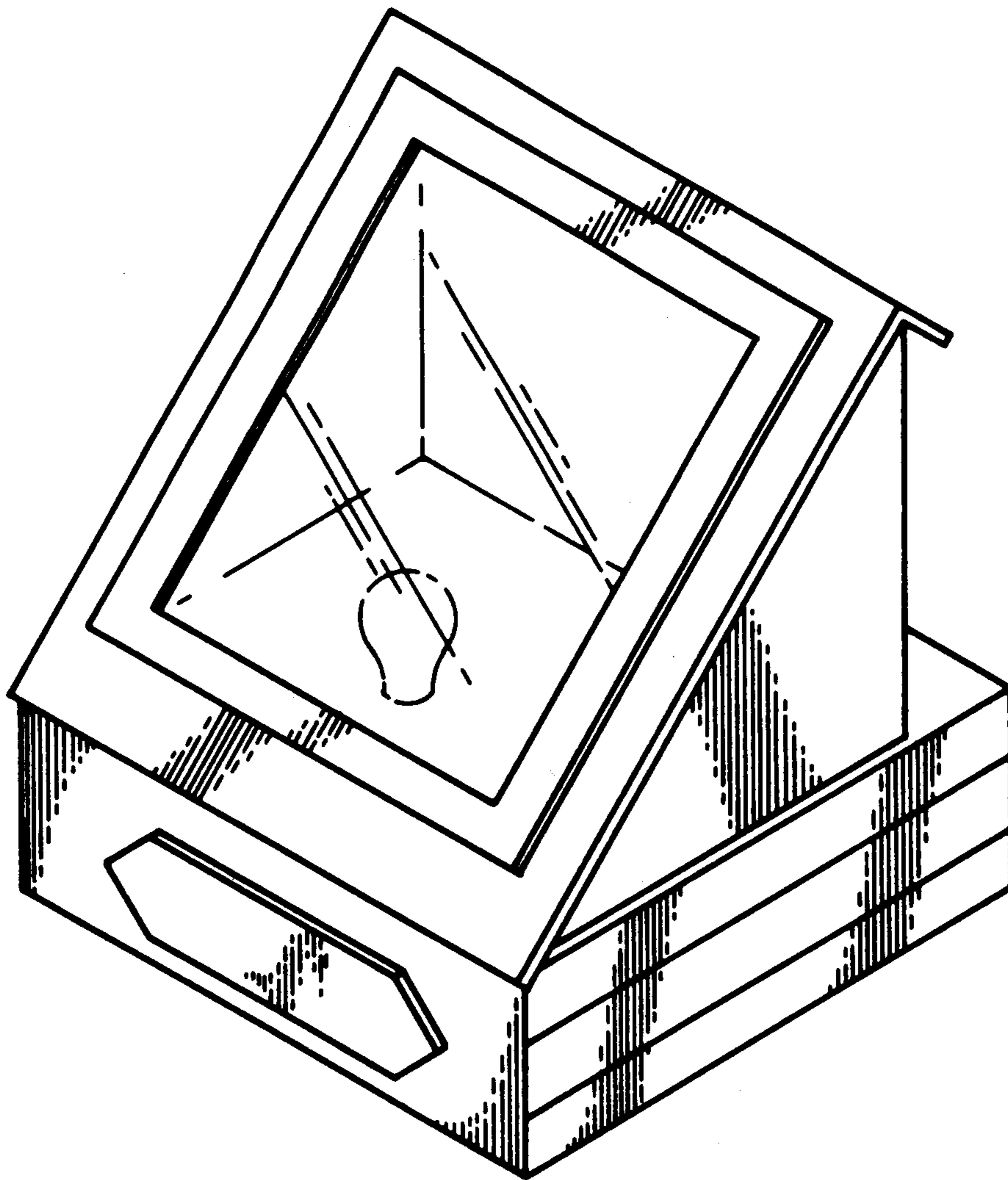
Primary Examiner—Bernard Ansher
Assistant Examiner—Adir Aronovich
Attorney, Agent, or Firm—Terry M. Gernstein

[57] CLAIM

The ornamental design for a music box or the like, as shown and described.

DESCRIPTION

FIG. 1 is a top front perspective view of a music box or the like showing my new design; FIG. 2 is a left side elevational view thereof; the opposite side being a mirror image of the side shown; FIG. 3 is a rear elevational view thereof; FIG. 4 is a top plan view thereof; and FIG. 5 is a bottom plan view thereof. The broken lines representing the light bulb are shown for illustrative purposes only and forms no part of the claimed design.



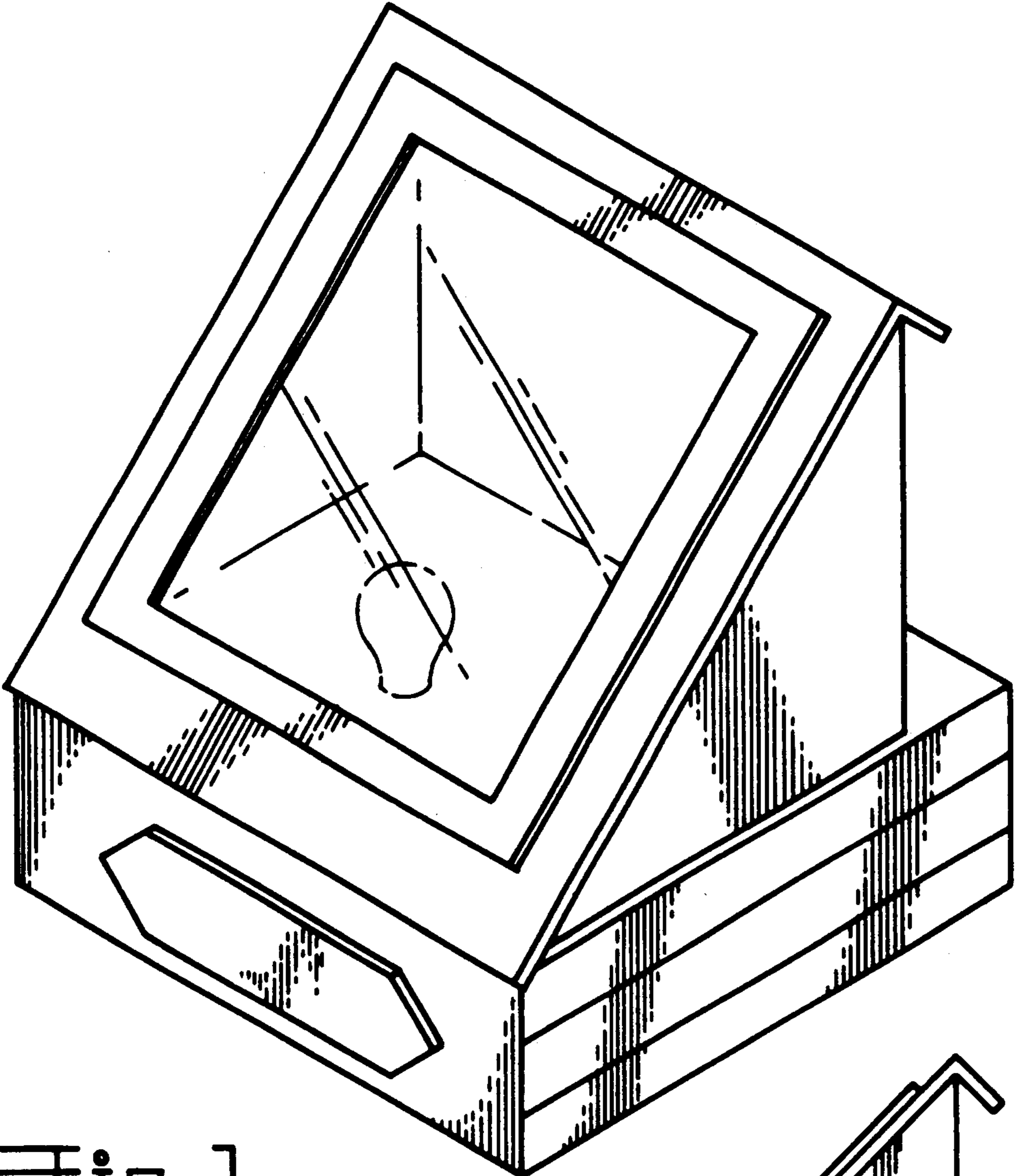


Fig. 1

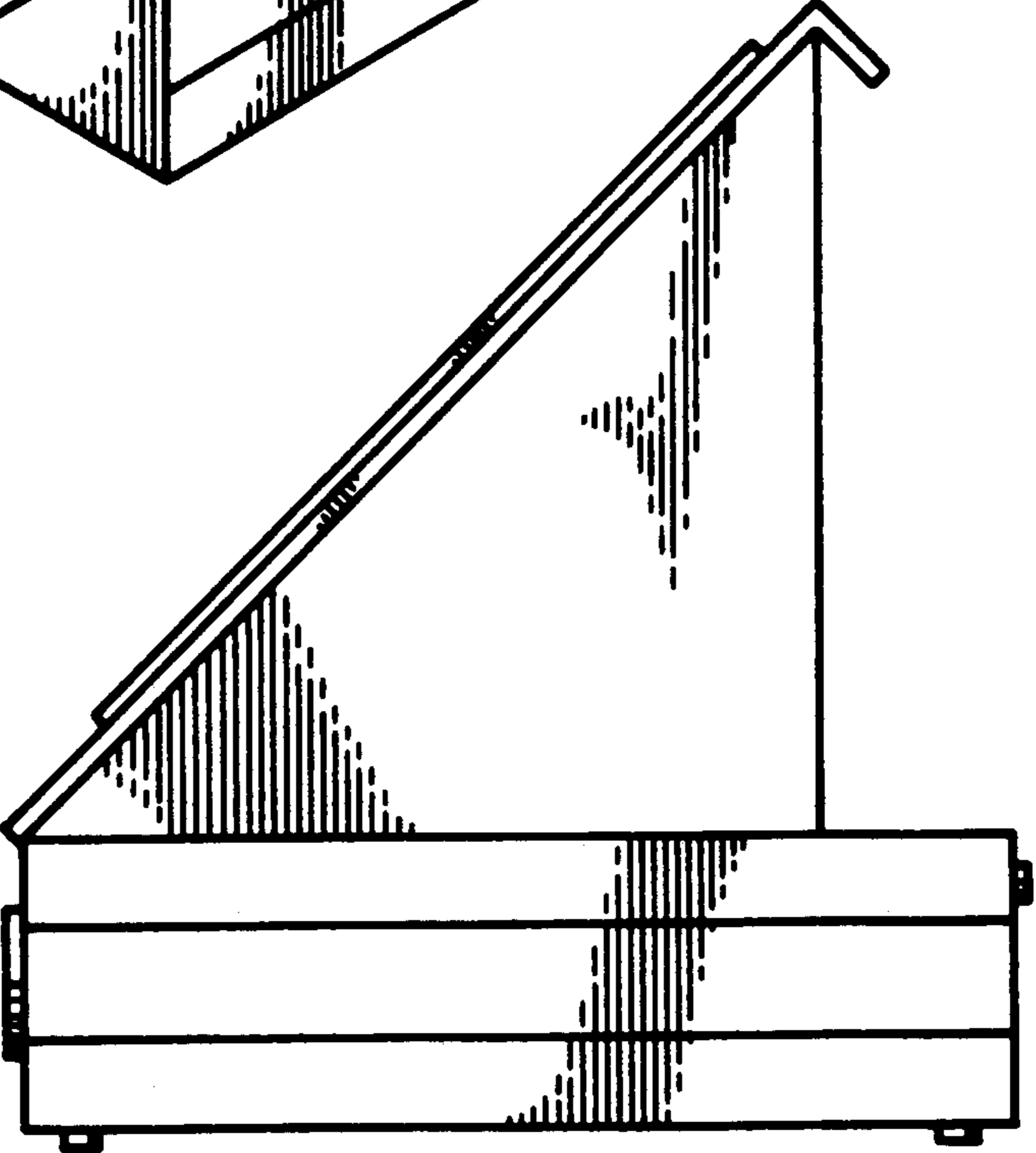


Fig. 2

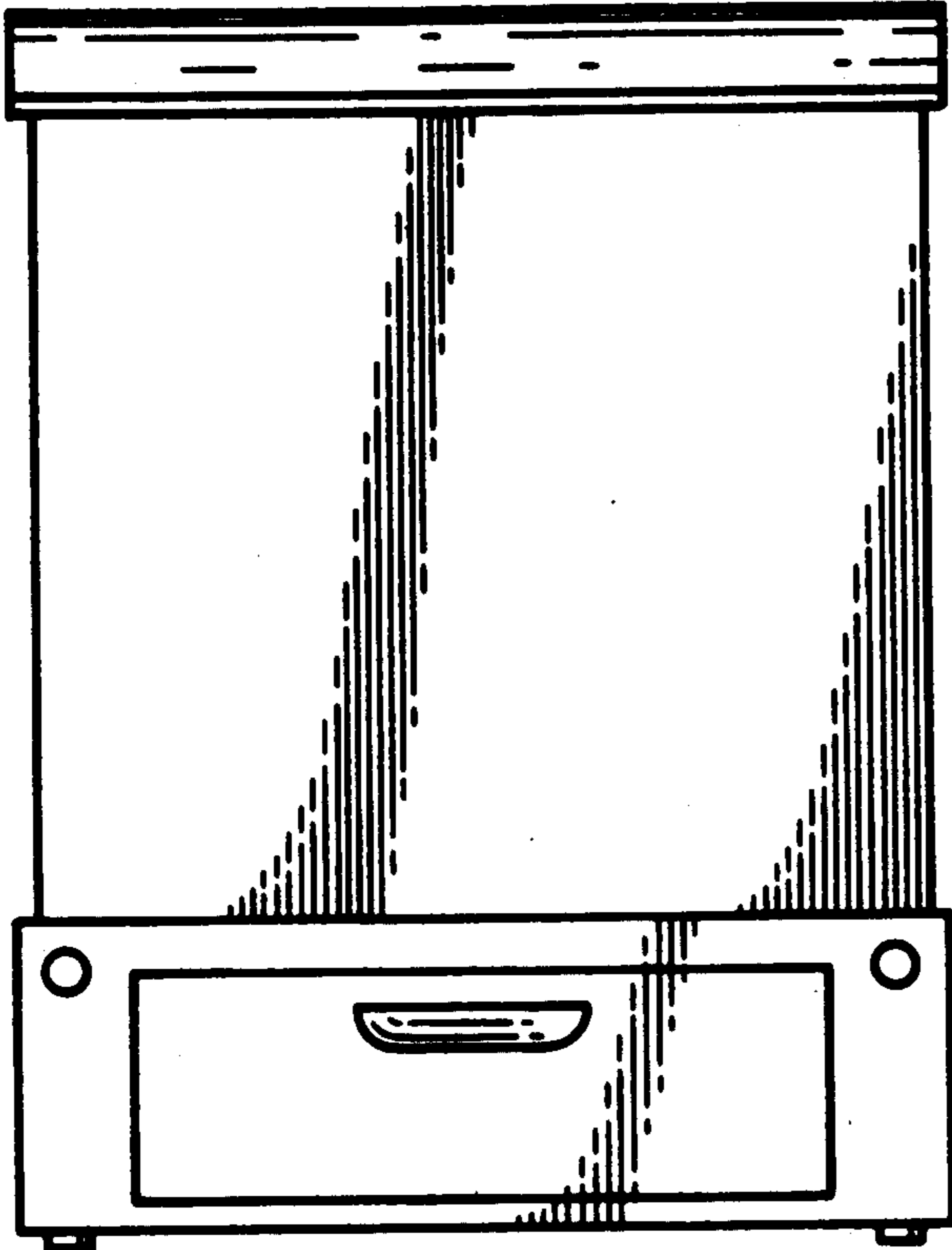


Fig. 3

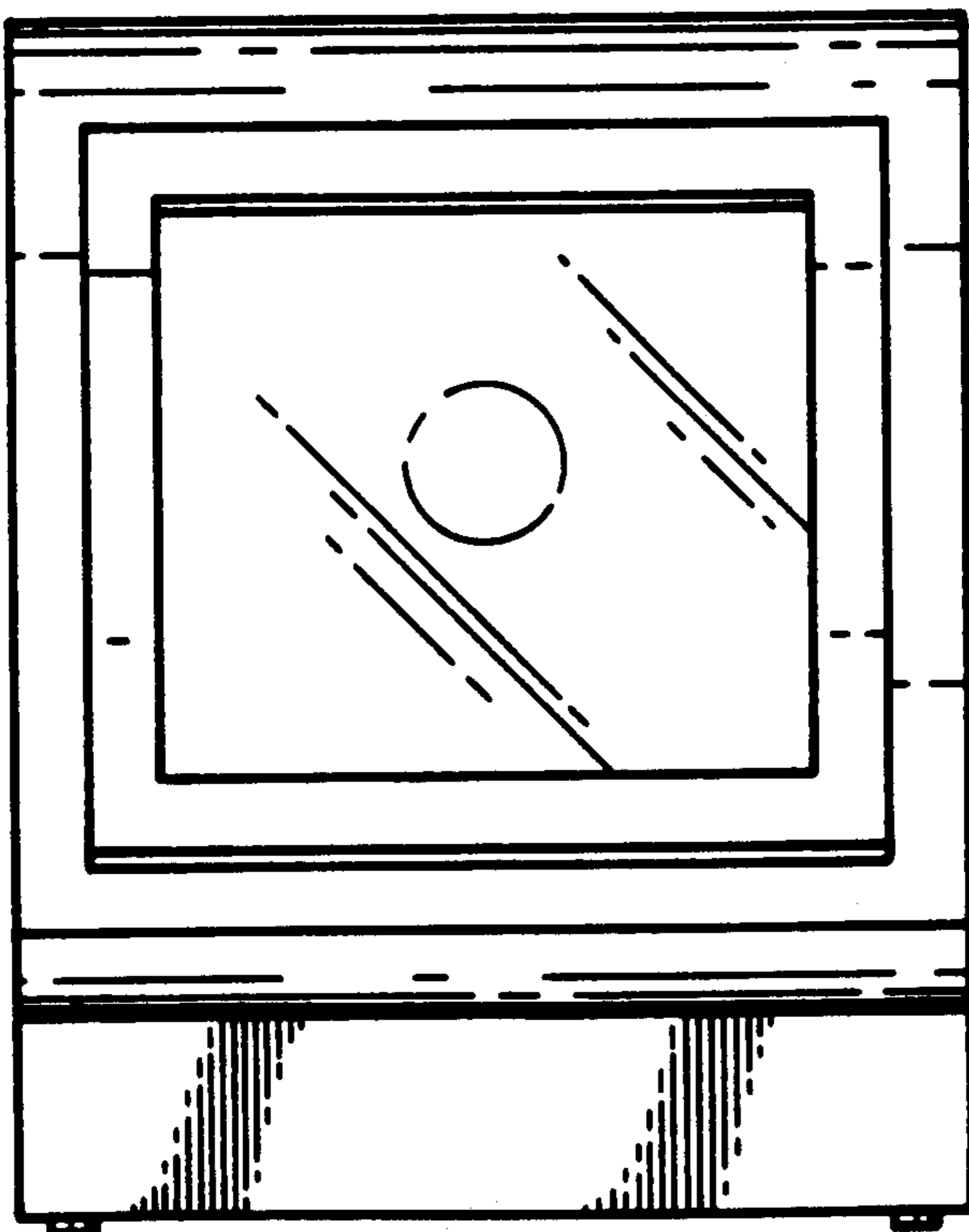


Fig. 4

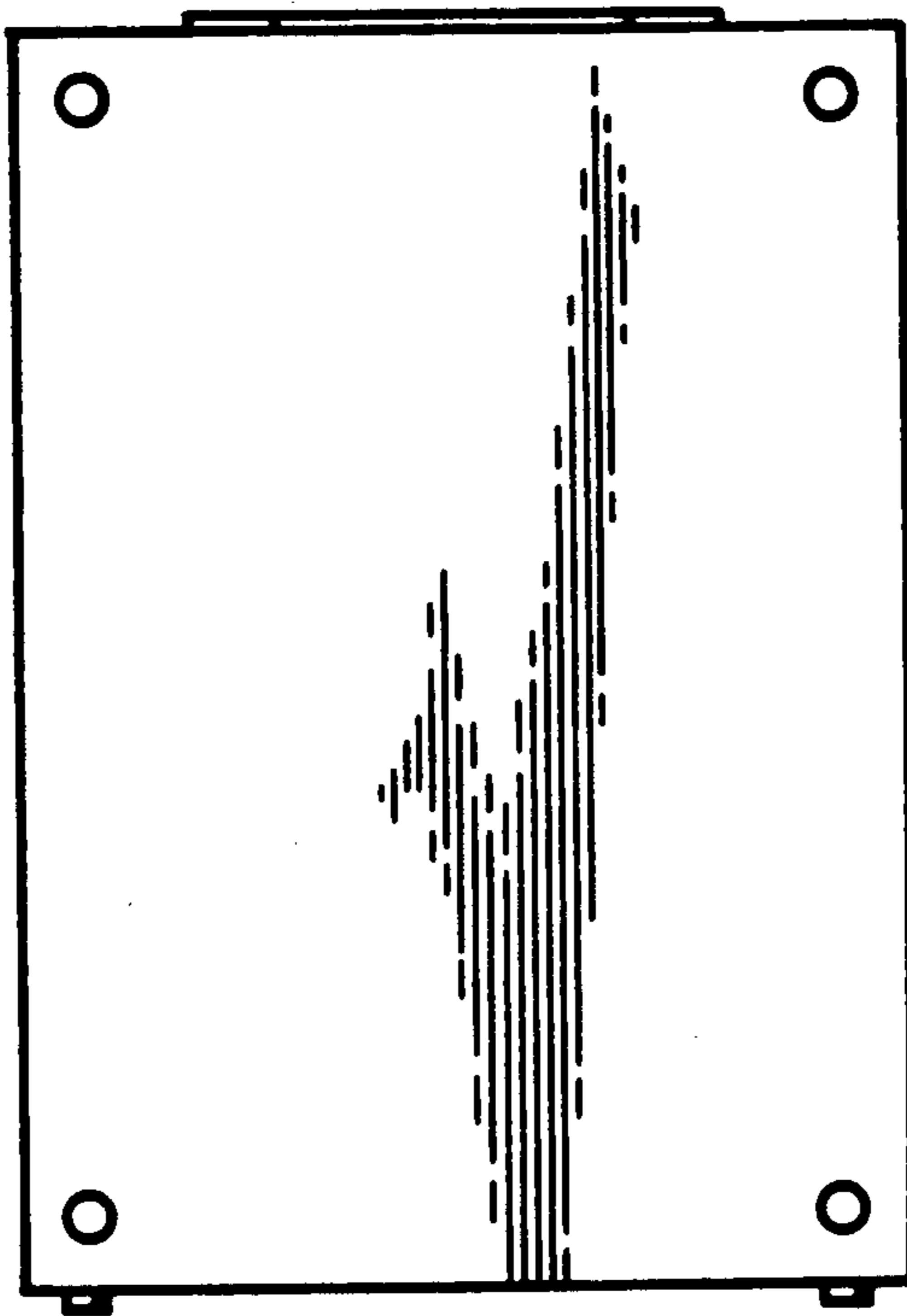


Fig. 5