

[54] EYEGGLASS HOLDER

[76] Inventor: Allan W. Ferdi, 2207 Zollinger Rd., Columbus, Ohio 43221

[**] Term: 14 Years

[21] Appl. No.: 245,535

[22] Filed: Sep. 19, 1988

[52] U.S. Cl. D16/129

[58] Field of Search D16/129; D3/34; D19/77; 211/13, 87; 248/316.7, 309.1; D8/373

[56] References Cited

U.S. PATENT DOCUMENTS

- D. 242,511 11/1976 Enckler D8/373
- D. 254,069 1/1980 Haley D8/373
- D. 266,858 11/1982 Cole D8/373 X
- D. 272,023 1/1984 Mayer et al. D8/373 X

- 2,573,376 10/1951 Wirth 211/87
- 2,576,560 11/1951 Bidmon 248/309.1 X
- 4,336,887 6/1982 Dunne 211/87 X

Primary Examiner—Bruce W. Dunkins
Assistant Examiner—Monica Hannon
Attorney, Agent, or Firm—Thomas S. Baker, Jr.

[57] CLAIM

The ornamental design for an eyeglass holder, as shown and described.

DESCRIPTION

FIG. 1 is a front perspective view of an eyeglass holder showing my new design;
FIG. 2 is a front view thereof;
FIG. 3 is a rear view thereof;
FIG. 4 is a side view thereof;
FIG. 5 is a top view thereof; and
FIG. 6 is a bottom view thereof.

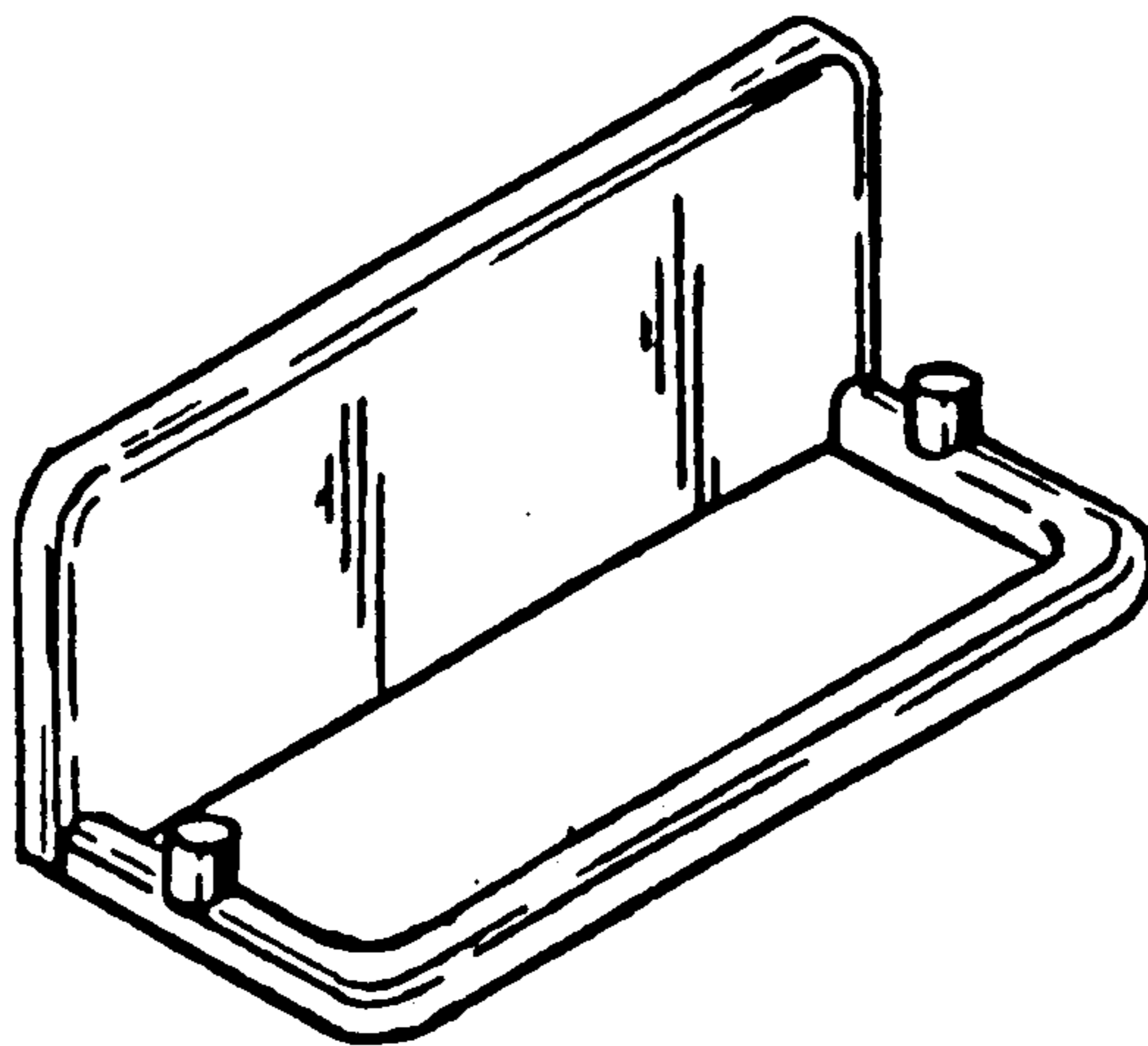


FIG. 1

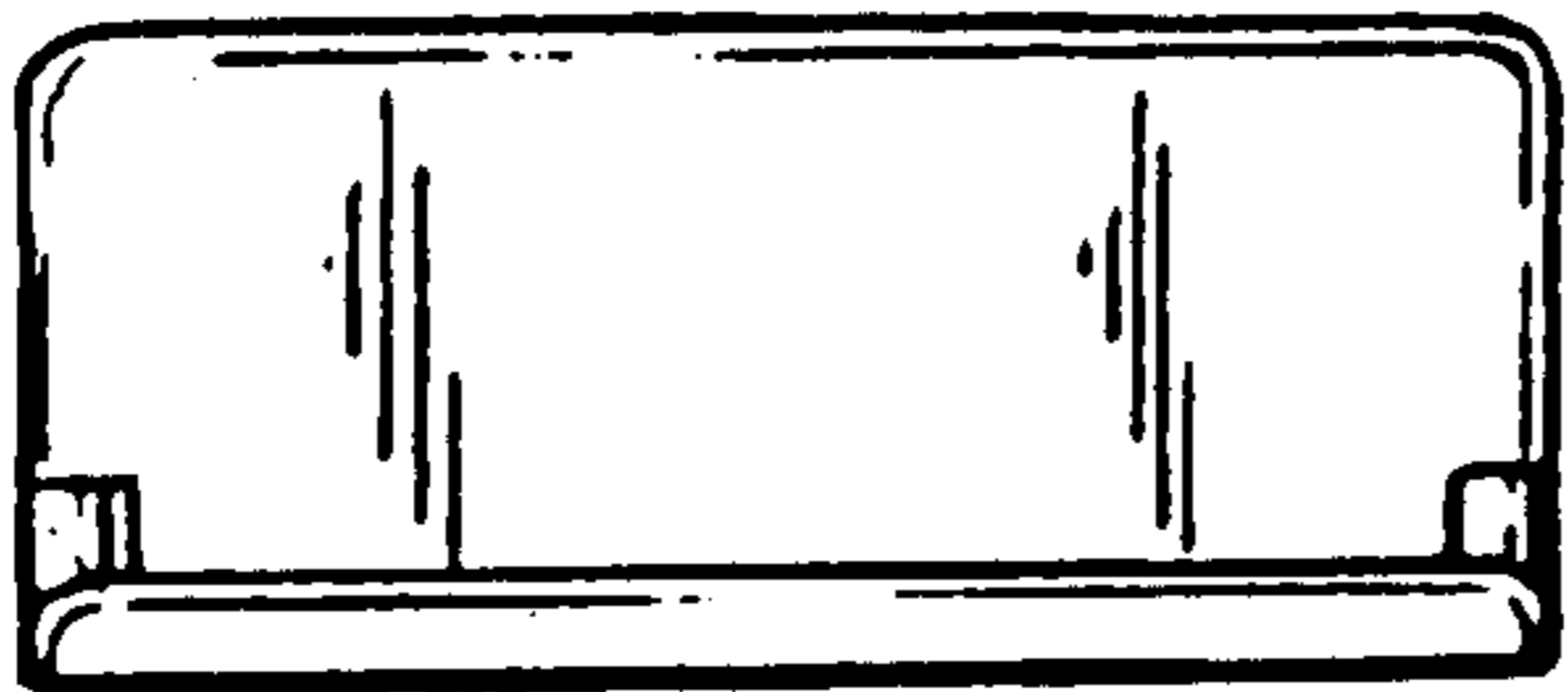
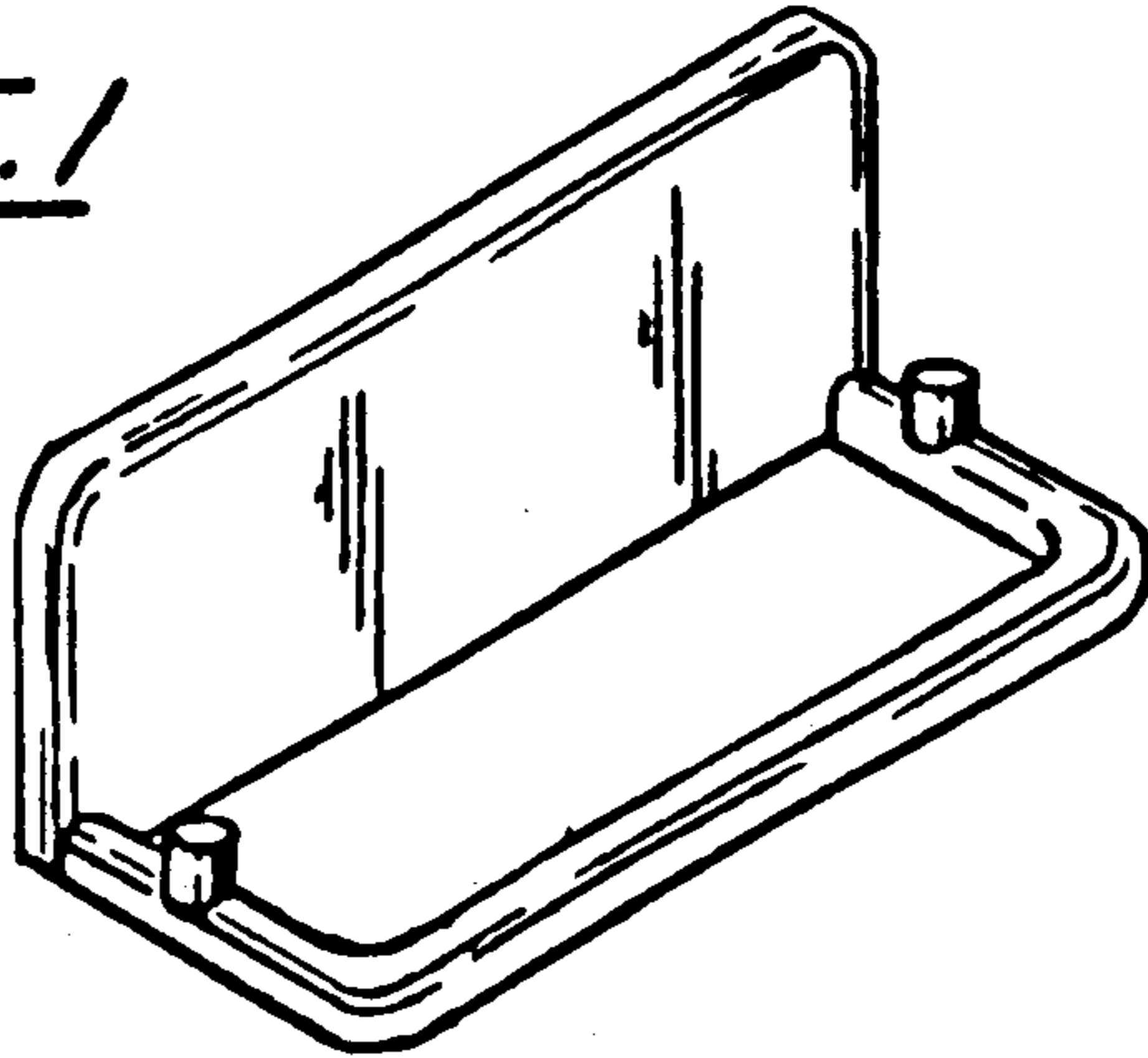


FIG. 2

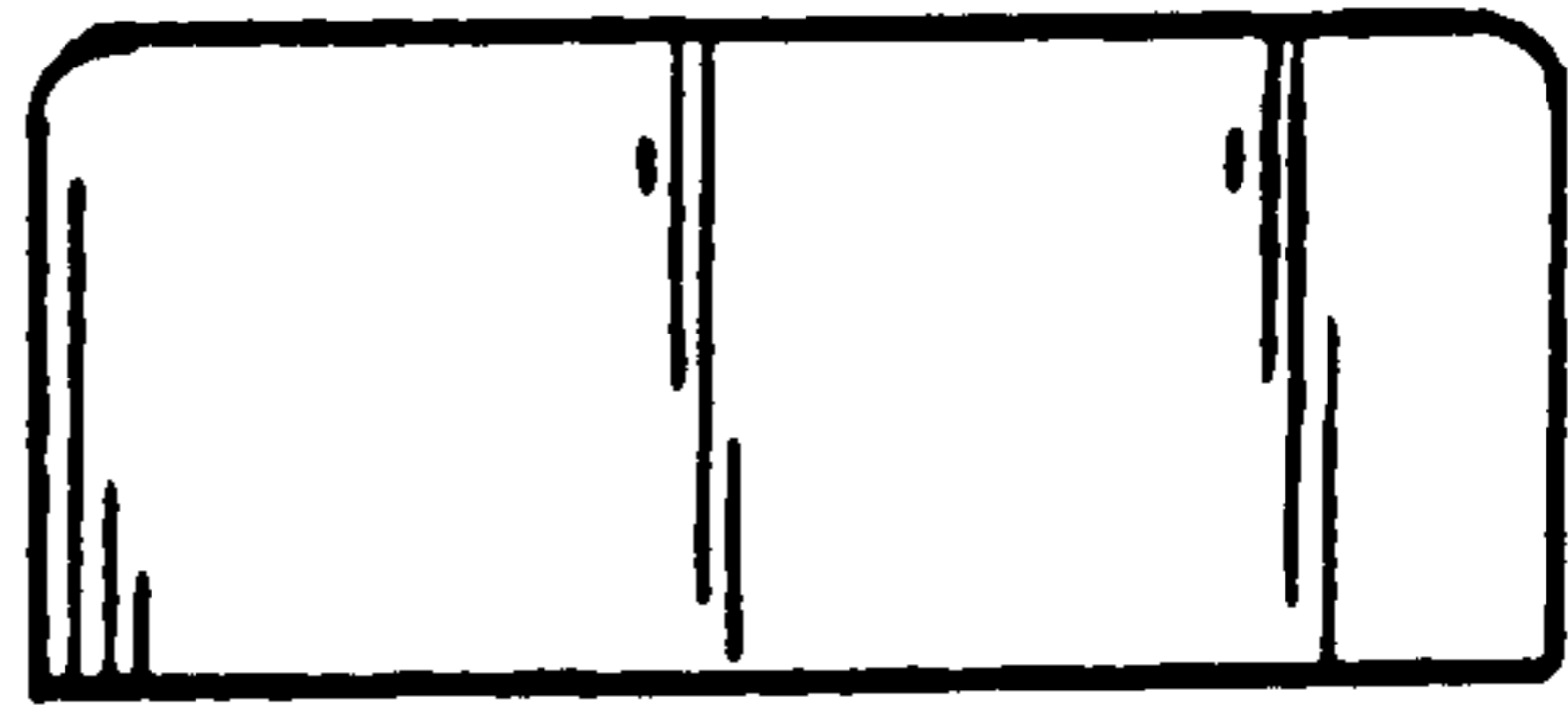


FIG. 3

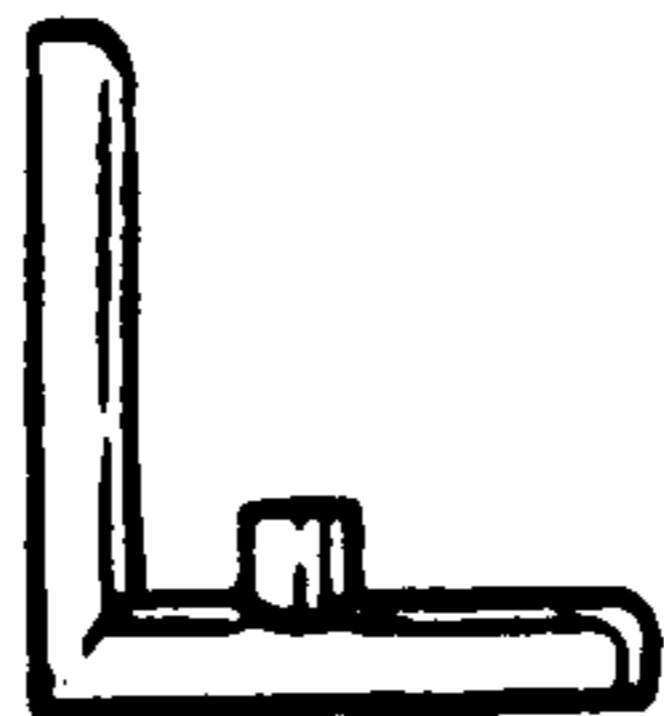


FIG. 4

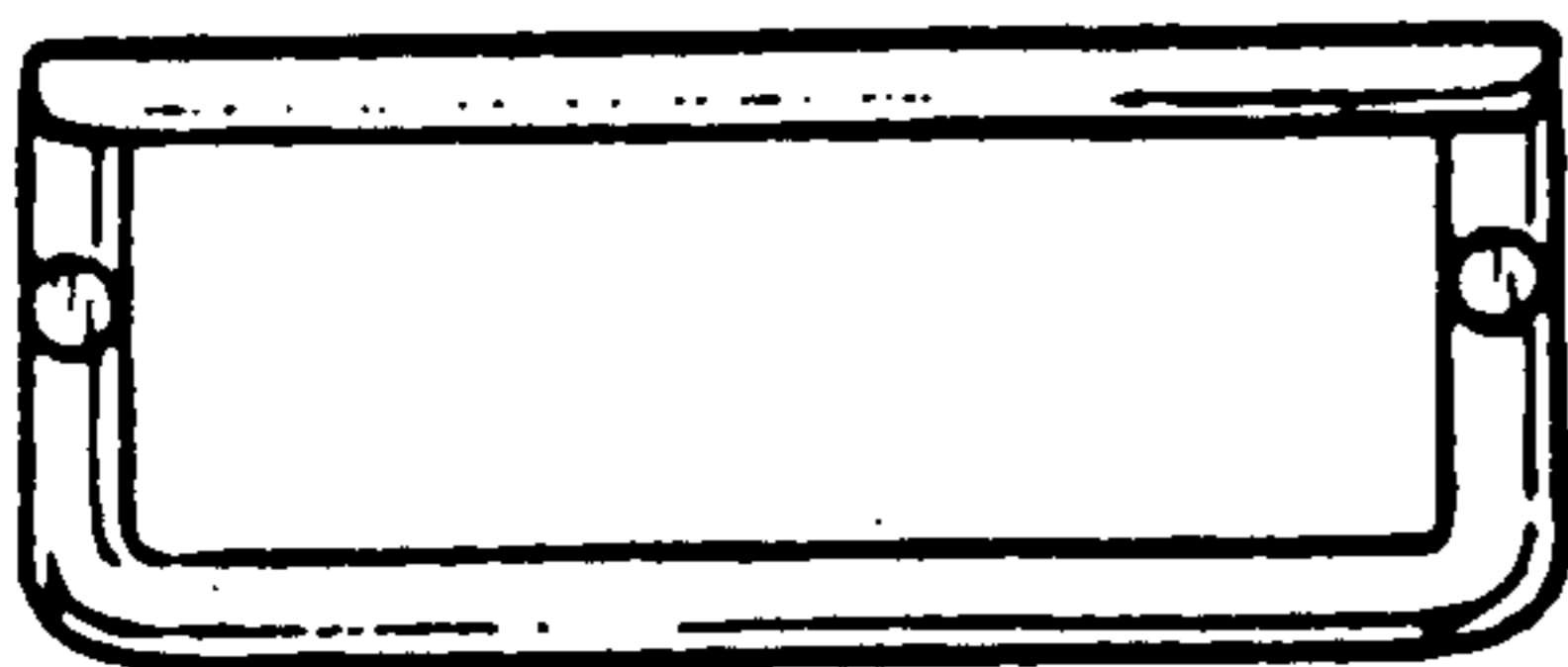


FIG. 5

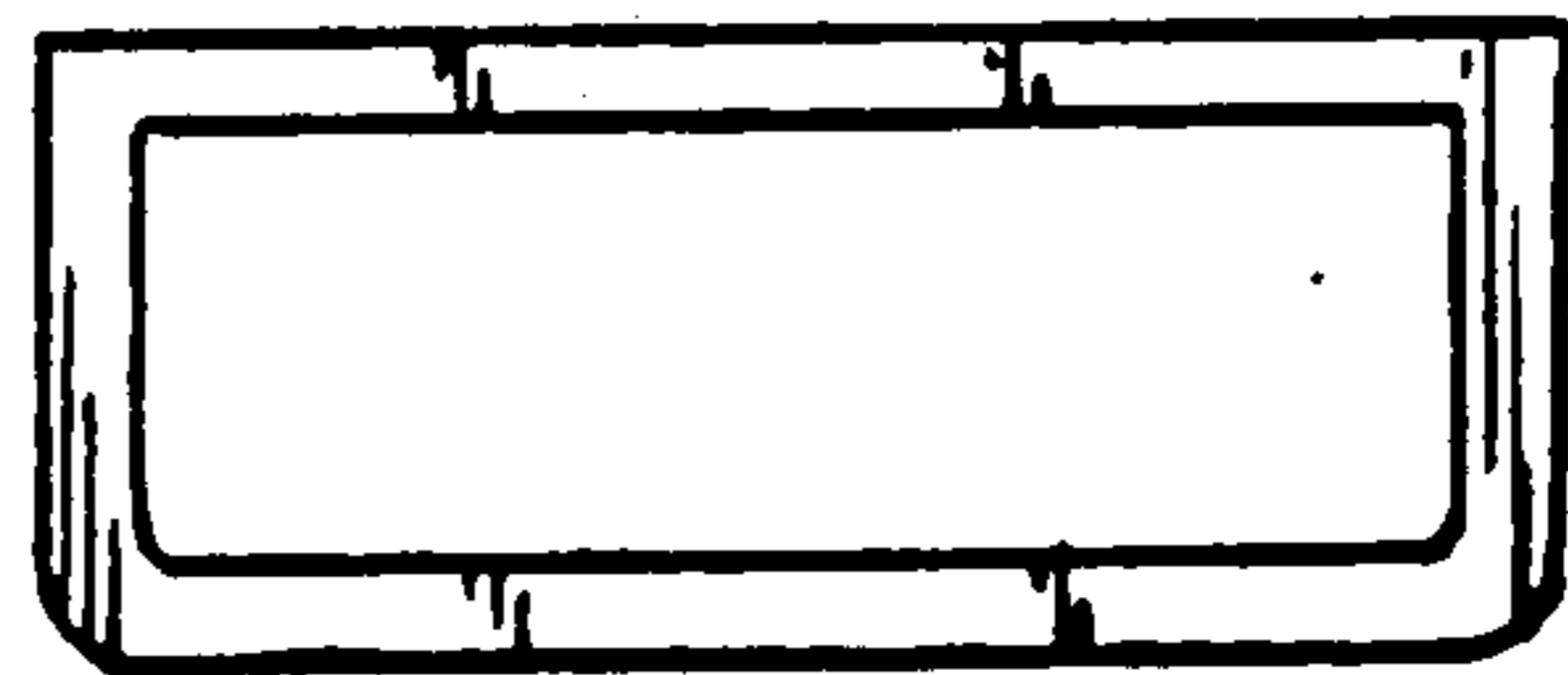


FIG. 6