

[54] FACETER

[76] Inventor: Takahiro Imahashi, 3-21-25, Higashi-Motomachi, Kokubunji, Tokyo, Japan

[**] Term: 14 Years

[21] Appl. No.: 206,738

[22] Filed: Jun. 15, 1988

[30] Foreign Application Priority Data

Apr. 5, 1988 [JP] Japan 63-13628

[52] U.S. Cl. D15/140; D10/73

[58] Field of Search D15/140, 139, 138, 140, D15/124, 125; 51/216, 125, 216 R, 229, 105

[56] References Cited

U.S. PATENT DOCUMENTS

D. 309,742	8/1990	Imahashi	D15/140
1,103,698	9/1914	Soetens	51/229
2,569,592	10/1951	West	51/229
2,724,220	11/1955	Shaw	51/125
3,098,327	7/1963	Maljn	51/125
3,439,456	4/1969	Bailey	51/125
3,559,349	2/1971	Imahashi	51/229

3,650,074	3/1972	Weinz	51/229
4,263,753	4/1981	Imahashi	51/229

FOREIGN PATENT DOCUMENTS

564111	2/1958	Belgium	51/229
--------	--------	---------	-------	--------

Primary Examiner—Nelson C. Holtje
Assistant Examiner—J. H. Musgrove
Attorney, Agent, or Firm—Wenderoth, Lind & Ponack

[57] CLAIM

The ornamental design for a faceter, as shown and described.

DESCRIPTION

FIG. 1 is a front elevational view of a faceter showing my new design;
FIG. 2 is a top plan view;
FIG. 3 is a rear elevational view;
FIG. 4 is a bottom plan view;
FIG. 5 is a left side elevational view;
FIG. 6 is right side elevational view;
FIG. 7 is a front perspective view;
FIG. 8 is a front elevational view showing the spindle set at 45 degrees and;
FIG. 9 is a perspective view of FIG. 8.

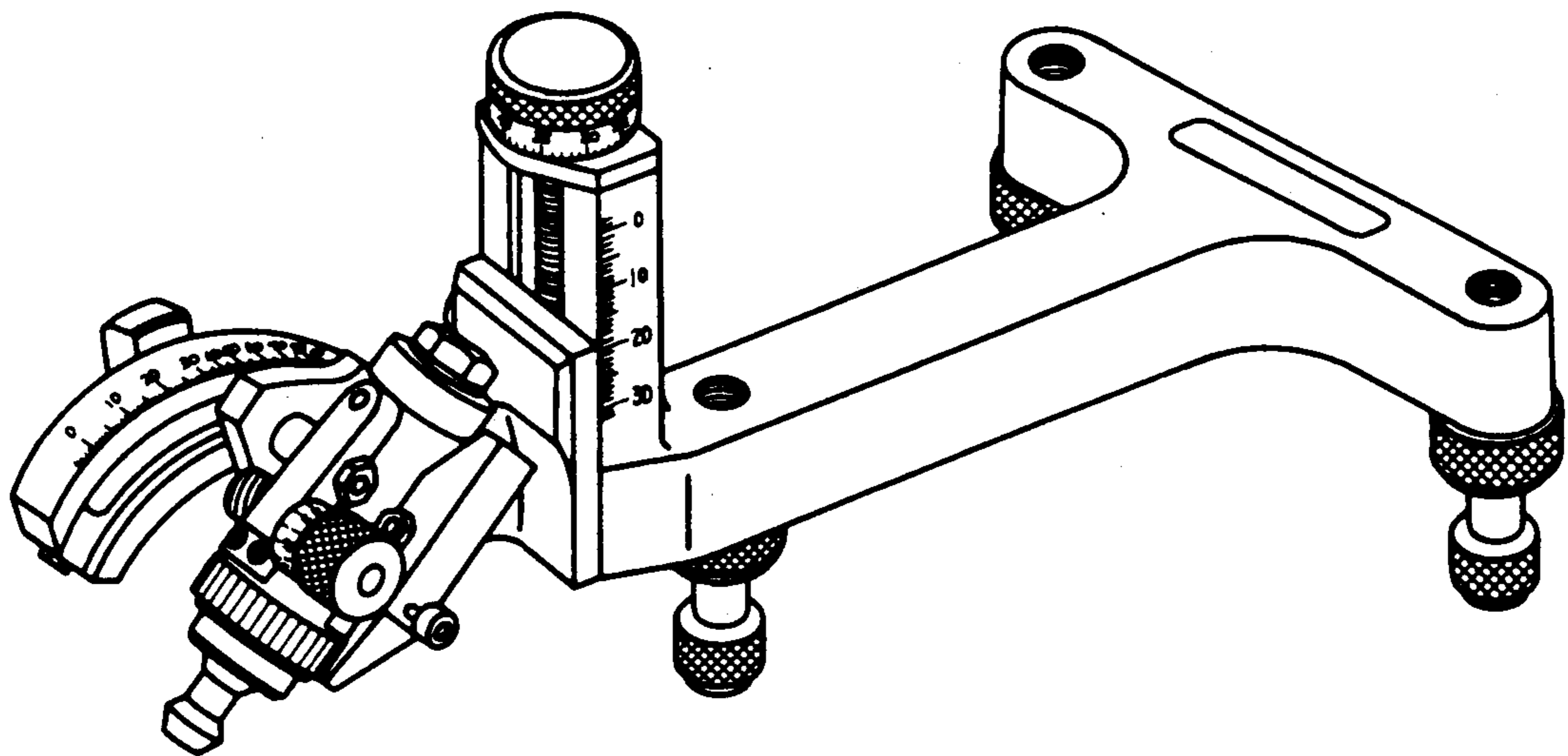


Fig. 1

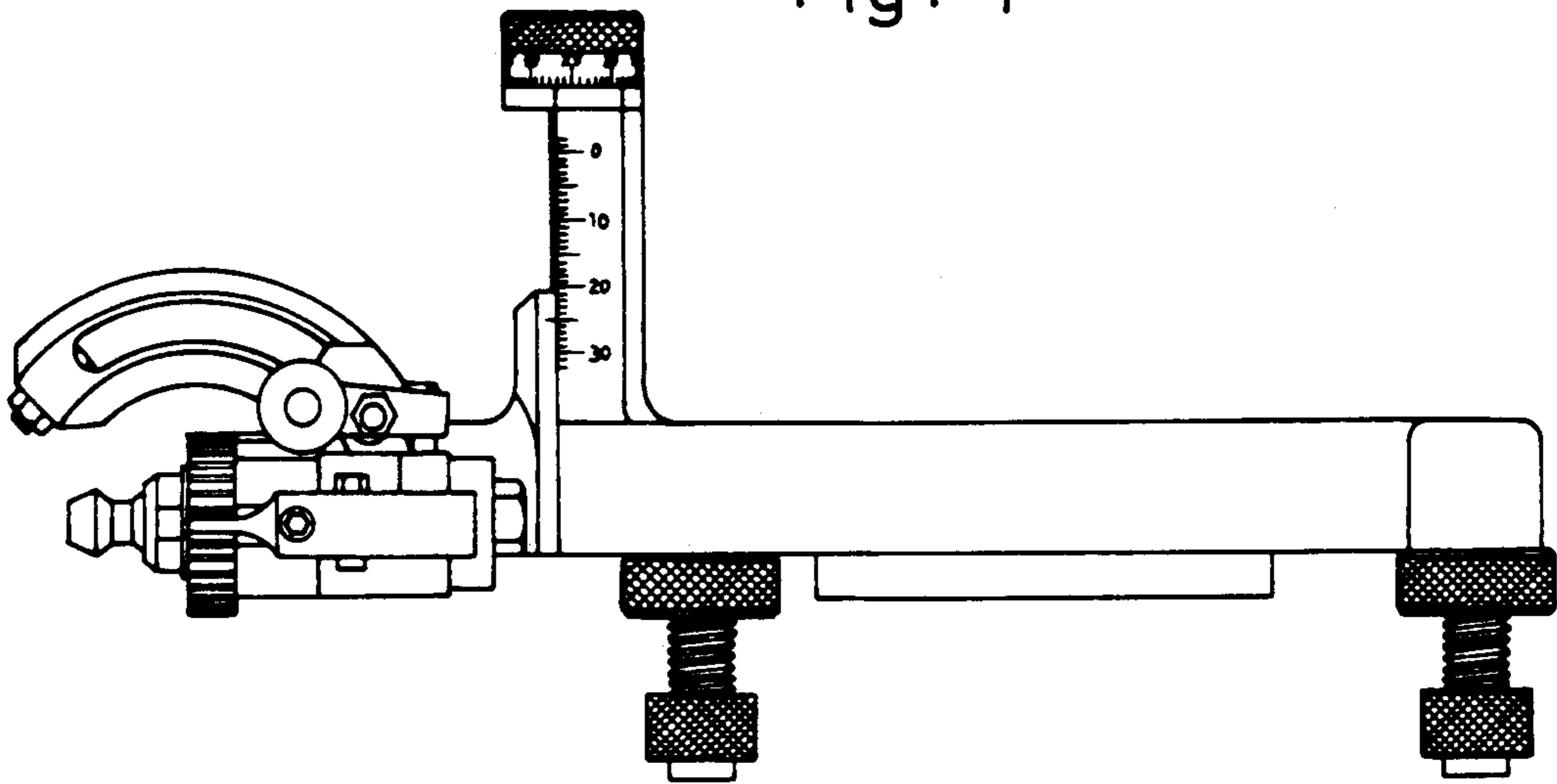


Fig. 2

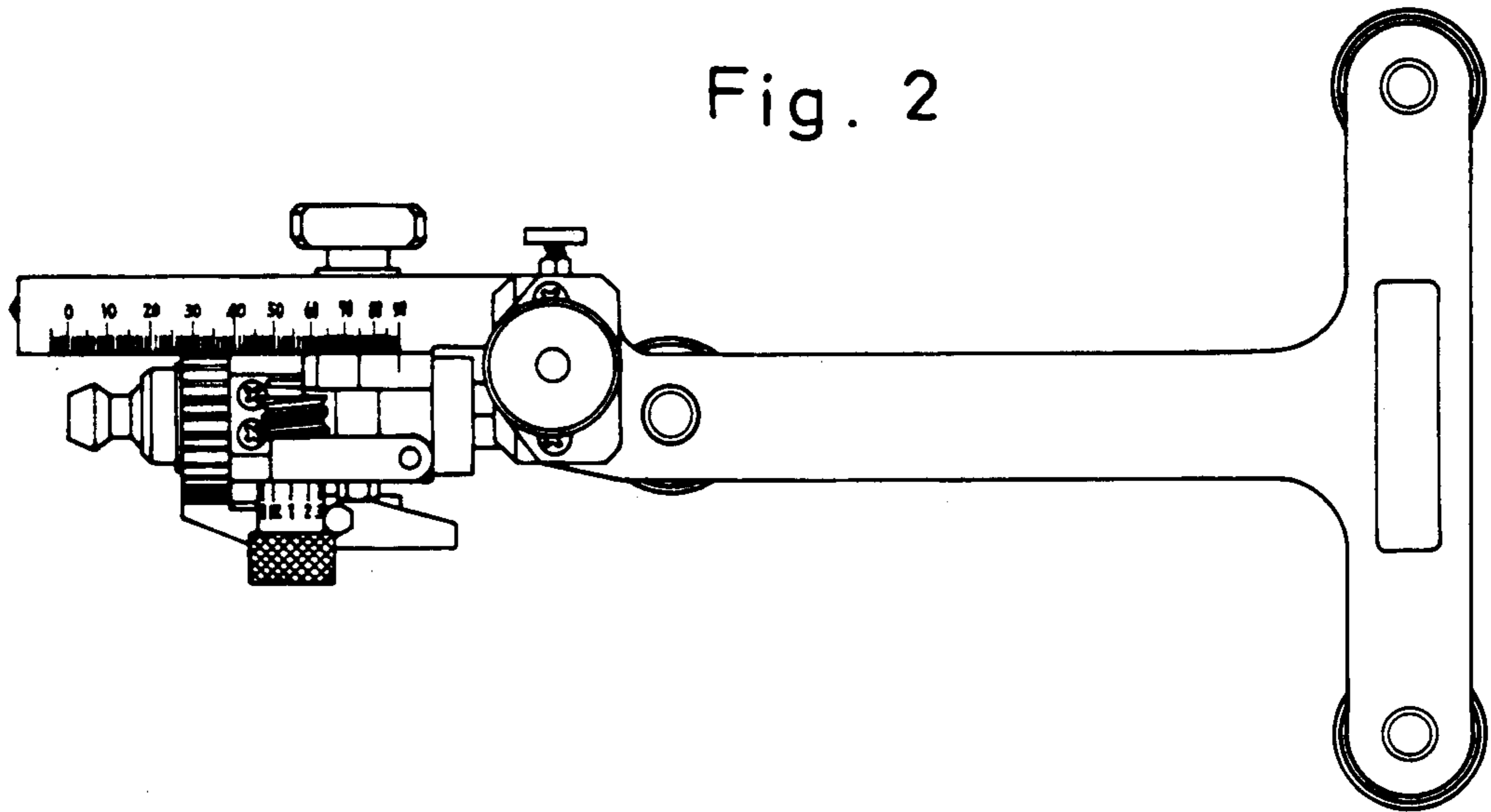


Fig. 3

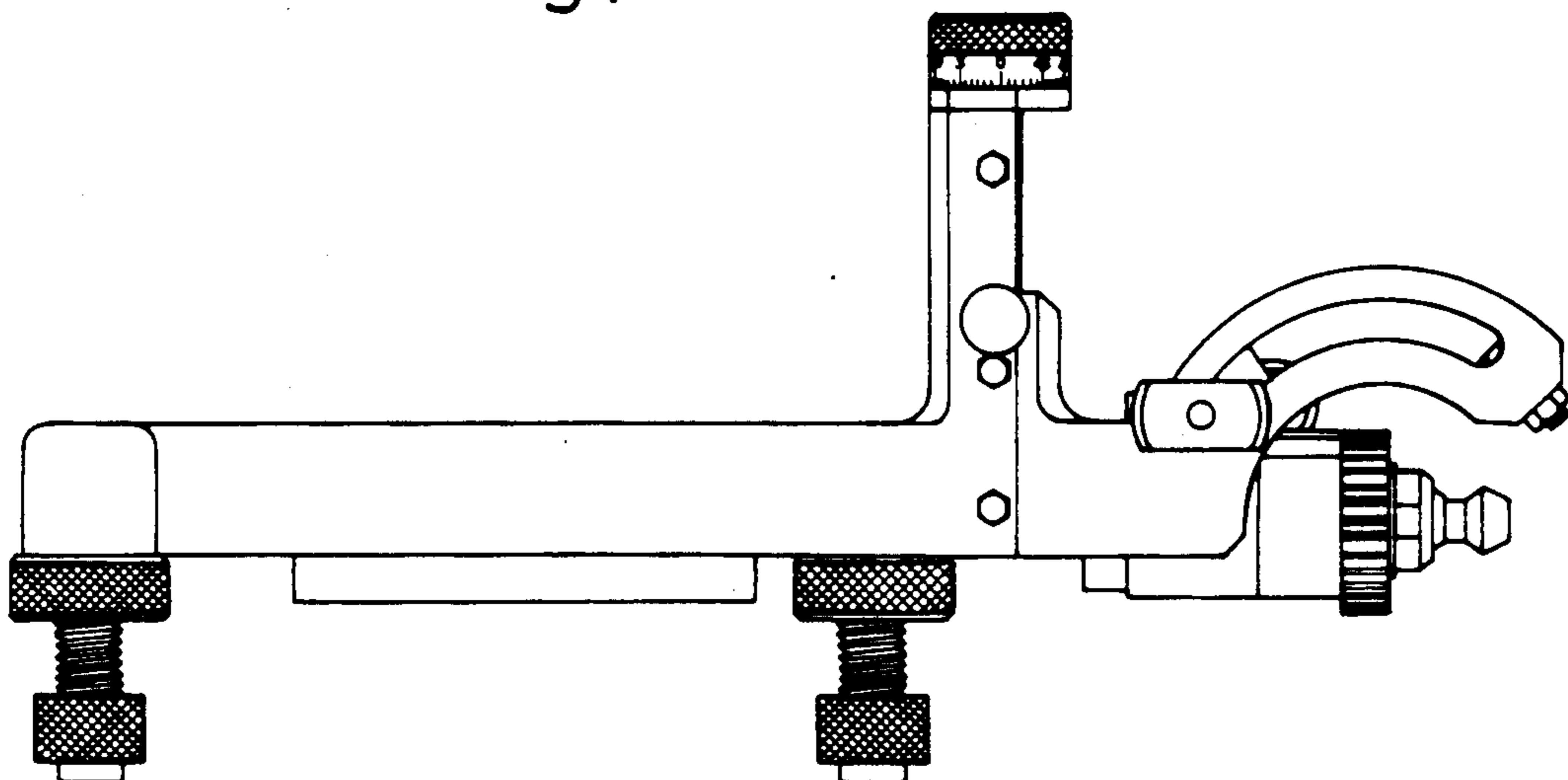


Fig. 4

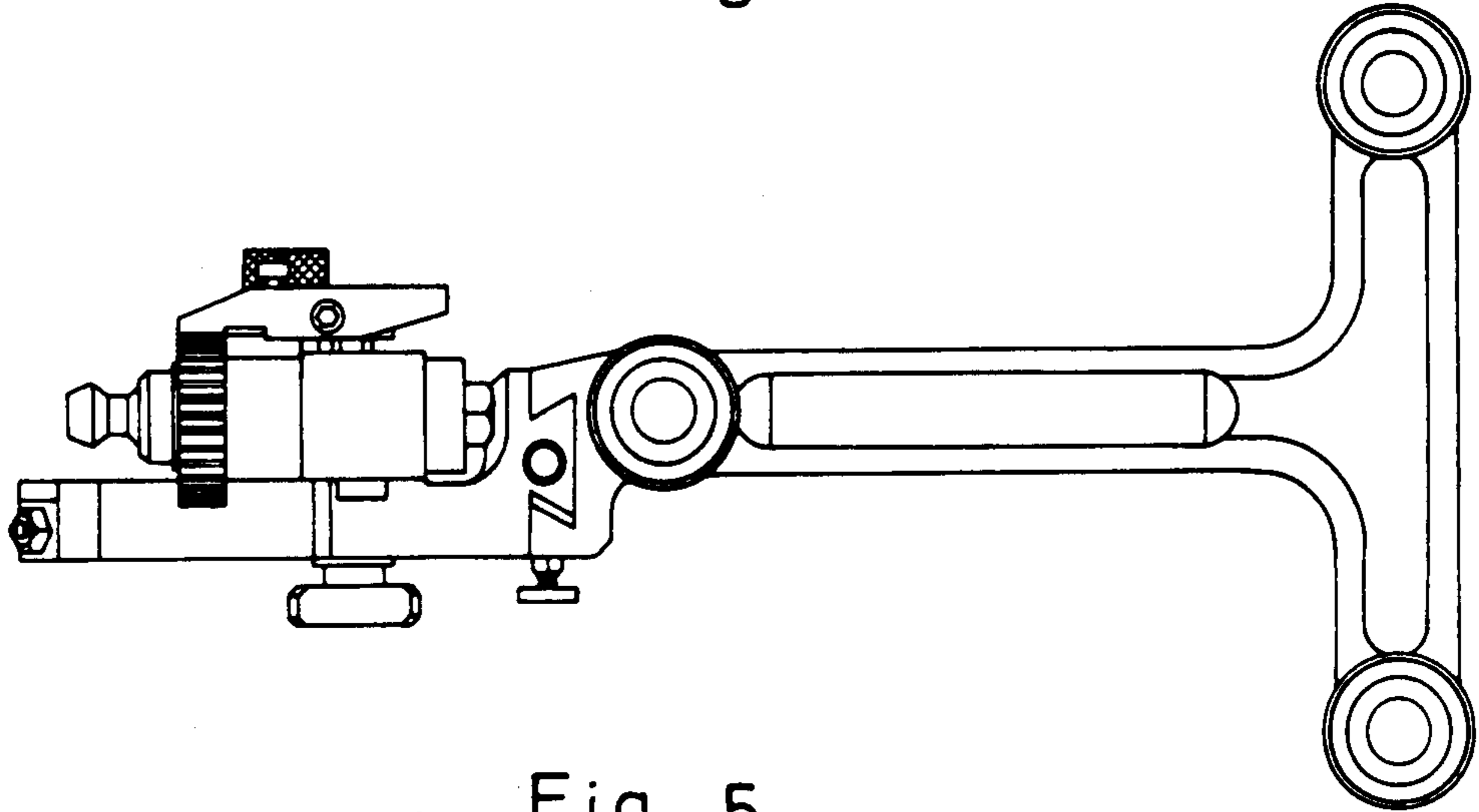


Fig. 5

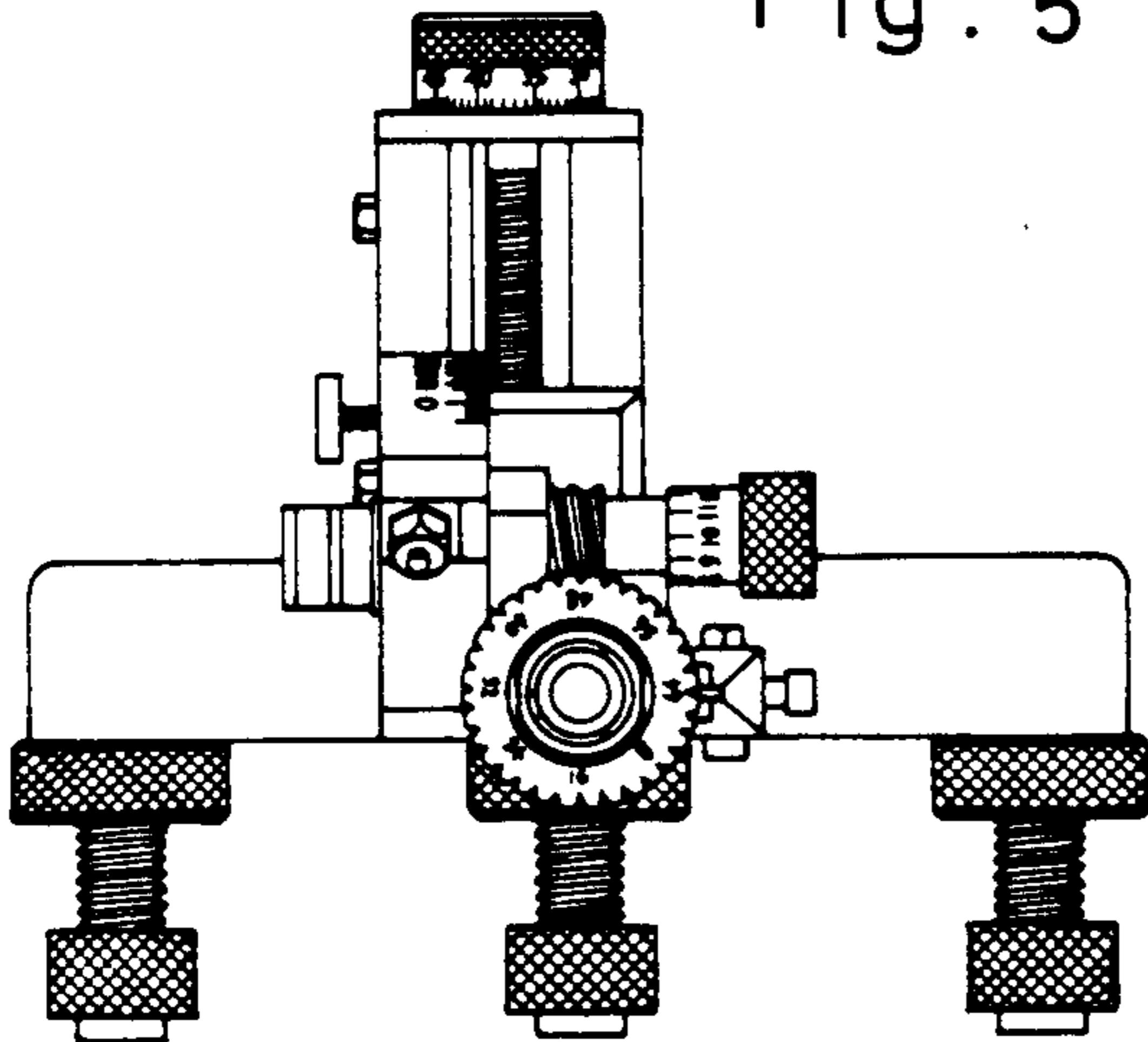


Fig. 6

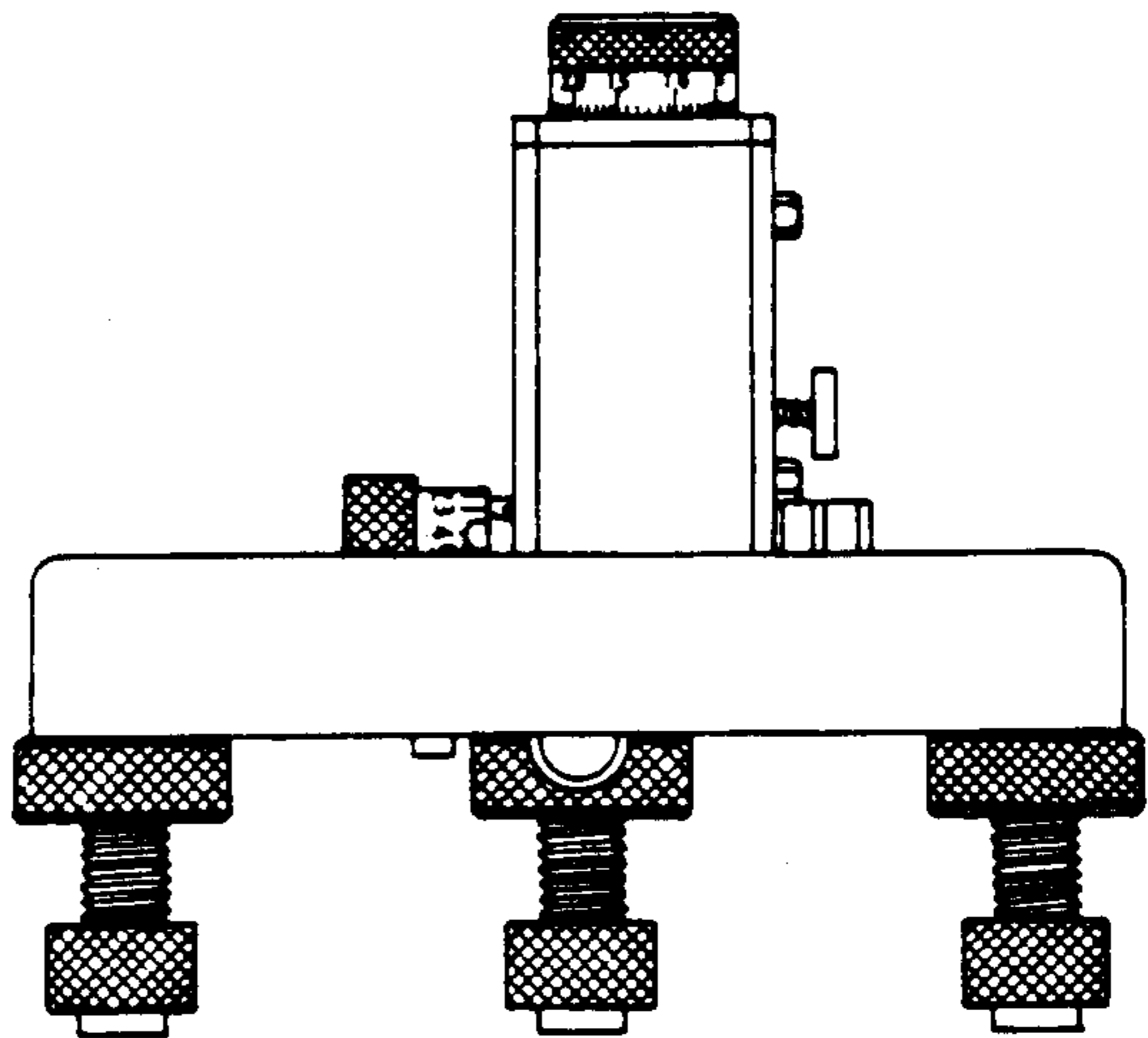


Fig. 7

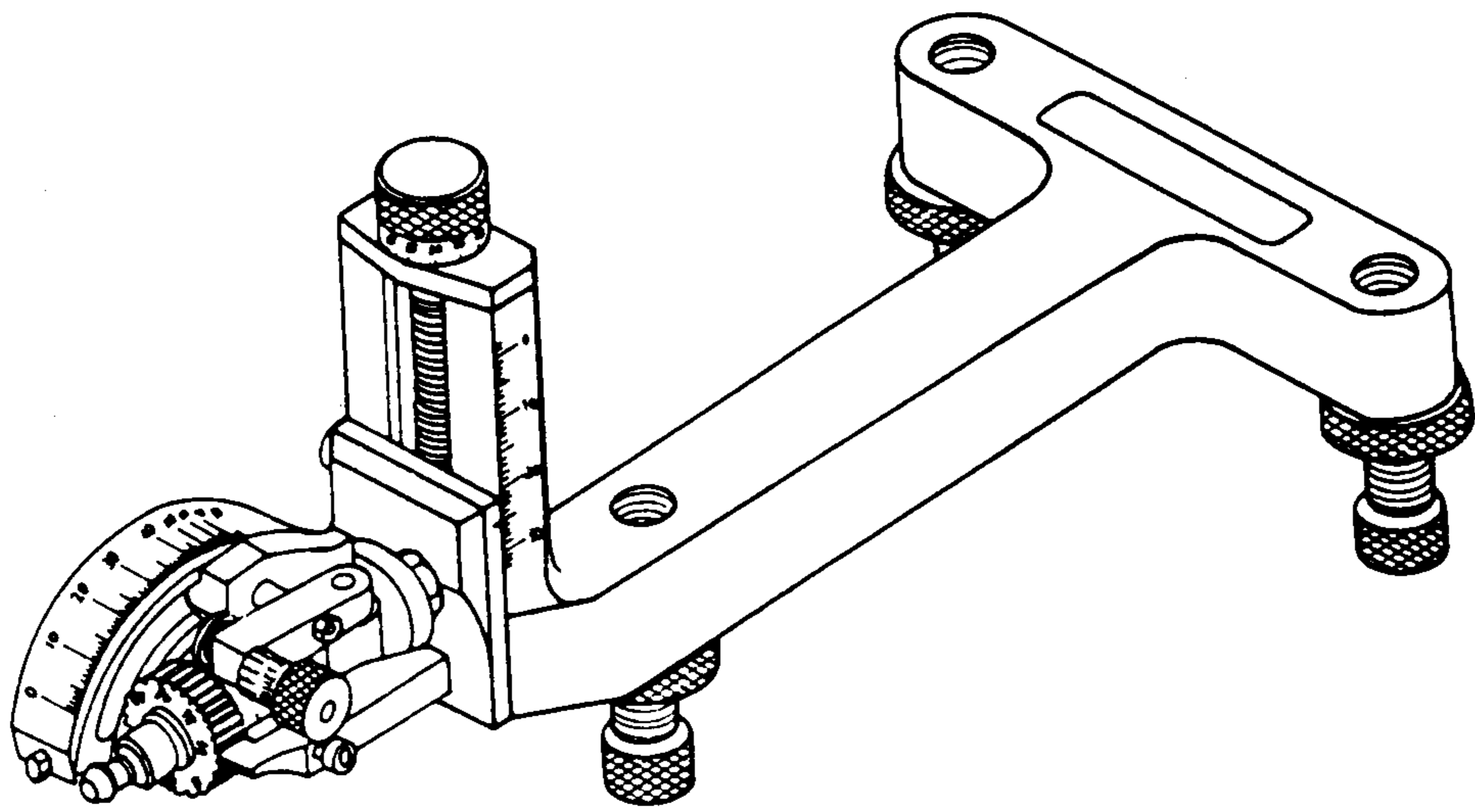


Fig. 8

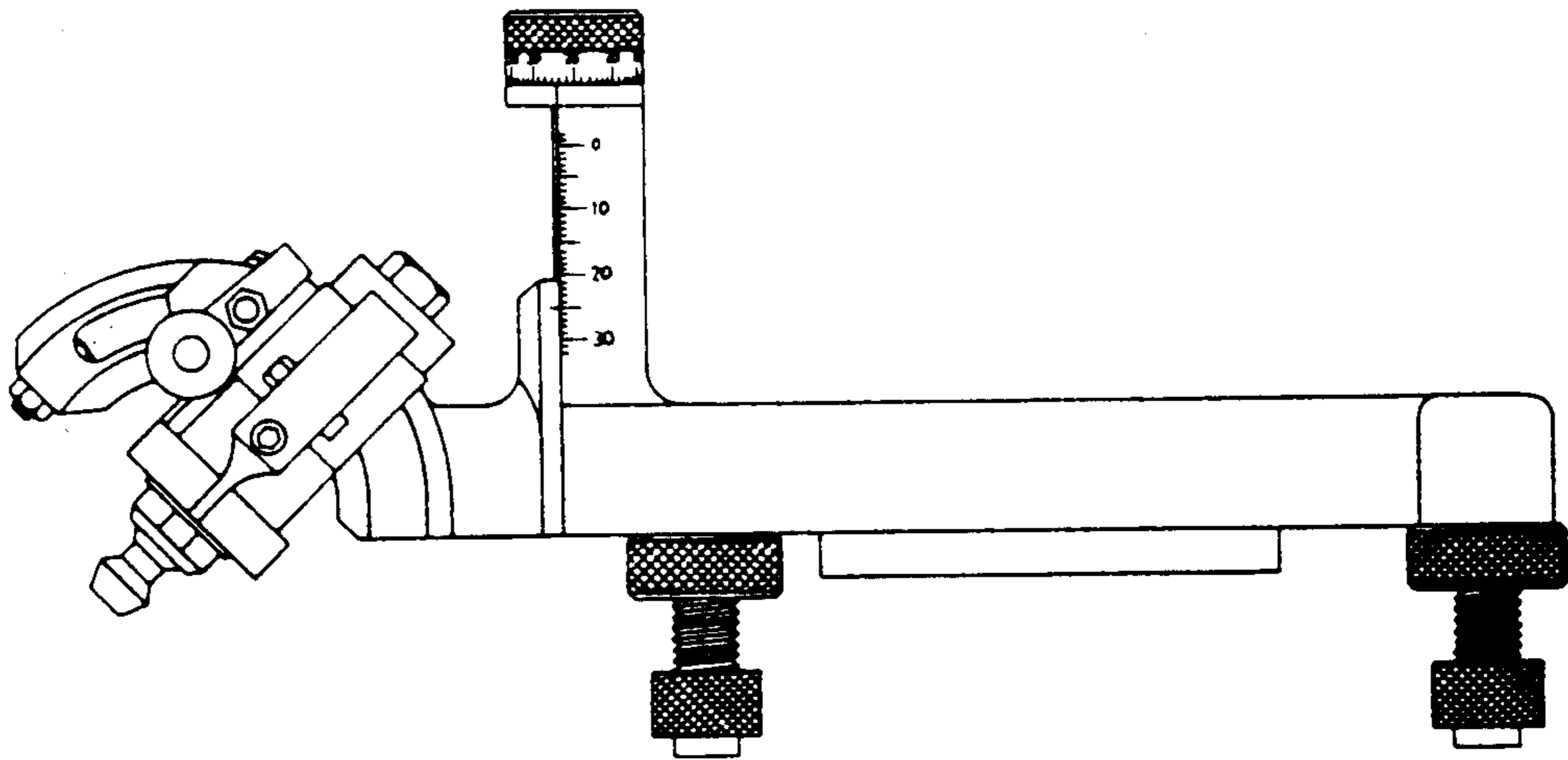


Fig. 9

