

[54] **LOUDSPEAKER BASKET**

[75] **Inventor: Gerd Naumann, Solingen, Fed. Rep. of Germany**

[73] **Assignee: Visaton Peter Schukat, Haan, Fed. Rep. of Germany**

[\*\*] **Term: 14 Years**

[21] **Appl. No.: 302,523**

[22] **Filed: Jan. 27, 1989**

[30] **Foreign Application Priority Data**

Jul. 27, 1988 [DE] Fed. Rep. of Germany ..... 8800530

[52] **U.S. Cl. .... D14/224; D14/221**

[58] **Field of Search .... D14/124, 204-216, D14/217, 219-224, 299; 181/144, 148, 150, 157, 199**

[56] **References Cited**

**U.S. PATENT DOCUMENTS**

D. 225,069	11/1972	May	.....	D14/216
D. 270,533	9/1983	Piercy	.....	D14/224
D. 282,065	1/1986	Piercy	.....	D14/224
D. 302,430	7/1989	Matsushima et al.	.....	D14/214

*Primary Examiner*—Theodore M. Shooman  
*Attorney, Agent, or Firm*—Foley & Lardner

[57] **CLAIM**

The ornamental design for a loudspeaker basket, as shown.

**DESCRIPTION**

FIG. 1 is a top perspective view of a loudspeaker basket showing my new design;

FIG. 2 is a top plan view thereof;

FIG. 3 is a front elevational view thereof;

FIG. 4 is a right side elevational view thereof; and

FIG. 5 is a bottom plan view thereof.

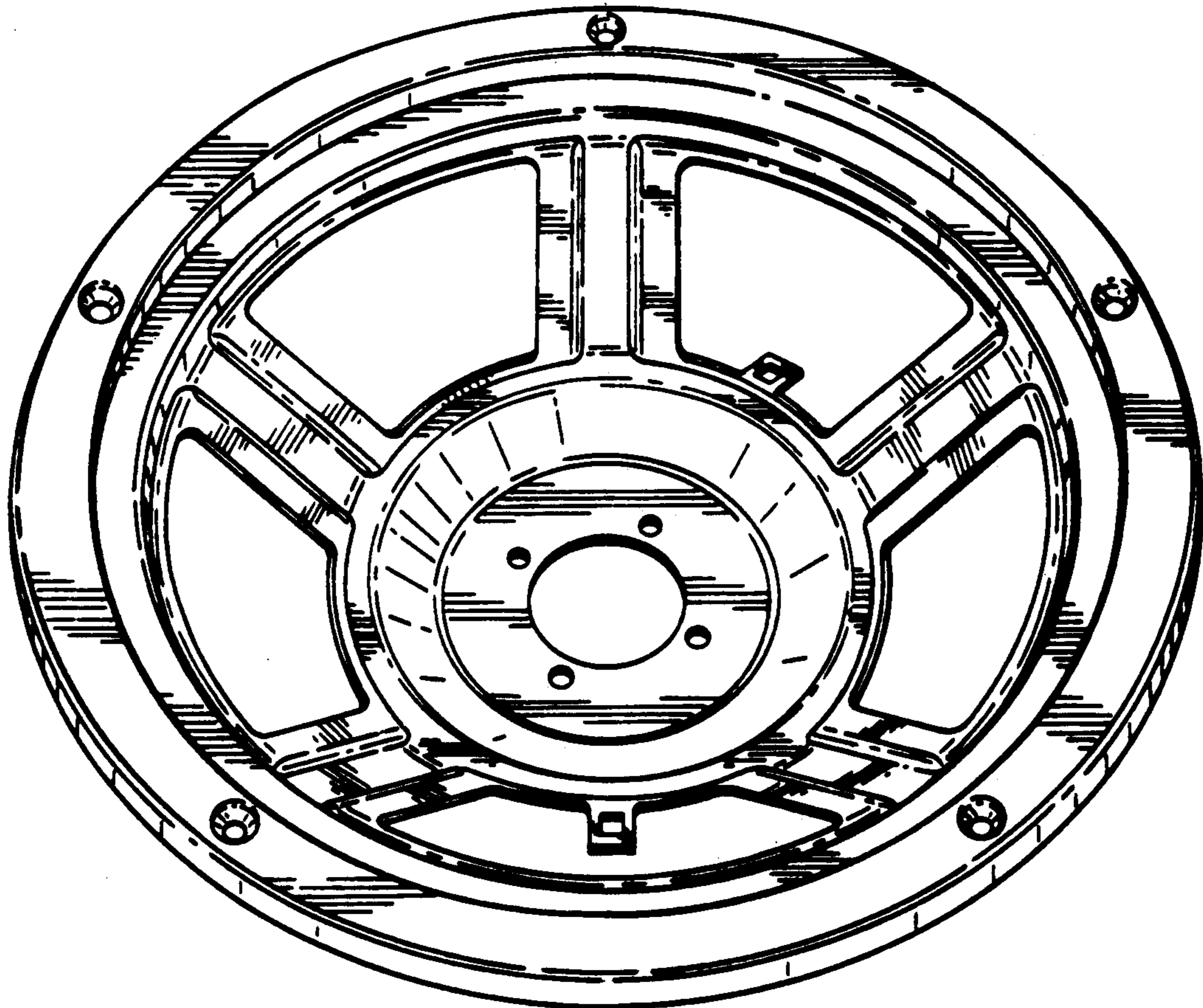
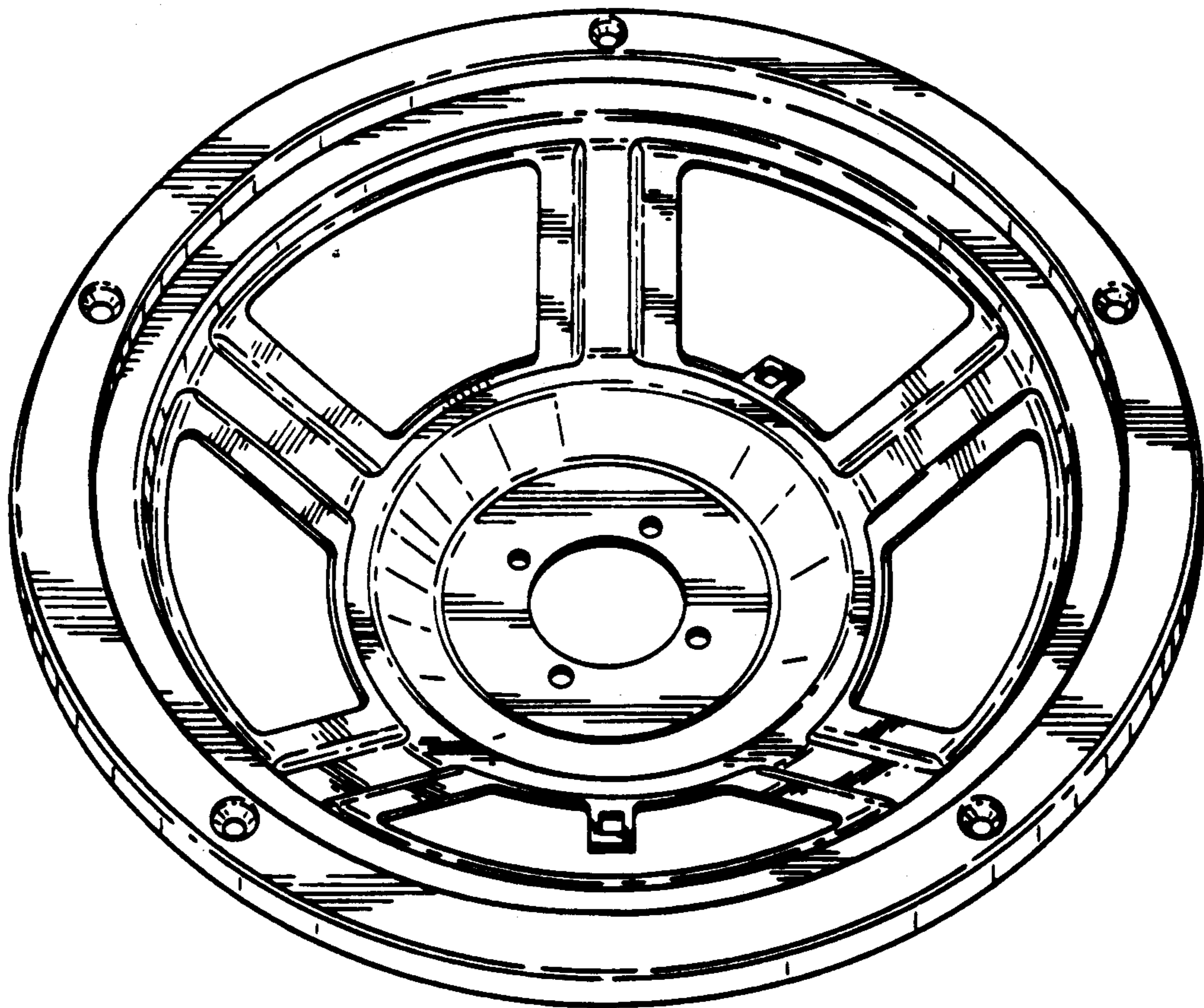


FIG. 1



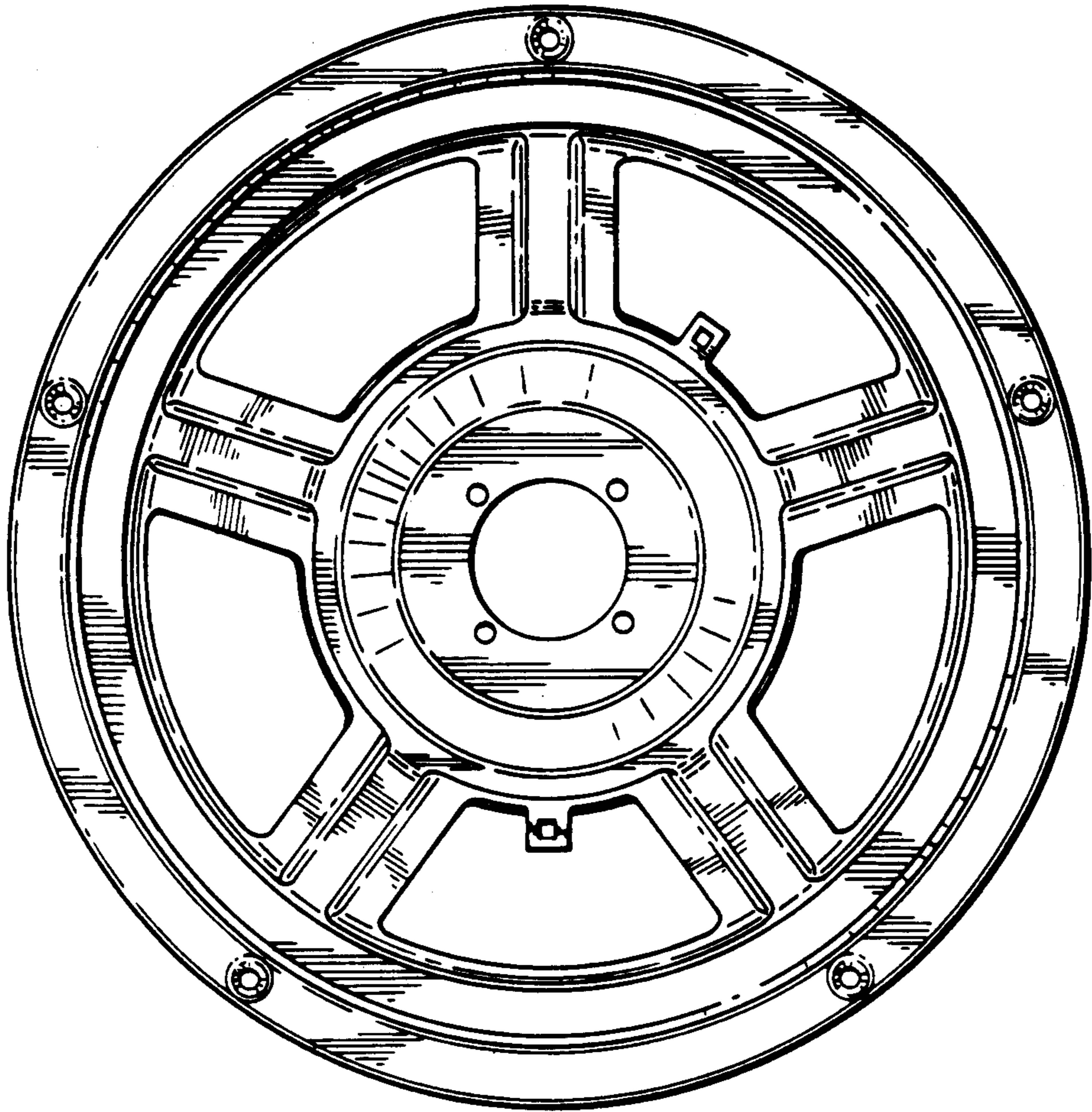


FIG. 2

FIG. 3

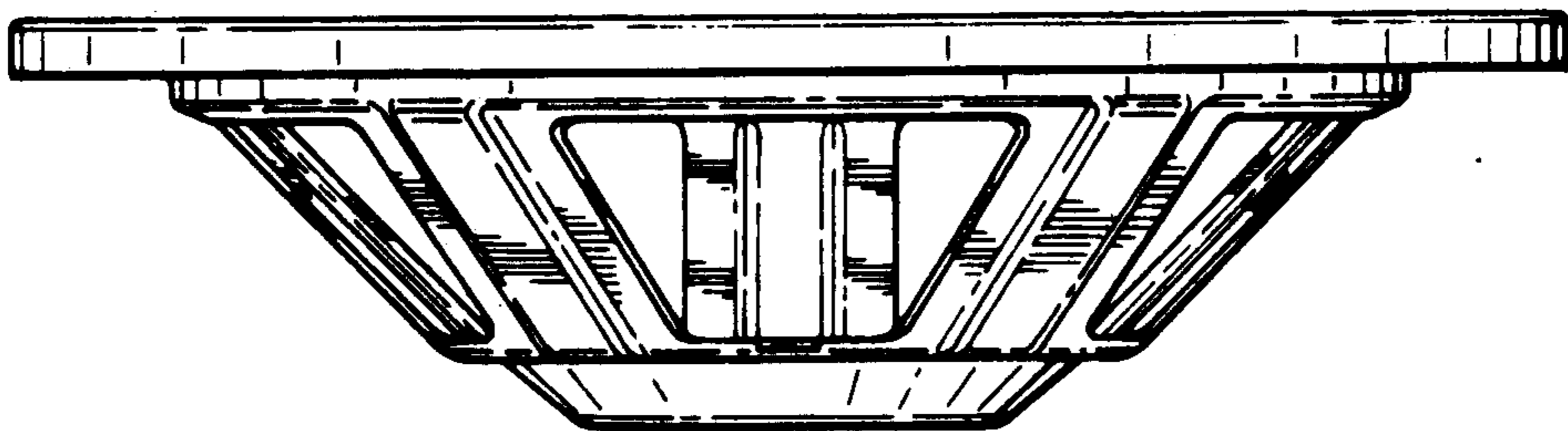


FIG. 4

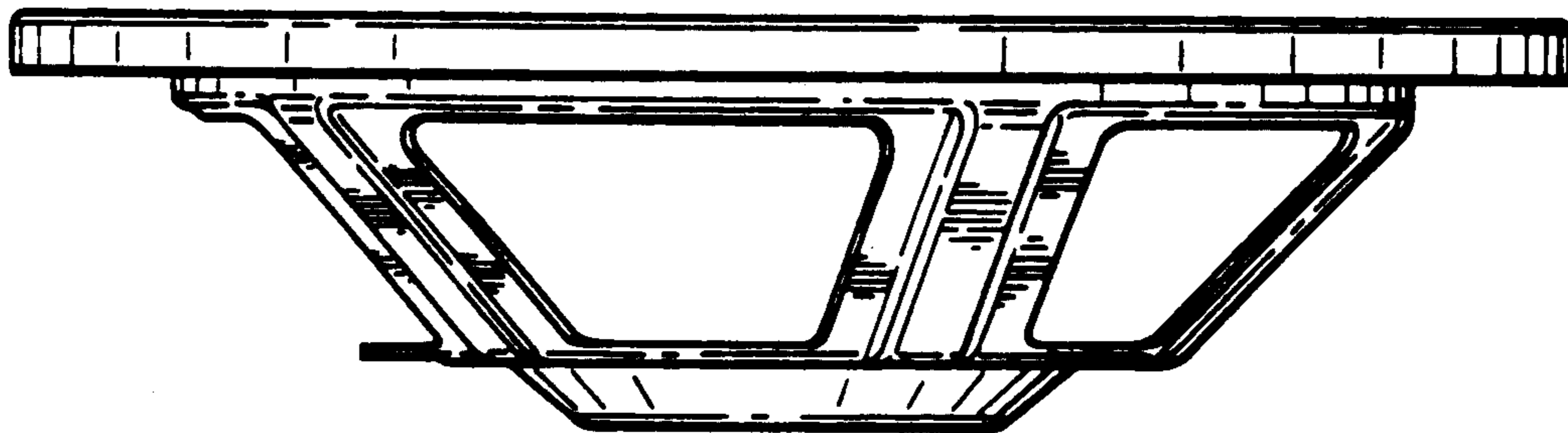


FIG. 5

