

[54] TELEPHONE SET

[75] Inventor: Kim D. Frisinger, Hong Kong, Hong Kong

[73] Assignee: Cicena Ltd., Central, Hong Kong

[**] Term: 14 Years

[21] Appl. No.: 431,861

[22] Filed: Nov. 3, 1989

[30] Foreign Application Priority Data

May 4, 1989 [GB] United Kingdom 1059207
[52] U.S. Cl. D14/151; D14/142; D14/248
[58] Field of Search D14/150, 248, 151; 379/435, 436, 437, 439, 451, 452

[56] References Cited

U.S. PATENT DOCUMENTS

- D. 271,693 12/1983 Kessler D14/248
D. 283,422 4/1986 Brown et al. D14/248
D. 300,134 3/1989 Hervatin D14/150
D. 305,655 1/1990 Sharp, Jr. D14/150
D. 307,141 4/1990 Raggi et al. D14/248 X
D. 309,733 8/1990 Yuan D14/150

FOREIGN PATENT DOCUMENTS

- 1046346 10/1966 United Kingdom 379/435
2186153A 8/1987 United Kingdom 379/435

OTHER PUBLICATIONS

Northern Electric Co. Ltd.; 2 page flyer: The Neon Phone; CE101 BL; CE101 PK; shown on p. 6.
Gifts & Decorative Accessories: Dec. 1987 at p. 90: (1) La Touche Phone at \$450: (2) Lexan Plastic Phone \$130.
B. A. Pargh Co., Inc. 1989 ©: at p. 350; Neon Phone Fun; item ML 100 Fun; (L100 Fun).
B. A. Pargh Co. Inc. 1990: Item 911 LSR Lonestar: and Item Sparklerbes Clar-Neon Bulbs: Bell South.

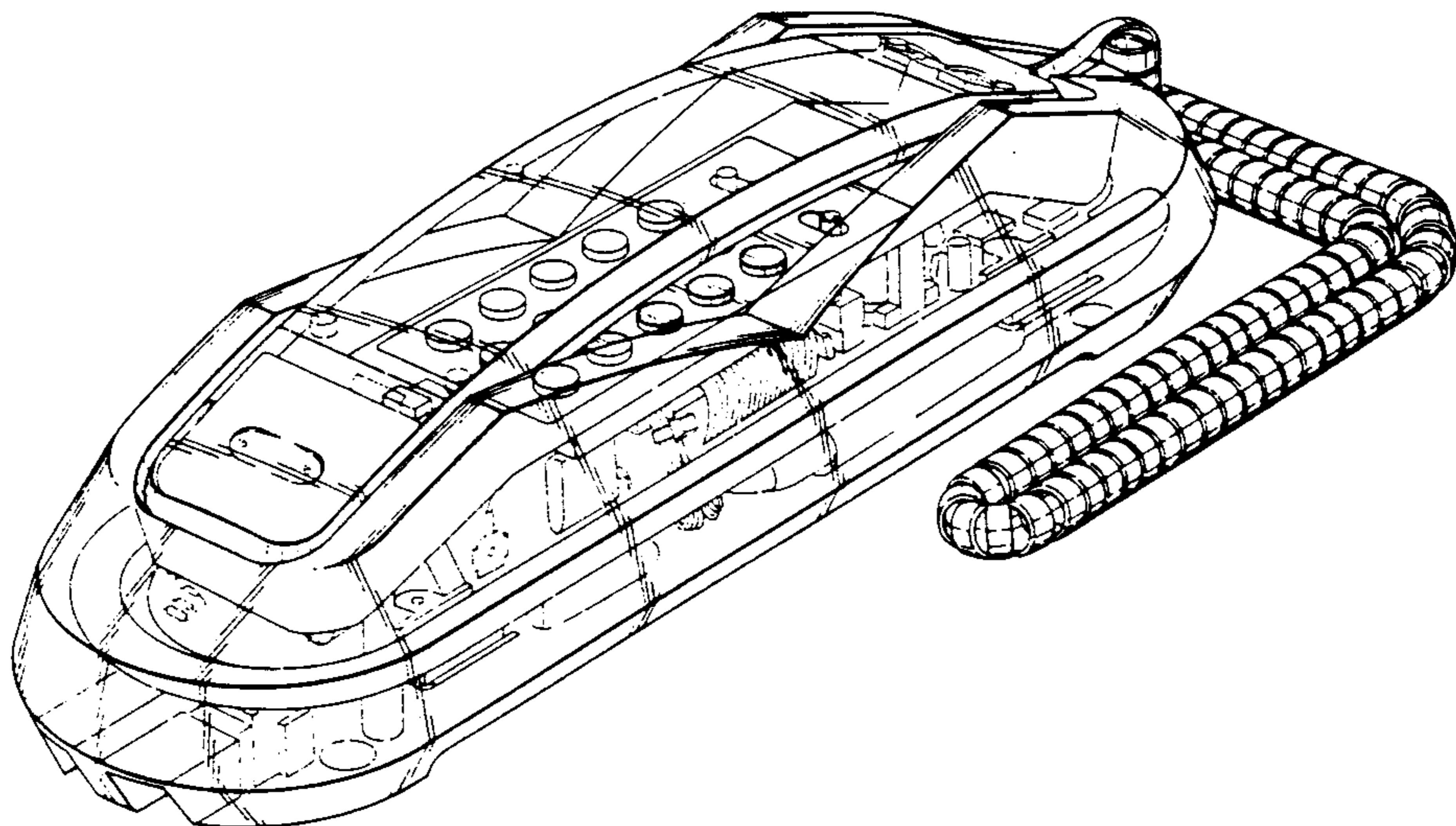
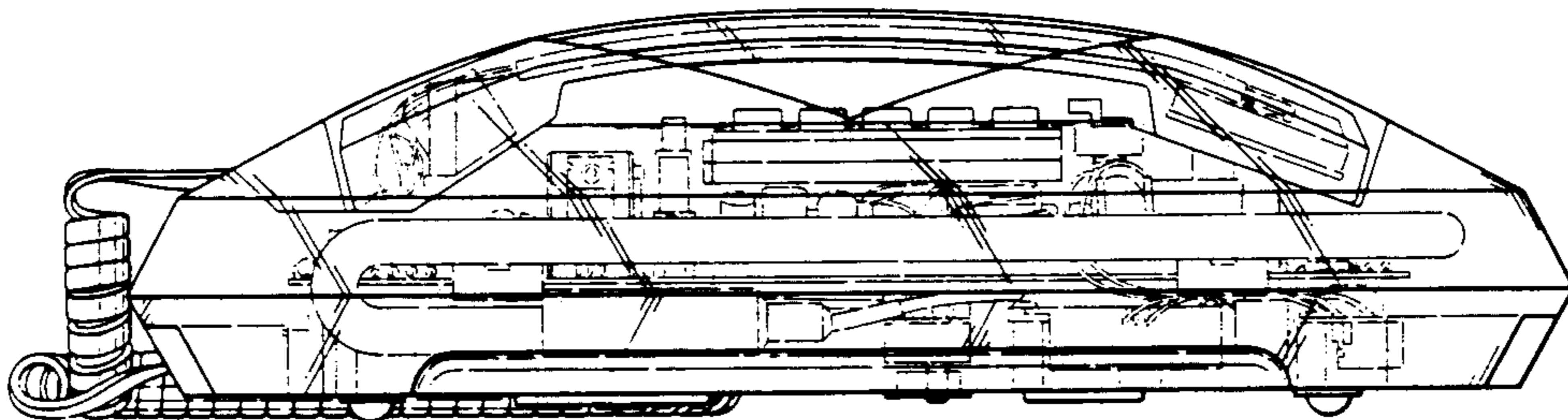
Primary Examiner—Horace B. Fay, Jr.
Attorney, Agent, or Firm—Majestic, Parsons, Siebert & Hsue

[57] CLAIM

The ornamental design for a telephone set, as shown and described.

DESCRIPTION

FIGS. 1 and 2 are respectively left and right side elevational views of a telephone set in cradled relationship, showing my new design;
FIGS. 3 and 4 are respectively top and bottom plan views thereof;
FIGS. 5 and 6 are respectively rear and front end elevational views thereof;
FIG. 7 is a top plan view of the base of the set, with the handset in side elevation view, spaced above and apart from the base; and
FIG. 8 is a front, top and left side perspective view thereof, in accordance with FIG. 3 representation.



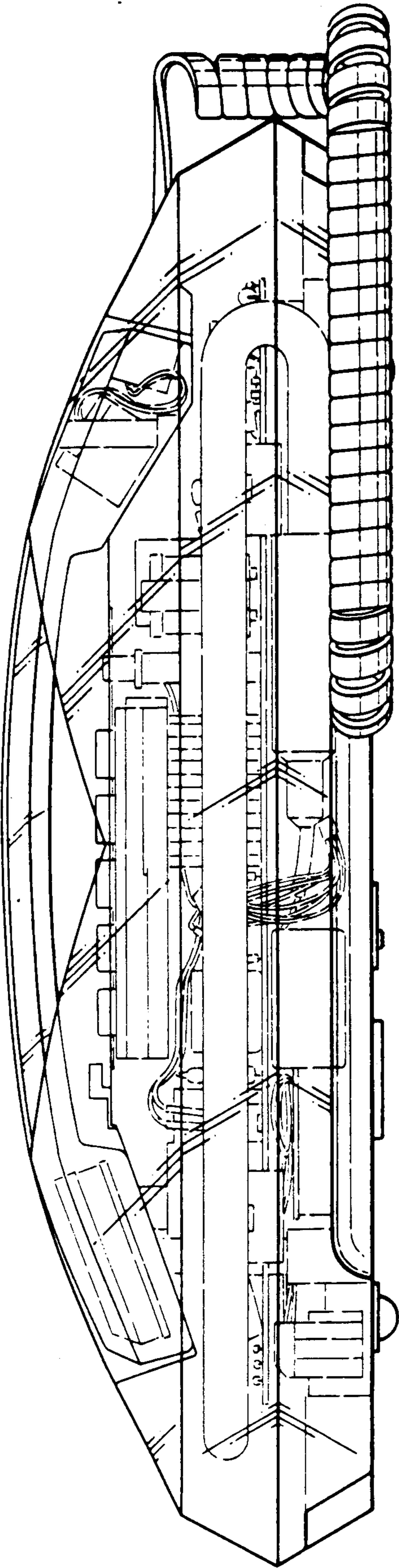


FIG. 1

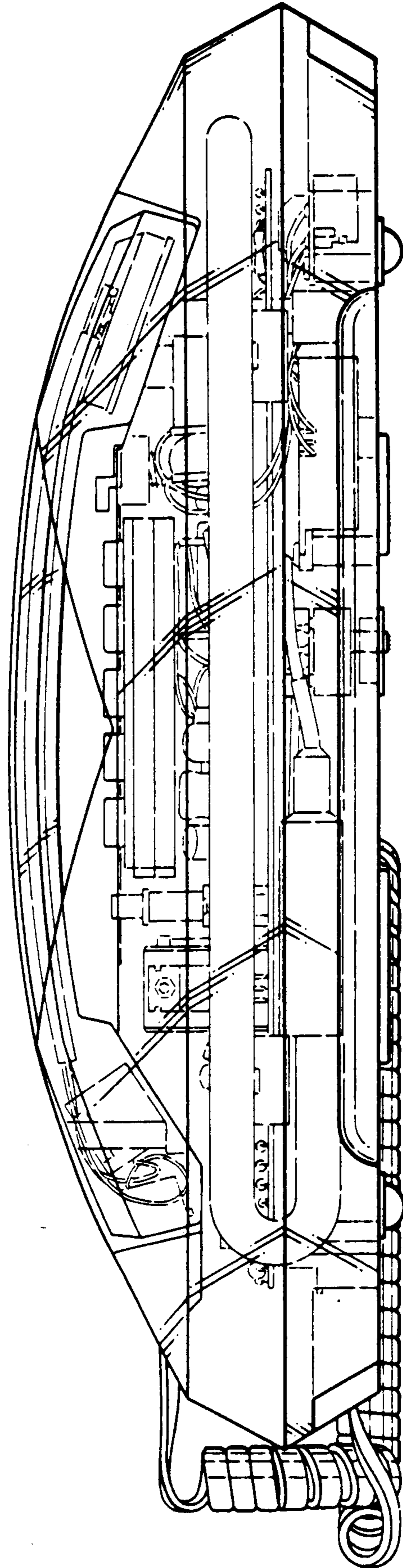


FIG. 2

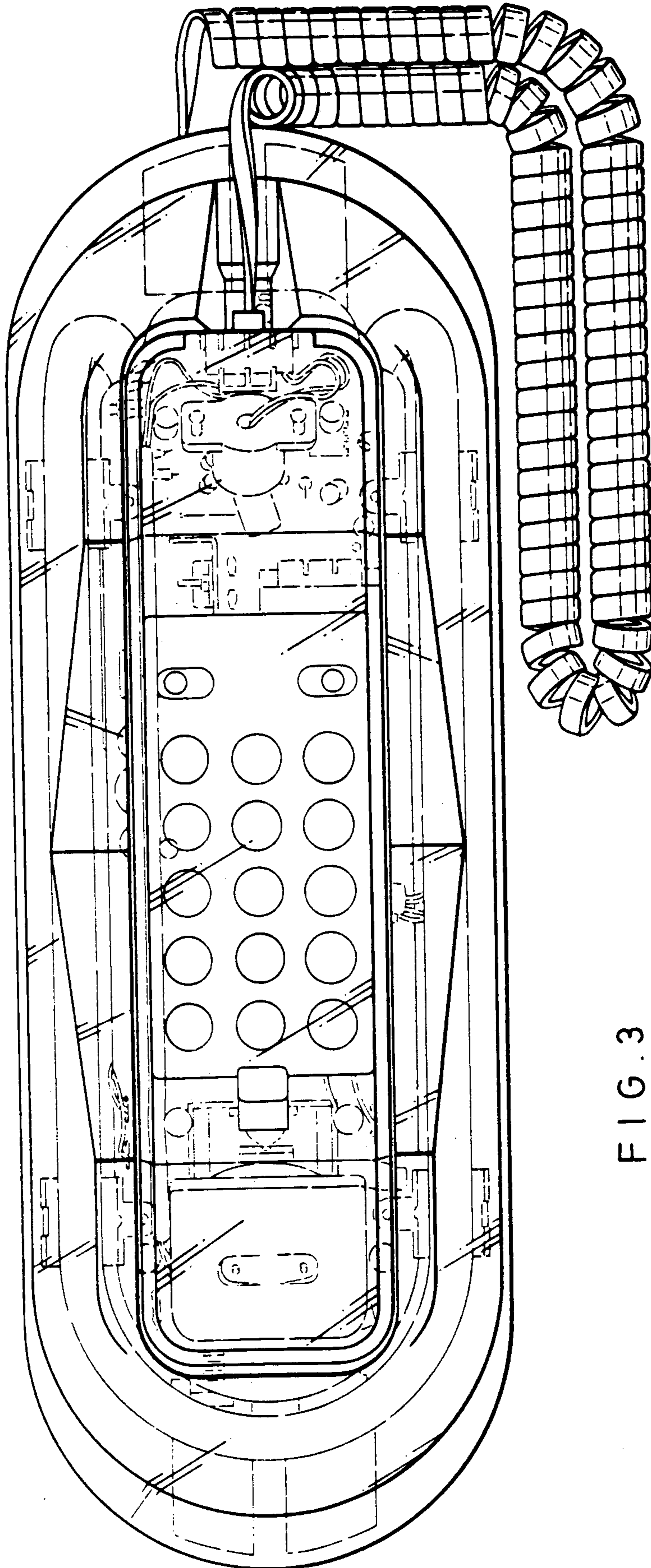


FIG. 3

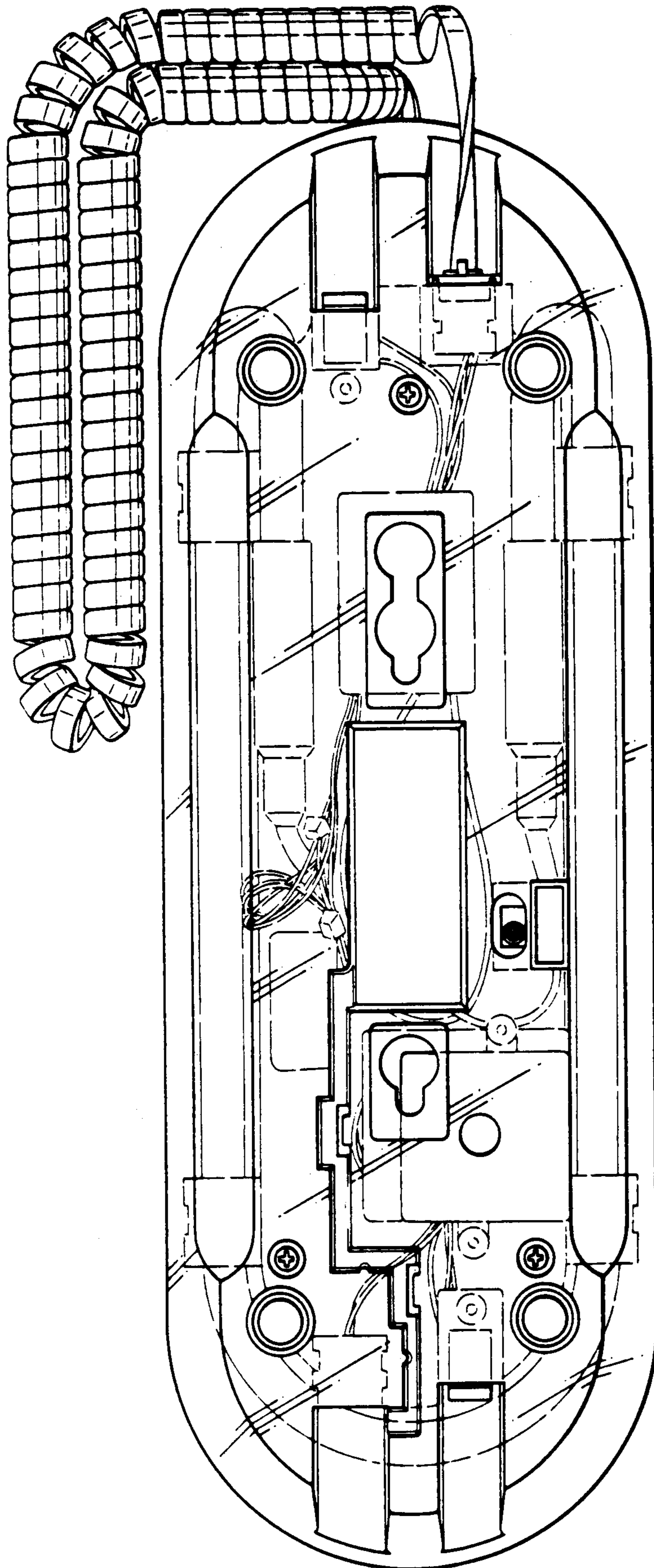


FIG. 4

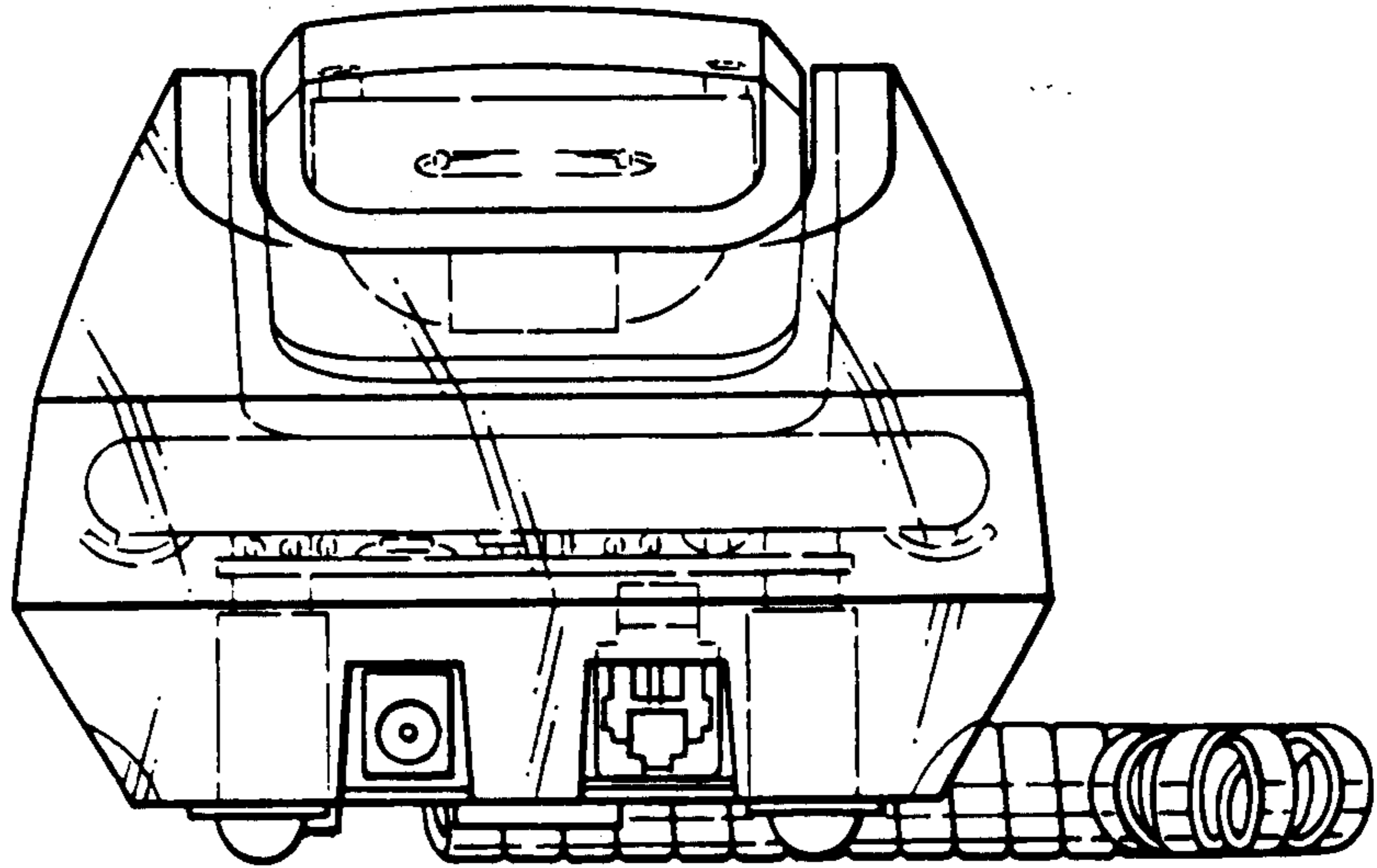


FIG. 5

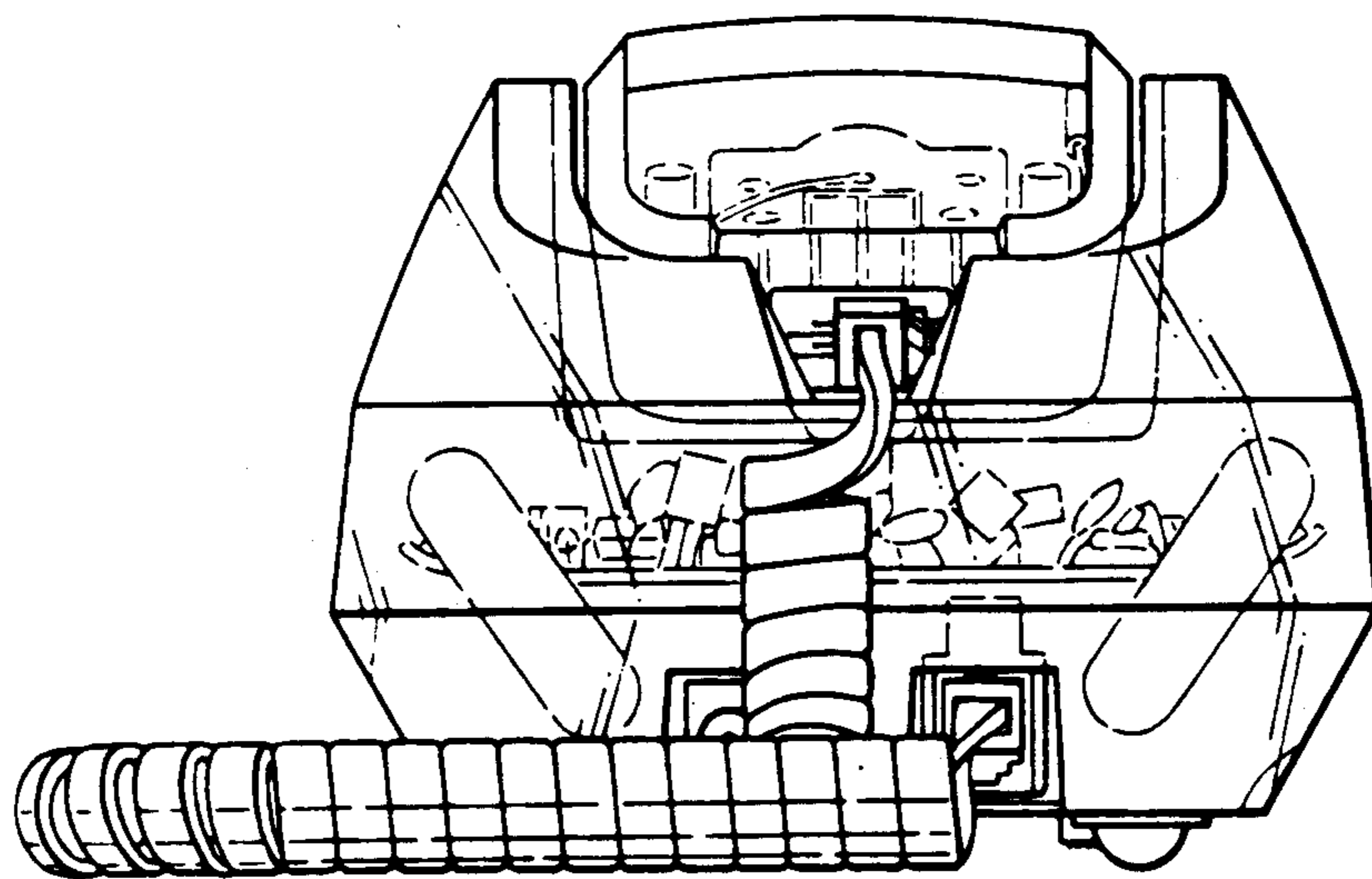


FIG. 6

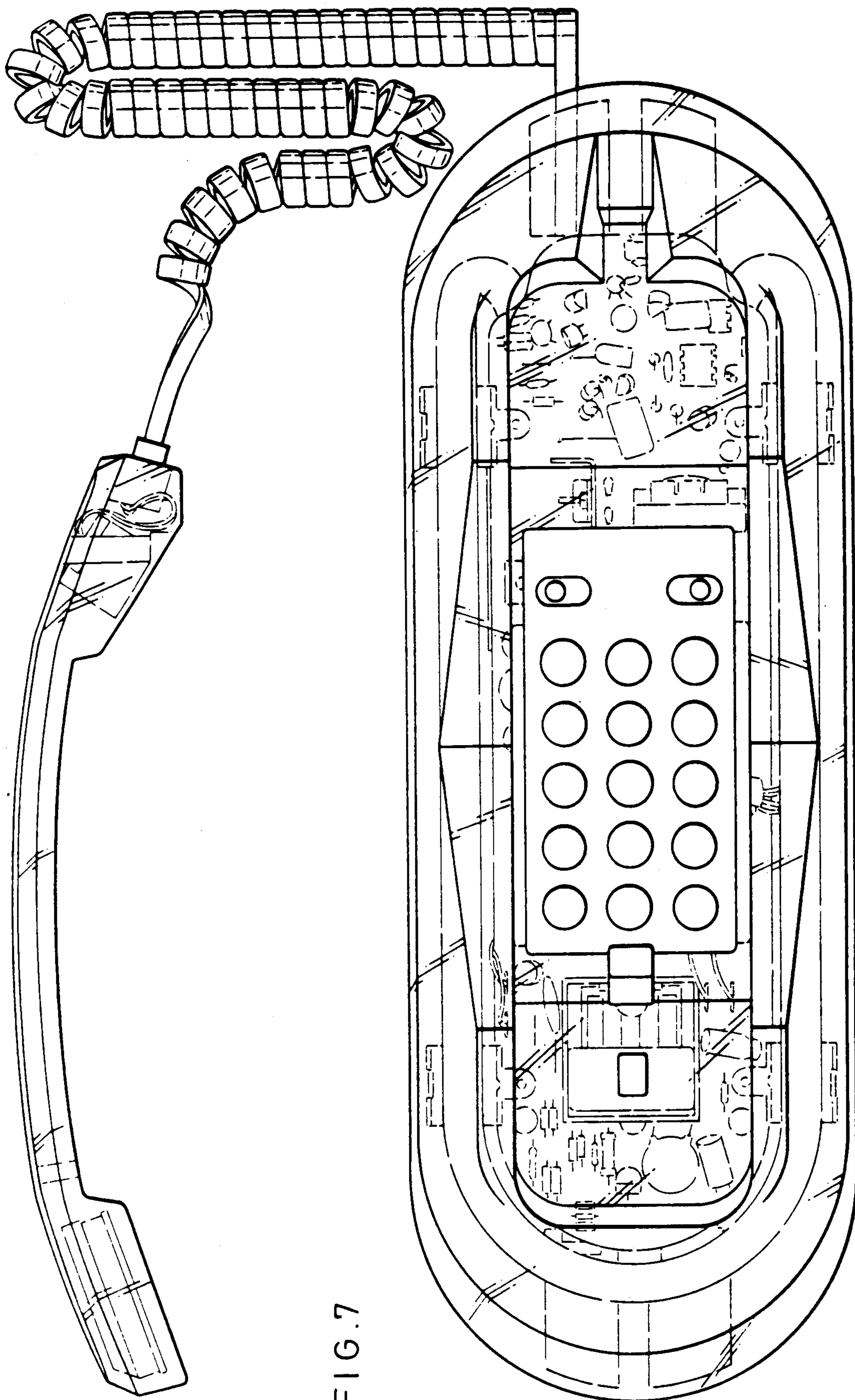


FIG. 7

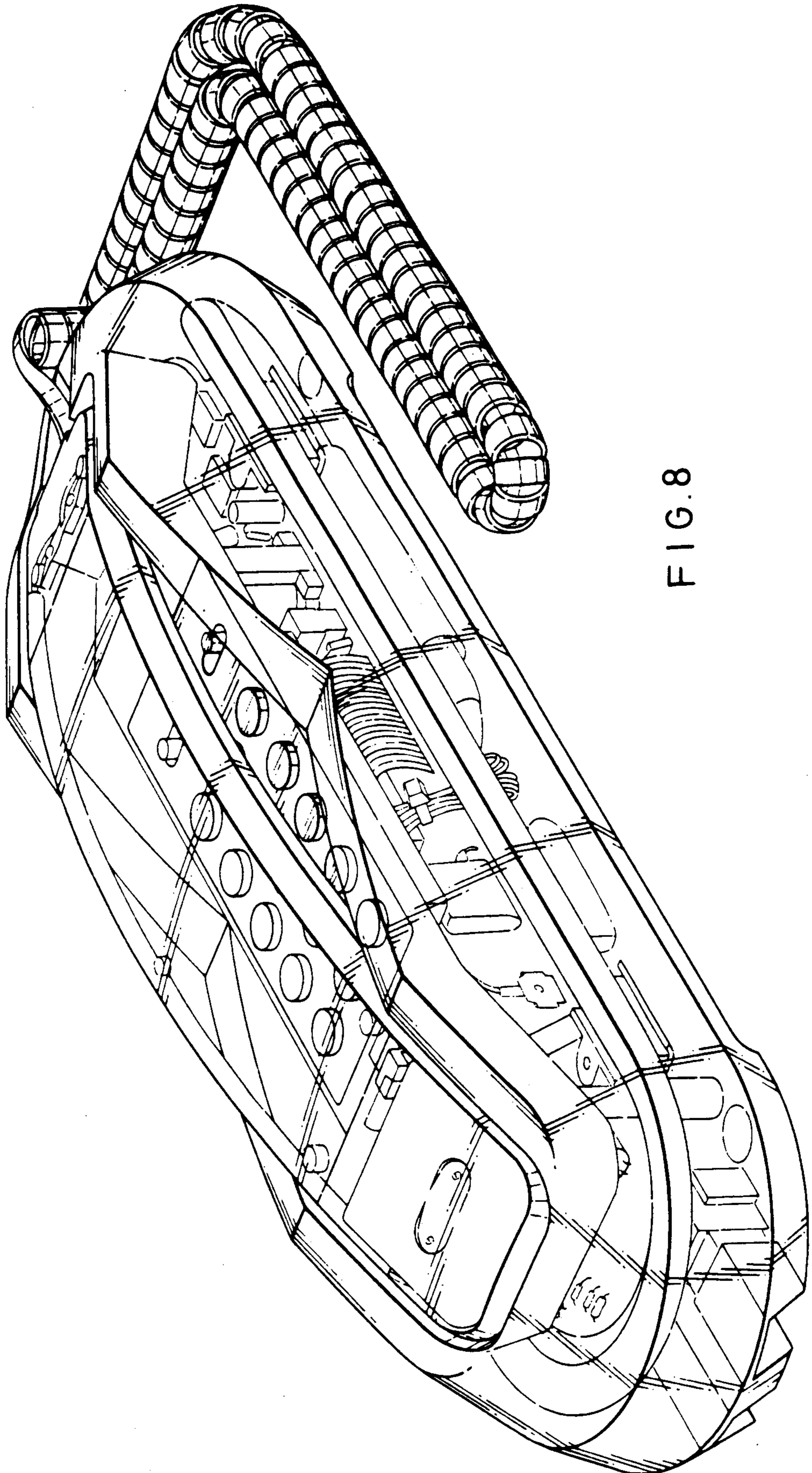


FIG. 8