

[54] **CIGARETTE LIGHTER ADAPTOR**

[76] **Inventor: Herbert Collins, 547 E. 148th St., Harvey, Ill. 60426**

[\*\*] **Term: 14 Years**

[21] **Appl. No.: 608,883**

[22] **Filed: Nov. 5, 1990**

[52] **U.S. Cl. .... D13/144; D13/133; D27/139**

[58] **Field of Search ..... D8/351, 353; D13/138, D13/133, 144, 137, 152; 98/202; 362/258, 253, 257; 219/202; 136/291; 239/152, 332; 364/551.01; 320/2, 51; 439/350, 354, 395, 396, 661-662, 668, 669, 679, 694**

[56] **References Cited**

**U.S. PATENT DOCUMENTS**

D. 69,222	1/1926	Knudsen .....	D8/353
D. 212,760	11/1968	Bordner .....	D8/353
D. 252,990	9/1979	Gietzen .....	D13/133
D. 300,626	4/1989	Crutcher .....	D13/144
D. 307,538	5/1990	Tyree .....	D8/353 X
D. 309,599	7/1990	Widell et al. ....	D13/133

D. 312,615	12/1990	Schwartz .....	D13/139
3,039,075	6/1962	Stollman .....	439/679
3,517,376	8/1968	Sarazen et al. ....	439/682 X
3,896,364	7/1975	Reister .....	320/51 X
4,054,352	10/1977	Rudin .	
4,353,613	10/1982	Carlow .	
4,547,139	3/1987	Yang .	
4,874,921	10/1989	Gerbig, Jr. ....	219/202

*Primary Examiner*—Susan J. Lucas  
*Assistant Examiner*—Houy H. Baynham  
*Attorney, Agent, or Firm*—Terry M. Gernstein

[57] **CLAIM**

The ornamental design for a cigarette lighter adaptor, as shown and described.

**DESCRIPTION**

FIG. 1 is a top, front and left side perspective view of the cigarette lighter adaptor embodying my new design. FIG. 2 is a rear elevational view thereof, the front elevational view being a mirror image. FIG. 3 is a right side elevational view thereof, the left side being a mirror image. FIG. 4 is a top plan view thereof. FIG. 5 is a bottom view thereof.

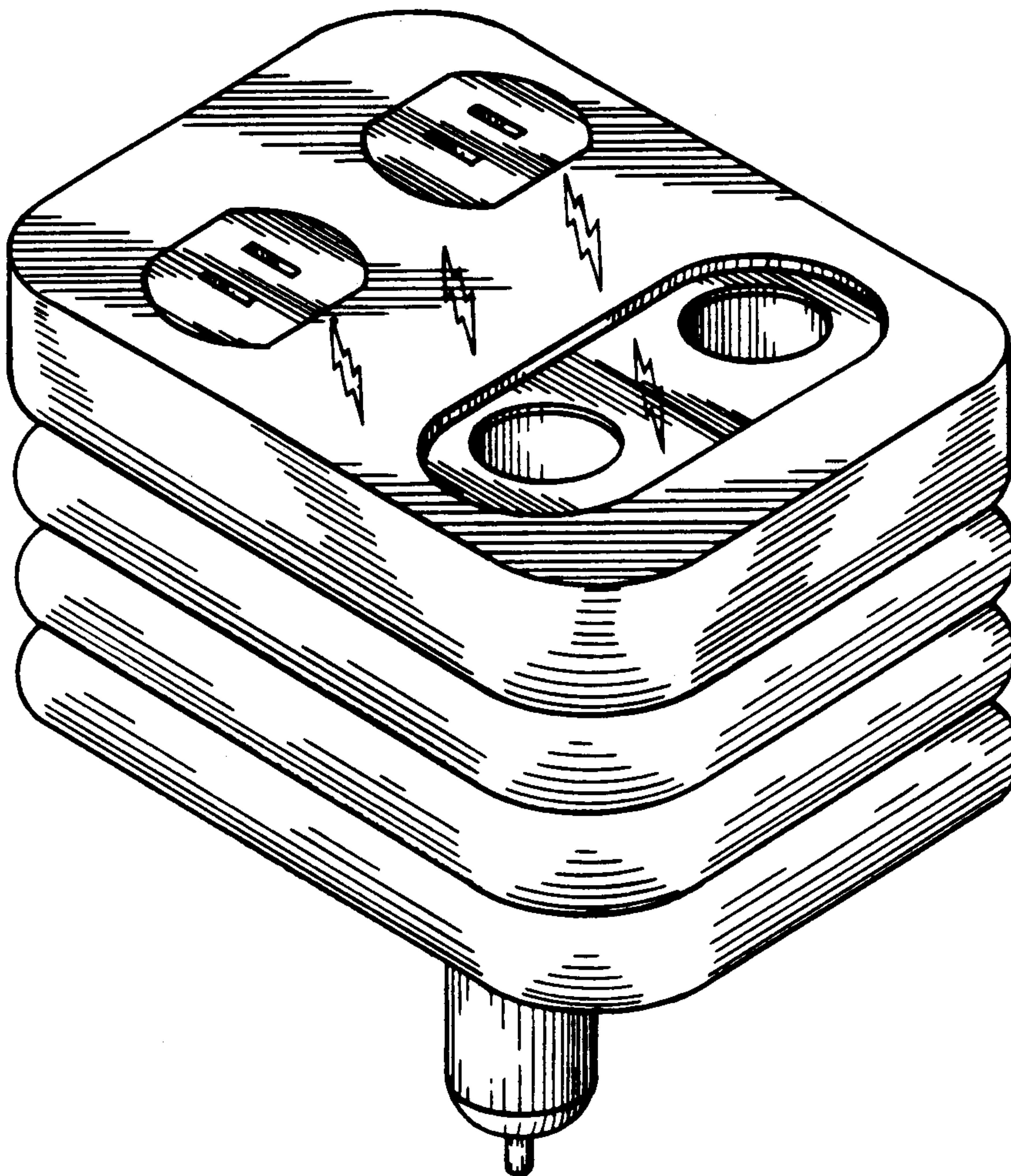


FIG. 1

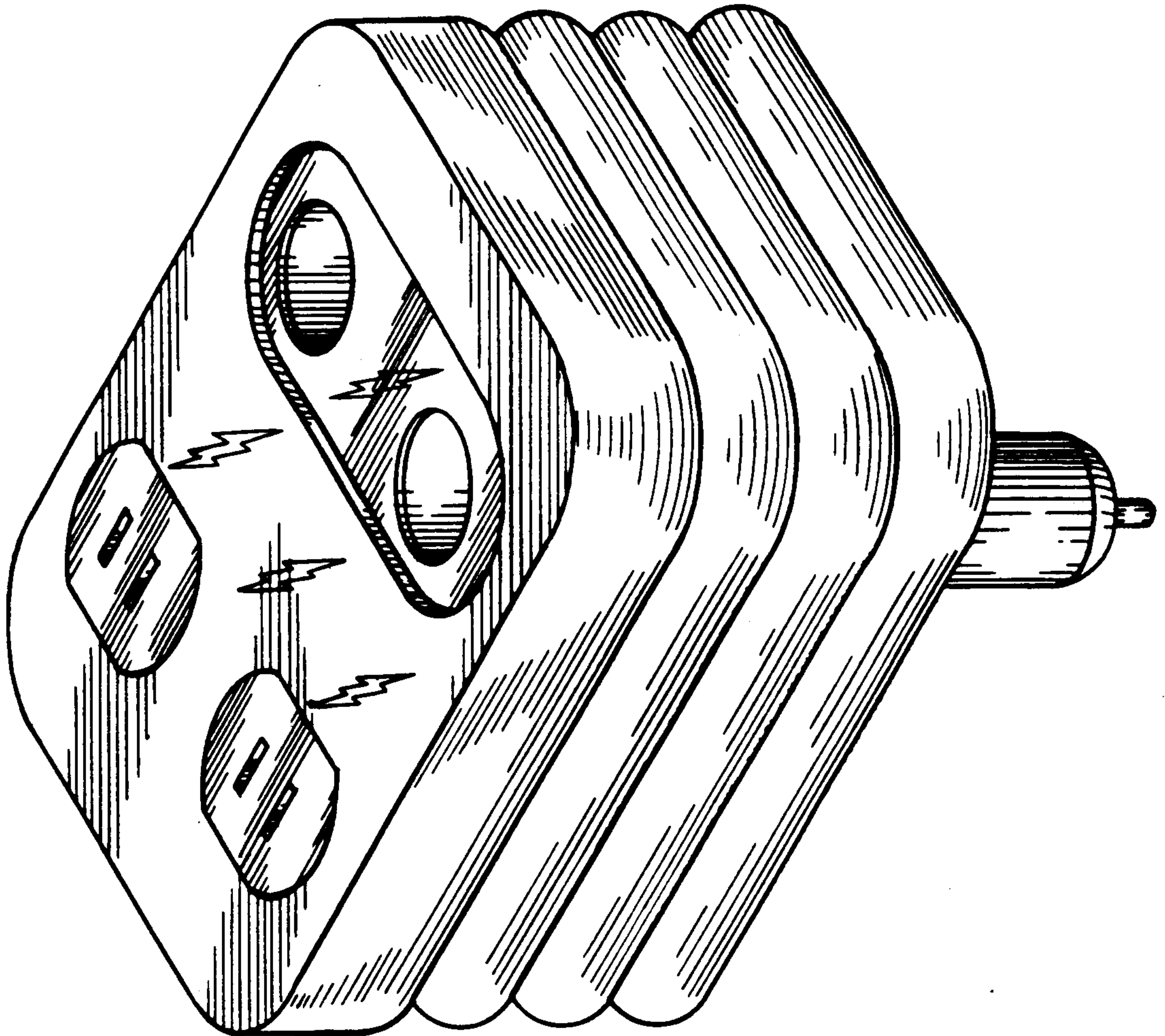


FIG. 3

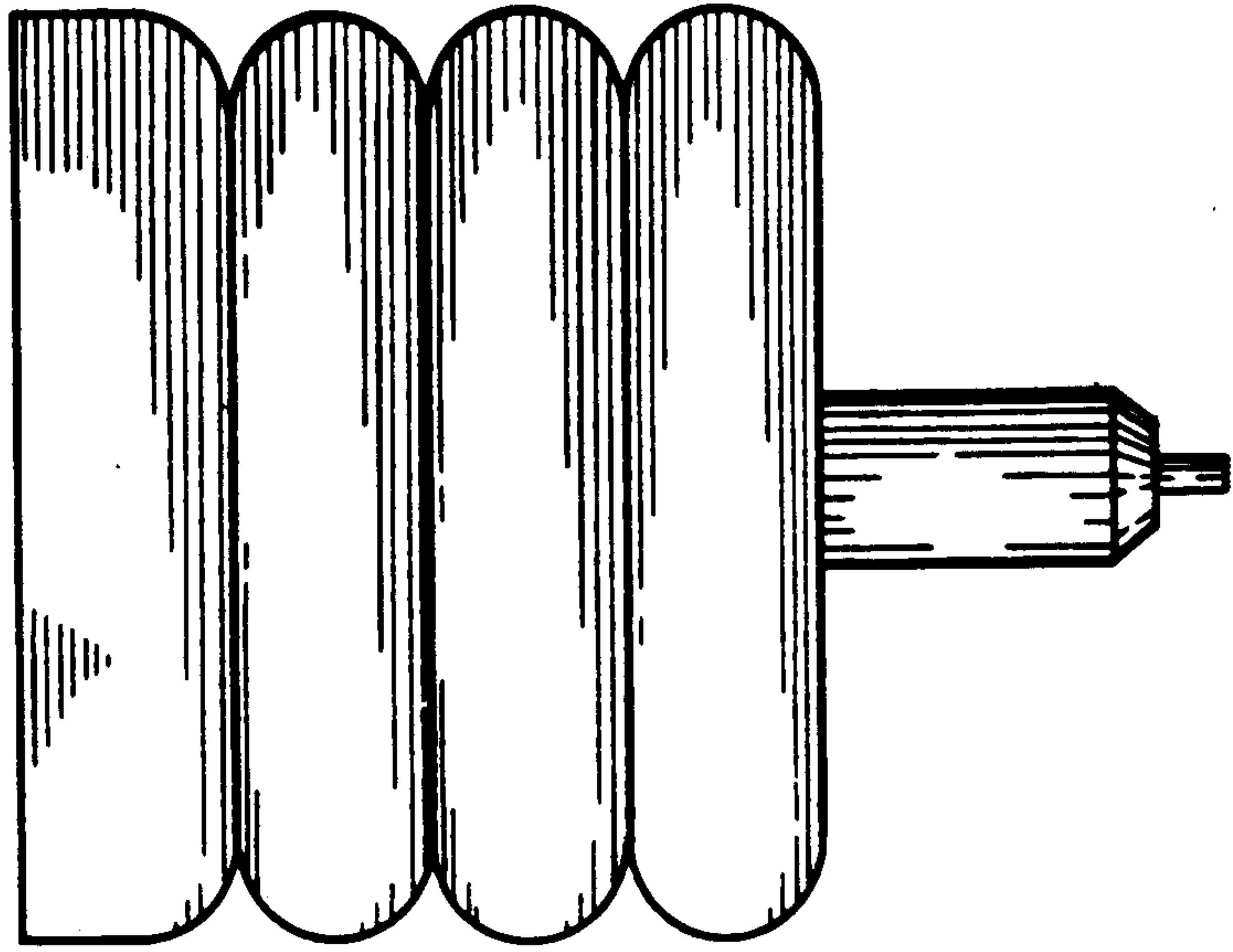


FIG. 2

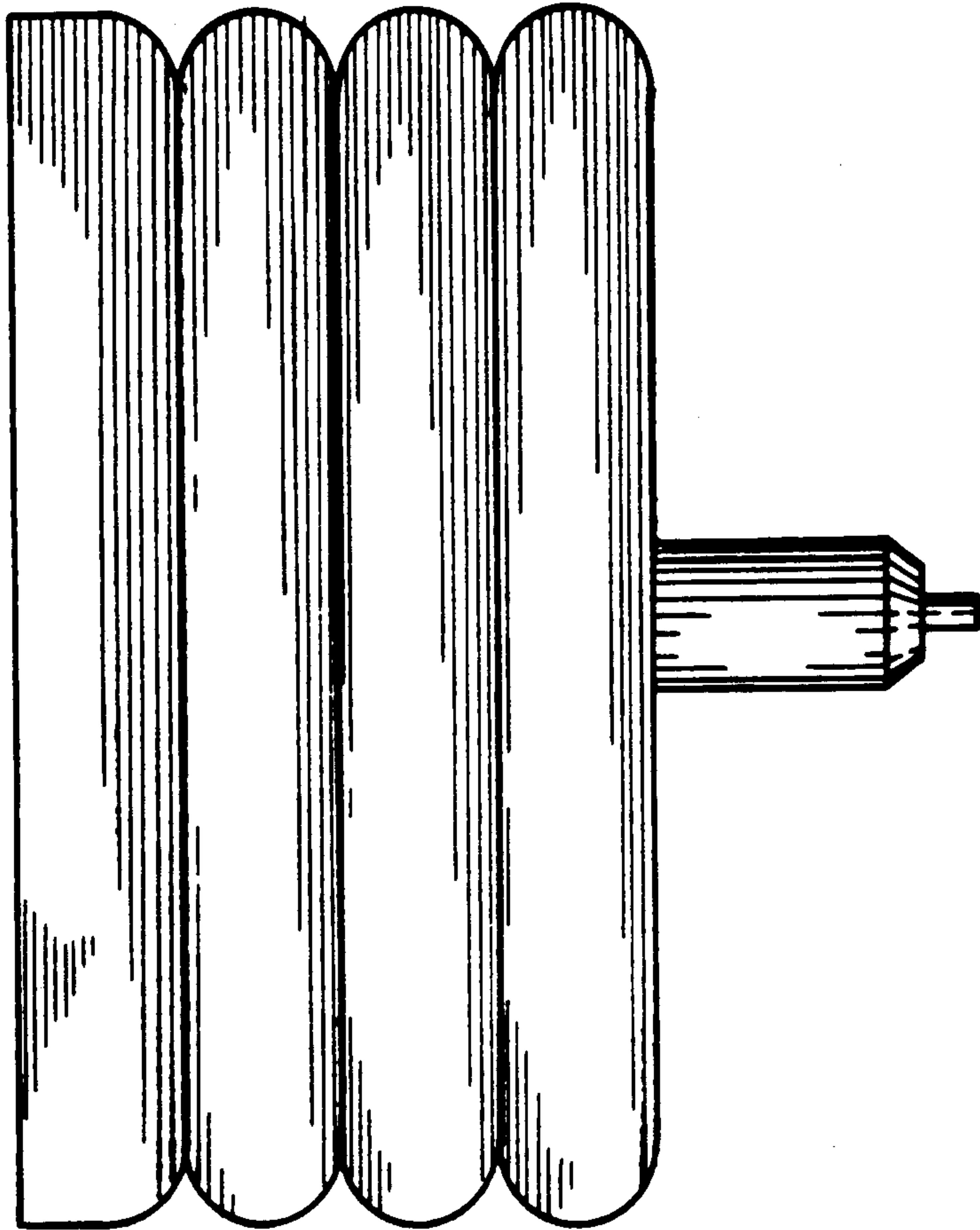




FIG. 5

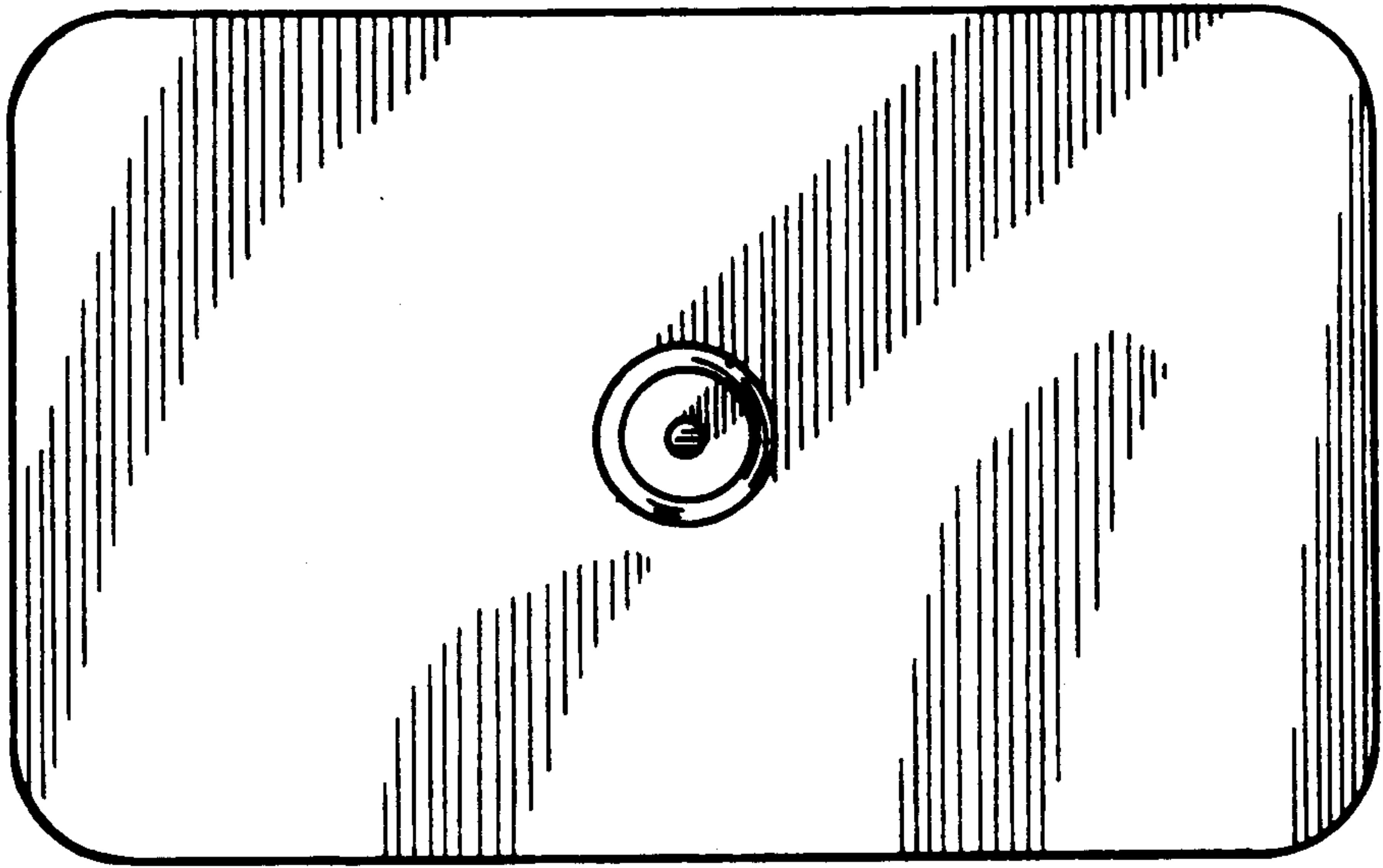


FIG. 4

