

[54] **TRUCK AIR DEFLECTOR**
[76] **Inventor: Daniel G. Judson, 7 Pleasant Ct., Waterville, Me. 04901**
[**] **Term: 14 Years**
[21] **Appl. No.: 420,221**
[22] **Filed: Oct. 12, 1989**
[52] **U.S. Cl. D12/181**
[58] **Field of Search D12/181; 296/180.1, 296/180.2, 180.4**

4,560,195 12/1985 Price et al. 296/180.4

Primary Examiner—James M. Gandy
Attorney, Agent, or Firm—Jerry T. Kearns

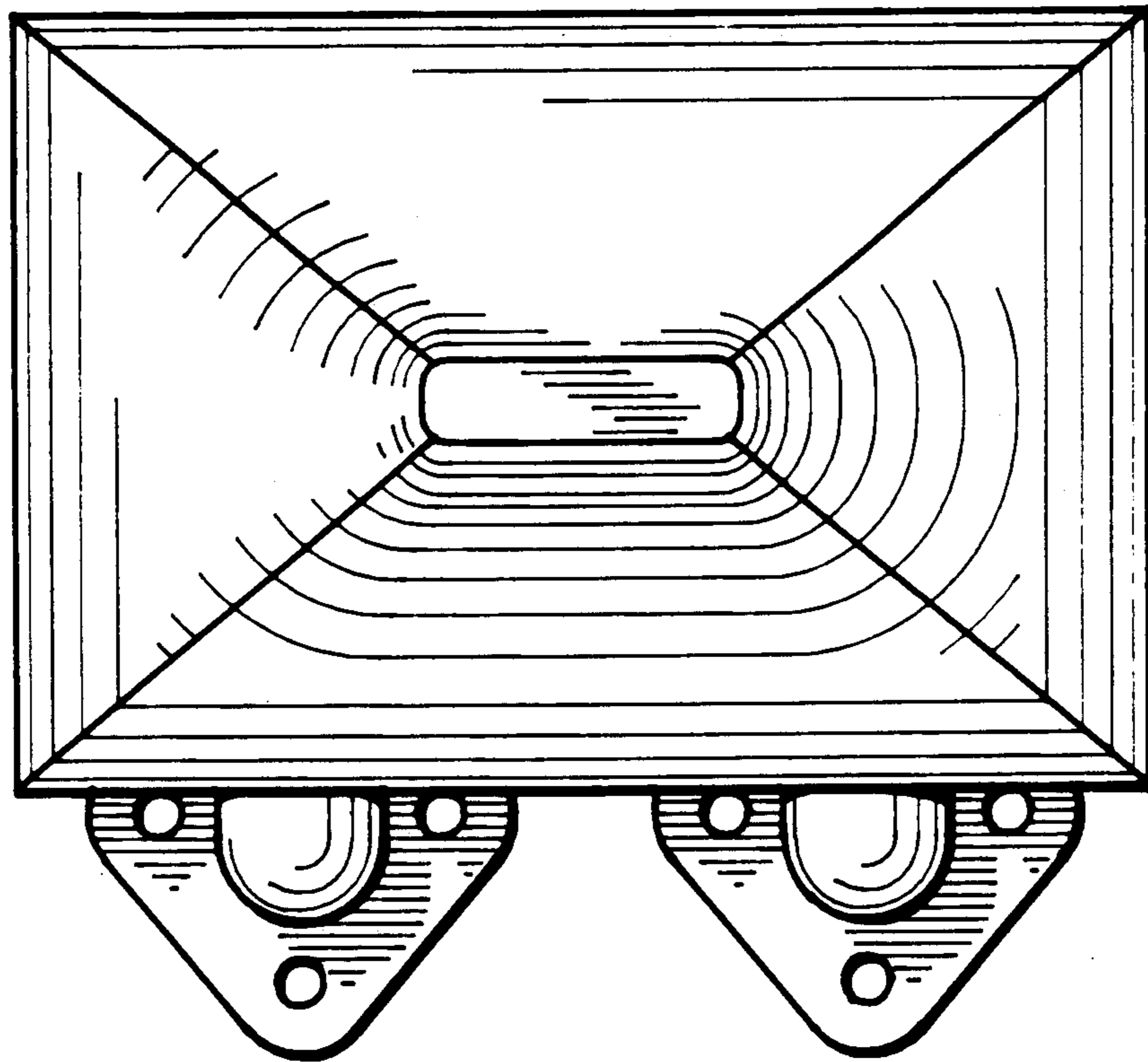
[57] **CLAIM**

The ornamental design for a truck air deflector, as shown.

DESCRIPTION

FIG. 1 is a front elevational view of a truck air deflector showing my new design;
FIG. 2 is a rear elevational view thereof;
FIG. 3 is a left side elevational view thereof;
FIG. 4 is a right side elevational view thereof;
FIG. 5 is a top plan view thereof; and,
FIG. 6 is a bottom plan view thereof.

[56] **References Cited**
U.S. PATENT DOCUMENTS
D. 266,158 9/1982 Sullivan D12/181
4,547,013 10/1985 McDaniel 296/180.1



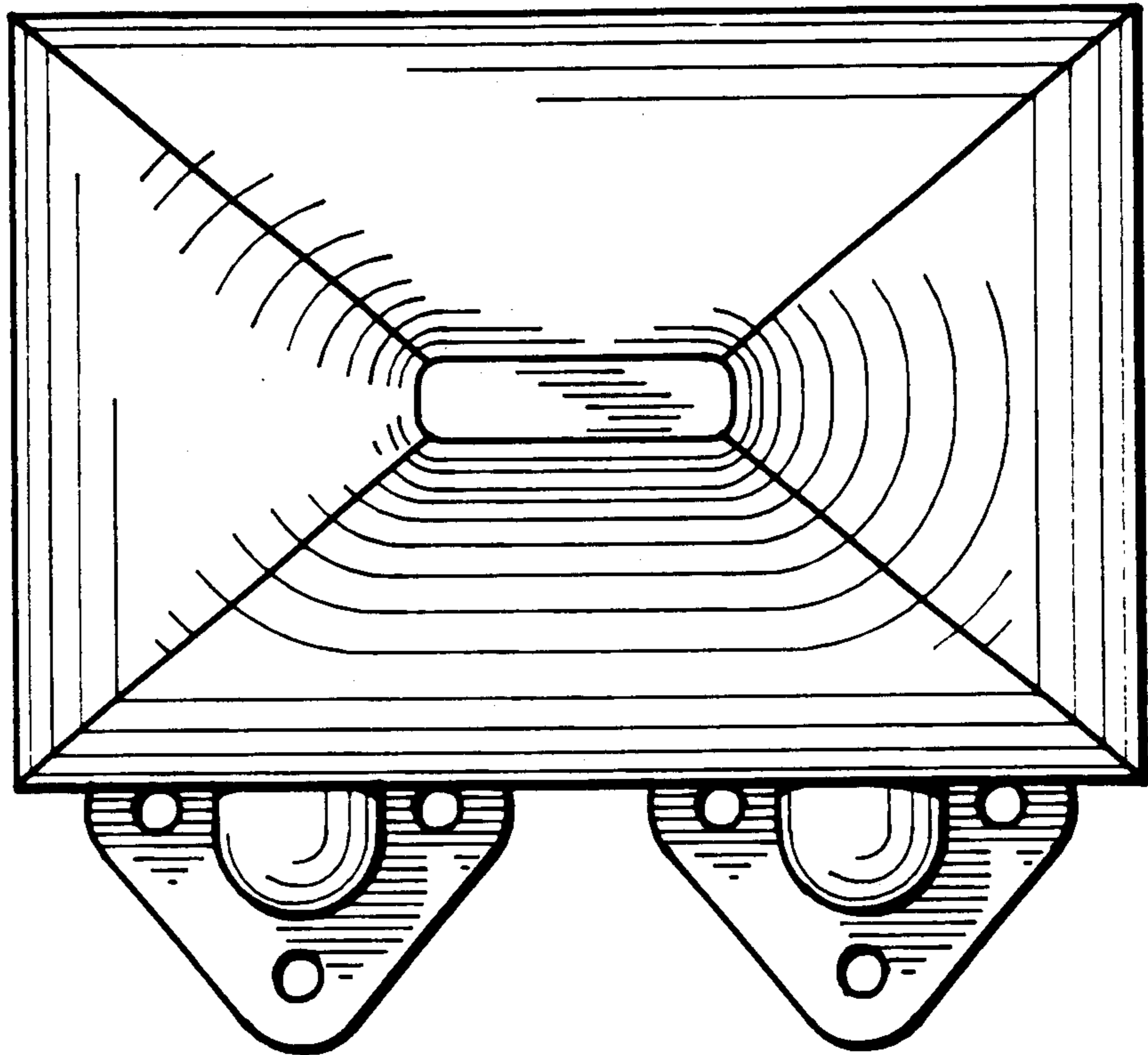


Fig. 1

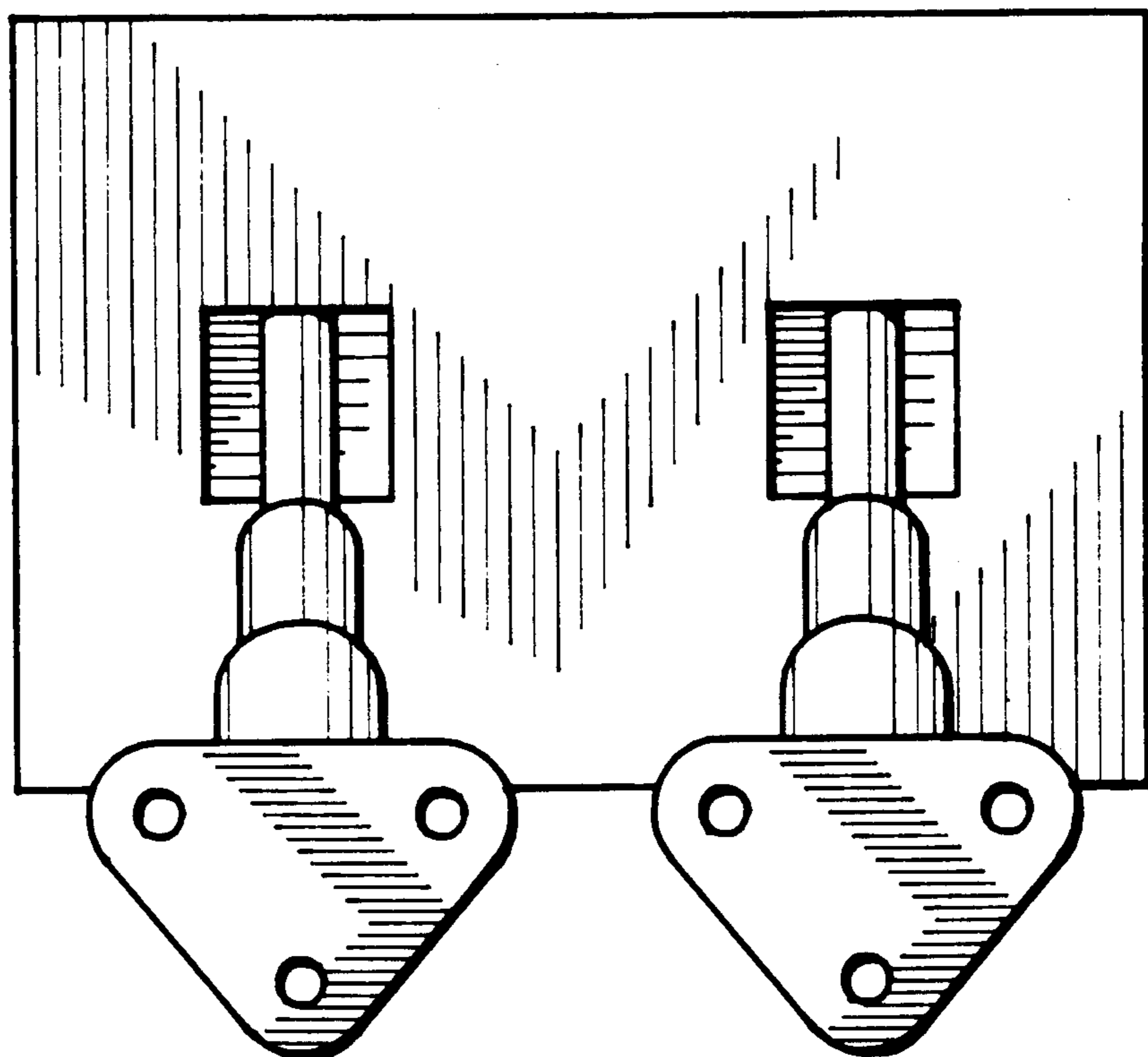


Fig. 2

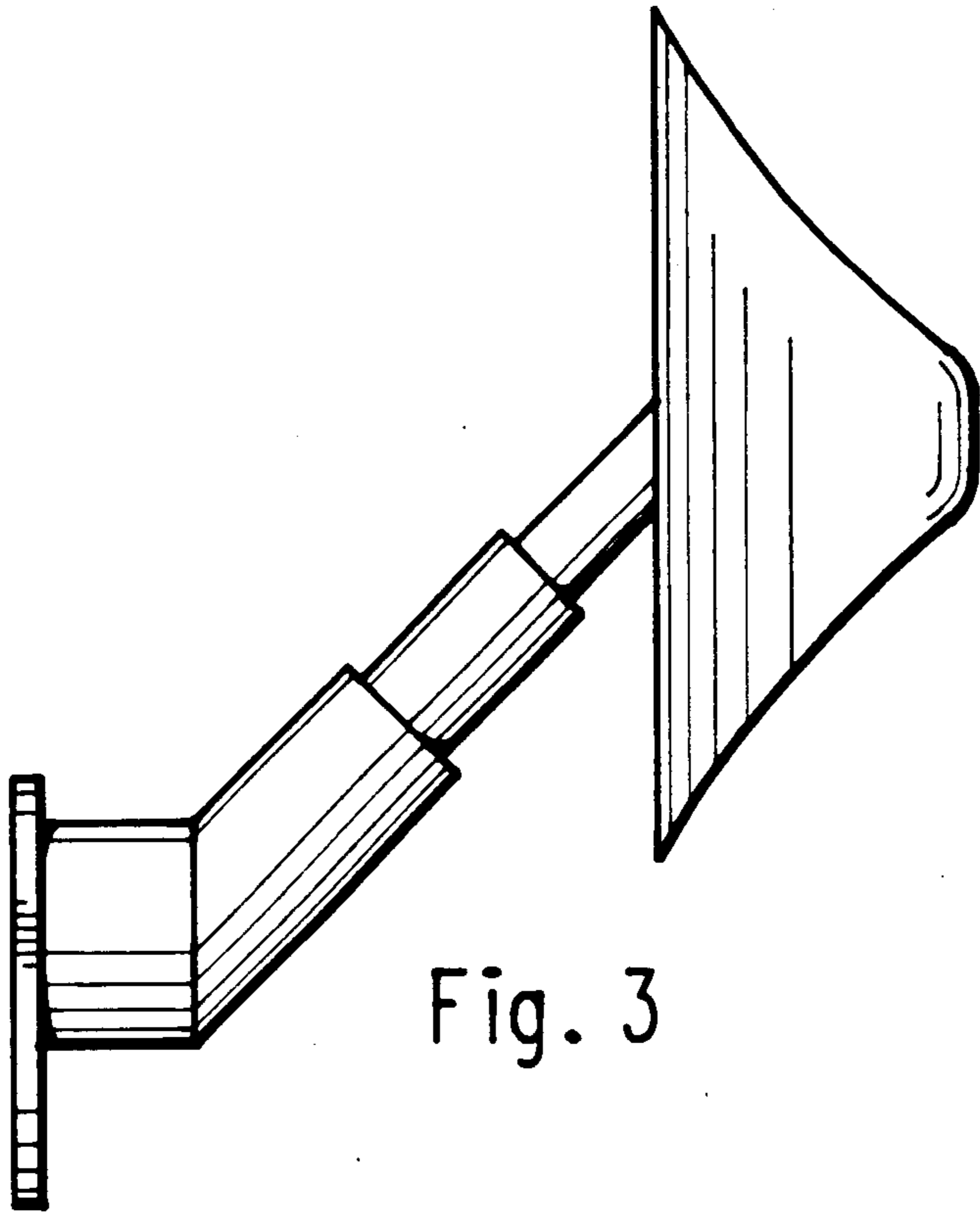


Fig. 3

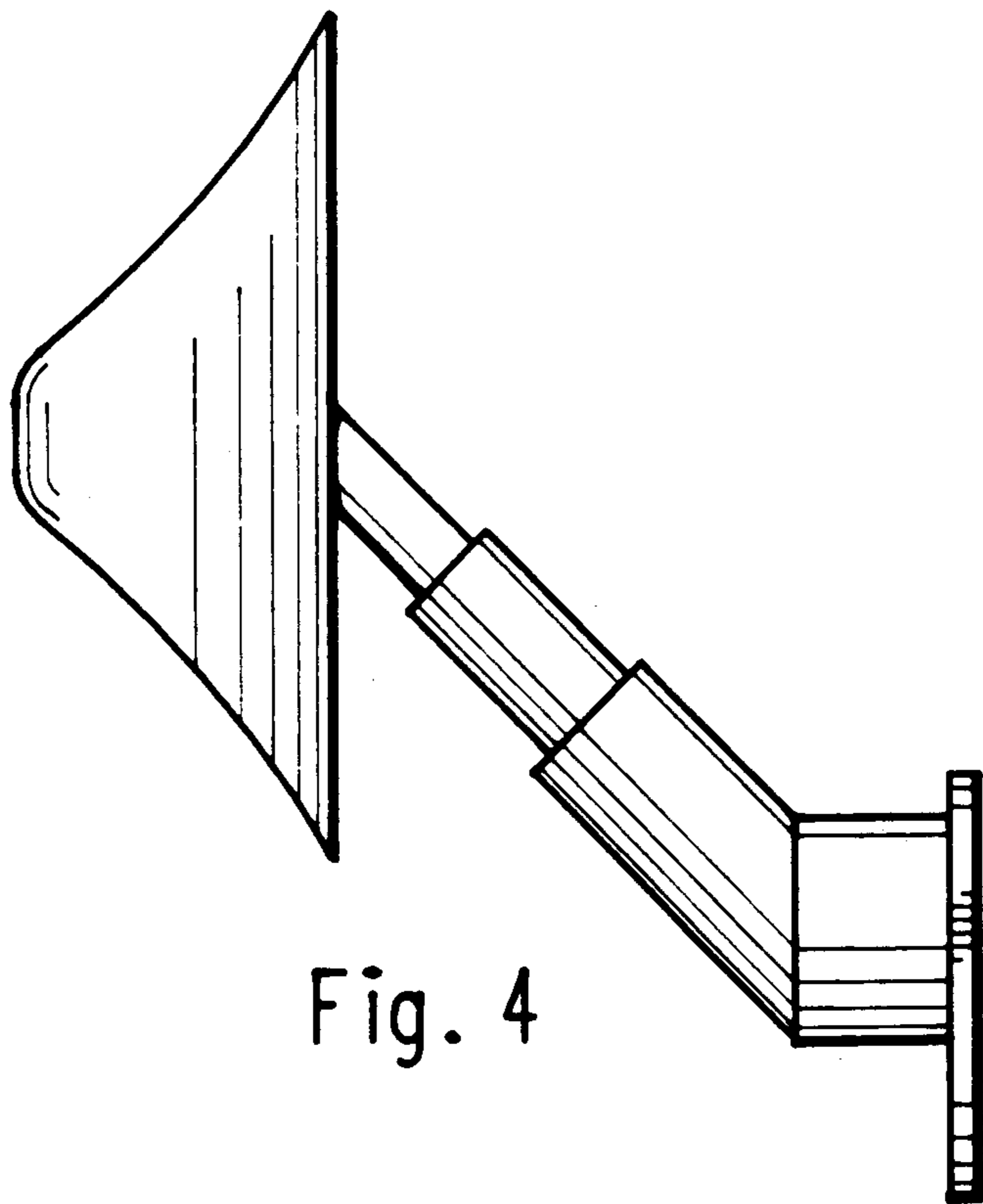


Fig. 4

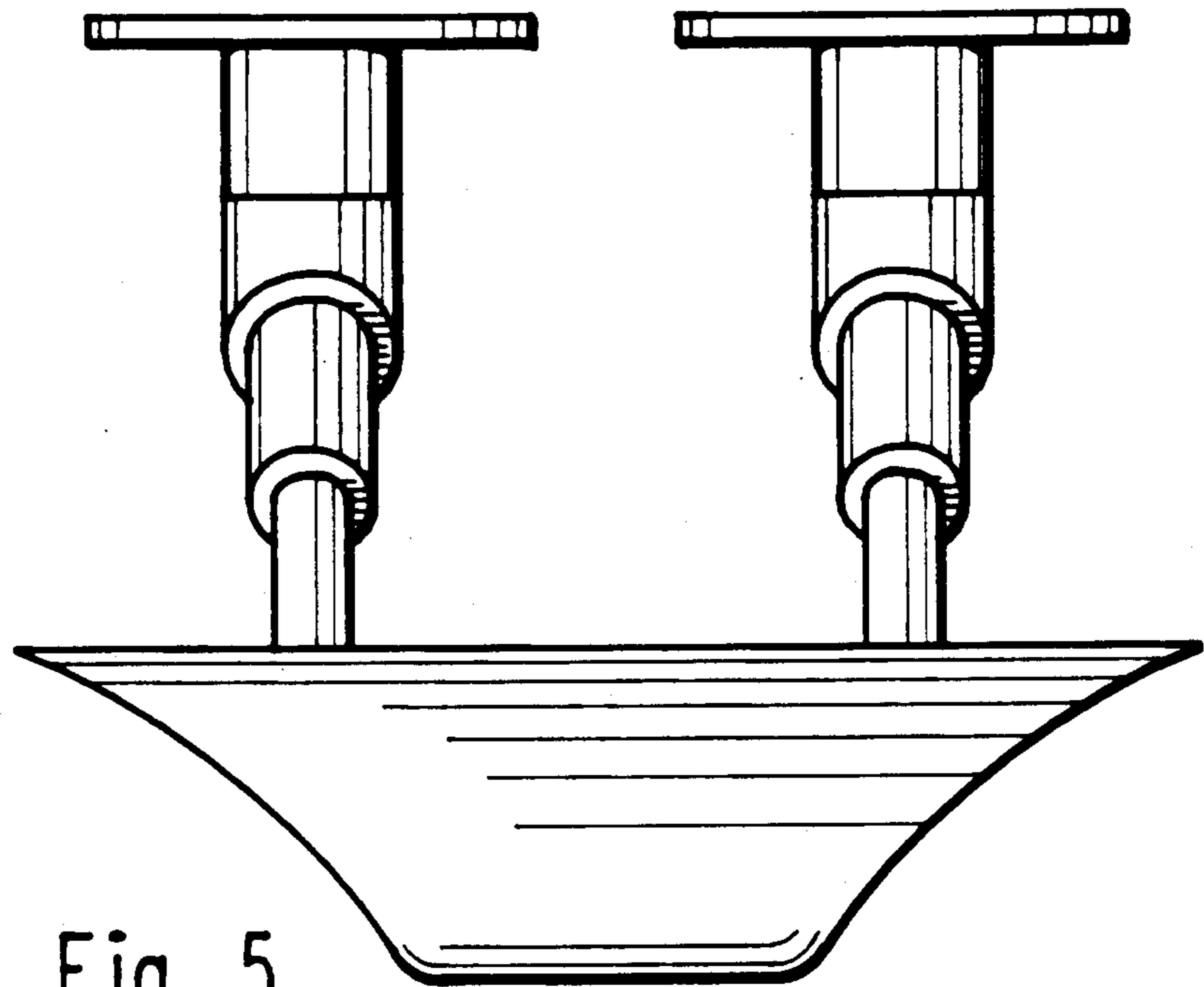


Fig. 5

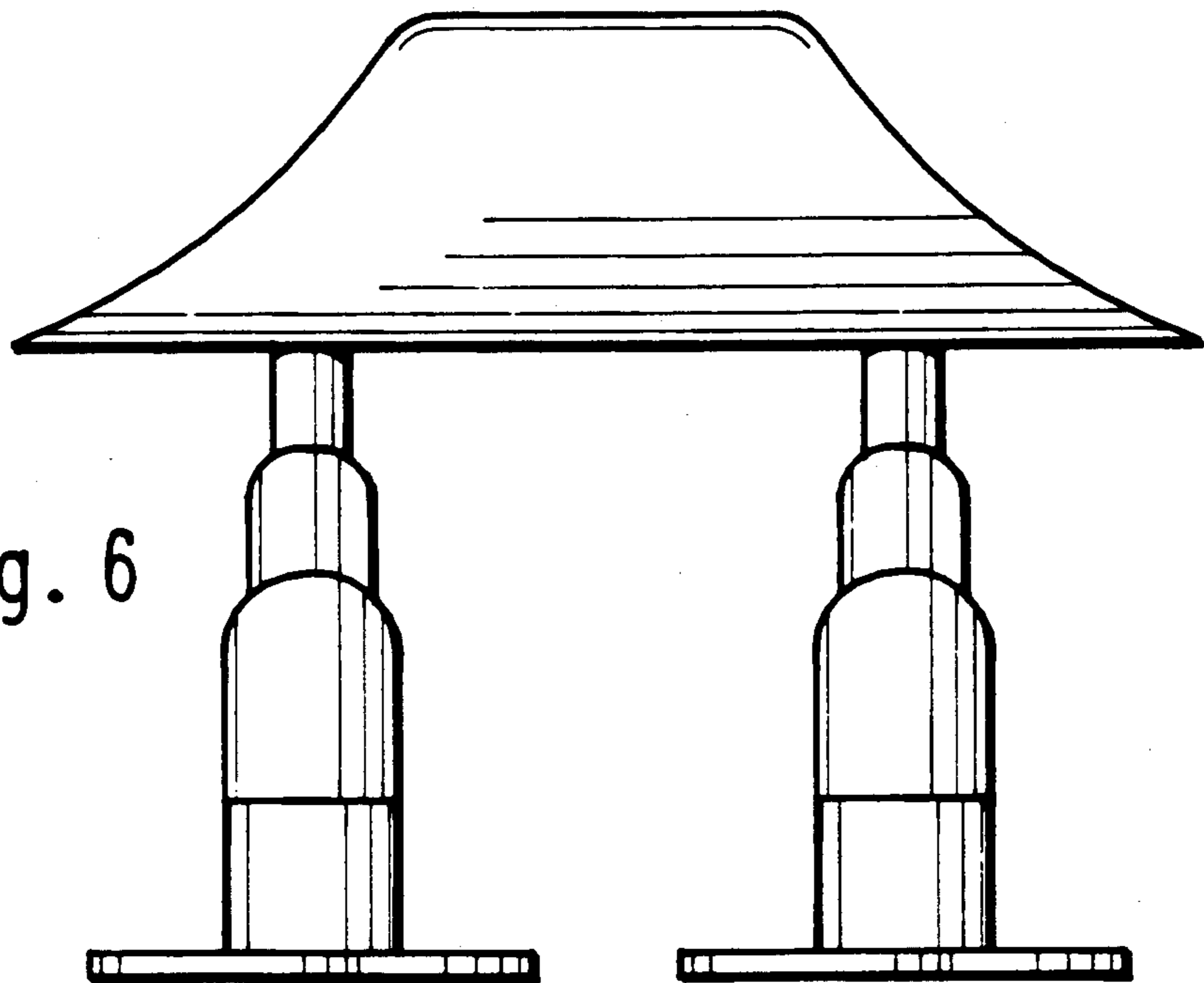


Fig. 6