

[54] BAND STRETCHER FOR CARTOP CARRIERS

[76] Inventor: Jan Wärnelöv, Villa Nord, Töras, S-334 00, Sweden

[\*\*] Term: 14 Years

[21] Appl. No.: 320,430

[22] Filed: Mar. 8, 1989

[52] U.S. Cl. .... D12/157; D8/359

[58] Field of Search ..... D12/157; D8/359; 224/309, 321, 324-327; 242/86.5, 86.52; 410/103, 100

[56] References Cited

U.S. PATENT DOCUMENTS

4,369,009 1/1983 Fulford ..... 224/324

OTHER PUBLICATIONS

Four pages of literature on "Fasty", bandstretcher, published prior to Sep. 1988.

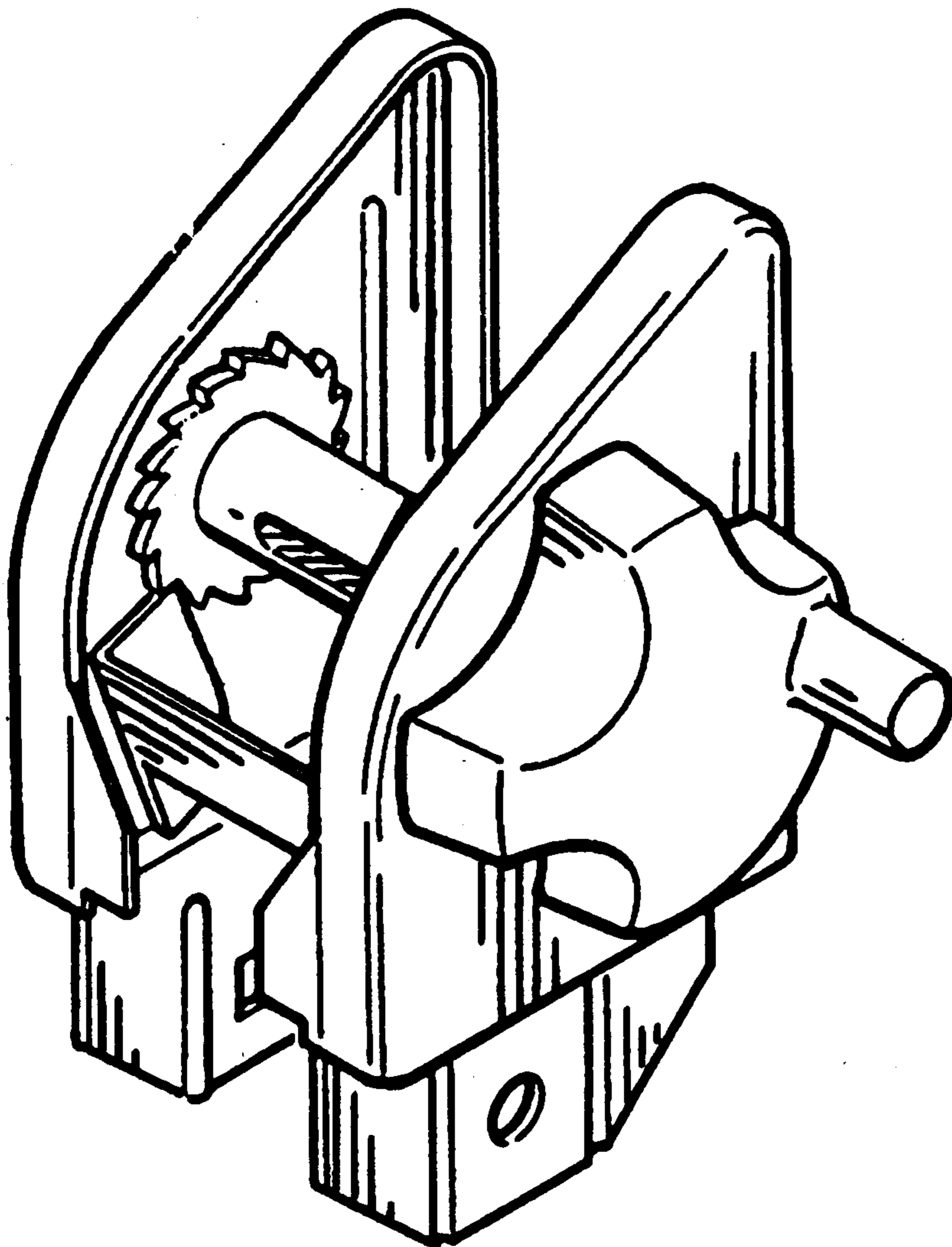
Primary Examiner—James M. Gandy  
Attorney, Agent, or Firm—Howson & Howson

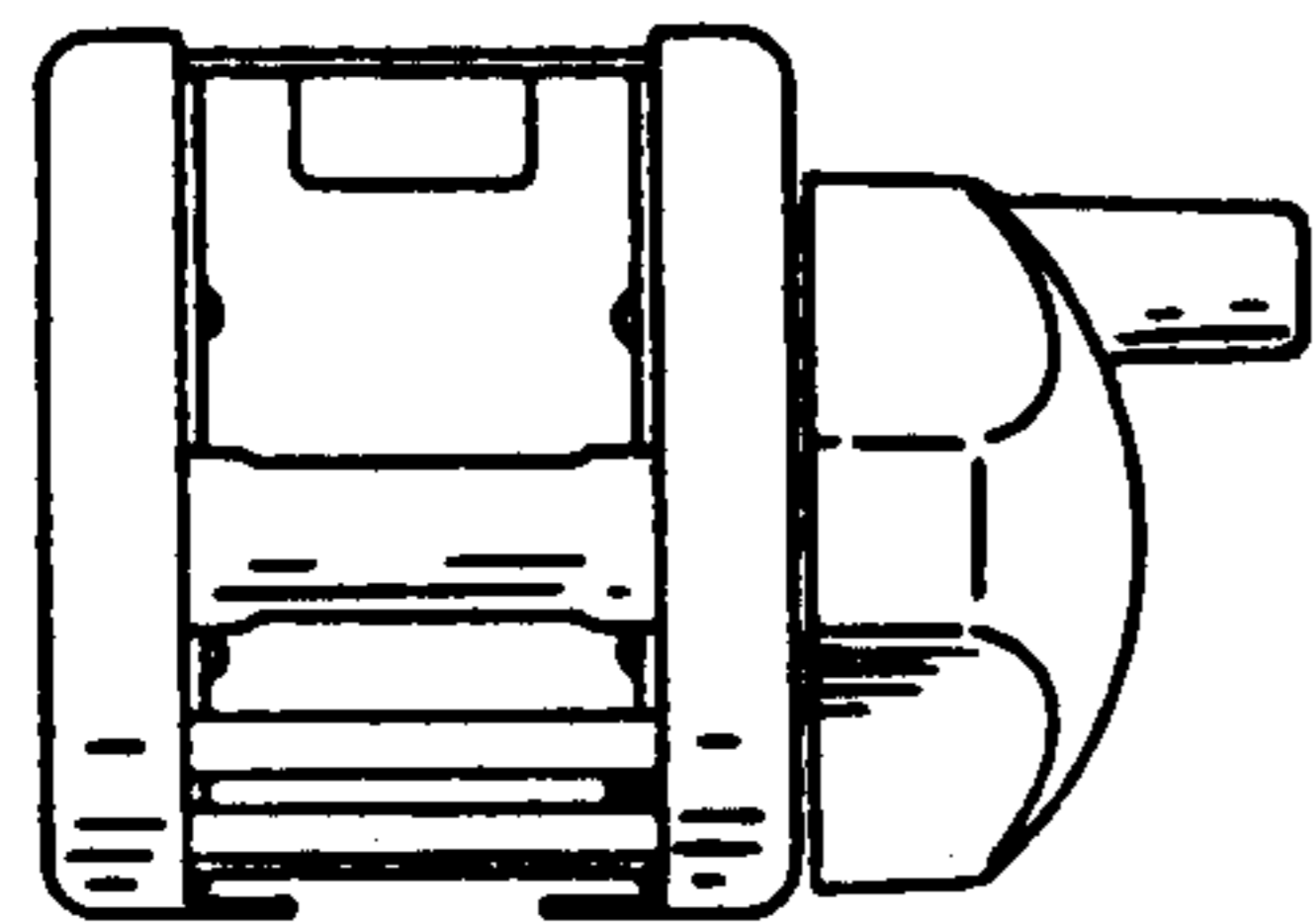
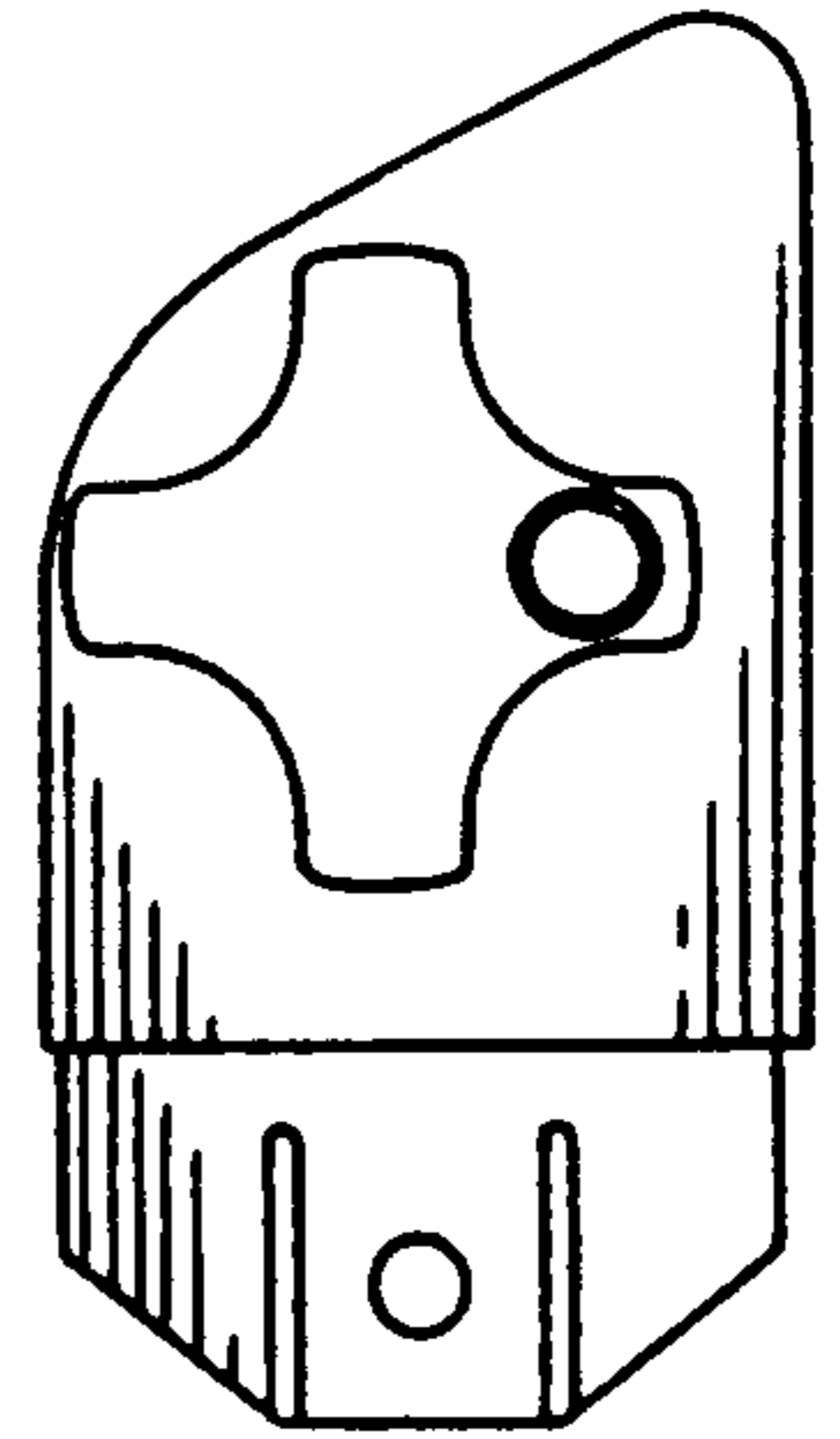
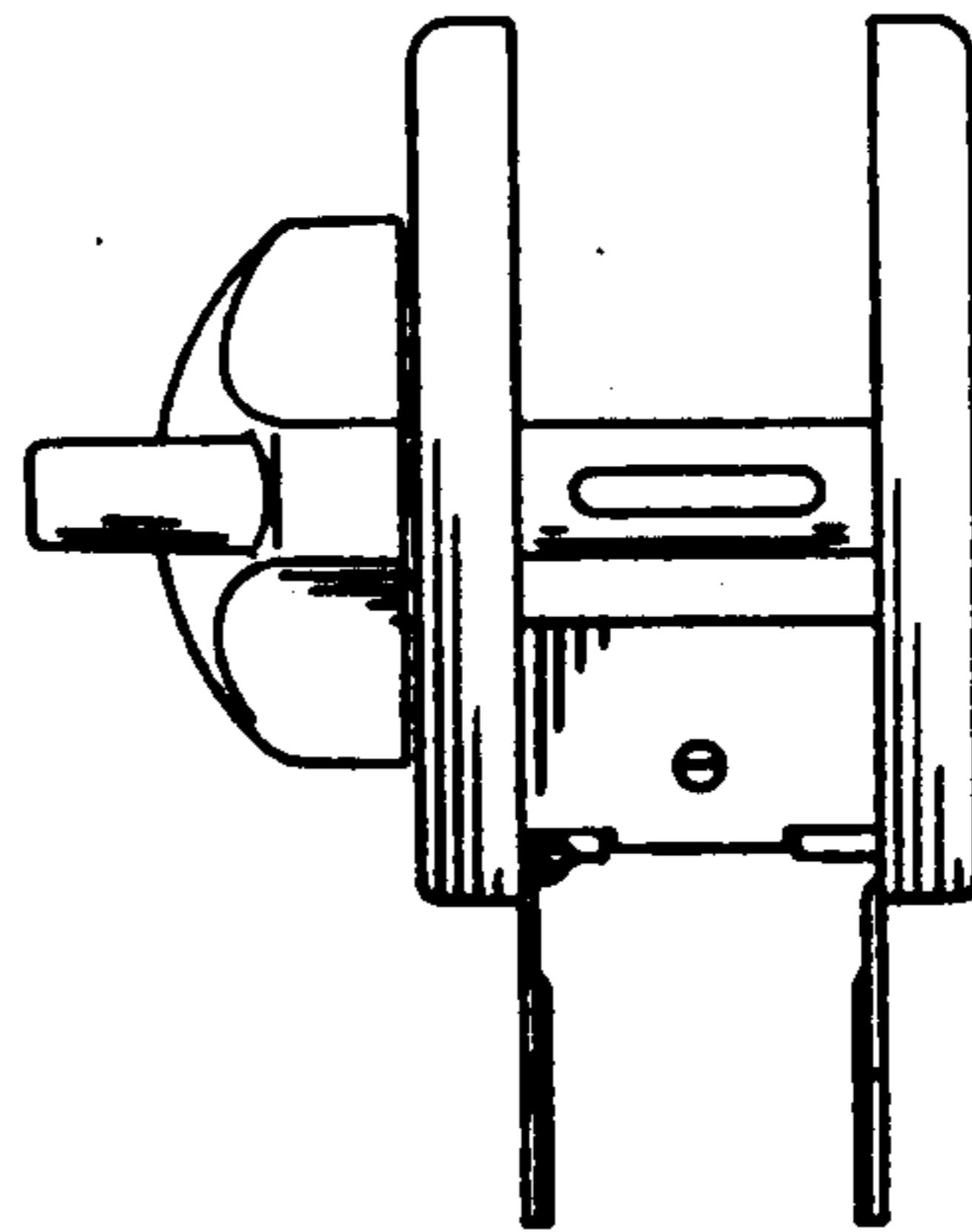
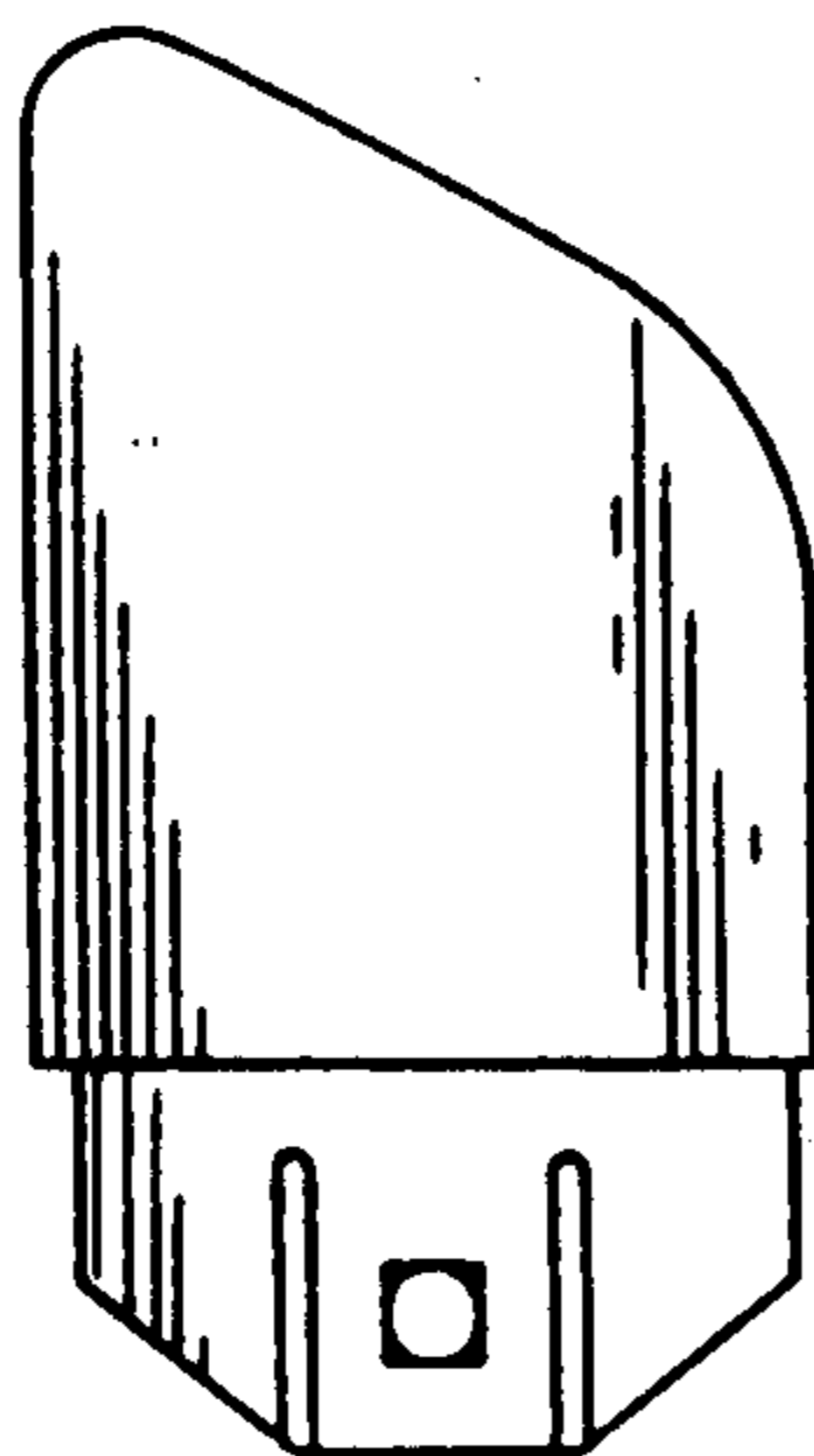
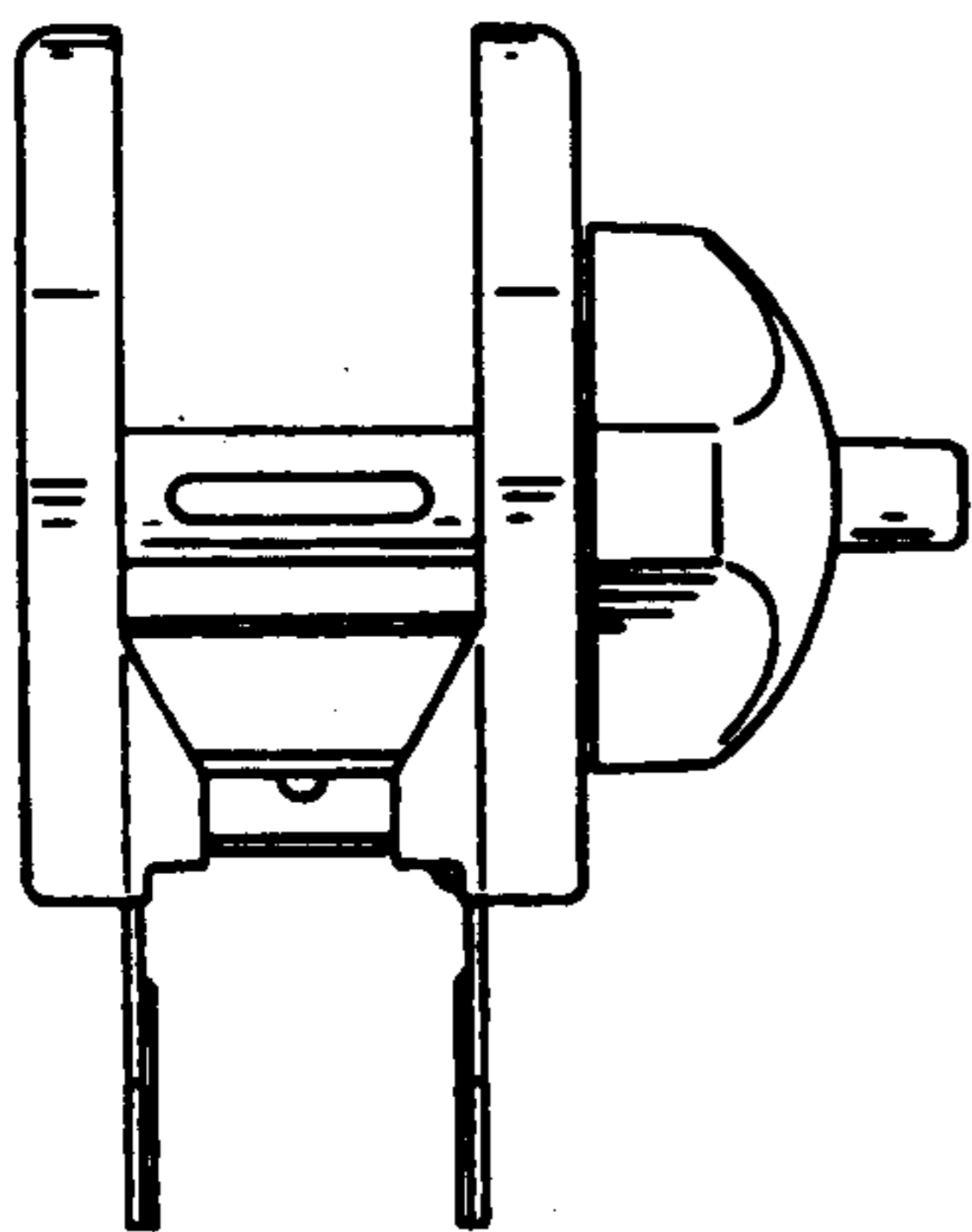
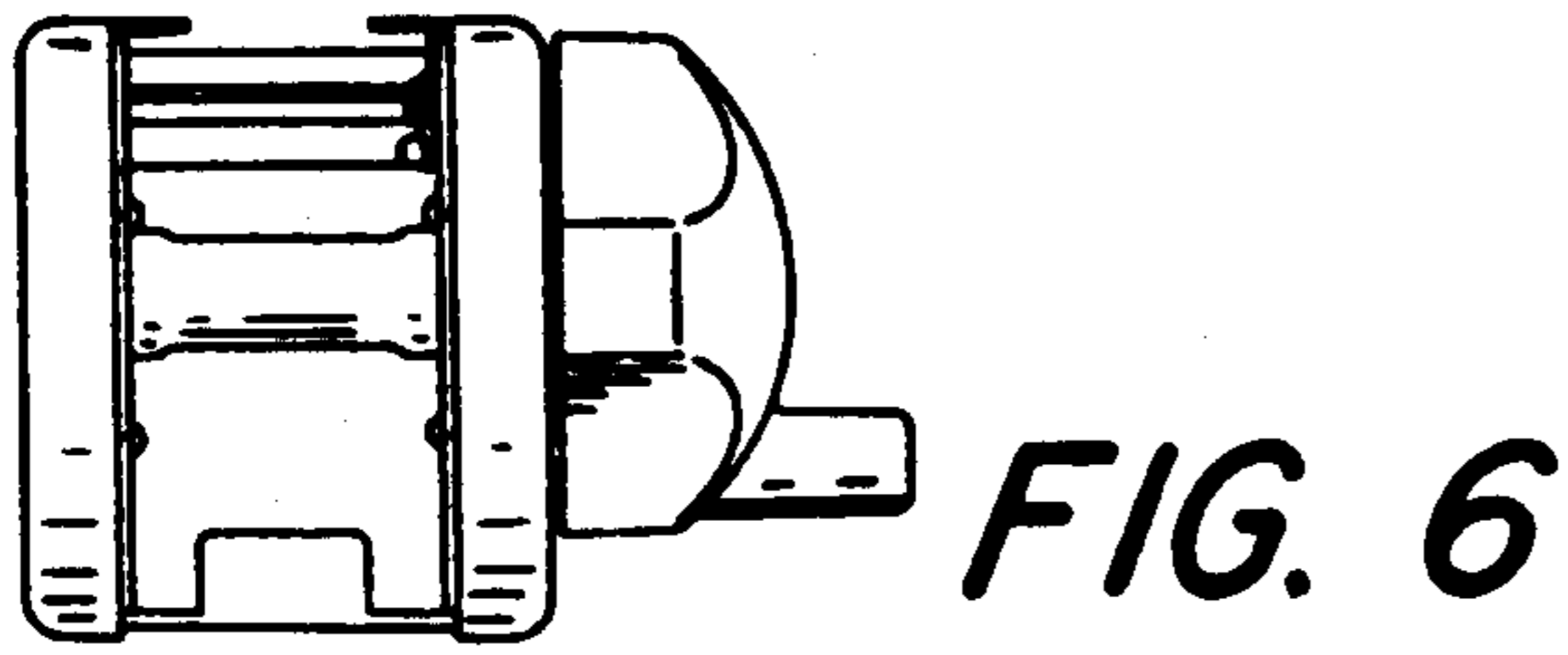
[57] CLAIM

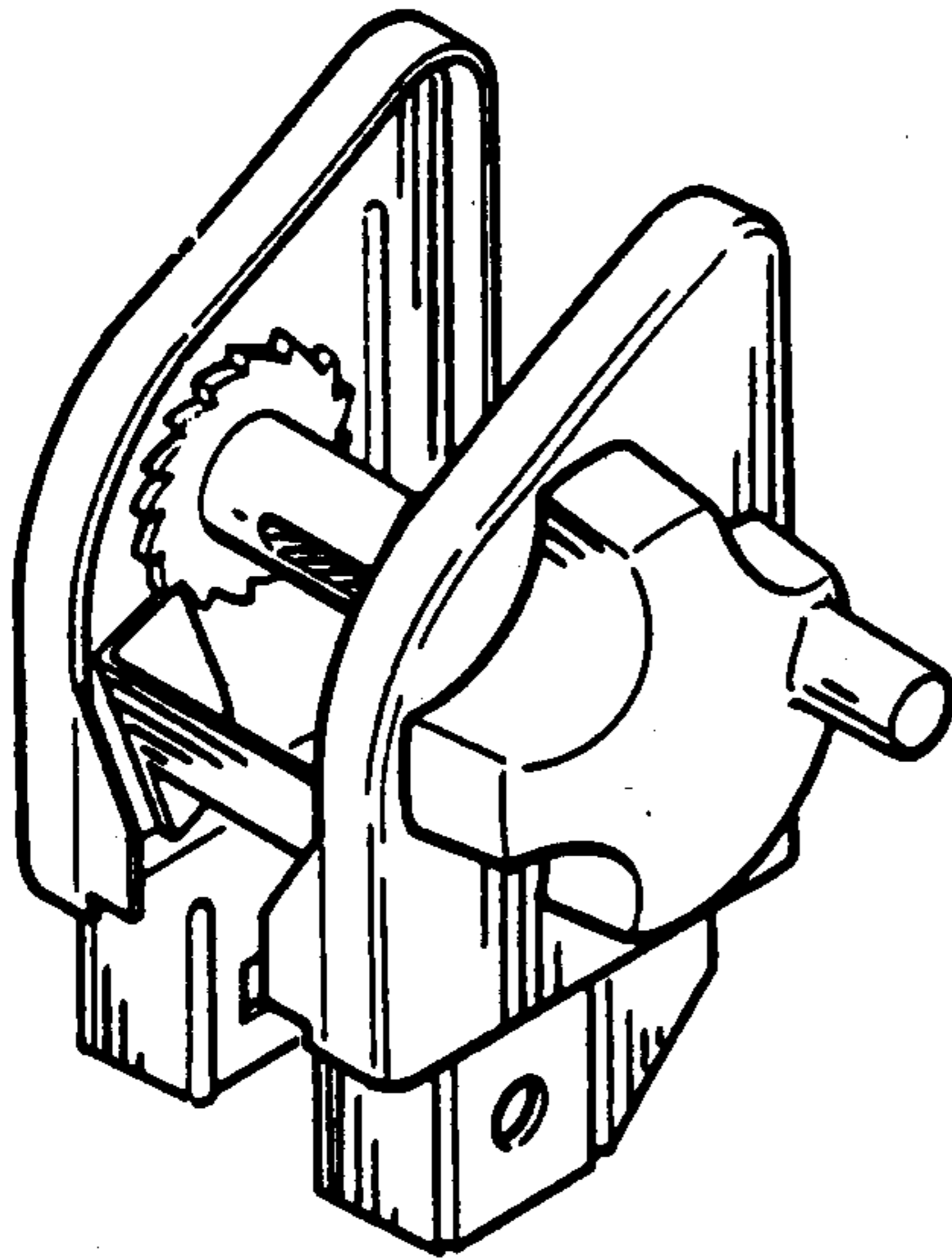
The ornamental design for a band stretcher for cartop carriers, as shown and described.

DESCRIPTION

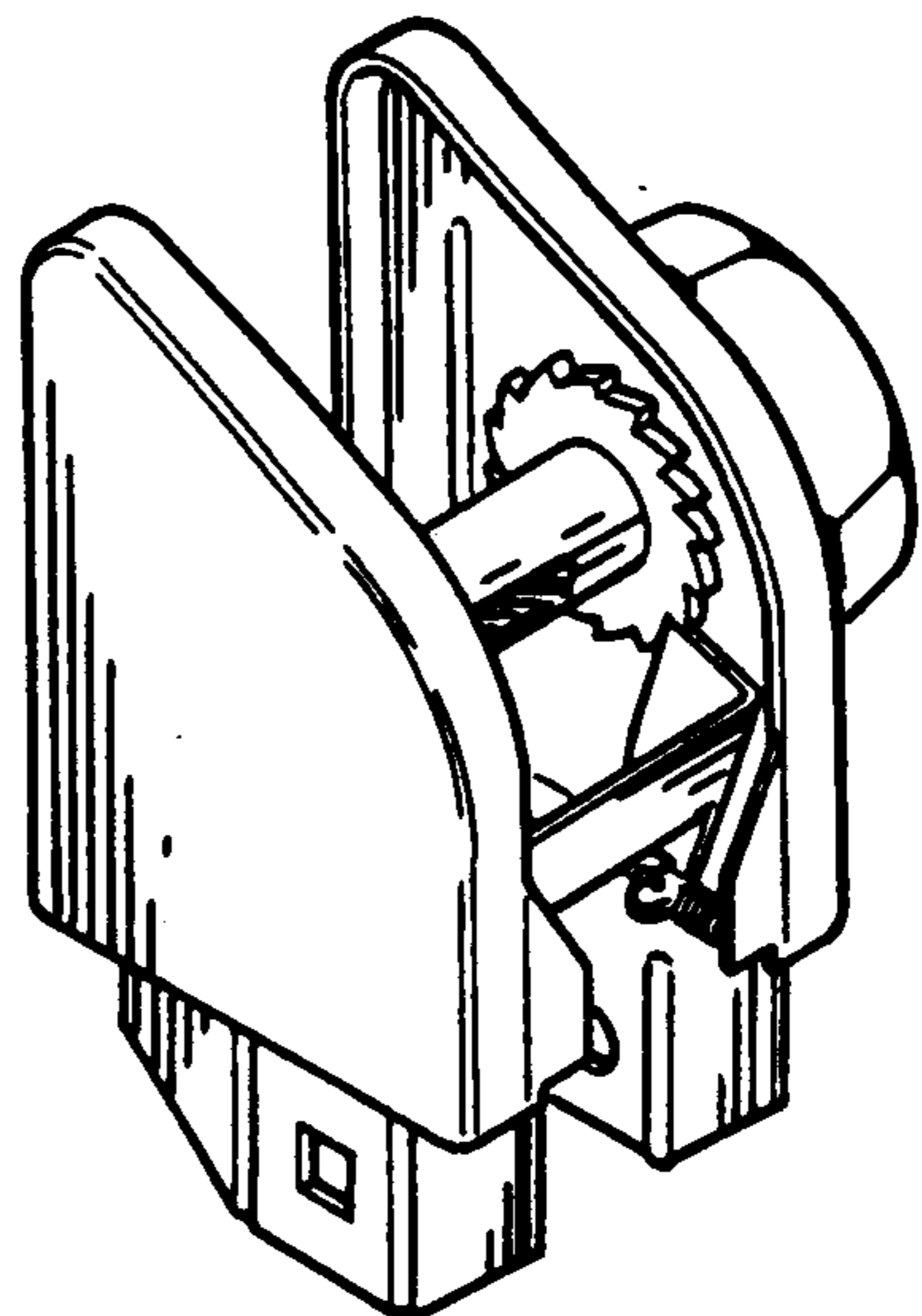
FIG. 1 is a front elevation view of a band stretcher for cartop carriers showing my new design; FIG. 2 is a left side elevation view thereof; FIG. 3 is a rear elevation view thereof; FIG. 4 is a right side elevation view thereof; FIG. 5 is a top plan view thereof; FIG. 6 is a bottom plan view thereof; FIG. 7 is a perspective view of the top, rear and right side thereof; and FIG. 8 is a perspective view of the top, front and right side thereof.







*FIG. 7*



*FIG. 8*