

[54] CHRISTMAS TREE STAND

[76] Inventor: Thomas A. Tobin, 434 Evergreen Sq., Port Hueneme, Calif. 93041

[**] Term: 14 Years

[21] Appl. No.: 338,761

[22] Filed: Apr. 17, 1989

[52] U.S. Cl. D11/130.1

[58] Field of Search D11/130.1; 47/405; 248/519 T

D. 278,891	5/1985	Levin	D11/130.1
D. 308,028	5/1990	Moriarty	D11/130.1
2,159,760	5/1939	Fitzgerald	D11/130.1
3,885,763	5/1975	Blom	47/40.5
4,571,882	2/1986	Capen	47/40.5

Primary Examiner—B. J. Bullock
Assistant Examiner—Dominic Simone
Attorney, Agent, or Firm—Roger A. Marrs

[57] CLAIM

The ornamental design for a christmas tree stand, as shown.

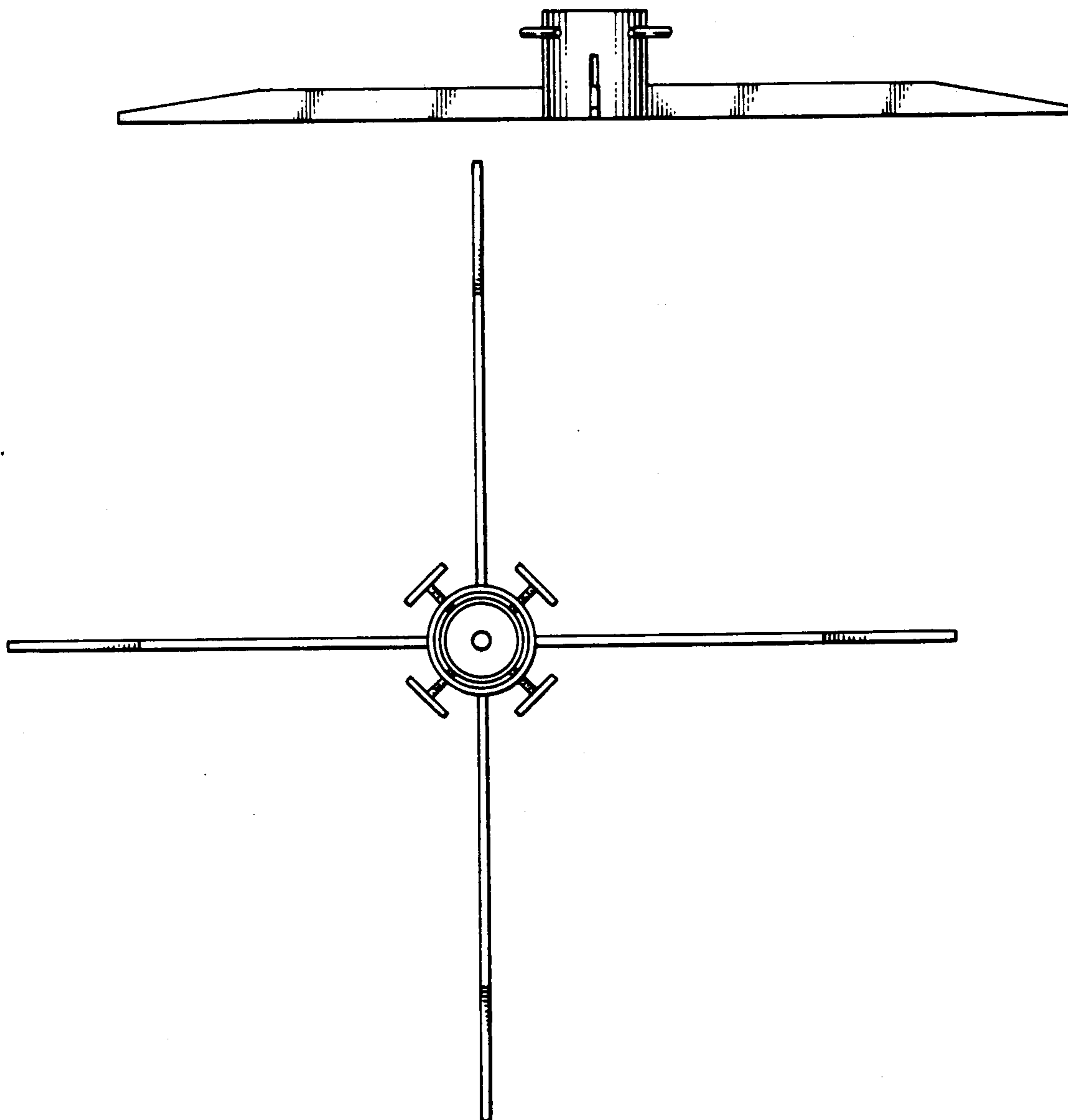
DESCRIPTION

FIG. 1 is a side elevational view of a christmas tree stand showing my new design, all sides being identical; FIG. 2 is a top plan view thereof; and FIG. 3 is a bottom view thereof.

[56] References Cited

U.S. PATENT DOCUMENTS

D. 212,297	9/1968	Tong	D11/130.1
D. 225,498	12/1972	Norton	D11/130.1



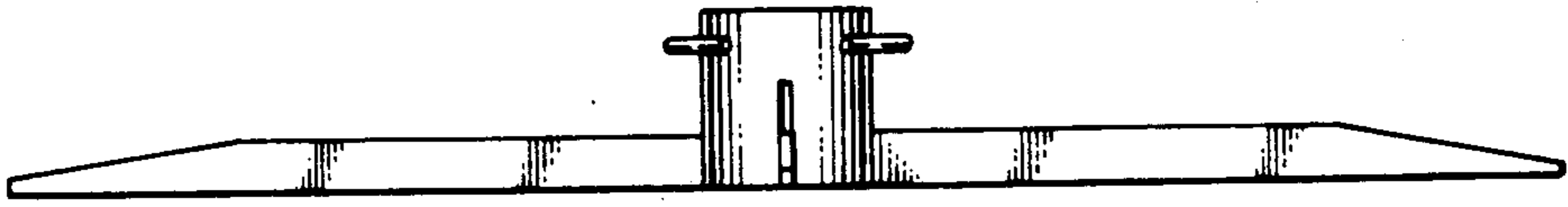


FIG. 1.

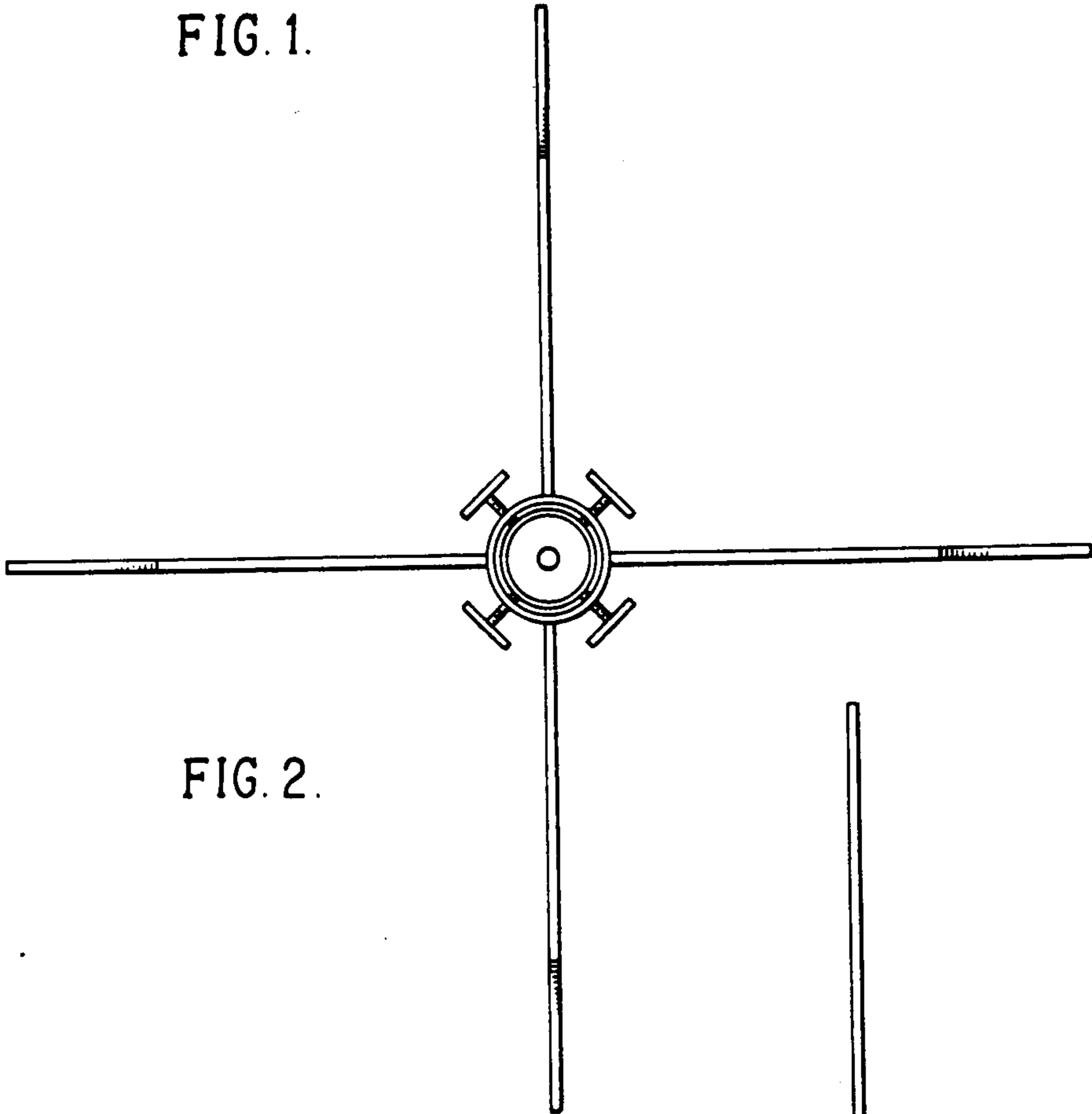


FIG. 2.

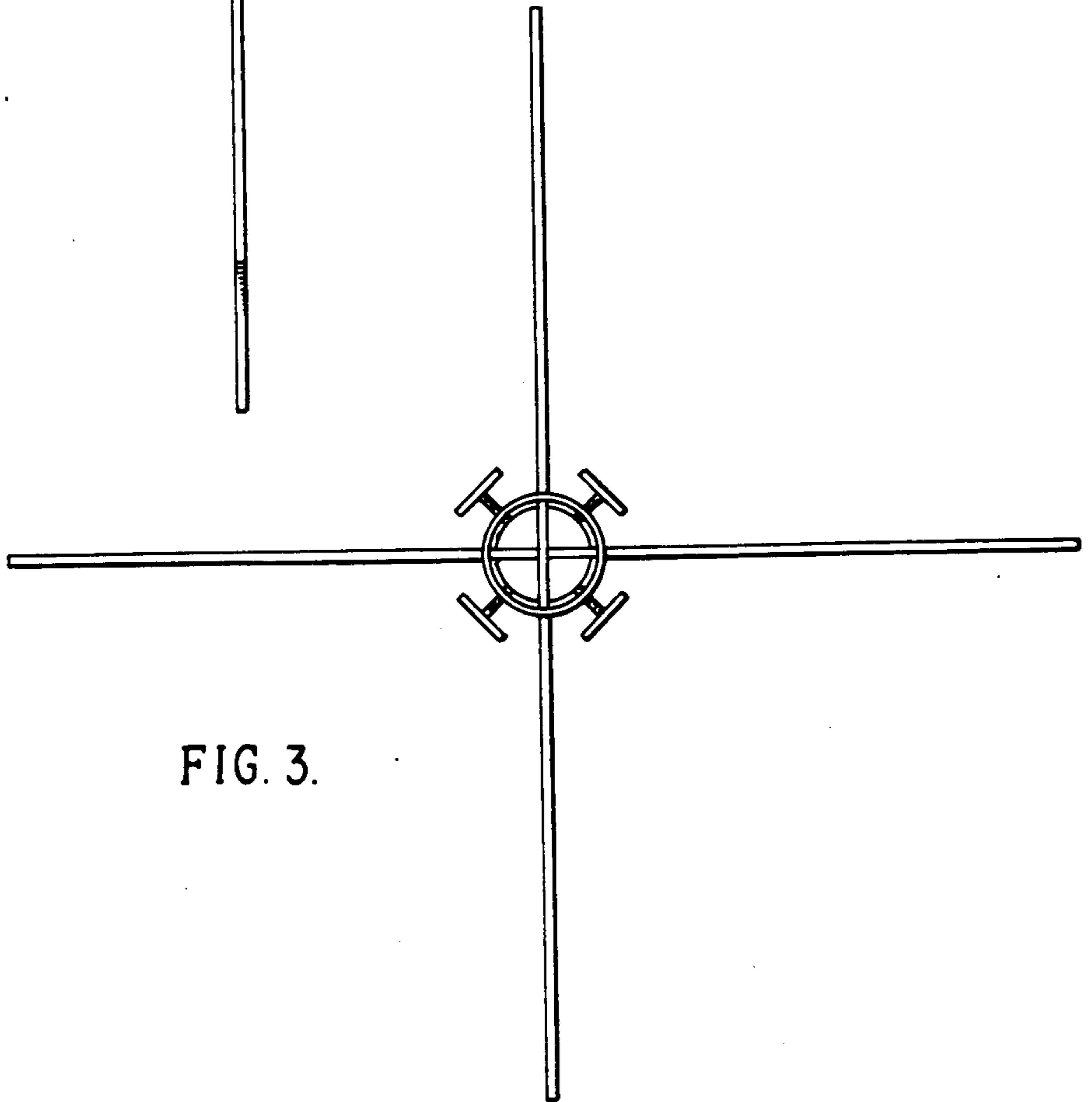


FIG. 3.