

[54] CALL BUTTON INDICATOR AND WALL PLATE FOR ELEVATORS

D. 197,278 1/1964 Stevenson D13/171
3,237,591 3/1966 Pichel D13/171

[75] Inventors: Richard R. Polacek, Simsbury; Jean Youla, Hartford, both of Conn.

Primary Examiner—Wallace R. Burke
Assistant Examiner—Marcus Jackson
Attorney, Agent, or Firm—William W. Jones

[73] Assignee: Otis Elevator Company, Farmington, Conn.

[57] CLAIM

[**] Term: 14 Years

The ornamental design for a call button indicator and wall plate for elevators, as shown and described.

[21] Appl. No.: 348,731

DESCRIPTION

[22] Filed: May 4, 1989

FIG. 1 is a front elevational view of a call button indicator and wall plate for elevators showing our new design, with the broken lines showing environment only and forming no part of the claimed design;

[52] U.S. Cl. D10/108

[58] Field of Search D10/104, 108, 121;
361/331, 332, 334, 336, 380, 381, 384, 390, 395;
D13/158, 171, 174; D8/350, 353; 220/241

FIG. 2 is a left side elevational view thereof, with the right side being a mirror image;

FIG. 3 is a top plan view thereof with the bottom being a mirror image; and

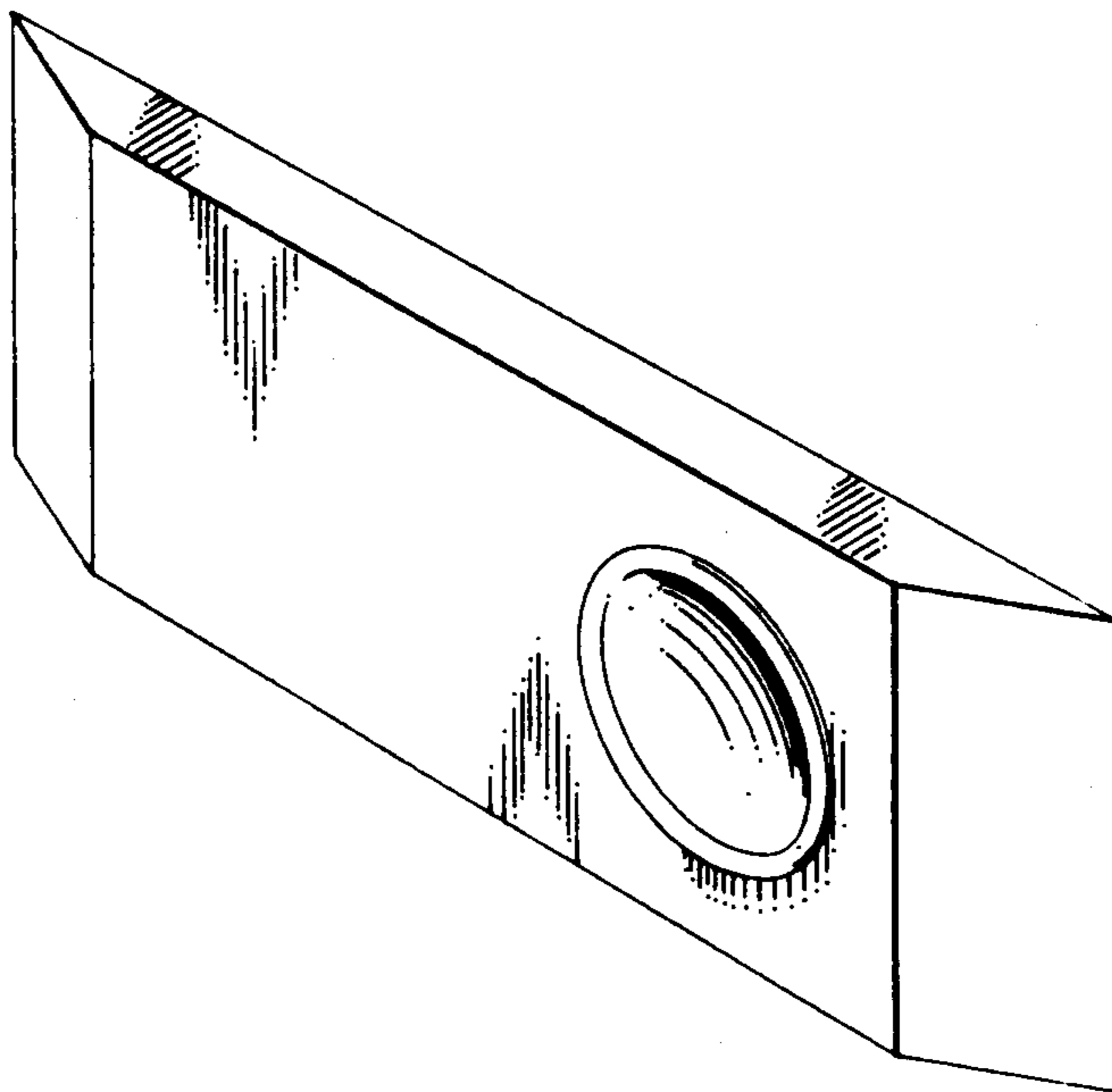
FIG. 4 is a perspective view thereof.

The broken lines shown in the drawings illustrate the wall environment on which the article is mounted and are not a part of the design.

[56] References Cited

U.S. PATENT DOCUMENTS

D. 121,273 7/1940 Davis D13/171
D. 185,631 7/1959 Dreyfuss D13/171
D. 186,225 9/1959 Sims D8/353



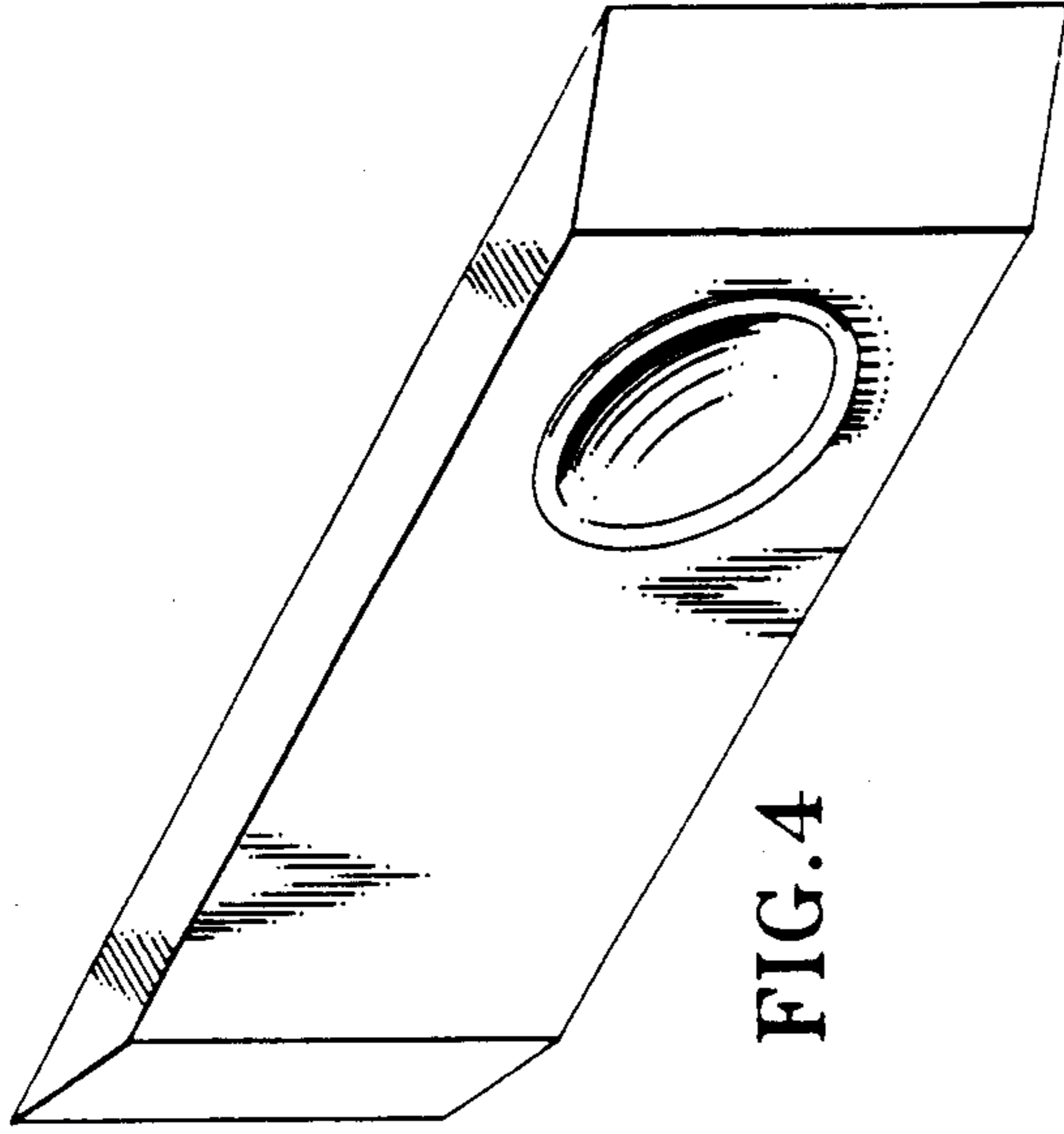


FIG. 4

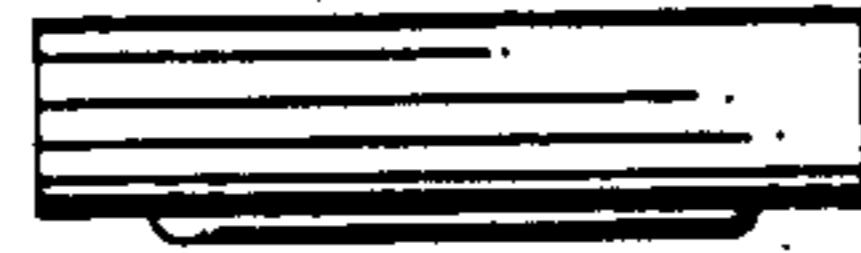


FIG. 3



FIG. 2

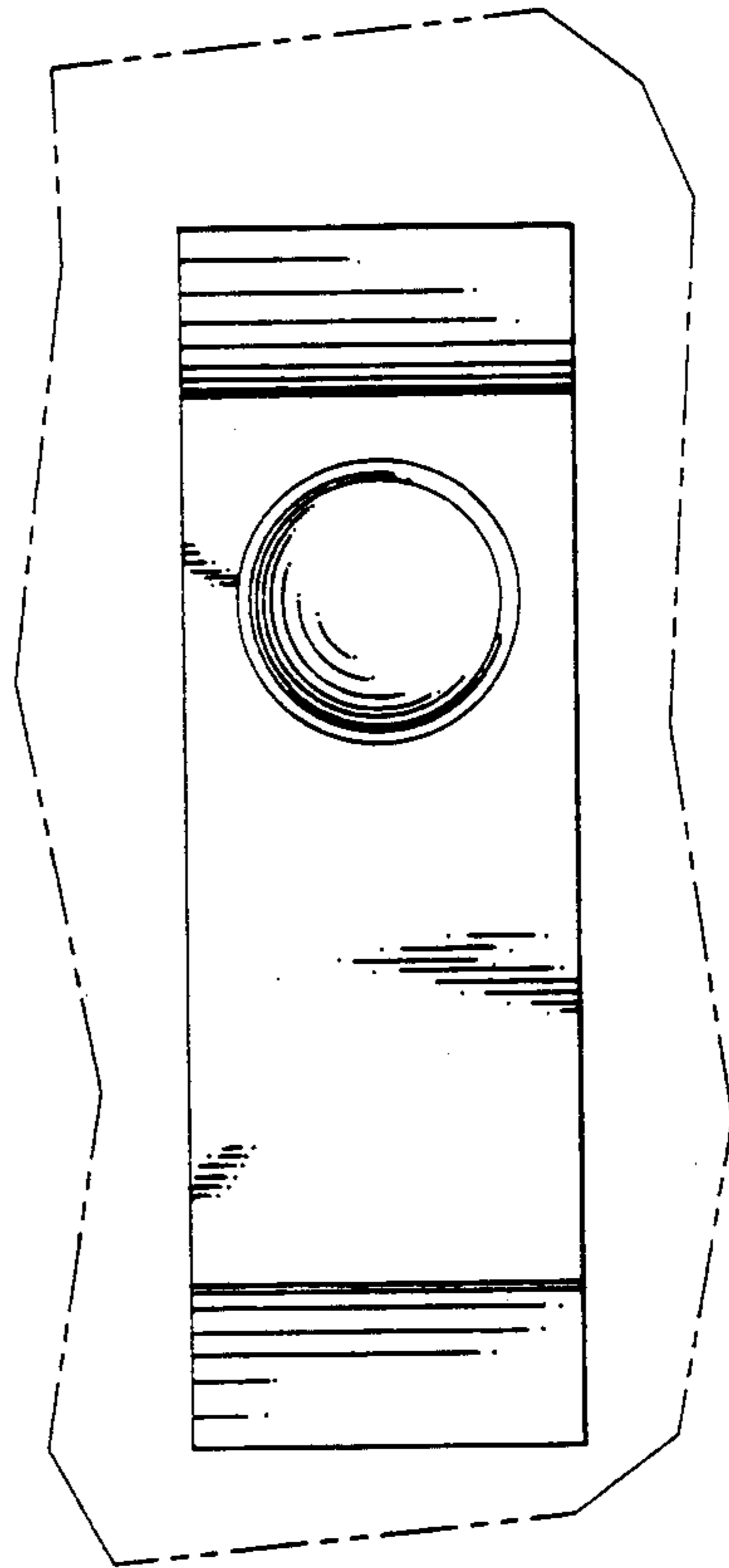


FIG. 1