

- [54] **LATCH OR LOCK HOUSING WITH FOLDABLE HANDLE**
- [75] **Inventors: Lee S. Weinerman, Medina; Joel T. Vargus, Middleburg Heights, both of Ohio**
- [73] **Assignee: The Eastern Company, Cleveland, Ohio**
- [**] **Term: 14 Years**
- [21] **Appl. No.: 305,010**
- [22] **Filed: Feb. 1, 1989**
- [52] **U.S. Cl. D8/331**
- [58] **Field of Search D8/330-331, D8/336, 338-339, 341, 302, 308; 70/77-78, 80-81, 84, 89-91, 95-96, 99-100, 158-159, 448, 450, 452; 292/163, DIG. 11, DIG. 12, DIG. 23, DIG. 32**

[56] **References Cited**

U.S. PATENT DOCUMENTS

D. 265,965	8/1982	Davis et al.	D8/302
D. 270,328	8/1983	Davis et al.	D8/302
D. 271,562	11/1983	Weinerman	D8/338
D. 292,482	10/1987	Weinerman et al.	D8/302
D. 312,769	12/1990	Bisbing	D8/388
767,567	8/1904	Keil .	
824,027	6/1906	Keeler .	
1,035,073	8/1912	Augenbraun	70/150
2,475,951	7/1949	Floraday	70/139
2,511,253	6/1950	Fischer	292/129
2,530,330	11/1950	Groeger	292/29

2,540,686	2/1951	Milburn	292/124
3,044,287	7/1962	Pelcin	70/99
3,751,953	8/1973	Newman	70/381
3,958,308	5/1976	Gooding	24/221
4,312,203	1/1982	Davis	70/472
4,457,146	7/1984	Weinerman	70/100
4,511,166	4/1985	Weinerman	292/29
4,565,080	1/1986	Kincaid et al.	70/215
4,570,467	2/1986	Greco	70/99
4,768,360	9/1988	Foshee	70/100
4,912,951	4/1990	Weinerman et al.	70/99

OTHER PUBLICATIONS

Chicago Lock Co., Catalogue #172-A (1964) p. 45-No. 1745, Switch Box Lock.

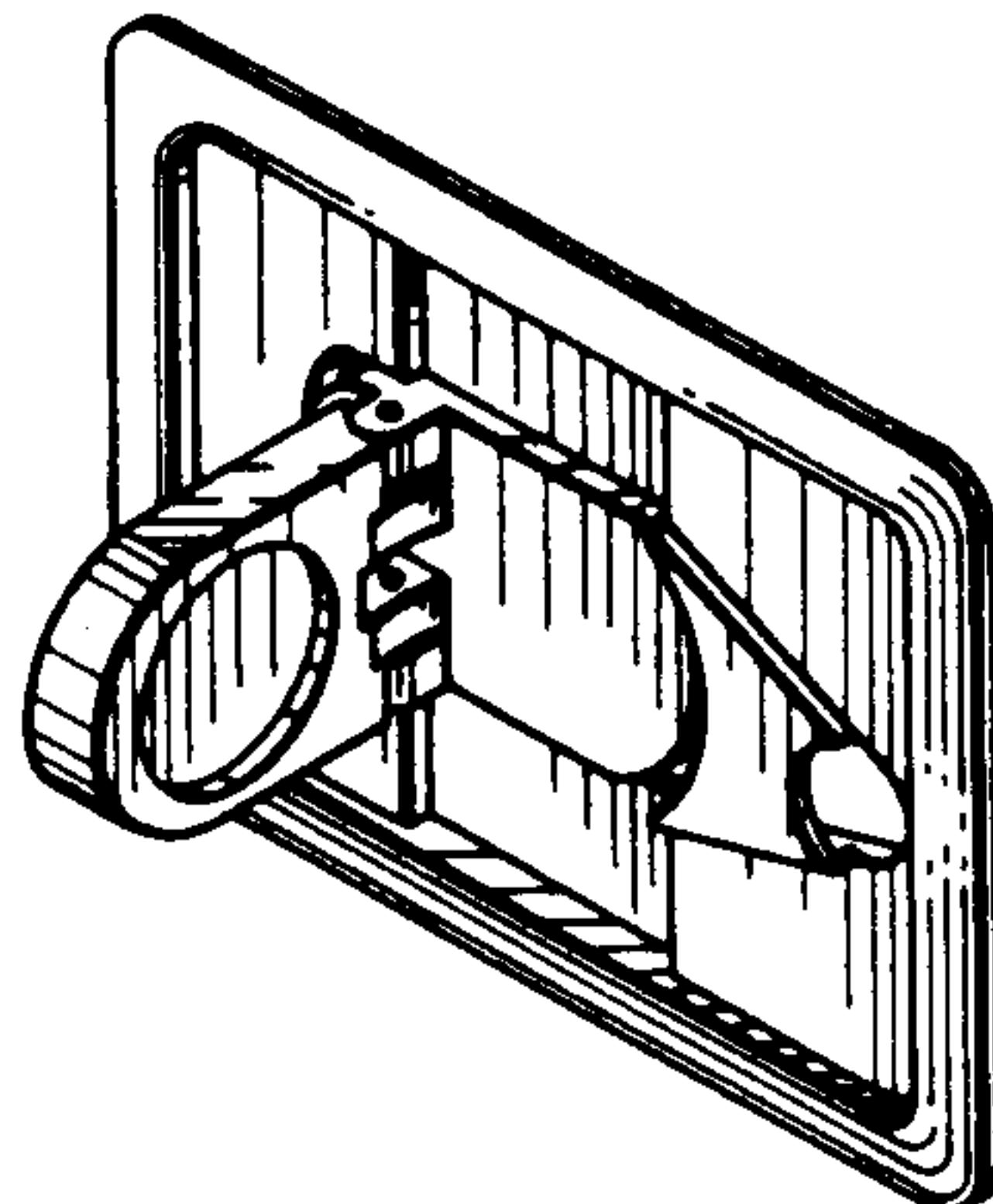
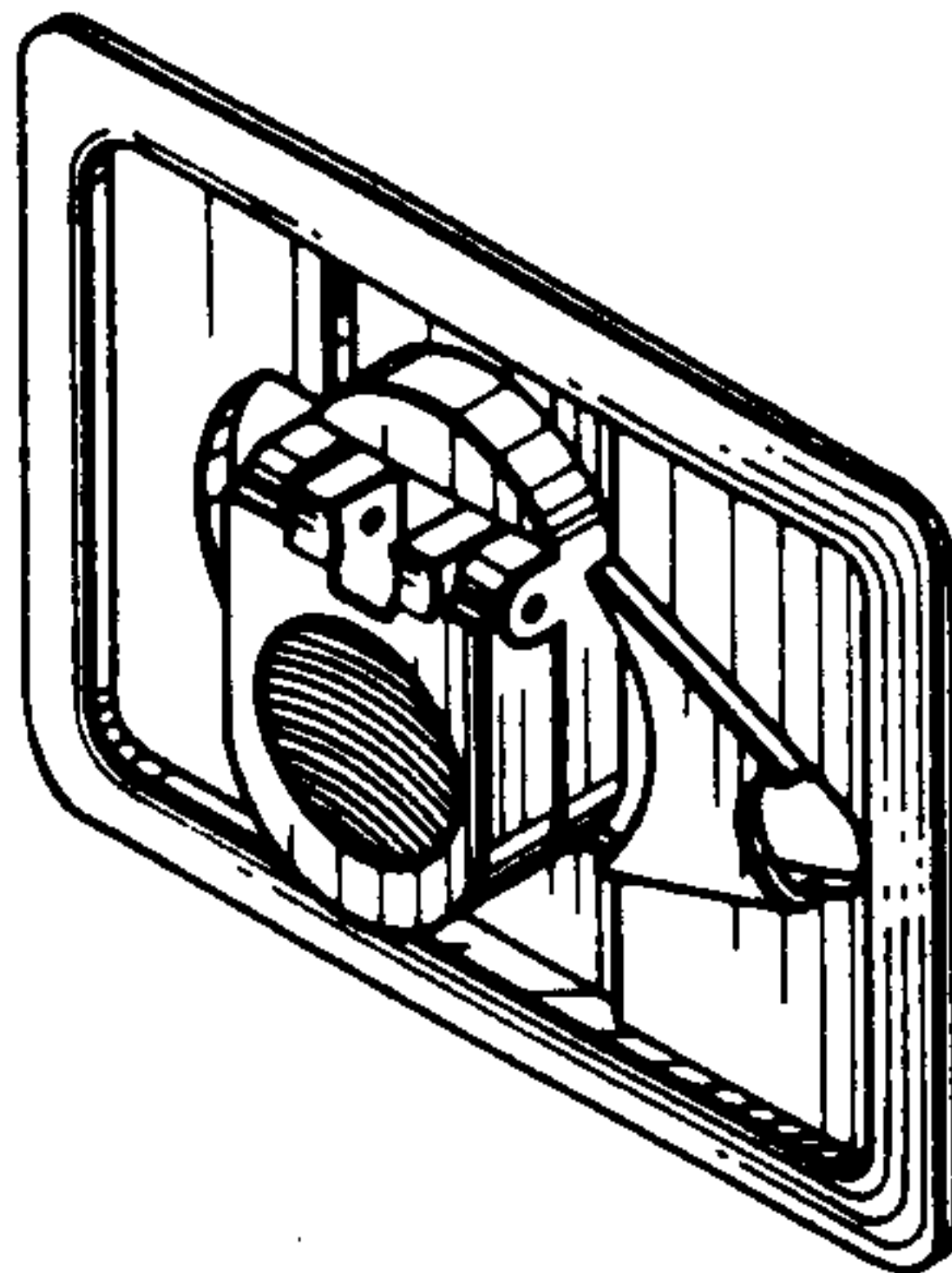
Primary Examiner—Wallace R. Burke
Assistant Examiner—Brian N. Vinson
Attorney, Agent, or Firm—David A. Burge

[57] **CLAIM**

The ornamental design for a latch or lock housing with foldable handle, as shown and described.

DESCRIPTION

FIG. 1 is a top, front, and side perspective view of a latch or locking housing with foldable handle showing our new design;
 FIG. 2 is a top, front, and side perspective view thereof, with the handle shown rotated to an alternative position;
 FIG. 3 is a top, front, and side perspective view thereof, with the handle shown both rotated to an alternative position and extended; and
 FIG. 4 is a top, rear, and side perspective view thereof.



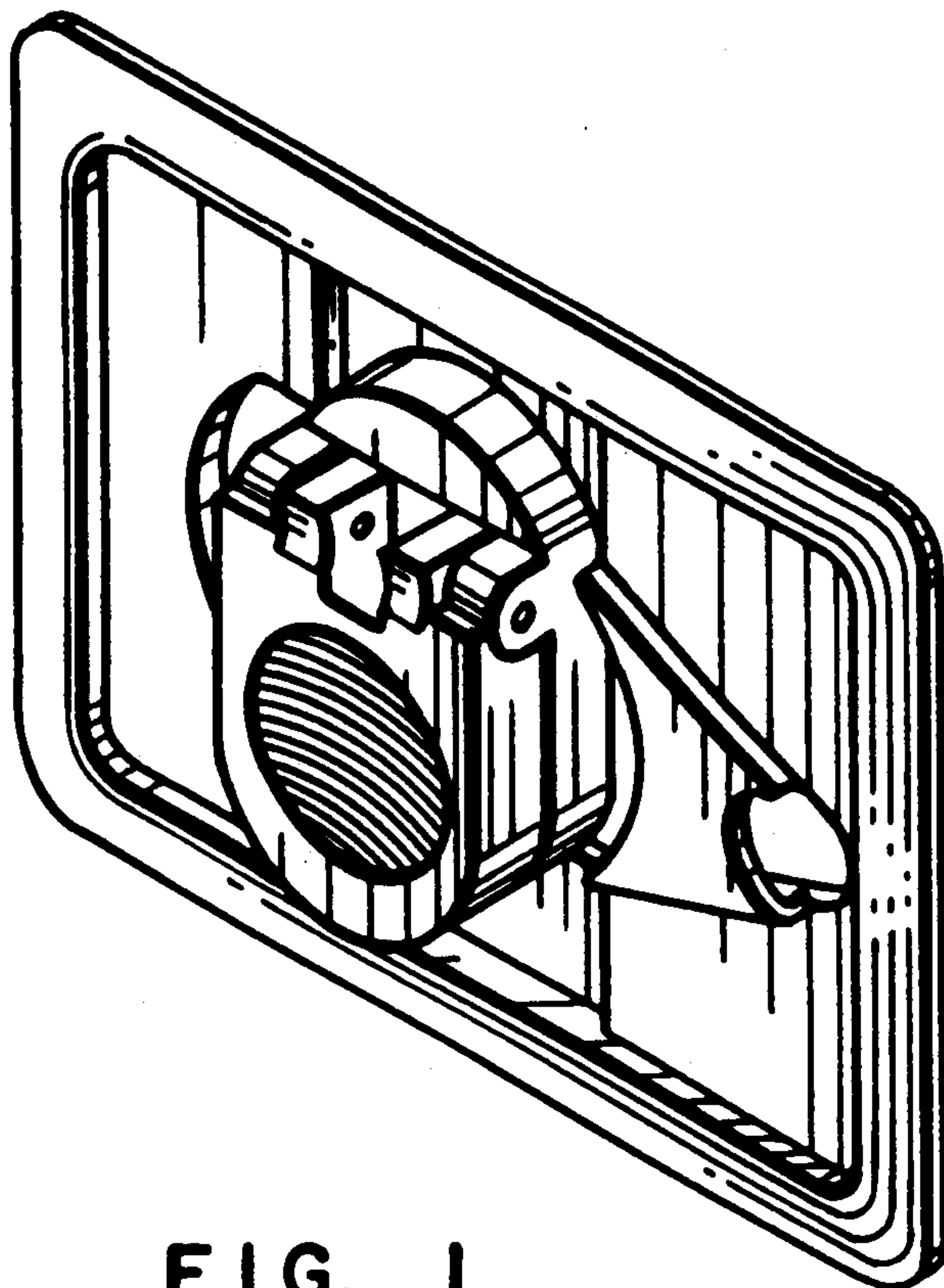


FIG. 1

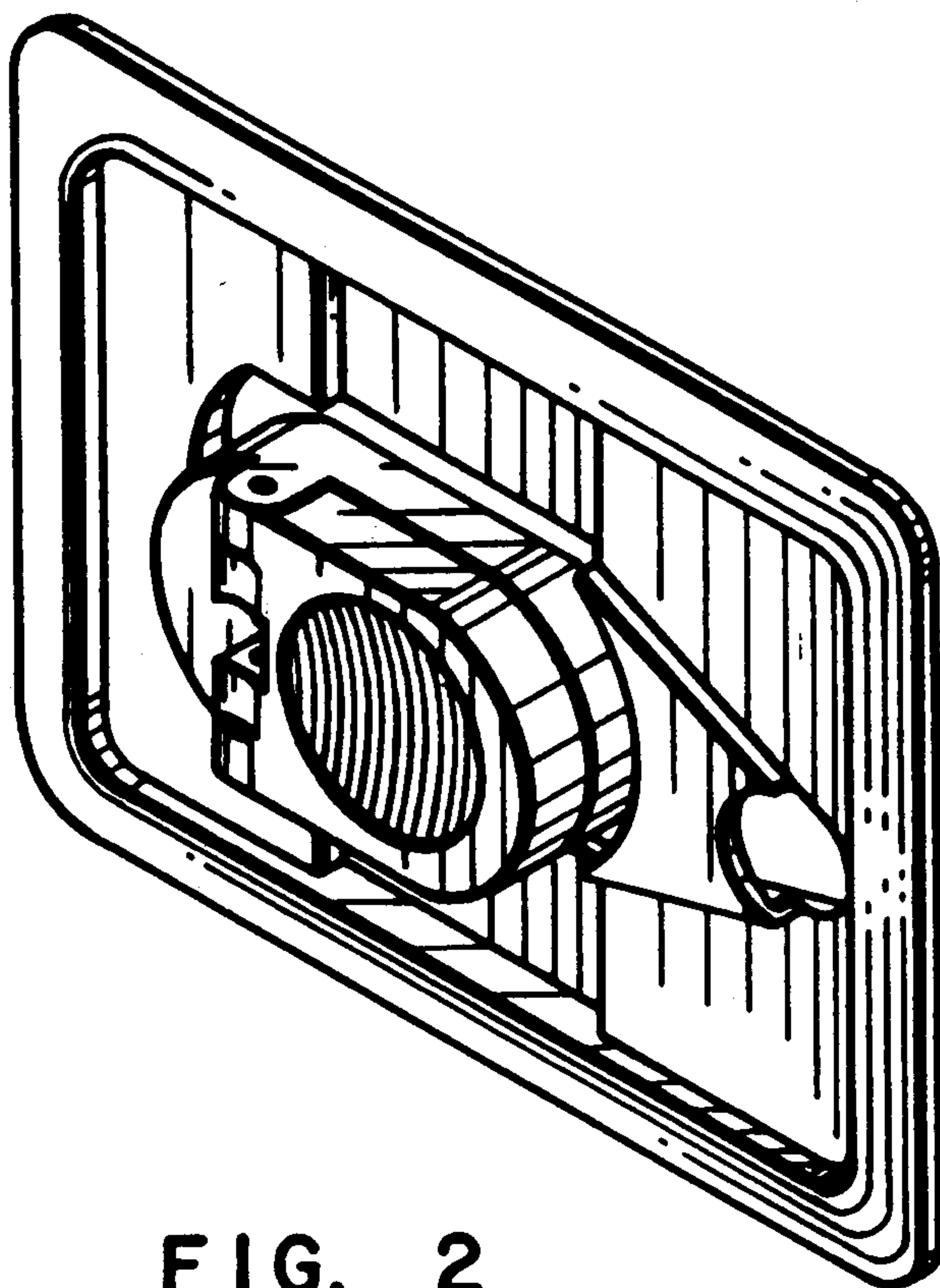


FIG. 2

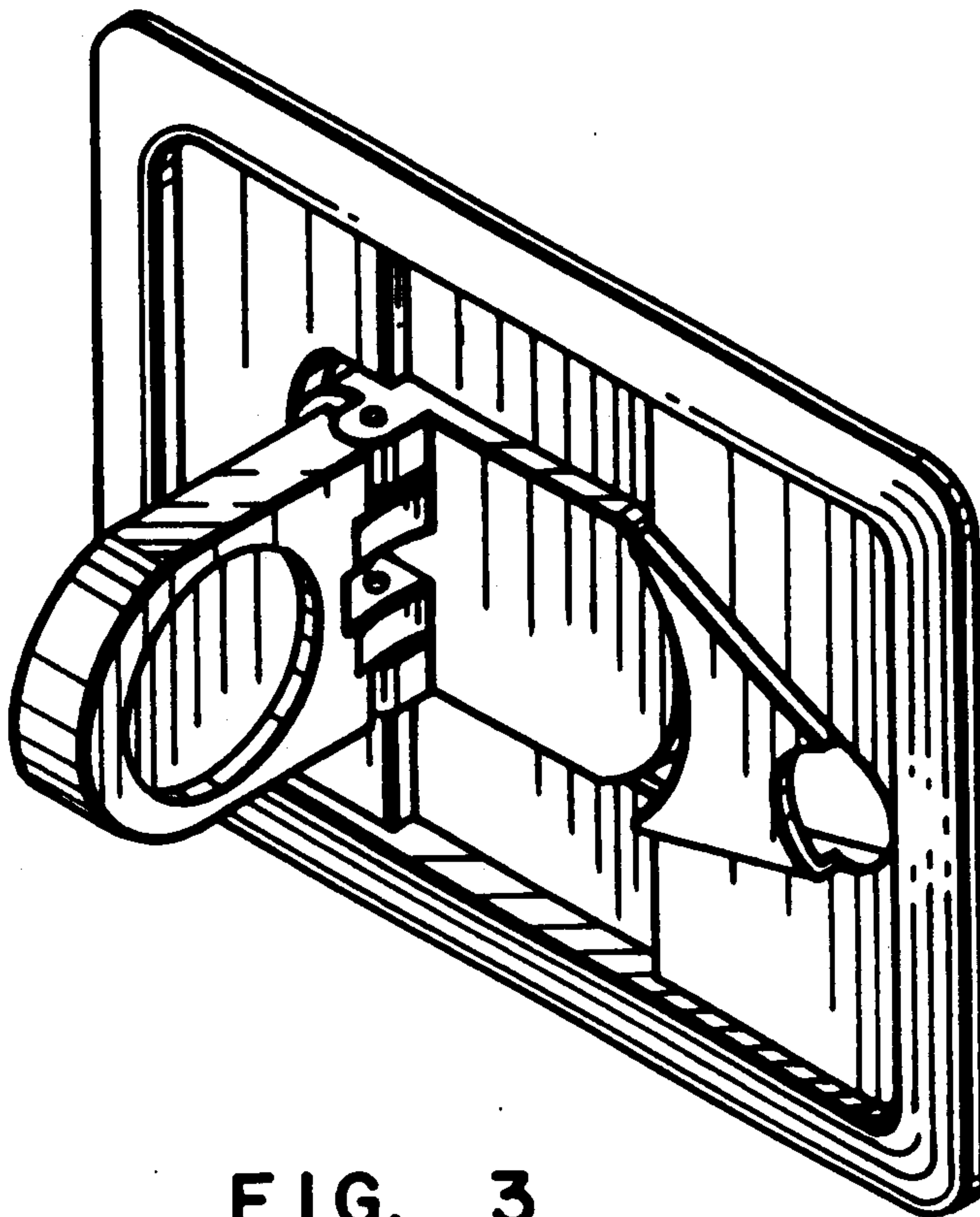


FIG. 3

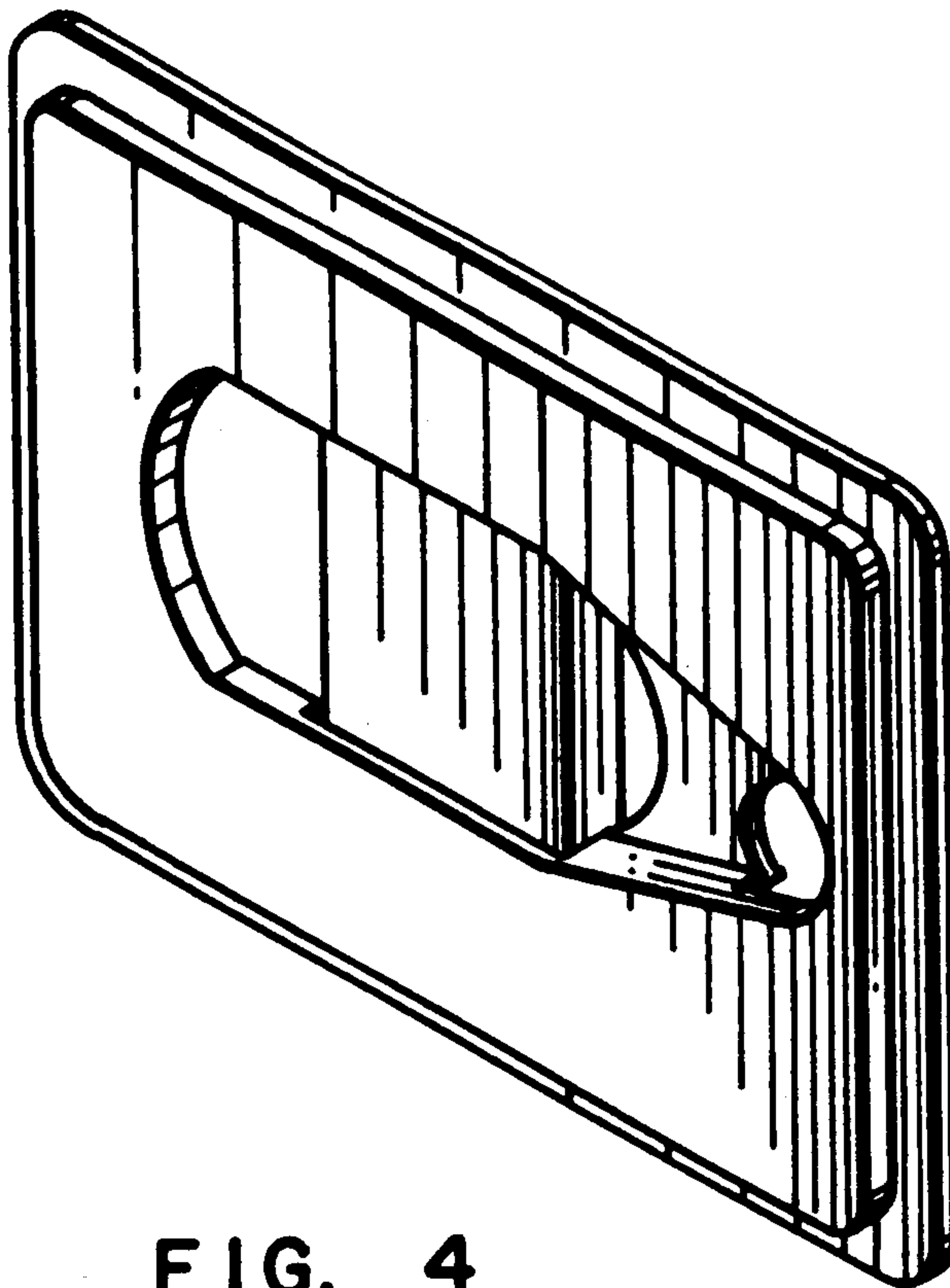


FIG. 4