

- [54] ARTIFICIAL FLOWER STEM MOUNTING MACHINE
- [76] Inventors: Floyd L. Hill, P.O. Box 633, Arab, Ala. 35016; Billy O'Neal, Box 122, Paint Rock, Ala. 35764
- [**] Term: 14 Years
- [21] Appl. No.: 245,390
- [22] Filed: Sep. 16, 1988
- [52] U.S. Cl. D8/61
- [58] Field of Search D8/61; 156/540, 93, 156/57, 83; 133/10, 87; 148/36, 21, 11.5 R; 425/91; 29/24, DIG. 68

- [56] **References Cited**
- U.S. PATENT DOCUMENTS**
- D. 272,512 2/1984 Sakai et al. D8/61
- D. 286,852 4/1986 Ditmanson D8/61

D. 303,757 10/1989 McClellan D8/61

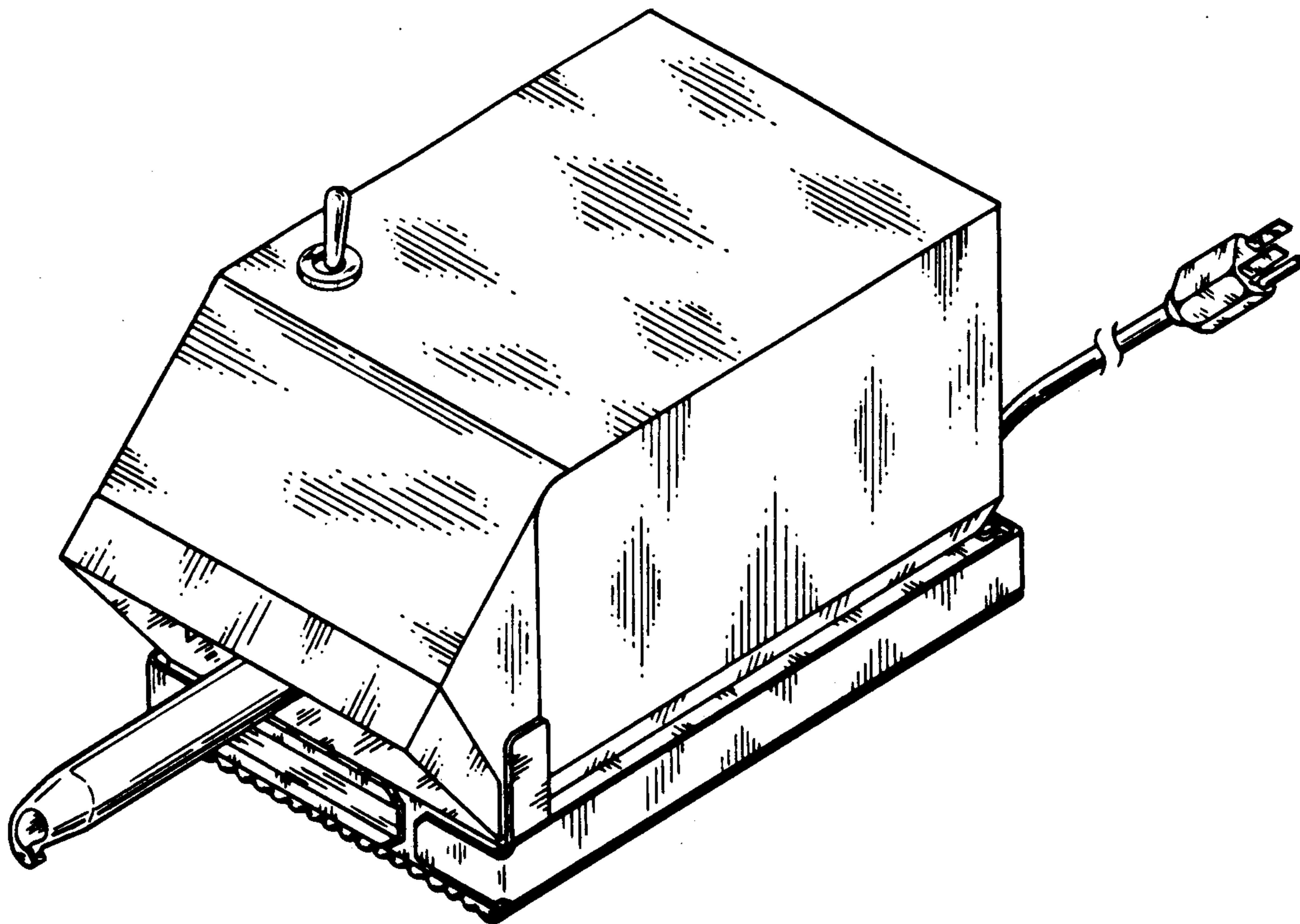
Primary Examiner—Nelson C. Holtje
Assistant Examiner—J. H. Musgrove
Attorney, Agent, or Firm—Phillips & Beumer

[57] **CLAIM**

The ornamental design for an artificial flower stem mounting machine, as shown and described.

DESCRIPTION

FIG. 1 is a right front perspective view of an artificial flower stem mounting machine showing our new design, the opposite side being a mirror image; FIG. 2 is a rear elevational view thereof; FIG. 3 is a bottom plan view; FIG. 4 is a right side elevational view of the front section of the mandrel tip the housing has been omitted for ease of illustration. FIG. 5 is a left side elevational view of FIG. 4; and FIG. 6 is a front elevational view of FIG. 4.



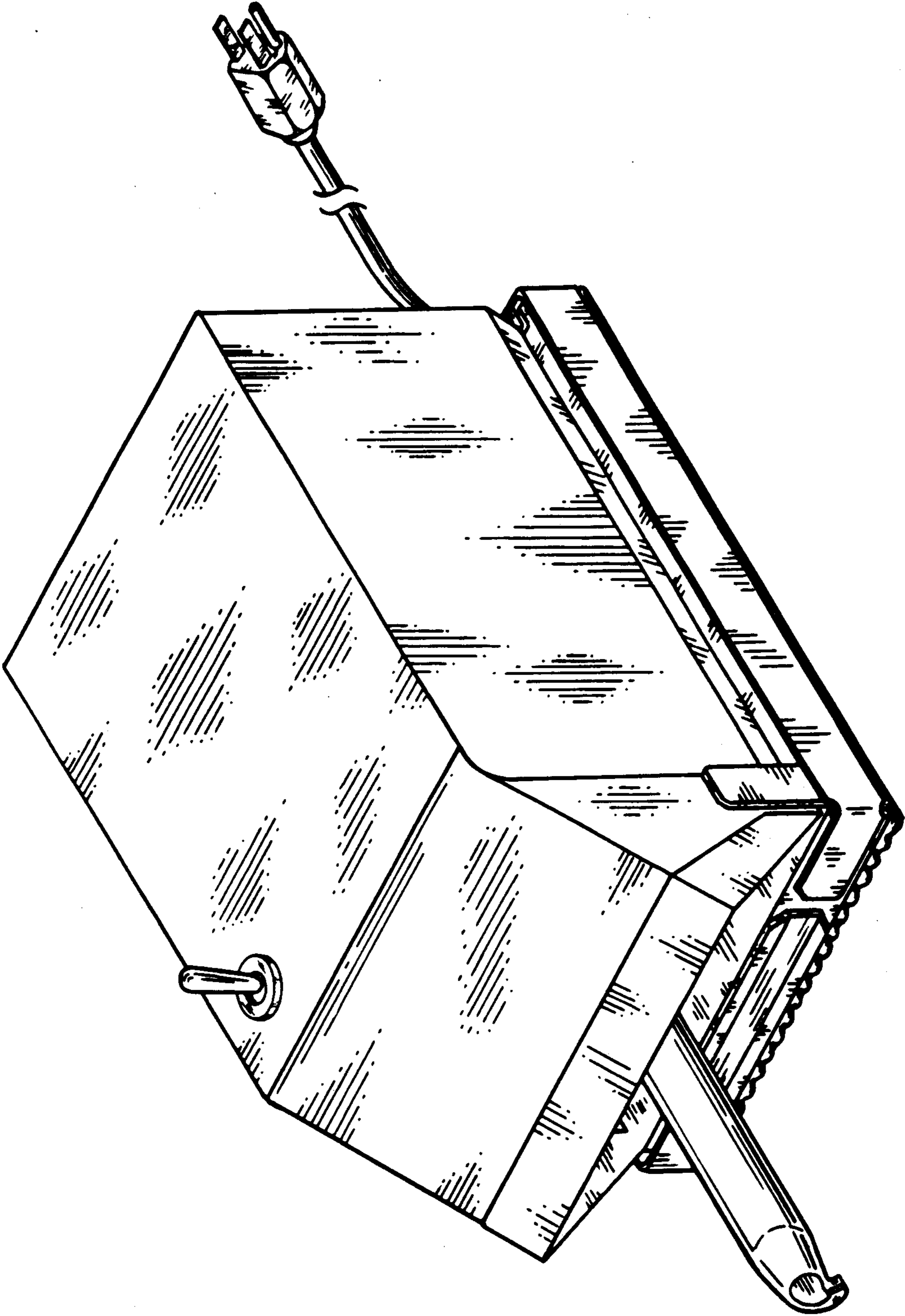


FIG. 1

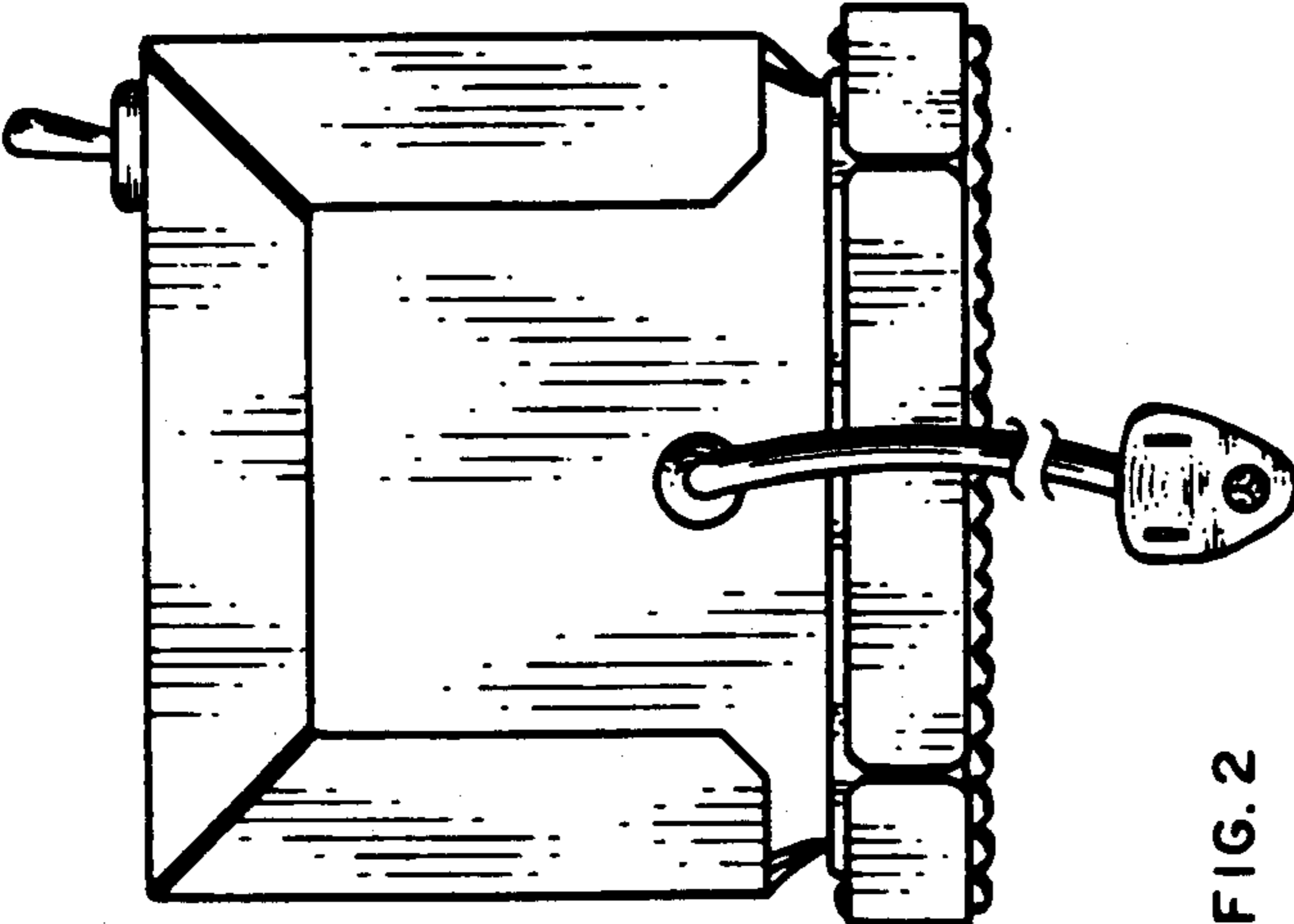


FIG. 2

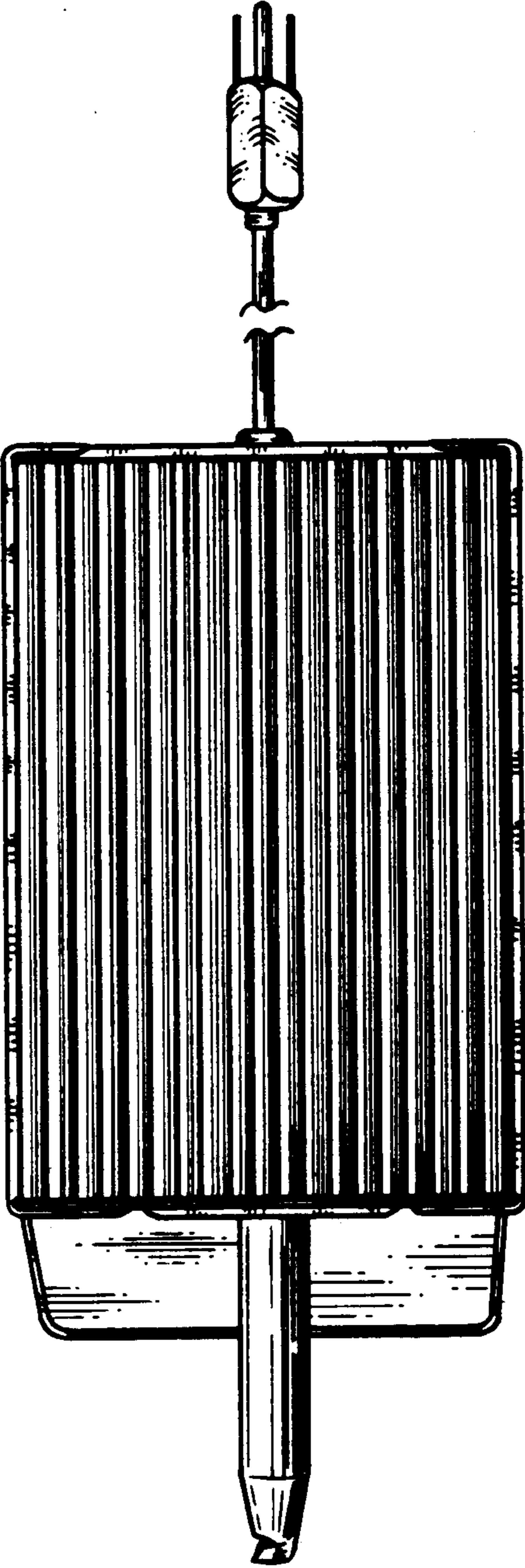


FIG. 3

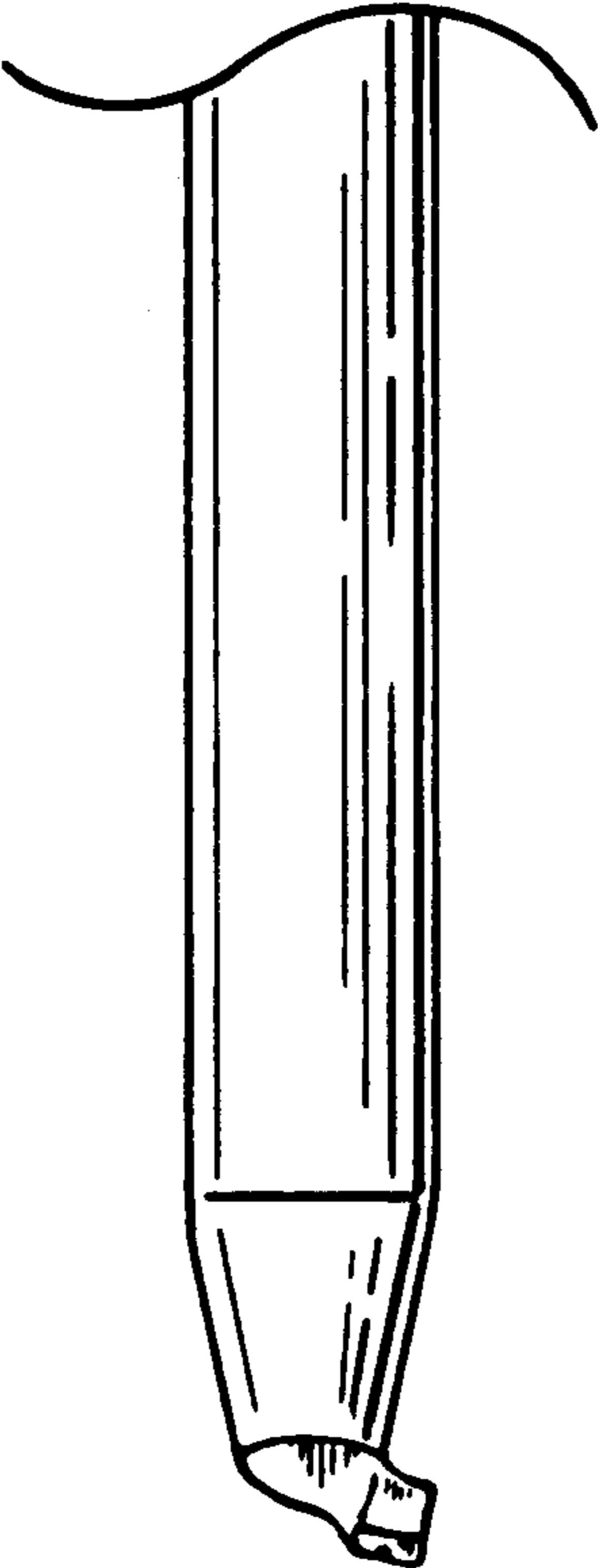


FIG. 4

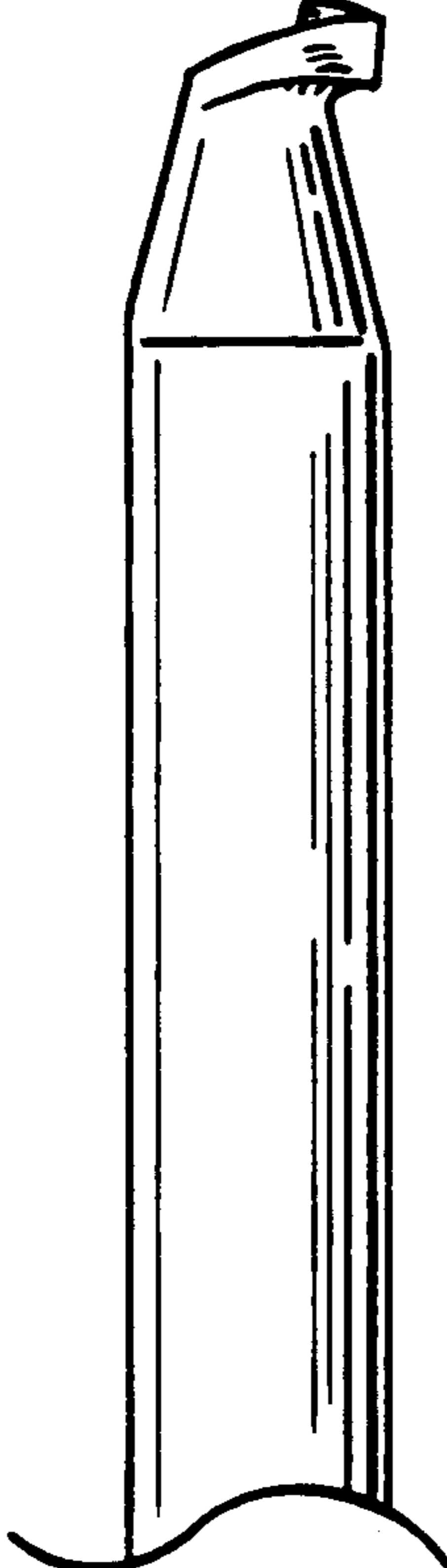


FIG. 5



FIG. 6