

[54] ELECTRICALLY POWERED CAN OPENER WITH KNIFE SHARPENER

[75] Inventors: Sally A. Hattle, Wilmington, Del.; Don R. McCloskey, Stratford, Conn.; Gary van Deursen, Upper Saddle River, N.J.

[73] Assignee: Black & Decker Inc., Newark, Del.

[\*\*] Term: 14 Years

[21] Appl. No.: 344,144

[22] Filed: Apr. 26, 1989

[52] U.S. Cl. .... D8/35; D8/37

[58] Field of Search ..... D8/33, 34, 36, 37, 35; 30/400, 408, 410, 416, 420, 424-426

[56] References Cited

U.S. PATENT DOCUMENTS

D. 288,403	2/1987	Steinkamp et al. ....	D8/36
D. 300,201	3/1989	Tsuji .....	D8/37
D. 309,086	7/1990	Van Asten .....	D8/36
4,663,849	5/1987	Nickelson .....	30/416 X

Primary Examiner—Terry A. Pfeffer  
Attorney, Agent, or Firm—Barry E. Deutsch

[57] CLAIM

The ornamental design for an electrically powered can opener with knife sharpener, as shown.

DESCRIPTION

FIG. 1 is a top, front, right side perspective view of an electrically powered can opener with knife sharpener showing our new design;

FIG. 2 is a front elevational view thereof;

FIG. 3 is a right side elevational view thereof;

FIG. 4 is a bottom plan view thereof;

FIG. 5 is a left side elevational view thereof; and

FIG. 6 is a rear elevational view thereof.

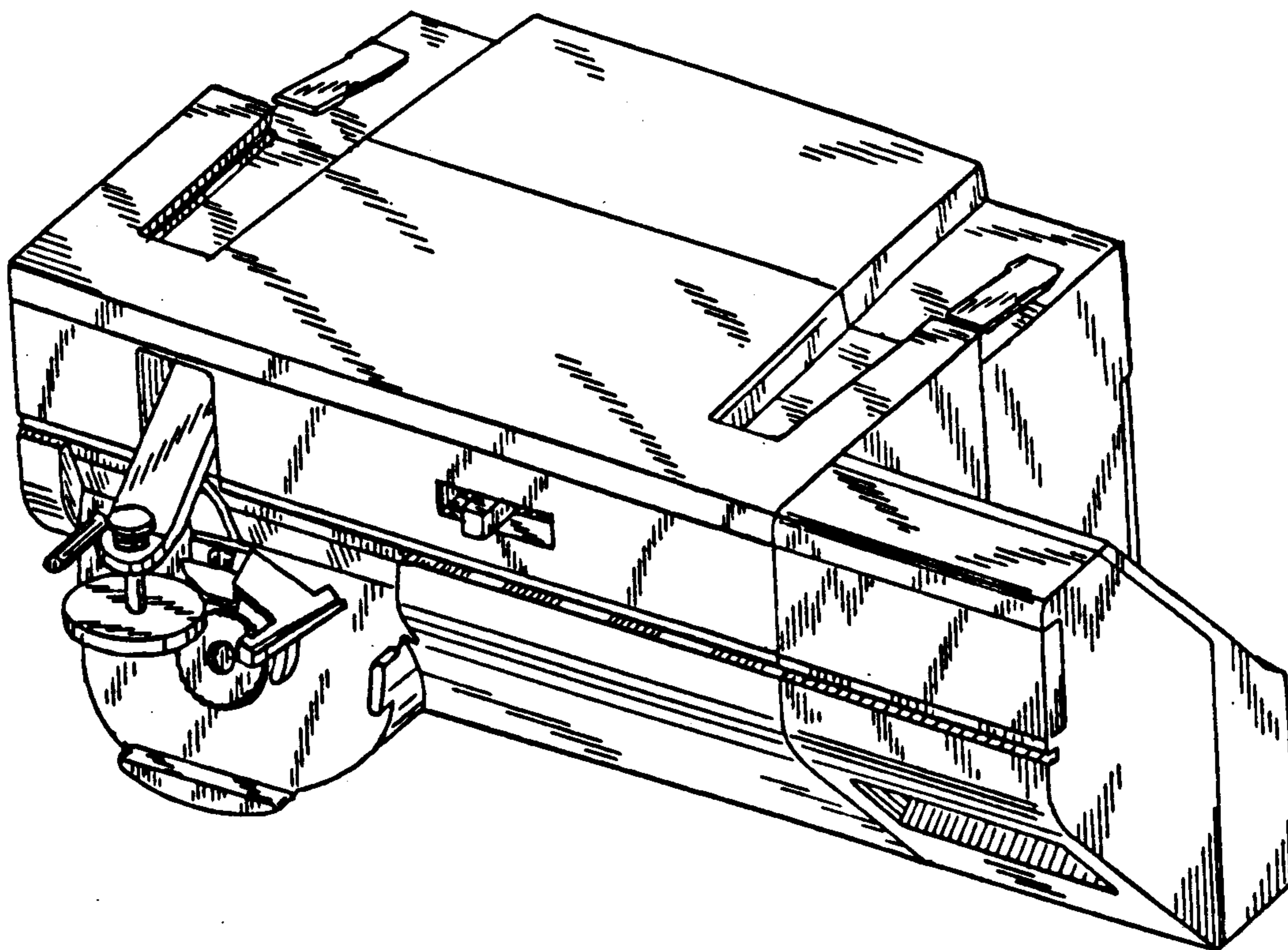


FIG. 1

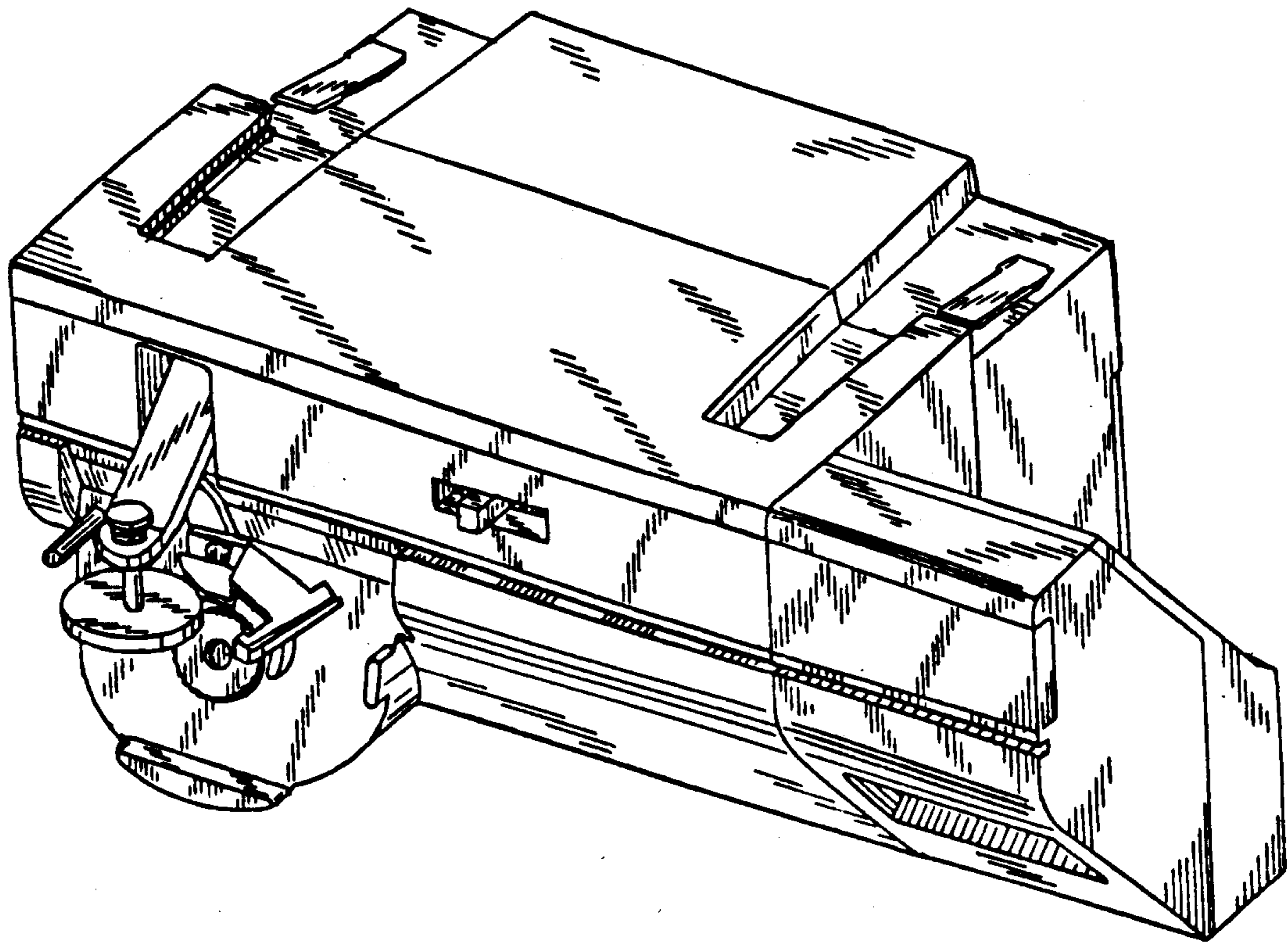


FIG. 2

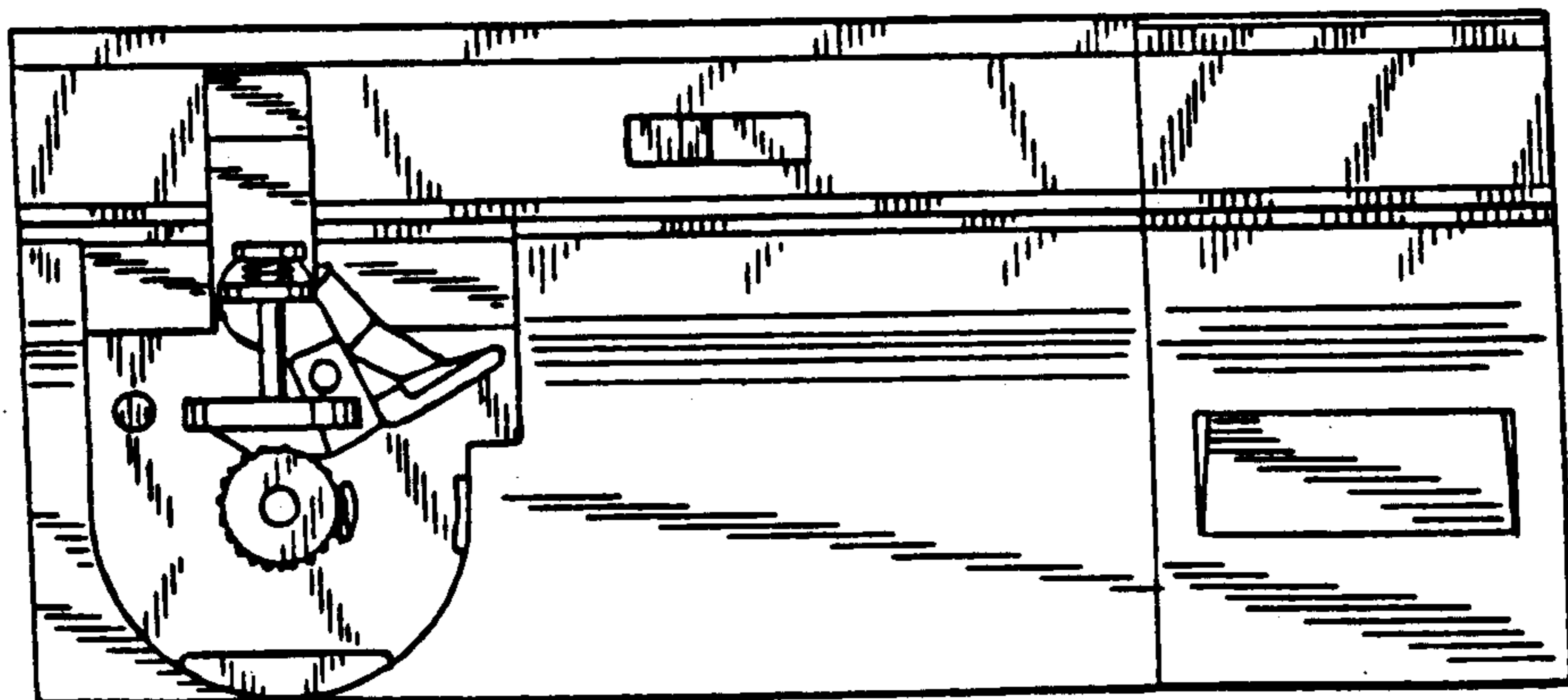


FIG. 3

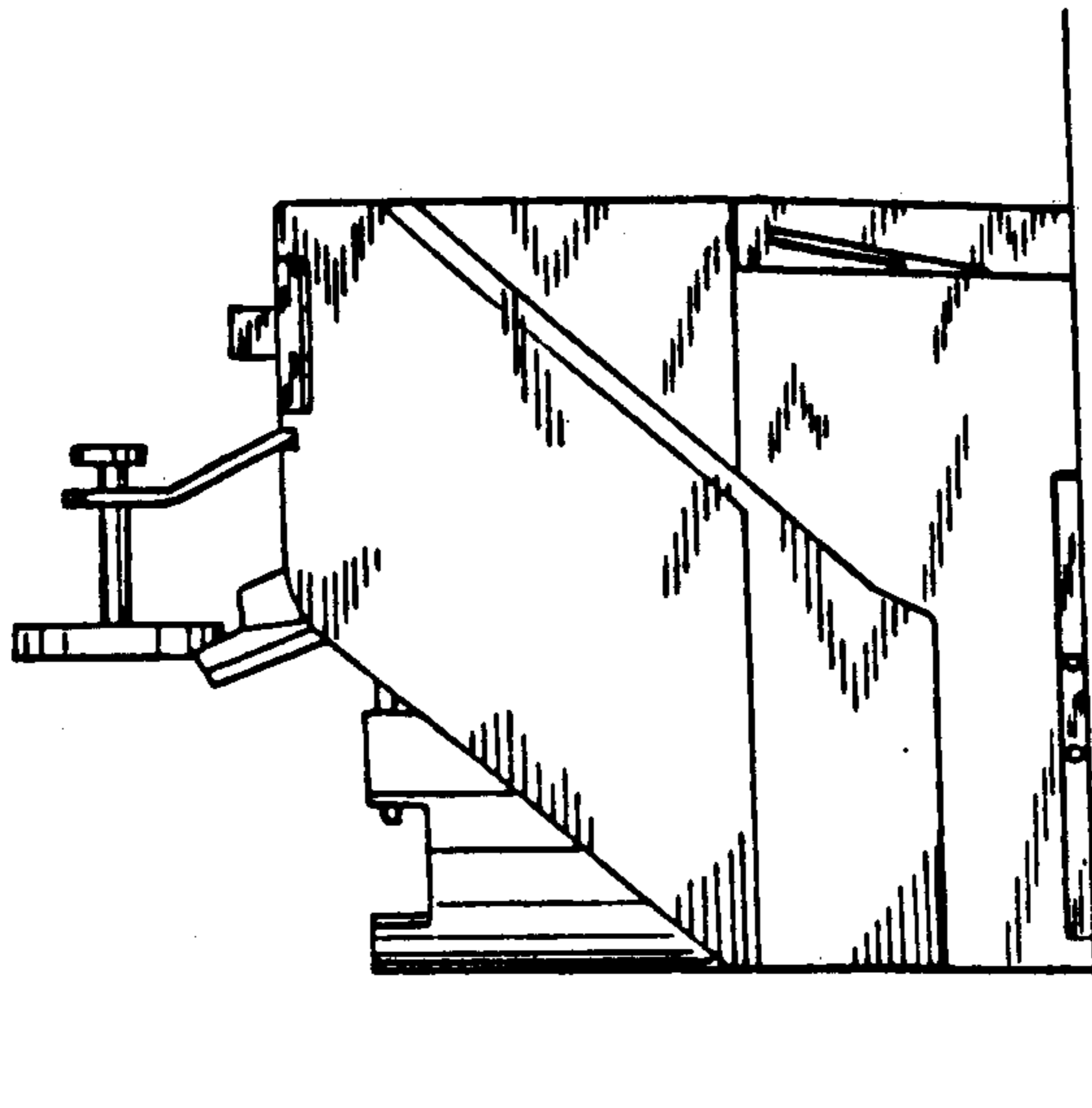


FIG. 4

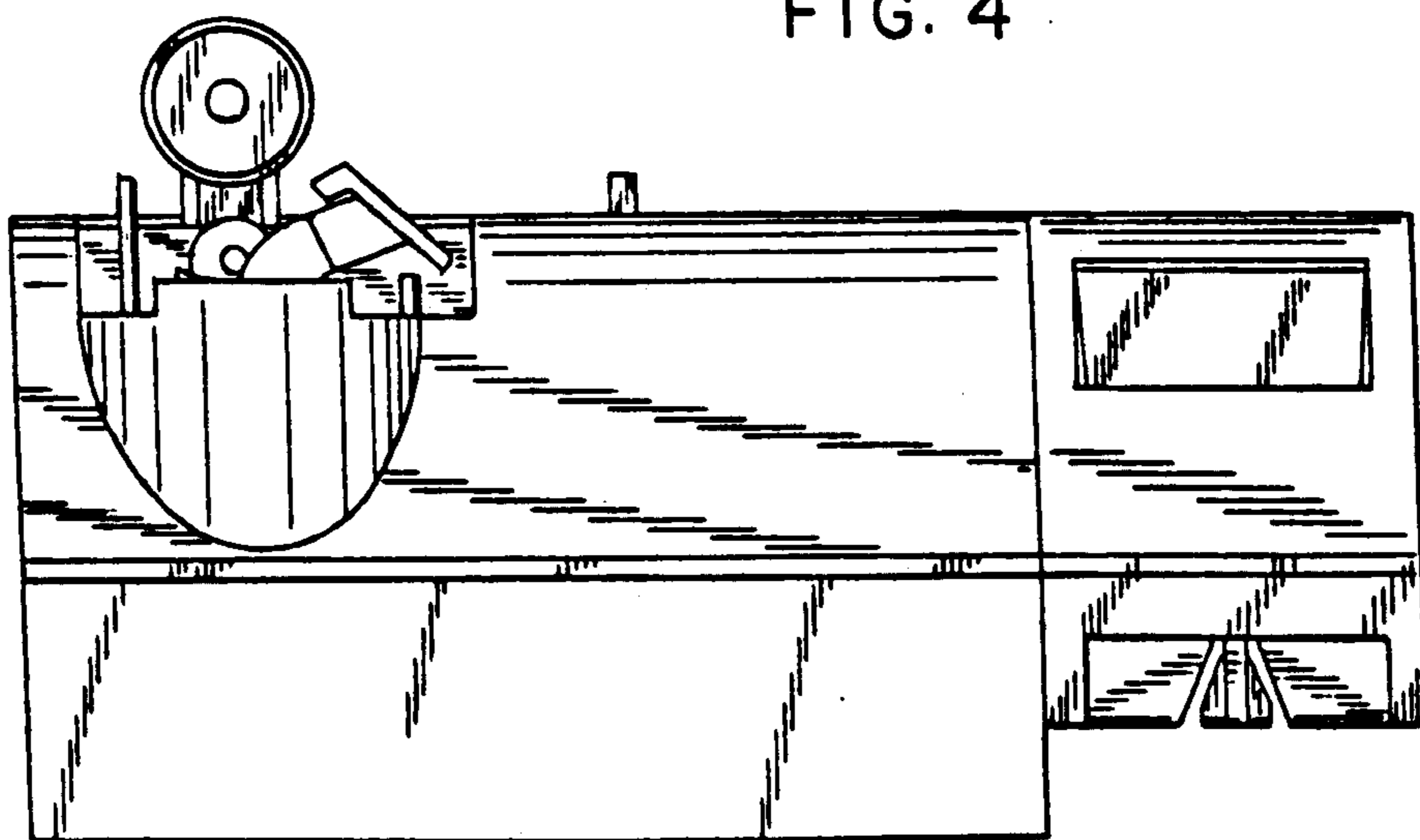


FIG. 5

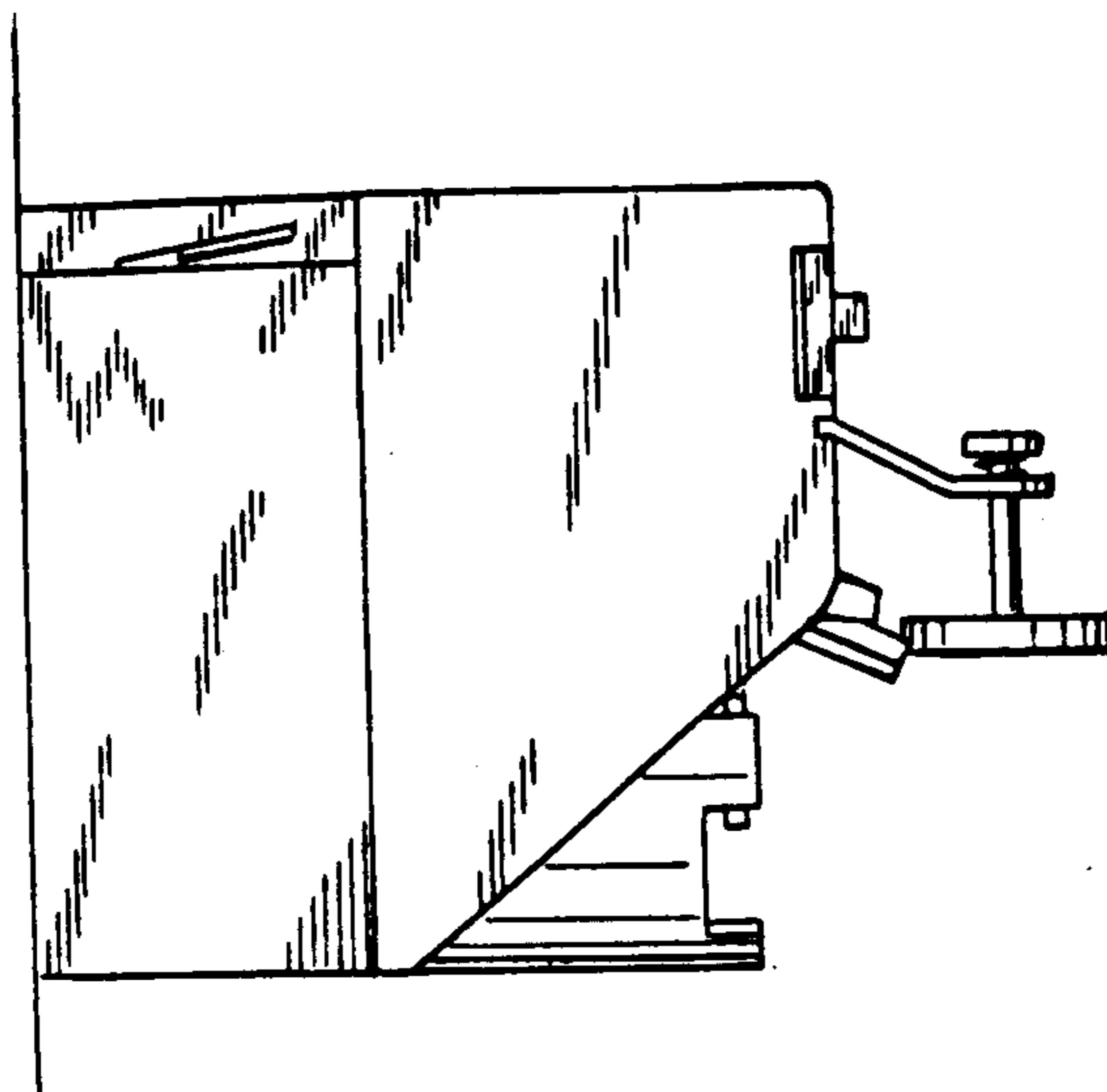


FIG. 6

