

United States Patent [19]

Watts

[11] Patent Number: **Des. 318,596**

[45] Date of Patent: **** Jul. 30, 1991**

[54] **COMBINED POPCORN BOWL AND SIEVE**

[76] Inventor: **Charles W. Watts, 410 E. Main,
Steelville, Ill. 62288**

[**] Term: **14 Years**

[21] Appl. No.: **196,278**

[22] Filed: **May 20, 1988**

[52] U.S. Cl. **D7/505; D7/325;
D7/584; D7/667**

[58] Field of Search **D7/505, 325, 667, 584,
D7/360, 354, 357, 356**

[56] **References Cited**

U.S. PATENT DOCUMENTS

D. 103,390	3/1937	Connor	D7/667
D. 262,681	1/1982	Dawson	D7/667
D. 272,222	1/1984	Cho	D7/667
D. 278,014	3/1985	Faris	D7/505
1,119,255	12/1914	Durkin	D7/667 X

4,147,277	4/1979	Bateman et al.	220/400
4,435,628	3/1984	Bowen et al.	D7/325 X

OTHER PUBLICATIONS

Oneida/Sambonet-Italy Holloware brochure, Apr. 1971, p. 3, top right panel—item X “Ice Bowl”.

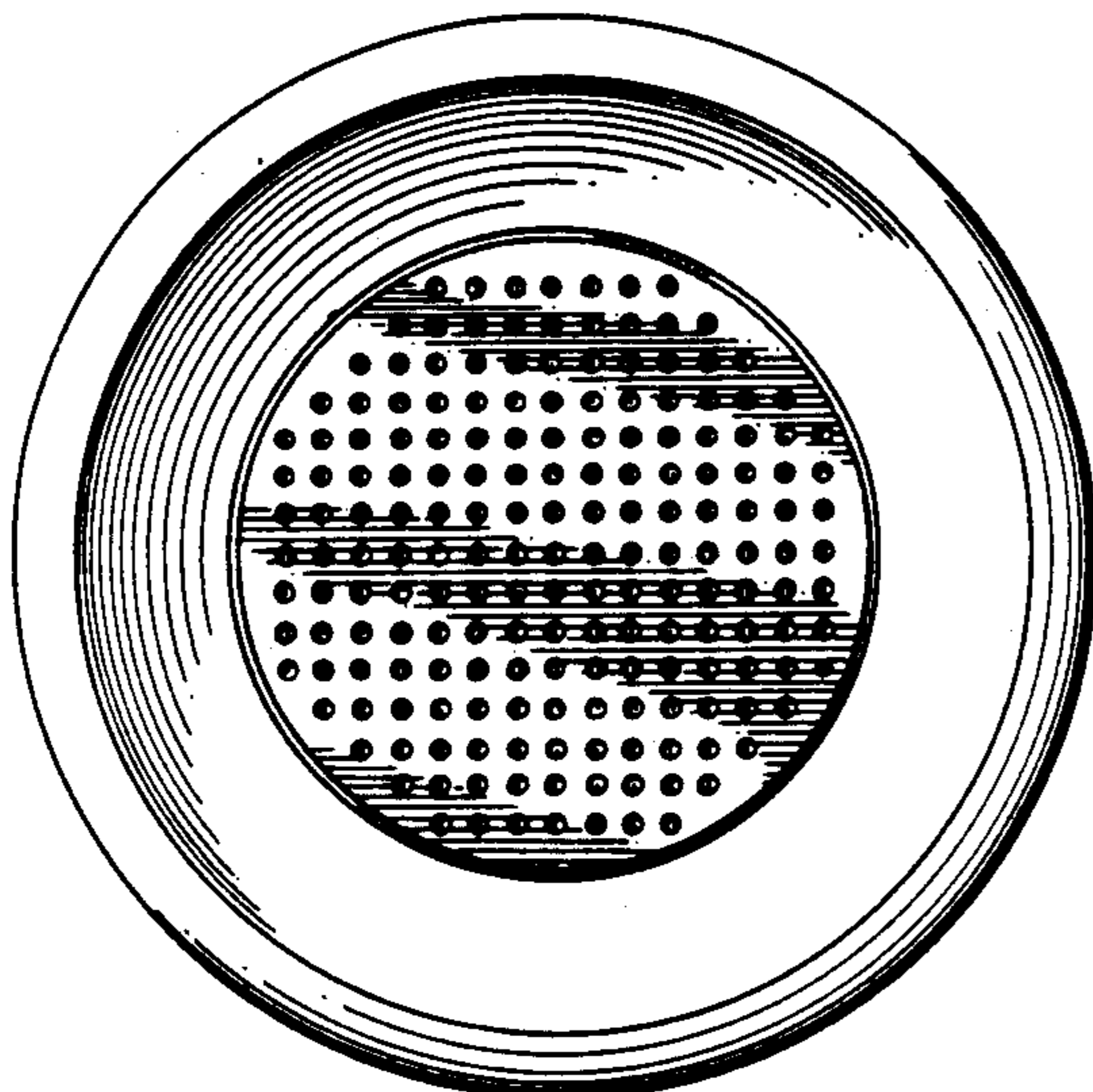
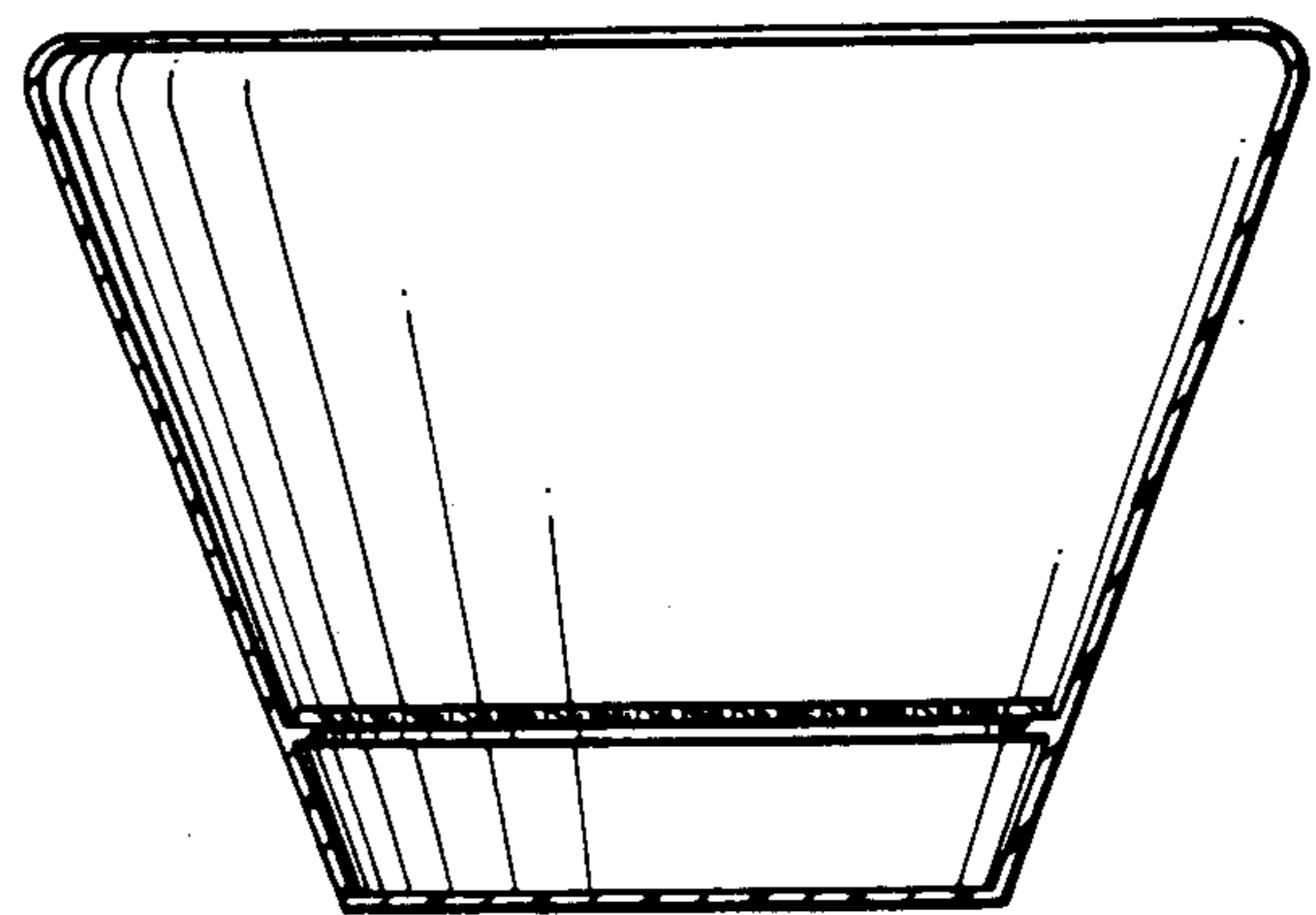
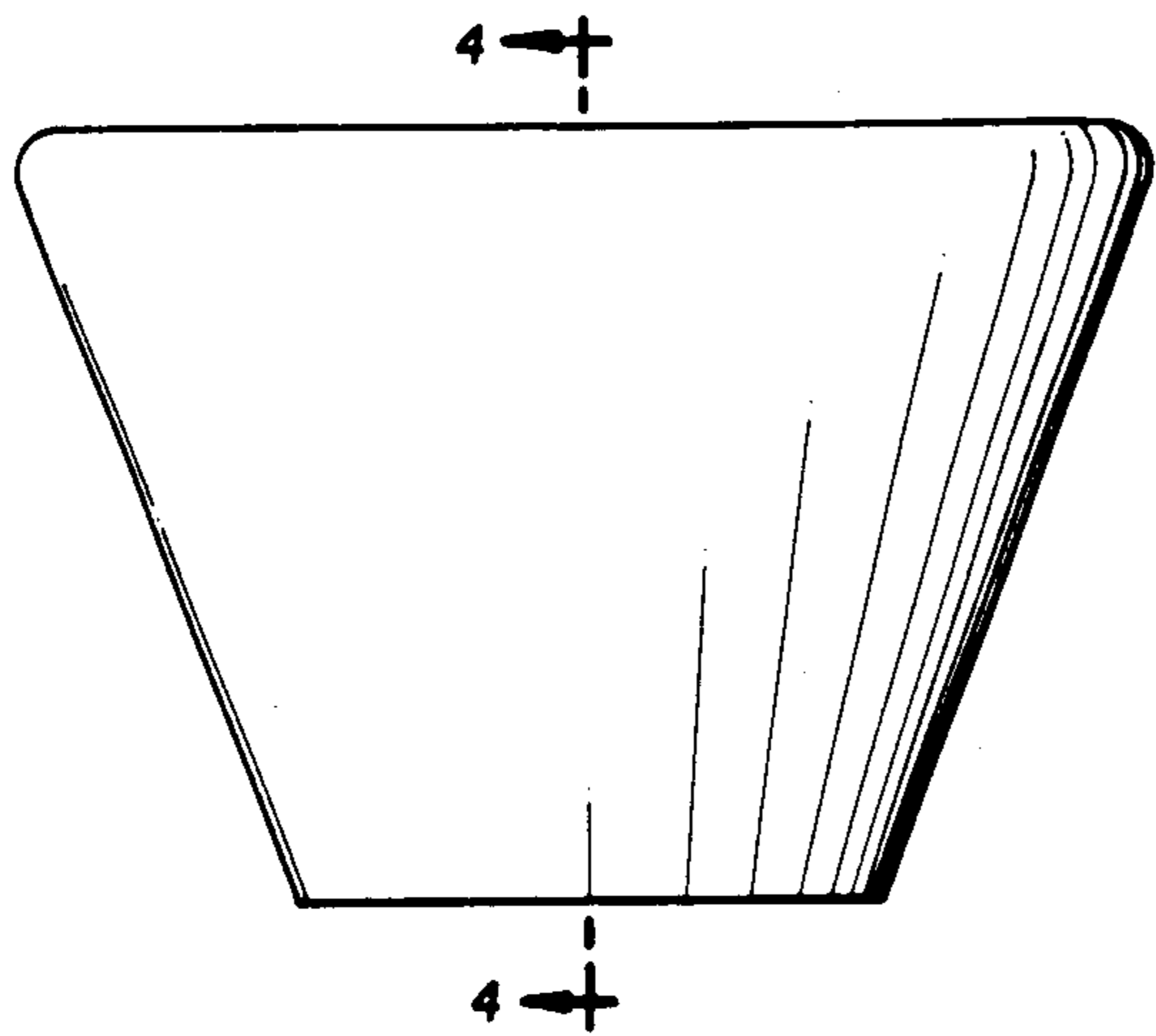
Primary Examiner—Winifred E. Herrmann
Attorney, Agent, or Firm—Don W. Weber

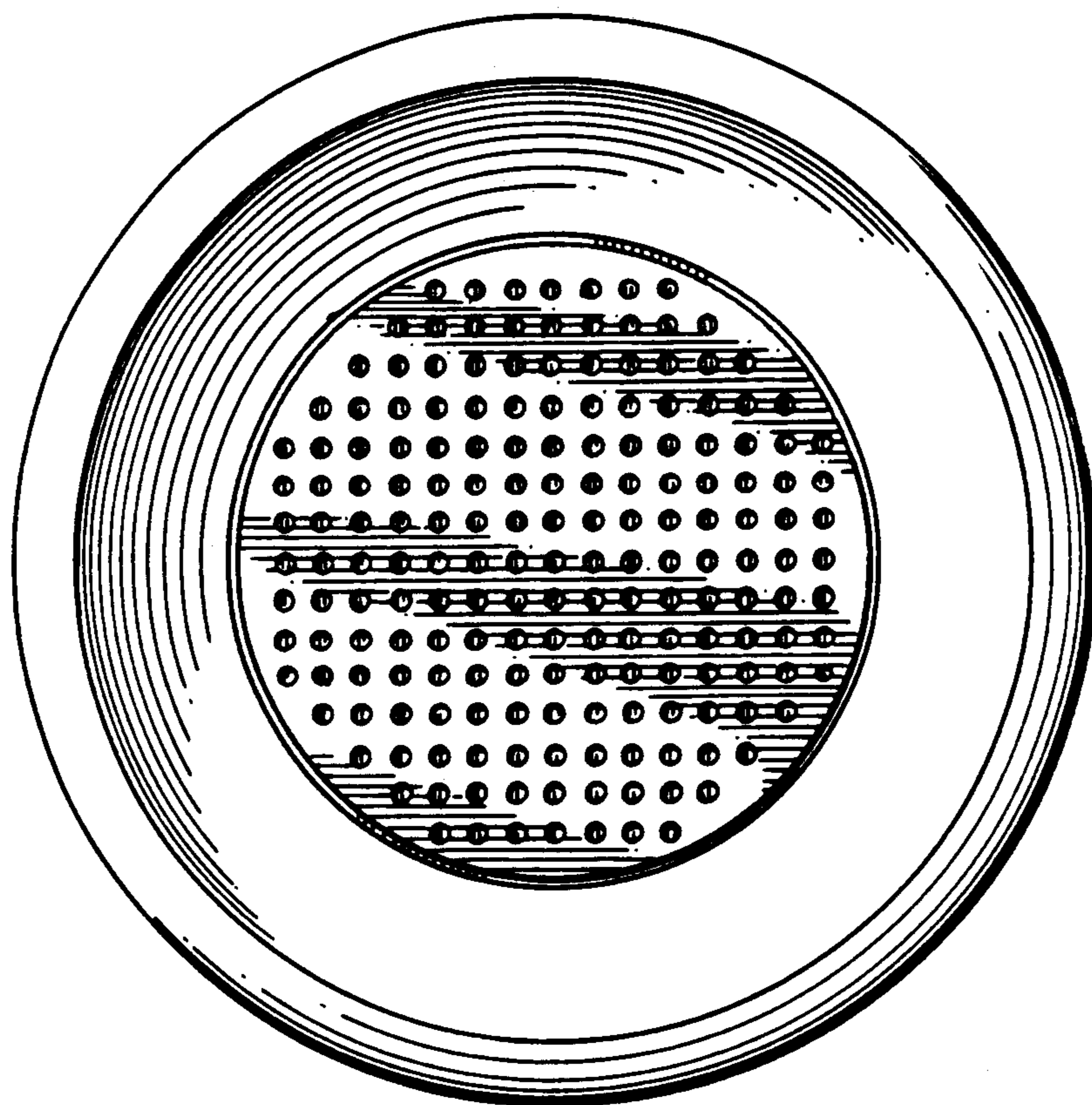
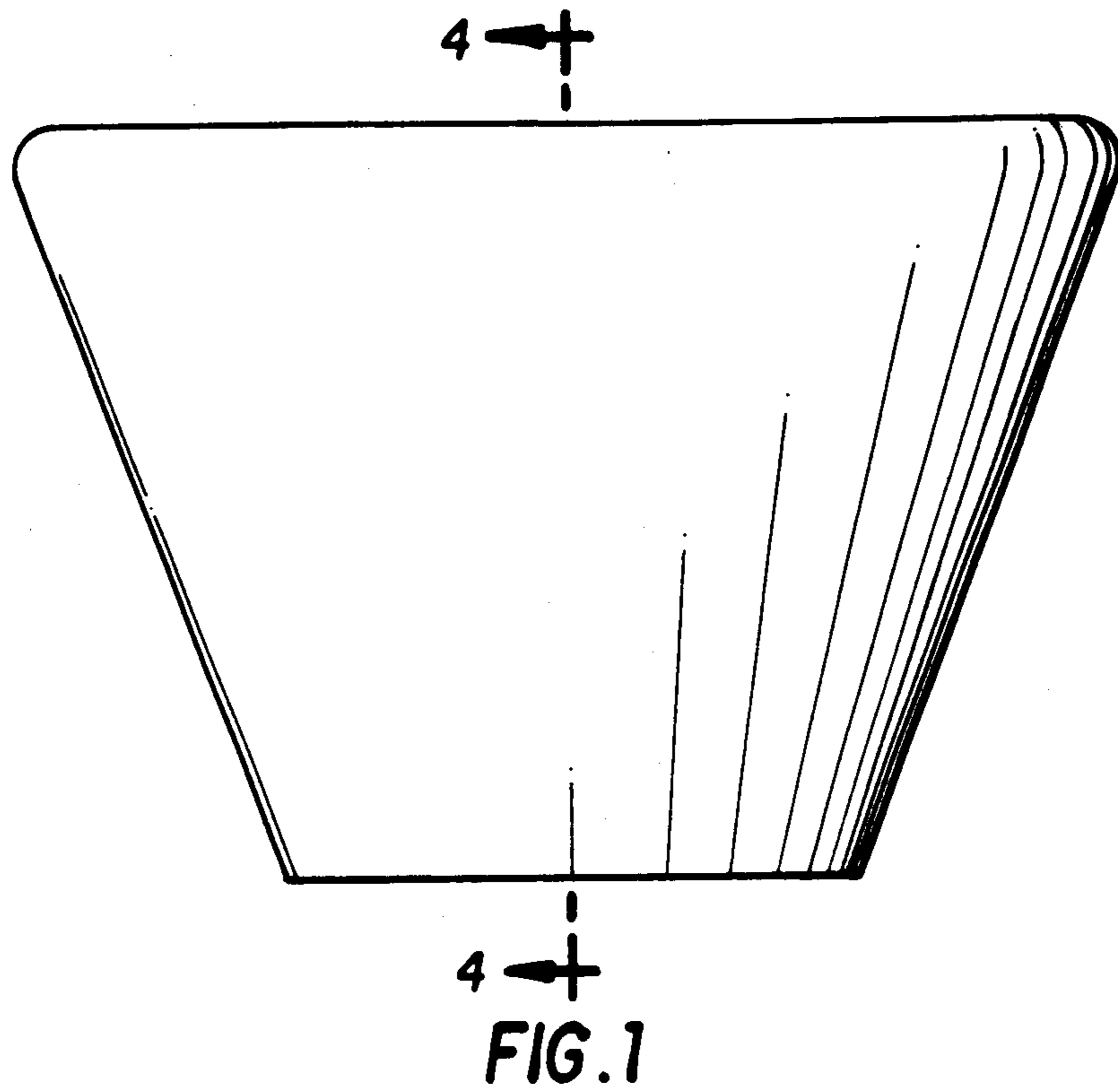
[57] **CLAIM**

The ornamental design for a combined popcorn bowl and sieve, as shown and described.

DESCRIPTION

FIG. 1 is a side elevational view of a combined popcorn bowl and sieve showing my new design, with all sides being similar to the side shown;
FIG. 2 is a top plan view thereof;
FIG. 3 is a bottom plan view thereof; and
FIG. 4 is a cross-sectional view thereof taken on line 4—4 of FIG. 1.





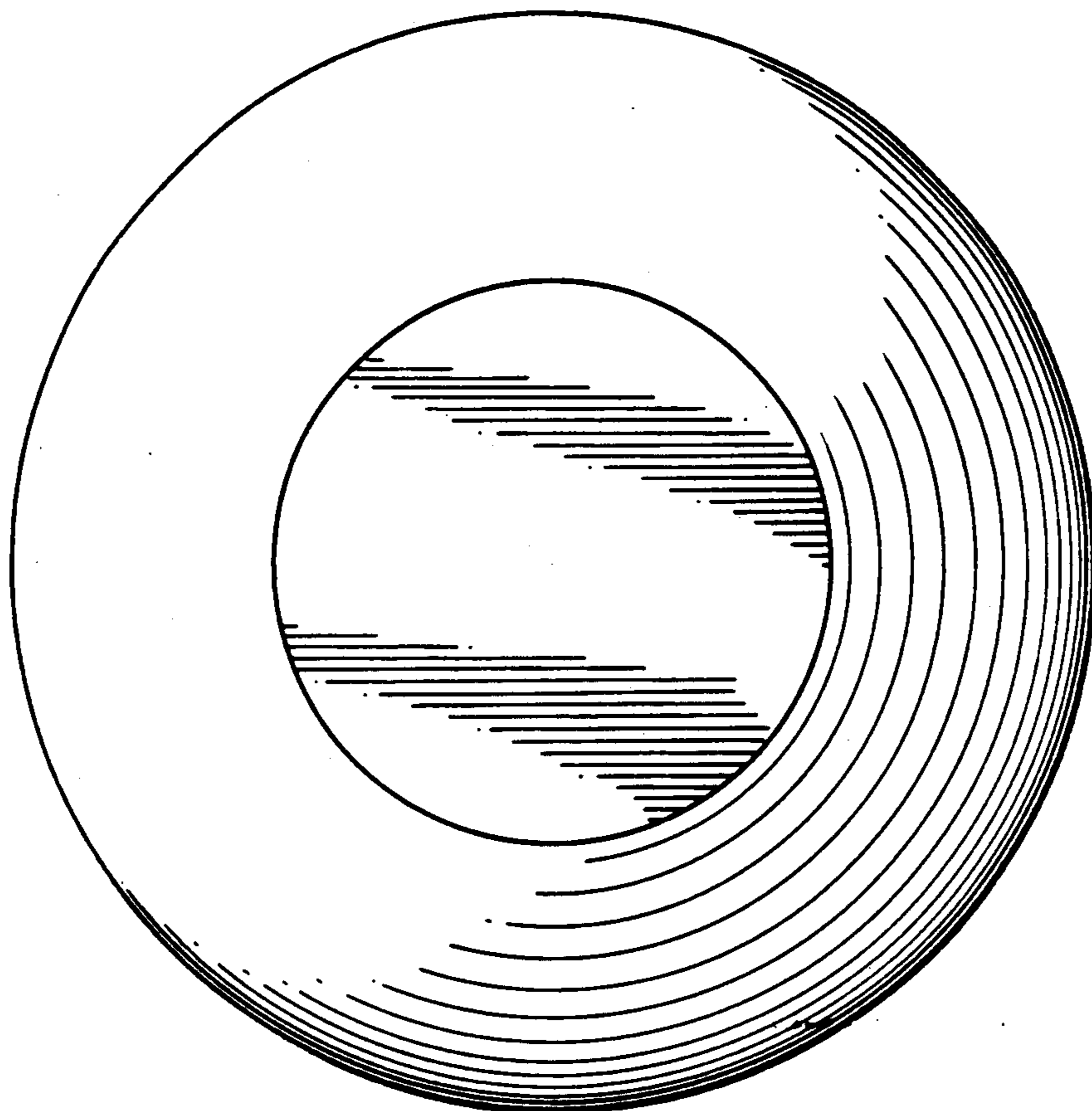


FIG. 3

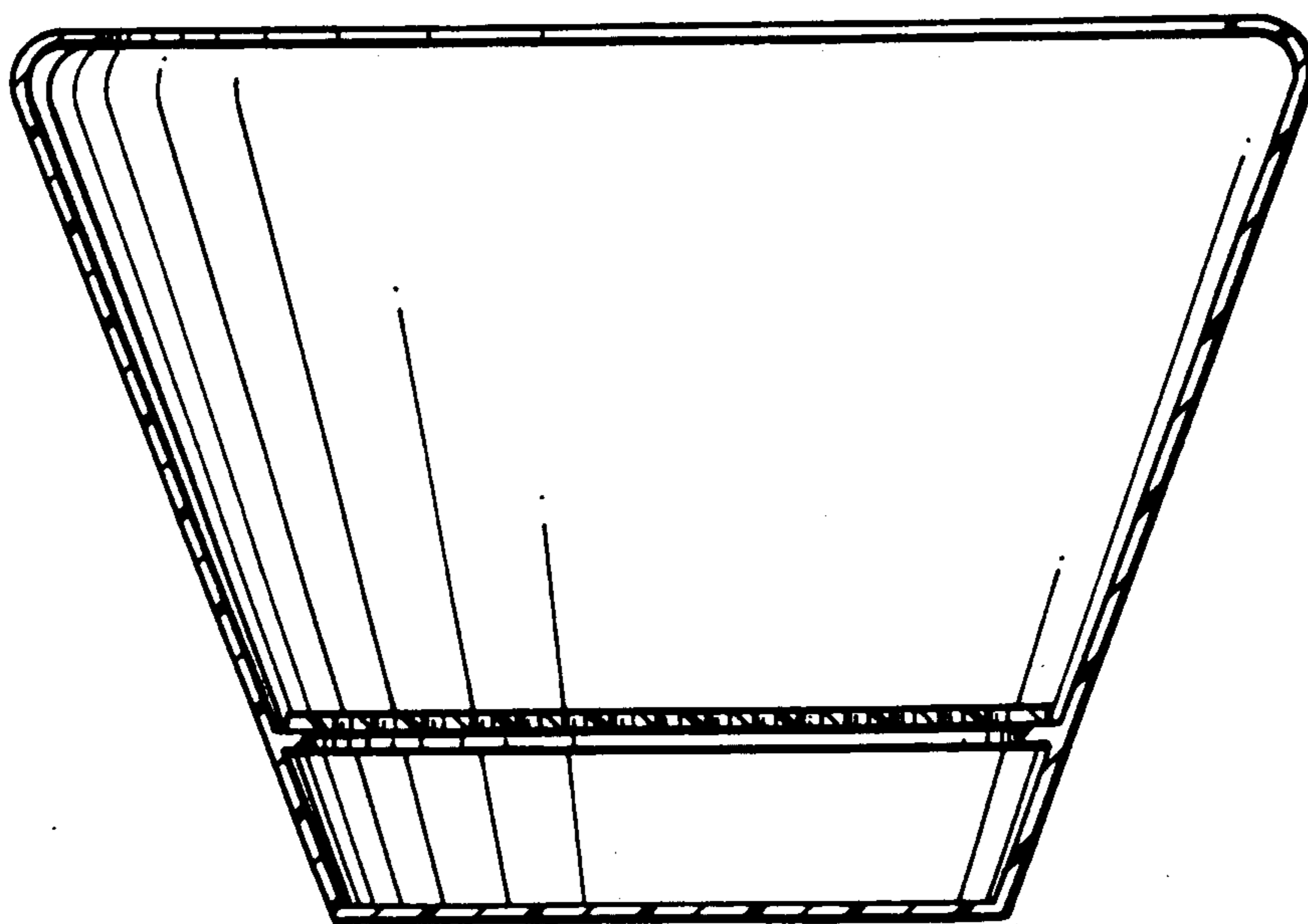


FIG. 4