

[54] SUPPORT ACCESSORY

[75] Inventor: William C. McKeone, Sheboygan, Wis.

[73] Assignee: Kohler Co., Kohler, Wis.

[**] Term: 14 Years

[21] Appl. No.: 332,668

[22] Filed: Mar. 31, 1989

[52] U.S. Cl. D6/524; D6/553;
D8/367; D8/373; D8/381

[58] Field of Search D6/512, 524, 301;
D8/367, 373, 380-381; 211/13, 86-88;
248/235, 250, 304, 309.1, 309.2, 314, 316.8,
316.1; 40/152.1

[56] References Cited

U.S. PATENT DOCUMENTS

D. 215,738	10/1969	Allen	D6/534
D. 235,098	5/1975	Doman	D23/252
D. 267,455	1/1983	Cohen	D8/367
D. 281,838	12/1985	Thompson	D6/546 X
D. 282,885	3/1986	Jarrett	D8/367 X
D. 287,569	1/1987	Shepard	D8/381
D. 288,284	2/1987	Courtemanche et al.	D8/367 X
D. 291,655	9/1987	Motta	D8/381
D. 296,844	7/1988	Ramsey et al.	D8/367 X
D. 298,895	12/1988	Sharpe	D6/550 X
D. 304,545	11/1989	Hurrelbrink	D8/367 X
2,752,992	7/1956	D'Azzo	248/304

OTHER PUBLICATIONS

Page 13 from an undated Kohler Co. catalog showing the "IV Georges" Robe Hook, (item F), undated (admitted prior art).

Page 39 of a Kohler Co. brochure showing the "Colibri" Robe Hook, undated (admitted prior art).

A page from a 1988 Broadway Industries advertisement

showing the Colony White 10.10104 Robe Hook, undated (admitted prior art).

Primary Examiner—Wallace R. Burke
Assistant Examiner—Brian N. Vinson
Attorney, Agent, or Firm—Quarles & Brady

[57] CLAIM

The ornamental design for a support accessory, as shown and described.

DESCRIPTION

FIG. 1 is a perspective view taken from the top, front and left side of a support accessory showing my new design, the embodiment being in the form of a robe hook or the like;

FIG. 2 is a front elevational view thereof;

FIG. 3 is a left side elevational view thereof, the right side elevational view being the mirror image thereof;

FIG. 4 is a top plan view thereof;

FIG. 5 is a bottom plan view thereof;

FIG. 6 is a perspective view taken from the top, front and left side of a support accessory showing my new design, the second embodiment being in the form of a shelf bracket or the like;

FIG. 7 is a front elevational view thereof;

FIG. 8 is a left side elevational view thereof;

FIG. 9 is a right side elevational view thereof;

FIG. 10 is a top plan view thereof, the bottom plan view being the mirror image thereof;

FIG. 11 is a perspective view taken from the top, front and left side of a support accessory showing my new design, the third embodiment being in the form of a mirror bracket or the like;

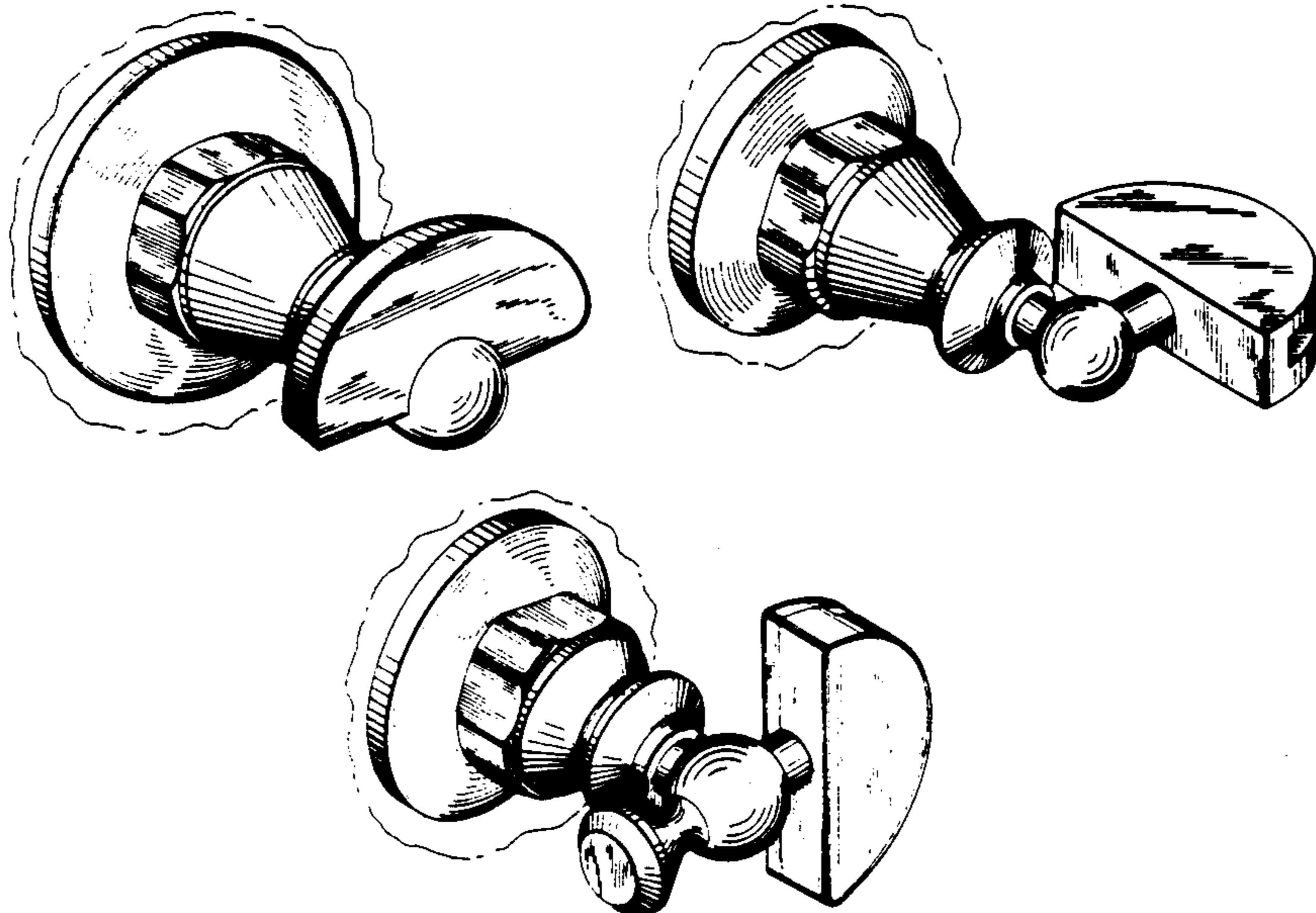
FIG. 12 is a front elevational view thereof;

FIG. 13 is a left side elevational view thereof;

FIG. 14 is a right side elevational view thereof; and

FIG. 15 is a top plan view thereof, the bottom plan view being the mirror image thereof.

The fragmentary broken line representations of walls in FIGS. 1, 6 and 11 are for the purpose of illustration only and form no part of the claimed design.



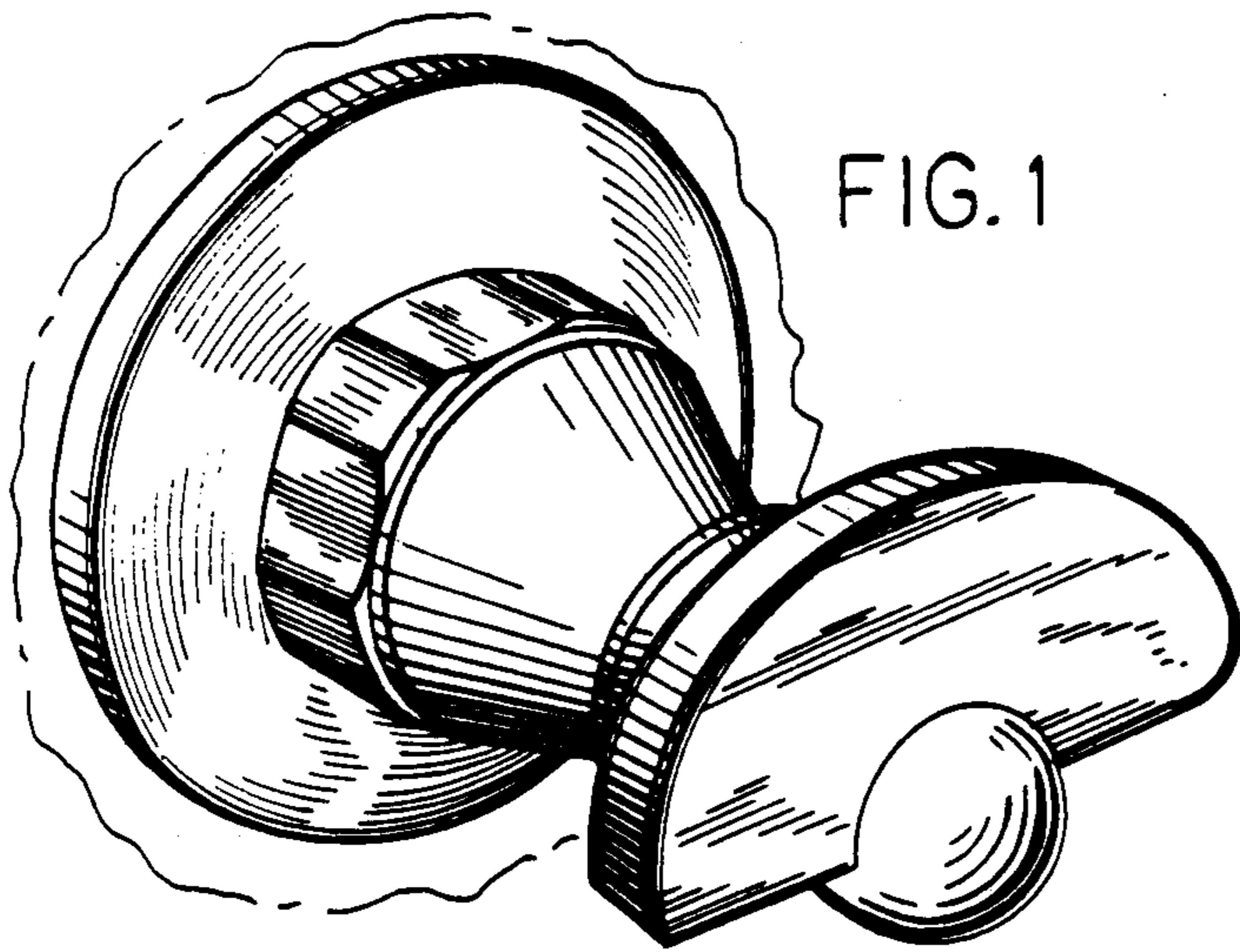


FIG. 1

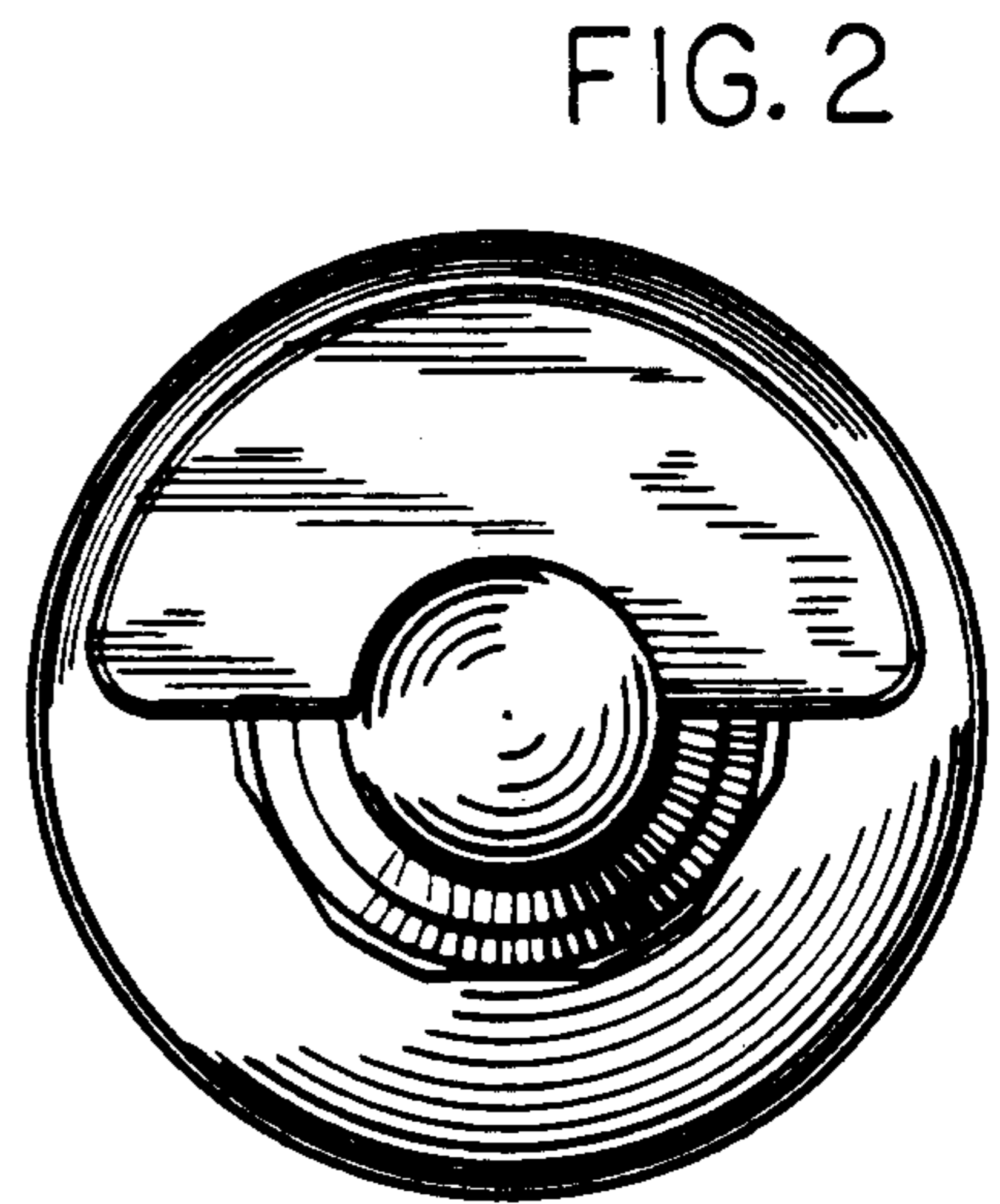


FIG. 2

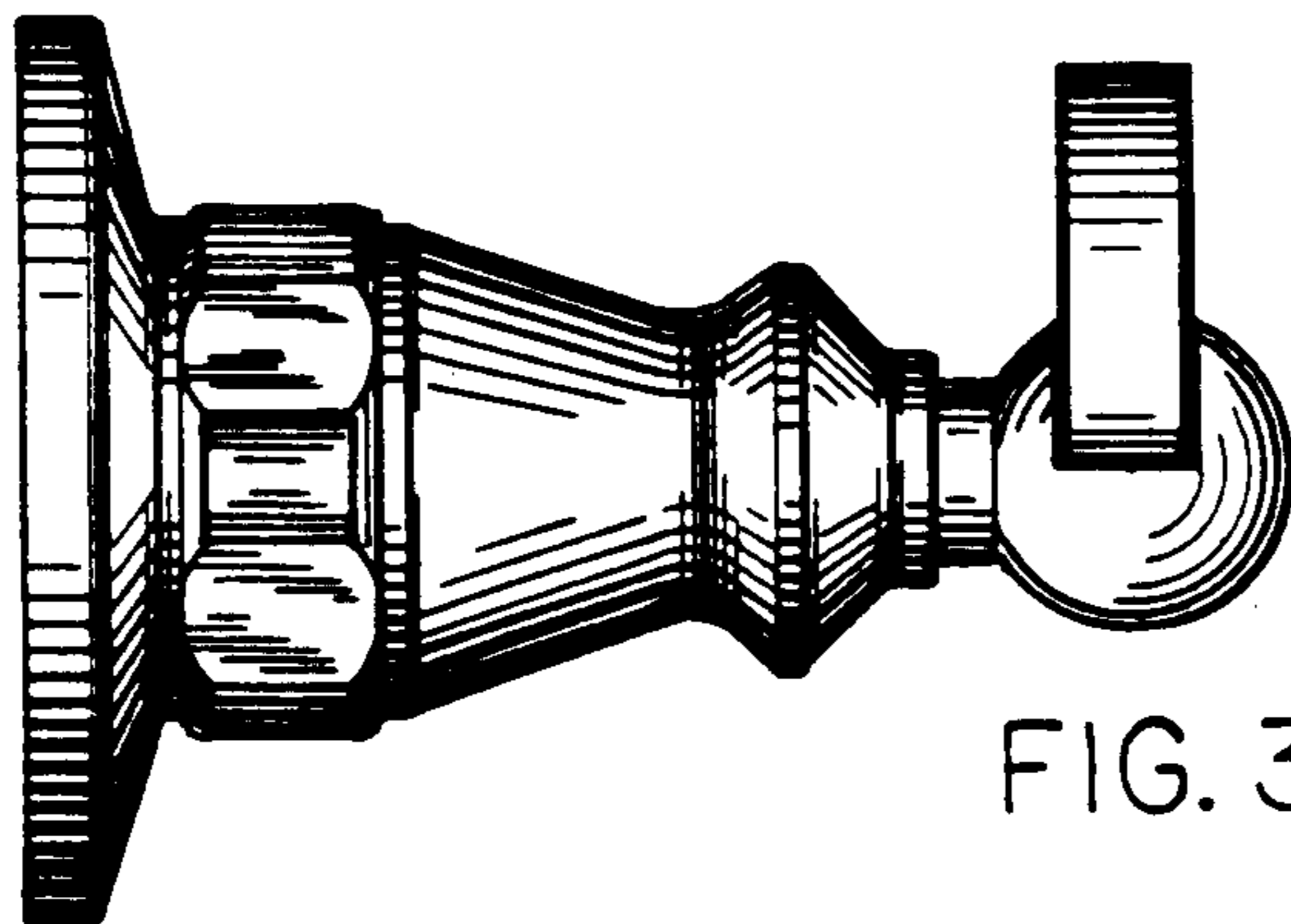


FIG. 3

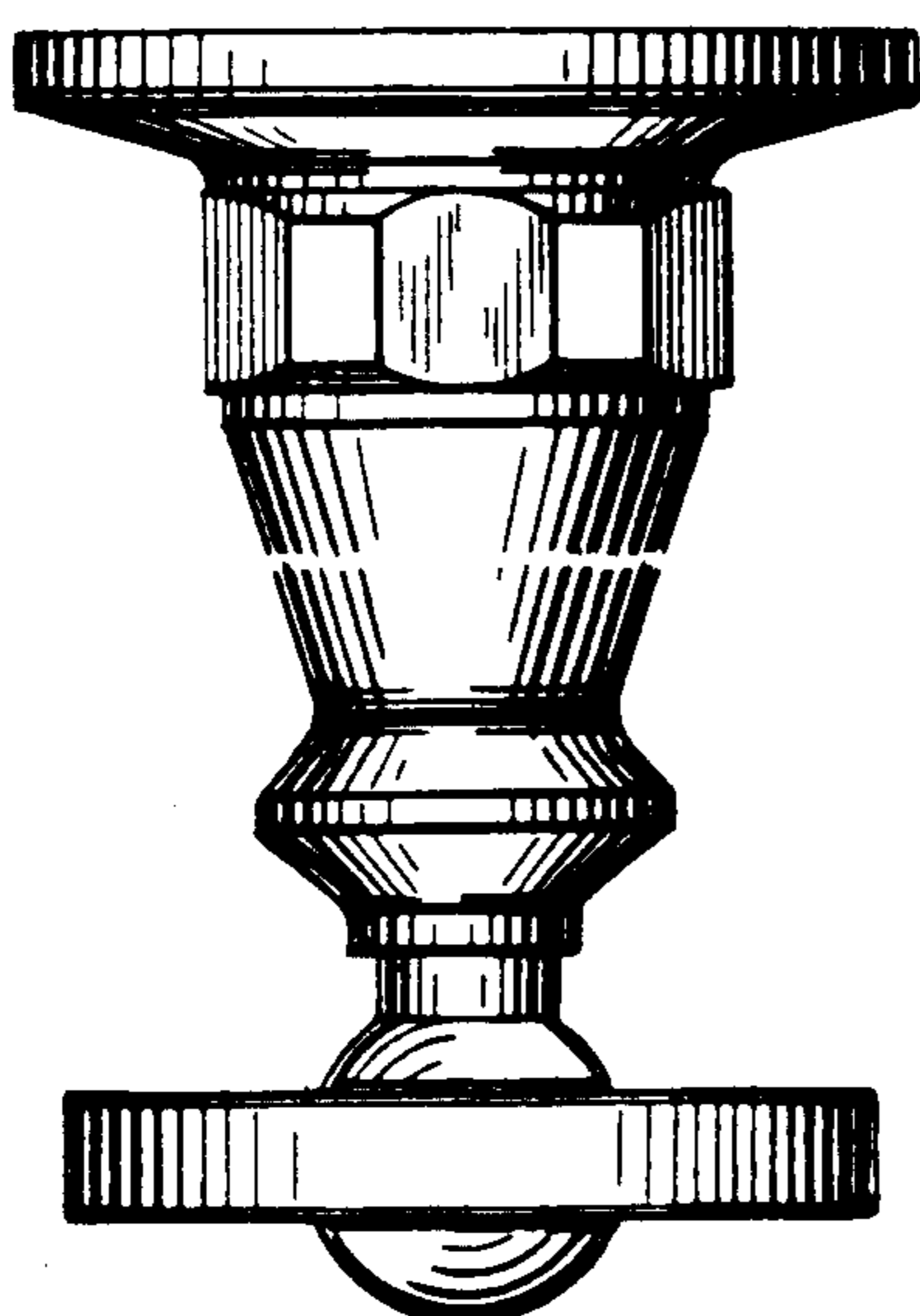


FIG. 4

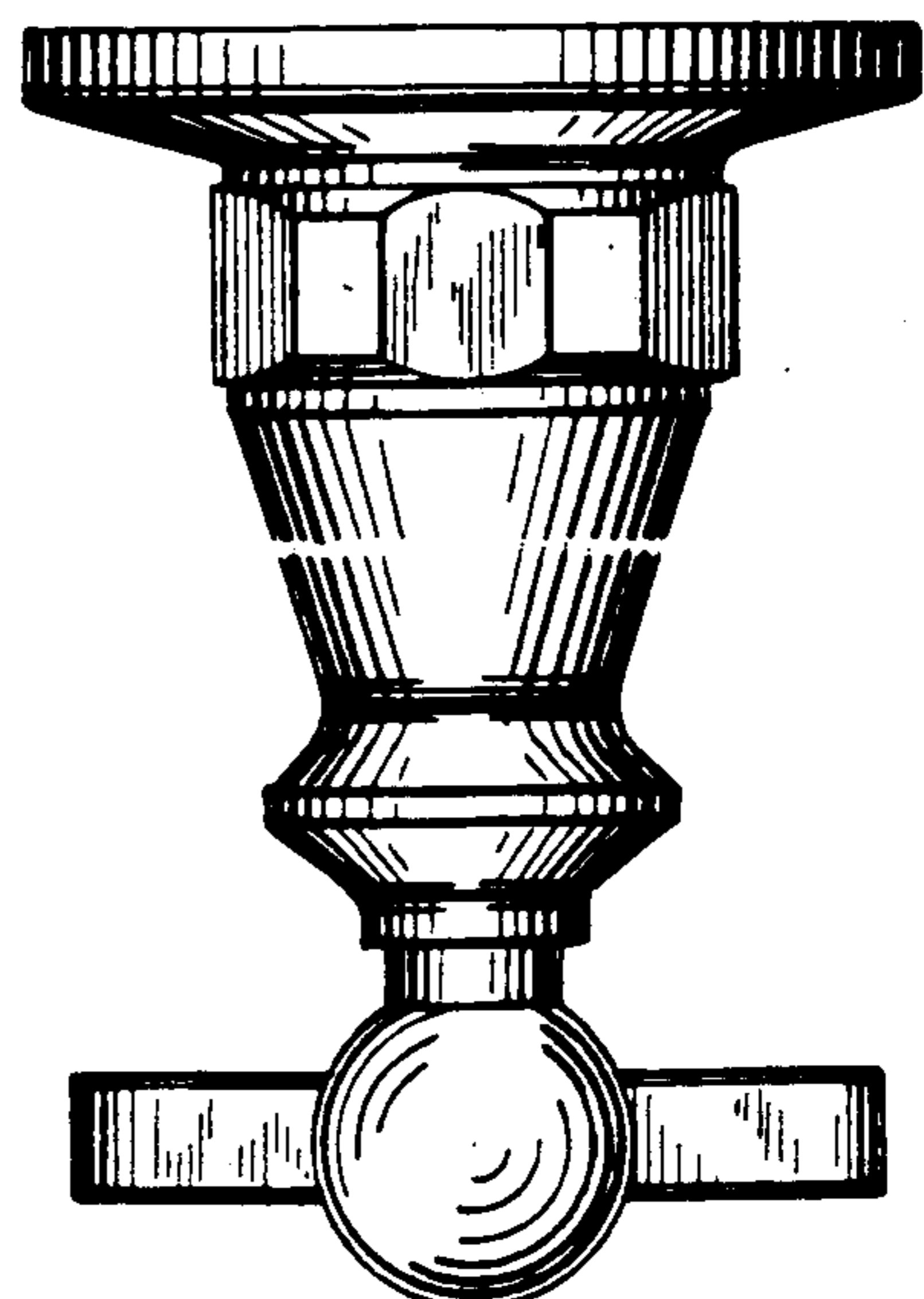


FIG. 5

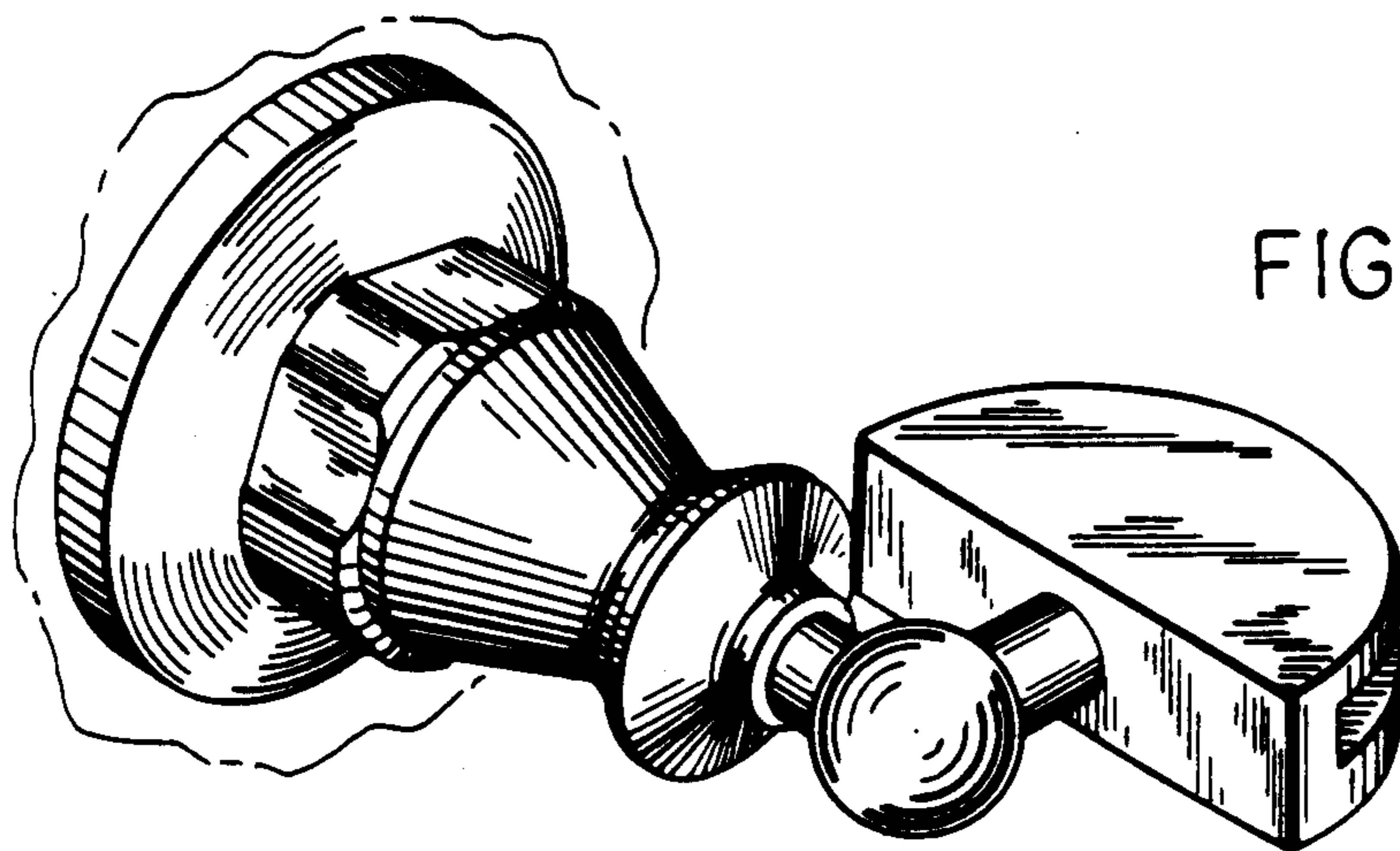


FIG. 6

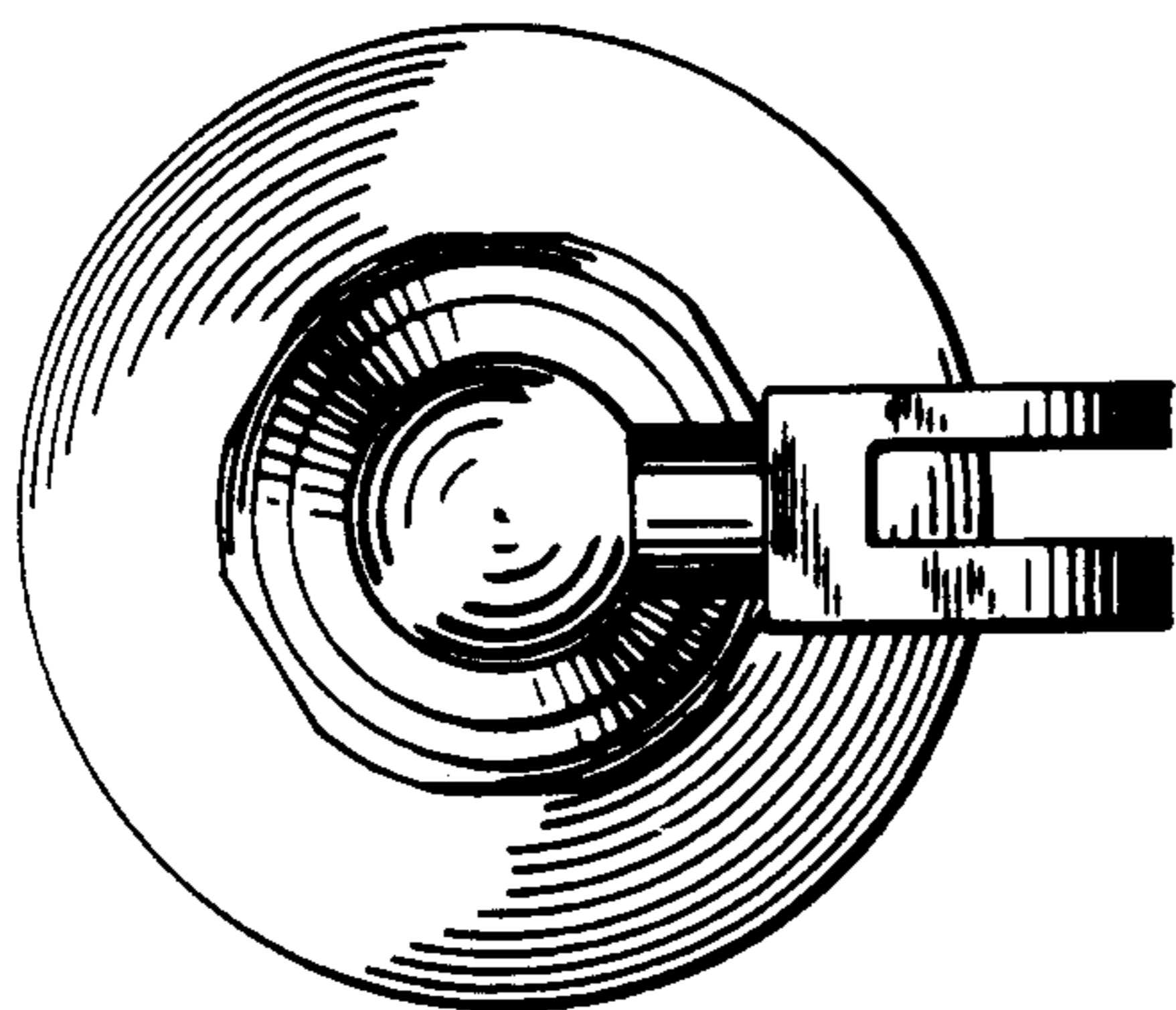


FIG. 7

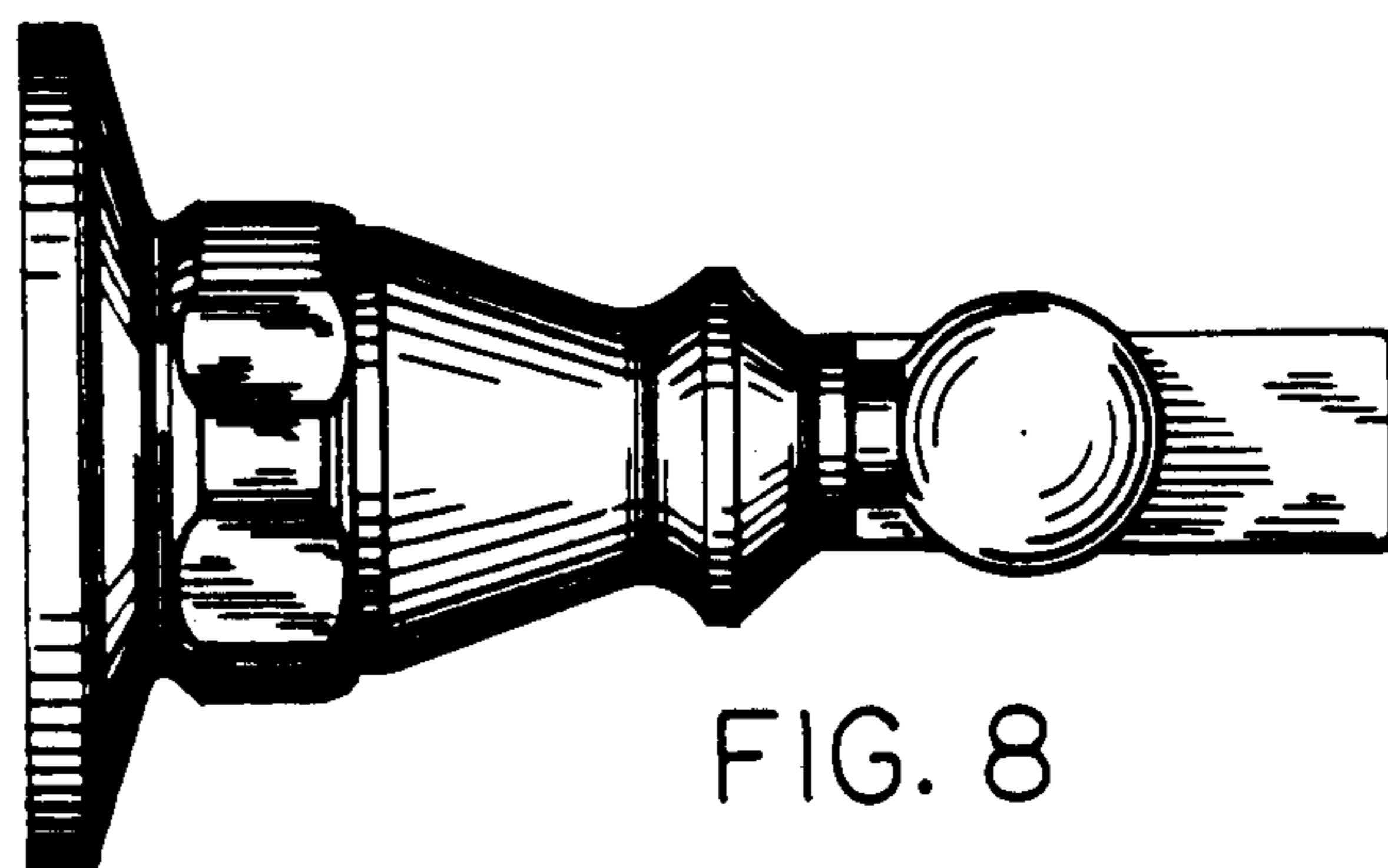


FIG. 8

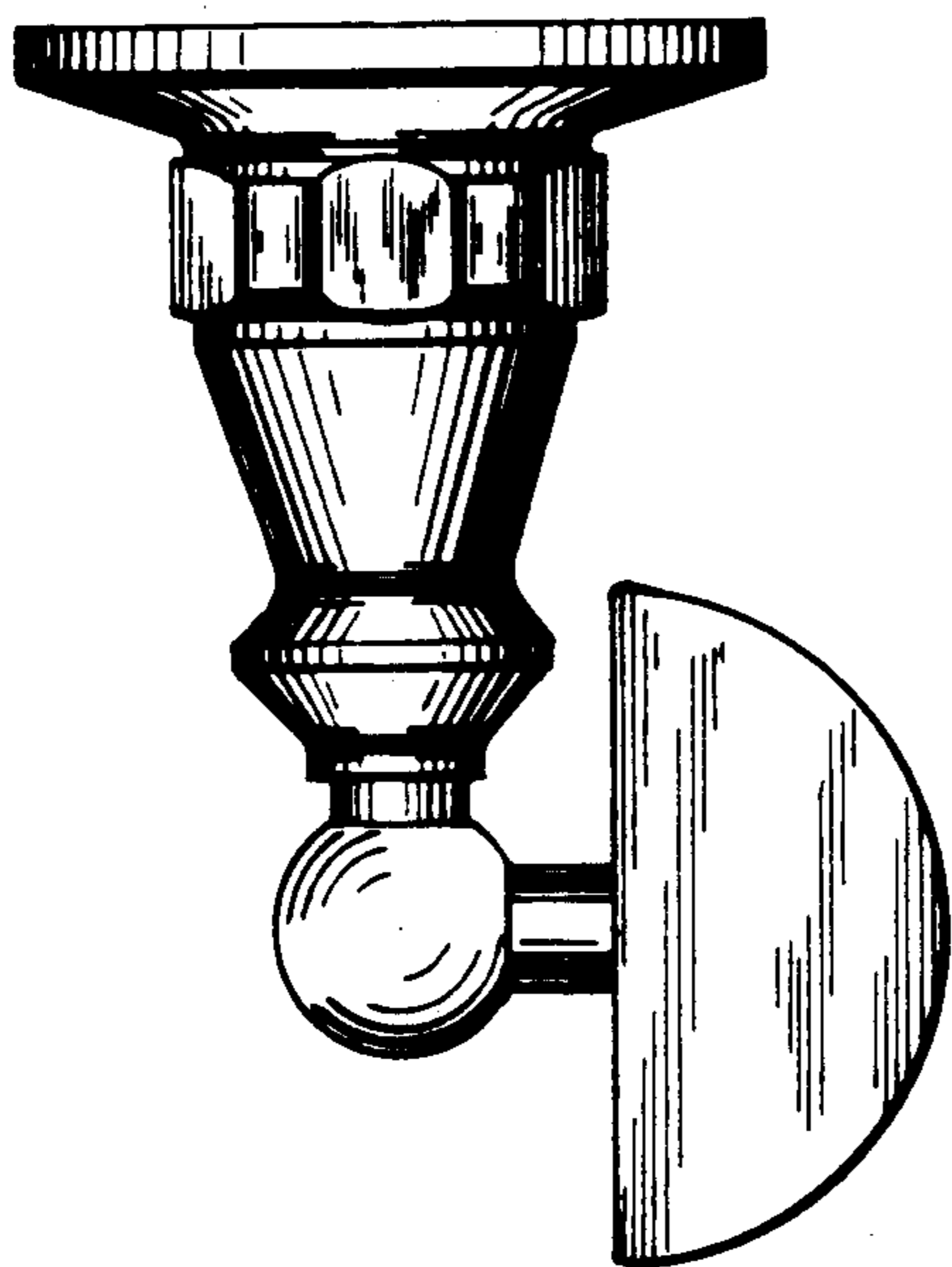


FIG. 10

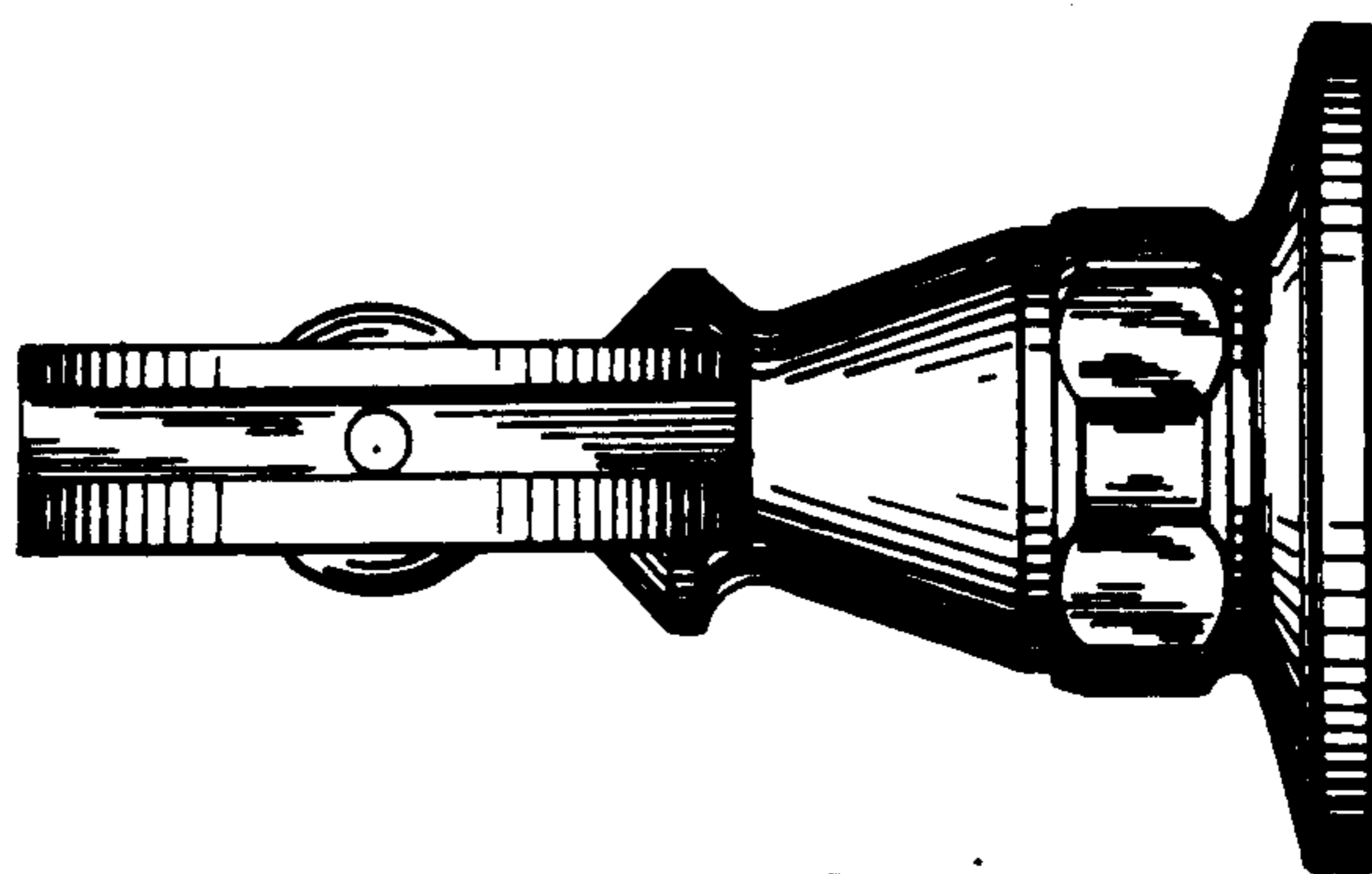


FIG. 9

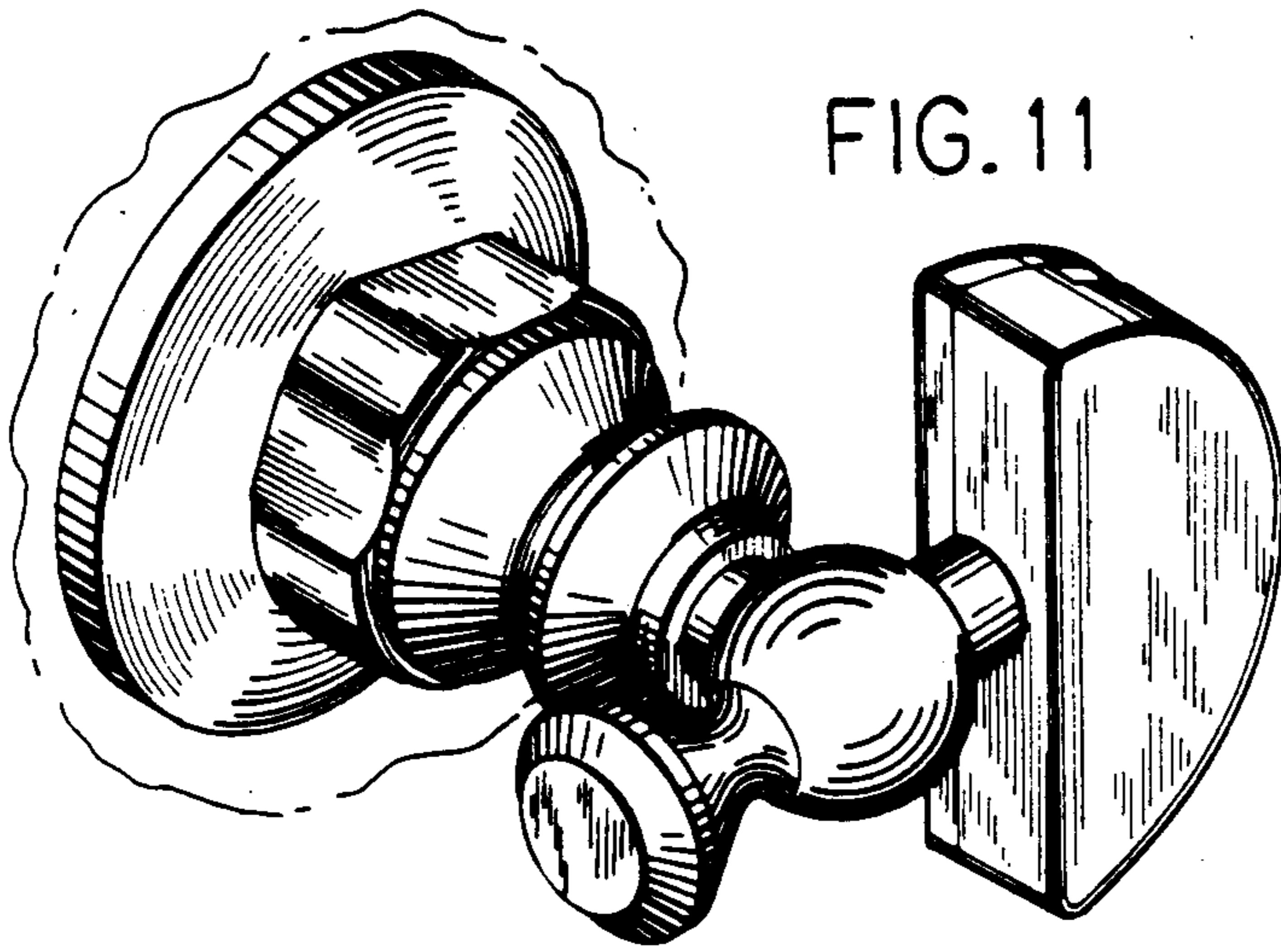


FIG. 11

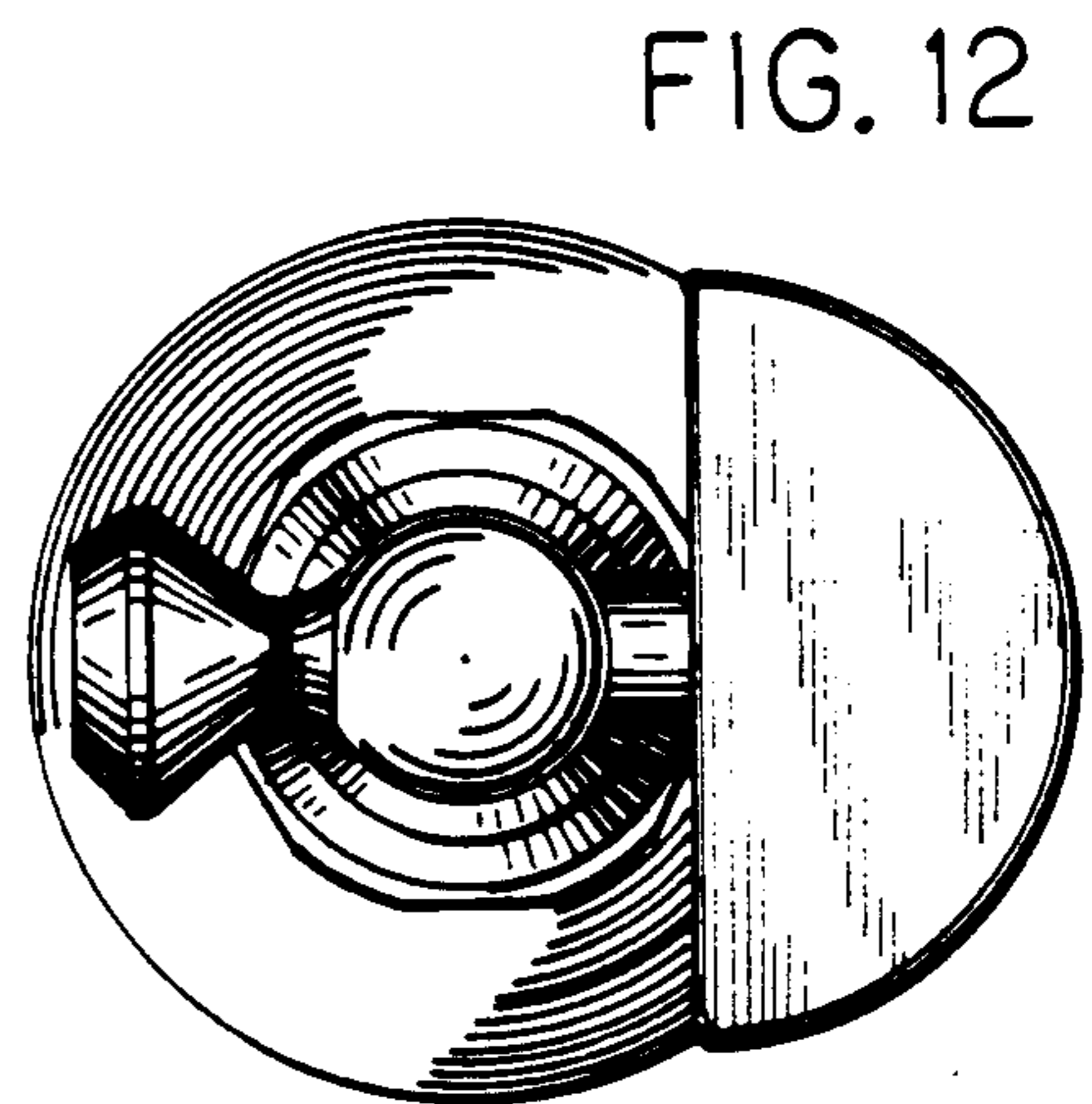


FIG. 12

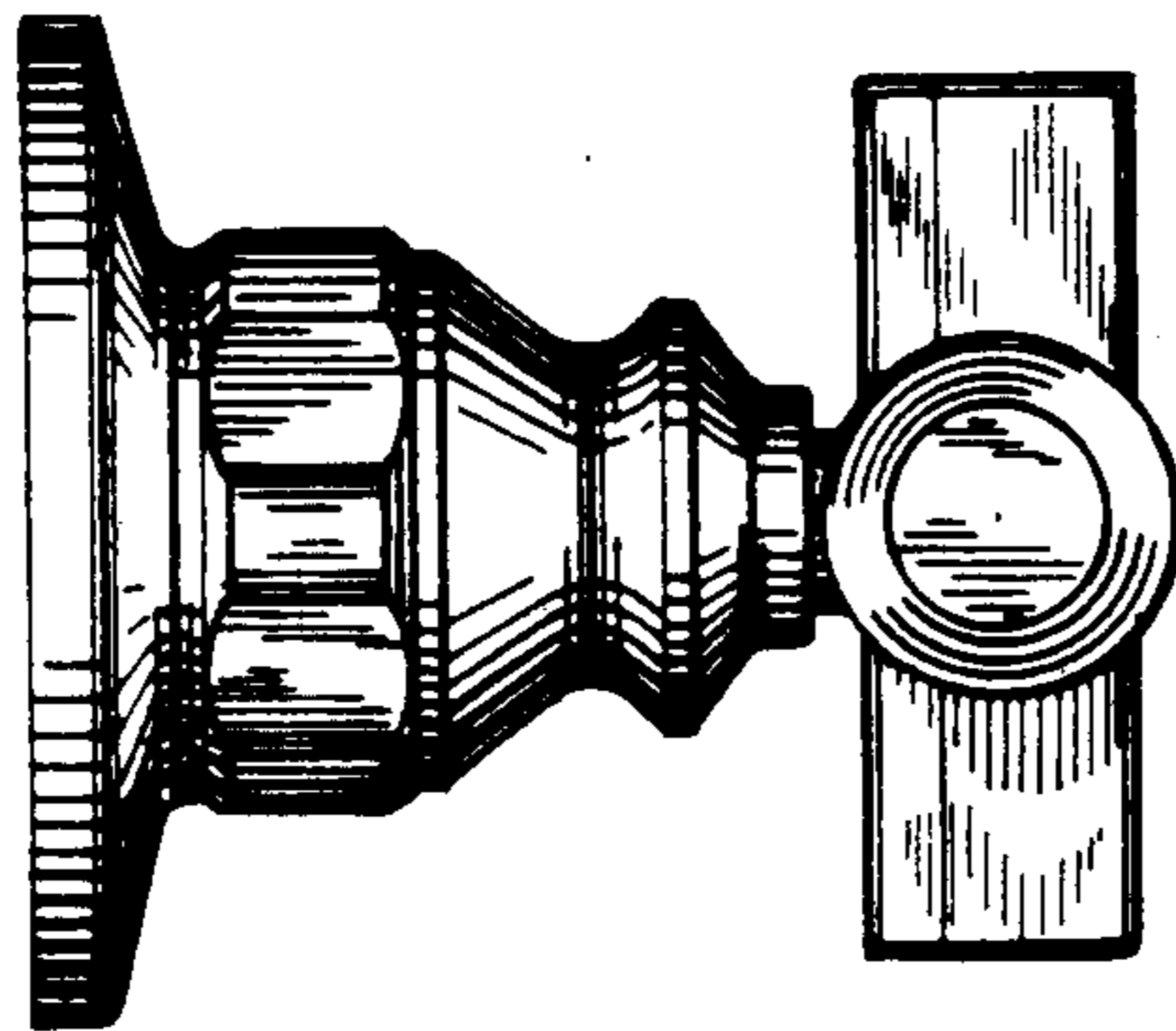


FIG. 13

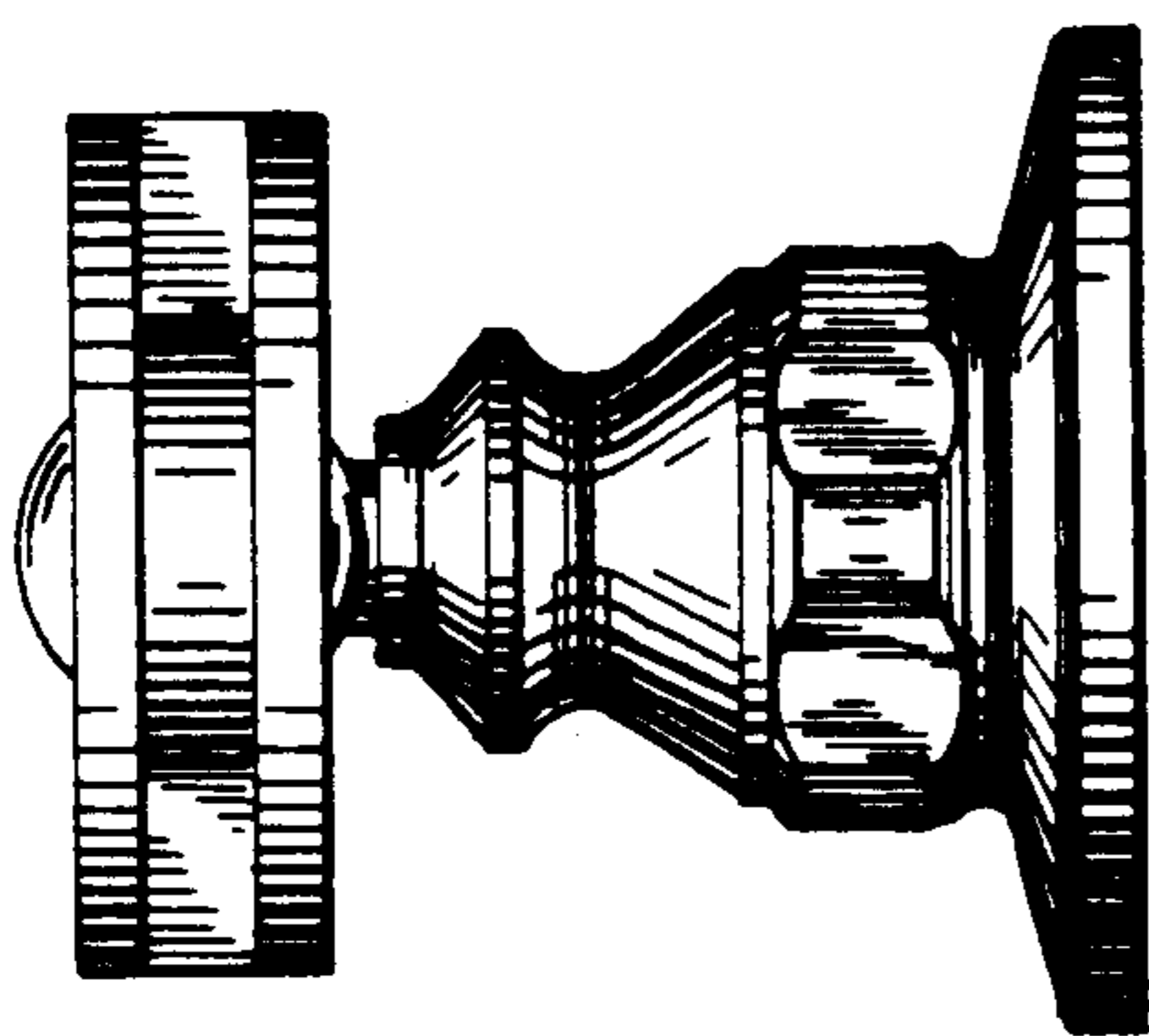


FIG. 14

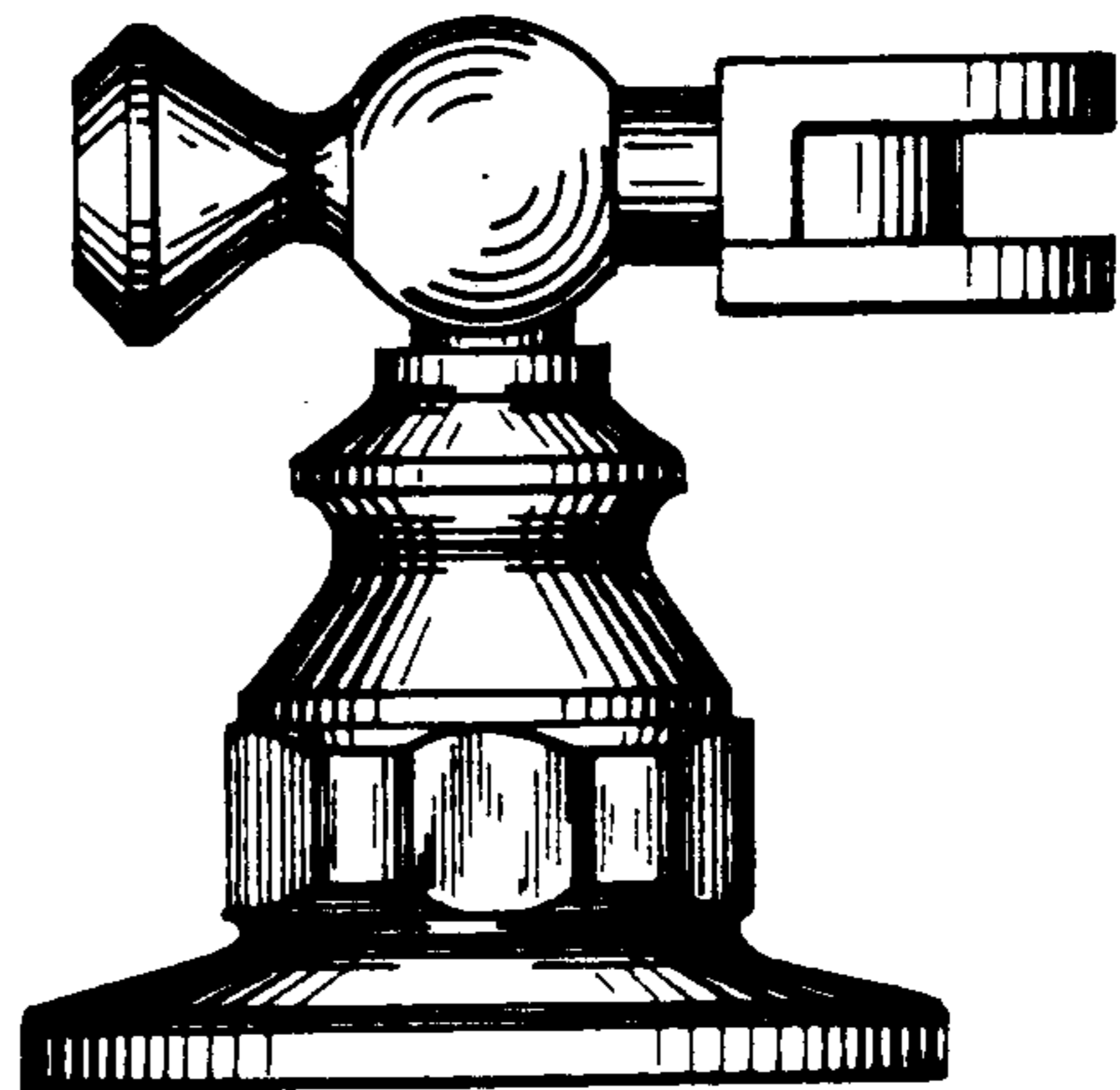


FIG. 15