

[54] ADJUSTABLE ARM REST ATTACHMENT

[75] Inventor: Richard Szadkowski, Edmonds, Wash.

[73] Assignee: Lucy Szadkowski, Mukilteo, Wash.

[**] Term: 14 Years

[21] Appl. No.: 567,885

[22] Filed: Aug. 15, 1990

Related U.S. Application Data

[60] Division of Ser. No. 142,878, Jan. 7, 1988, Pat. No. Des. 314,106, which is a continuation-in-part of Ser. No. 897,902, Aug. 19, 1986, abandoned.

[52] U.S. Cl. D6/501

[58] Field of Search D6/334, 356, 366, 367, D6/368, 379, 462, 495, 496, 500-502, 511; D24/1.1, 3, 64; 297/411, 412, 414, 416

References Cited

U.S. PATENT DOCUMENTS

D. 177,324 4/1956 Hartman D6/511
D. 277,916 3/1985 Aronowitz et al. D6/501

1,691,613 11/1928 Roach et al. 297/412
2,477,898 8/1949 Rehman et al. 297/411
2,630,288 3/1953 Eubanks, Sr. 297/411 X
3,206,249 9/1965 Gateley 297/416

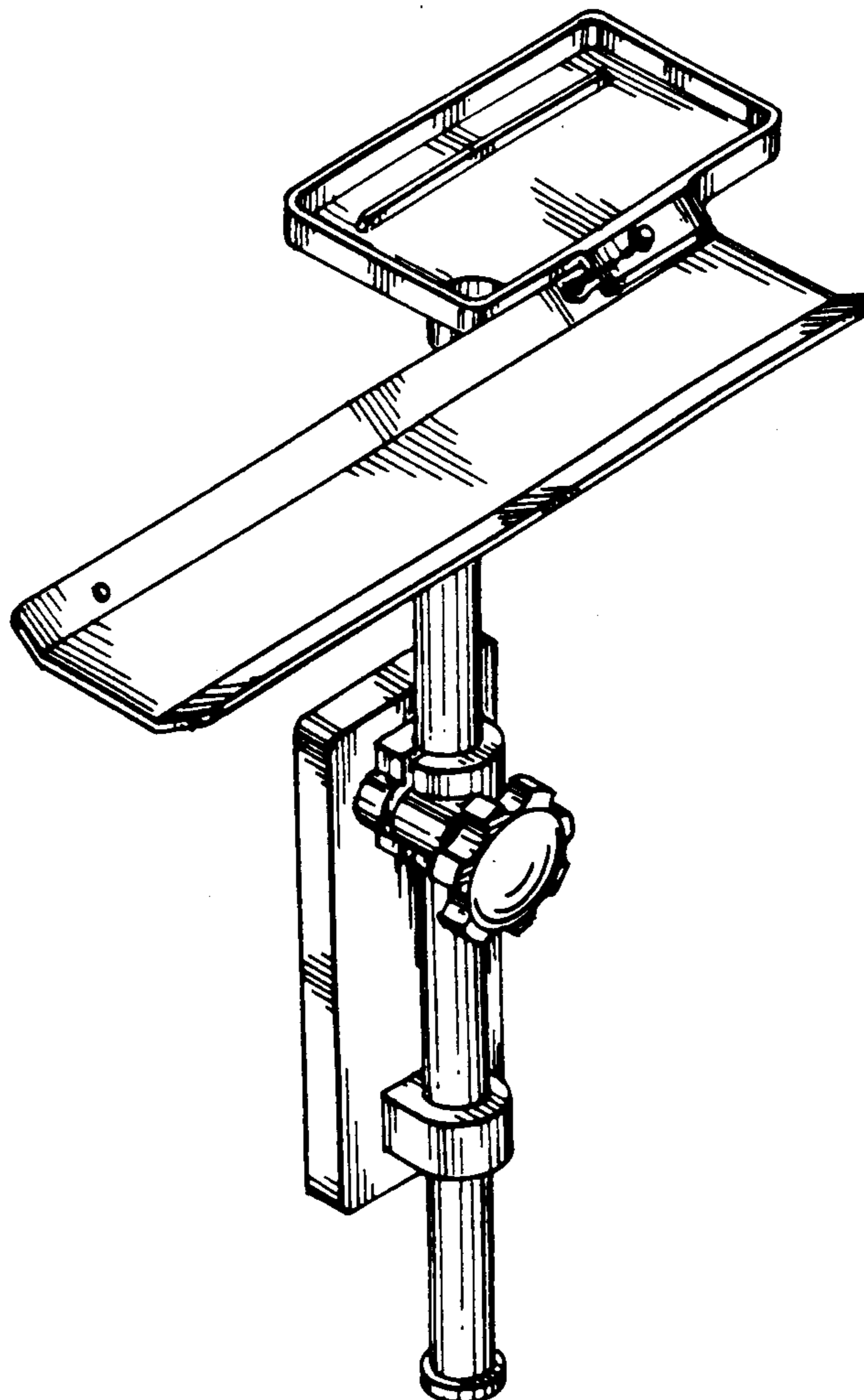
Primary Examiner—Bruce W. Dunkins
Assistant Examiner—Janice E. Seeger
Attorney, Agent, or Firm—Ward Brown; Robert W. Beach

CLAIM

[57] The ornamental design for an adjustable arm rest attachment, as shown and described.

DESCRIPTION

FIG. 1 is a perspective view of an adjustable arm rest attachment, showing my new design;
FIG. 2 is a front elevational view thereof;
FIG. 3 is a top plan view thereof;
FIG. 4 is a rear elevational view thereof;
FIG. 5 is a side elevational view taken from the left in FIG. 1 thereof;
FIG. 6 is a bottom plan view thereof; and
FIG. 7 is a perspective view of an adjustable arm rest attachment showing a second embodiment of my new design.



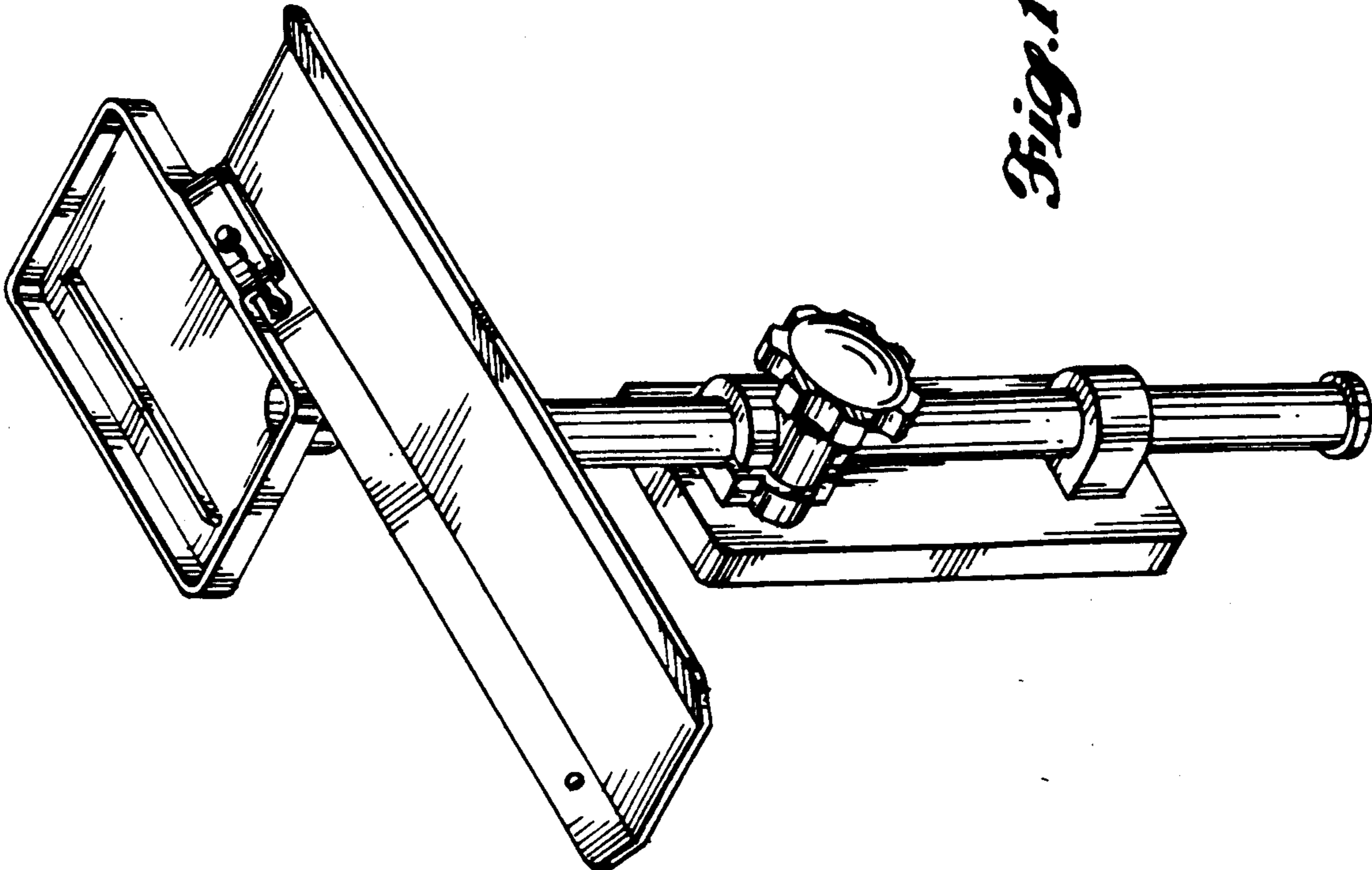


Fig. 1.

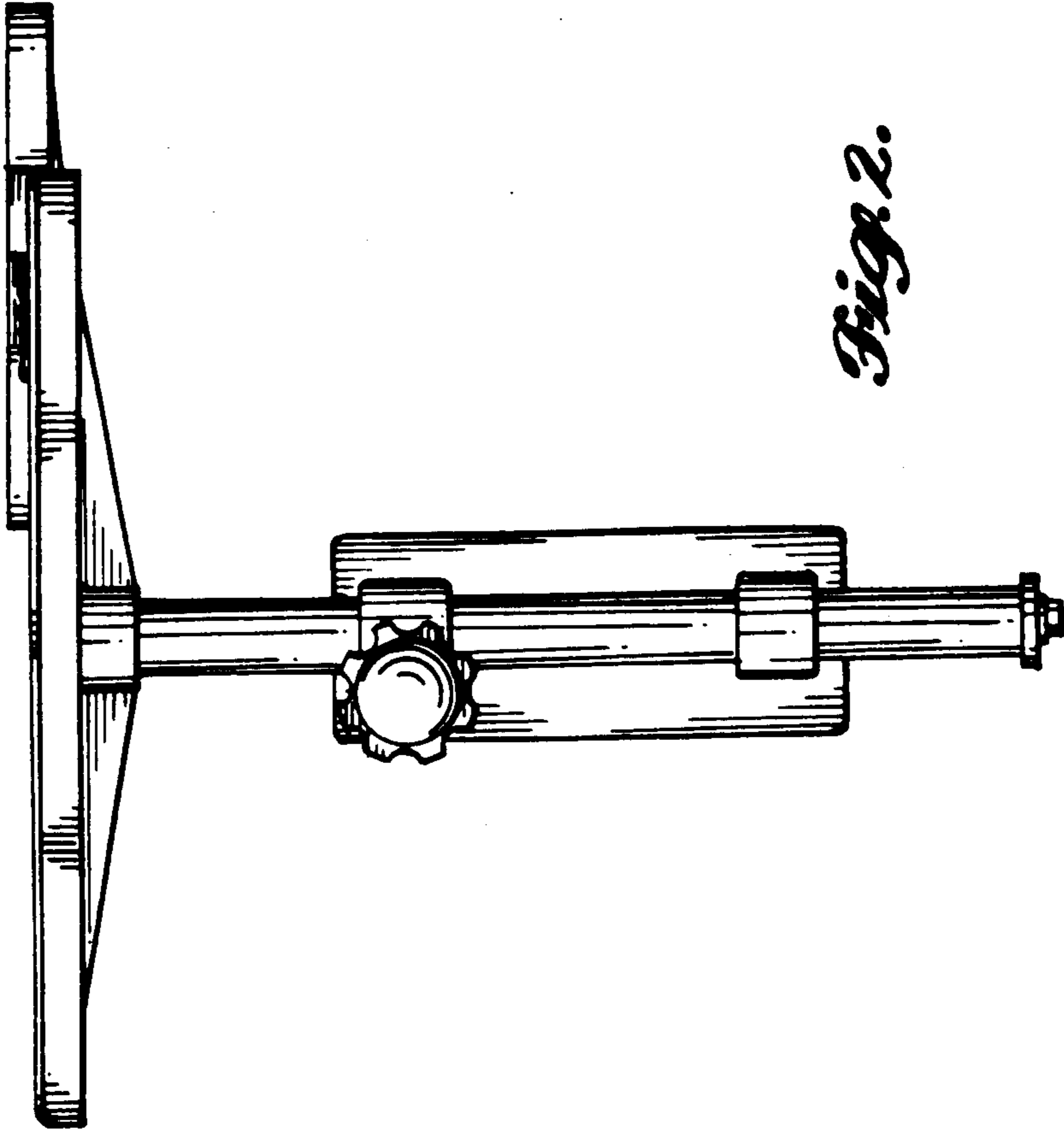


Fig. 2.

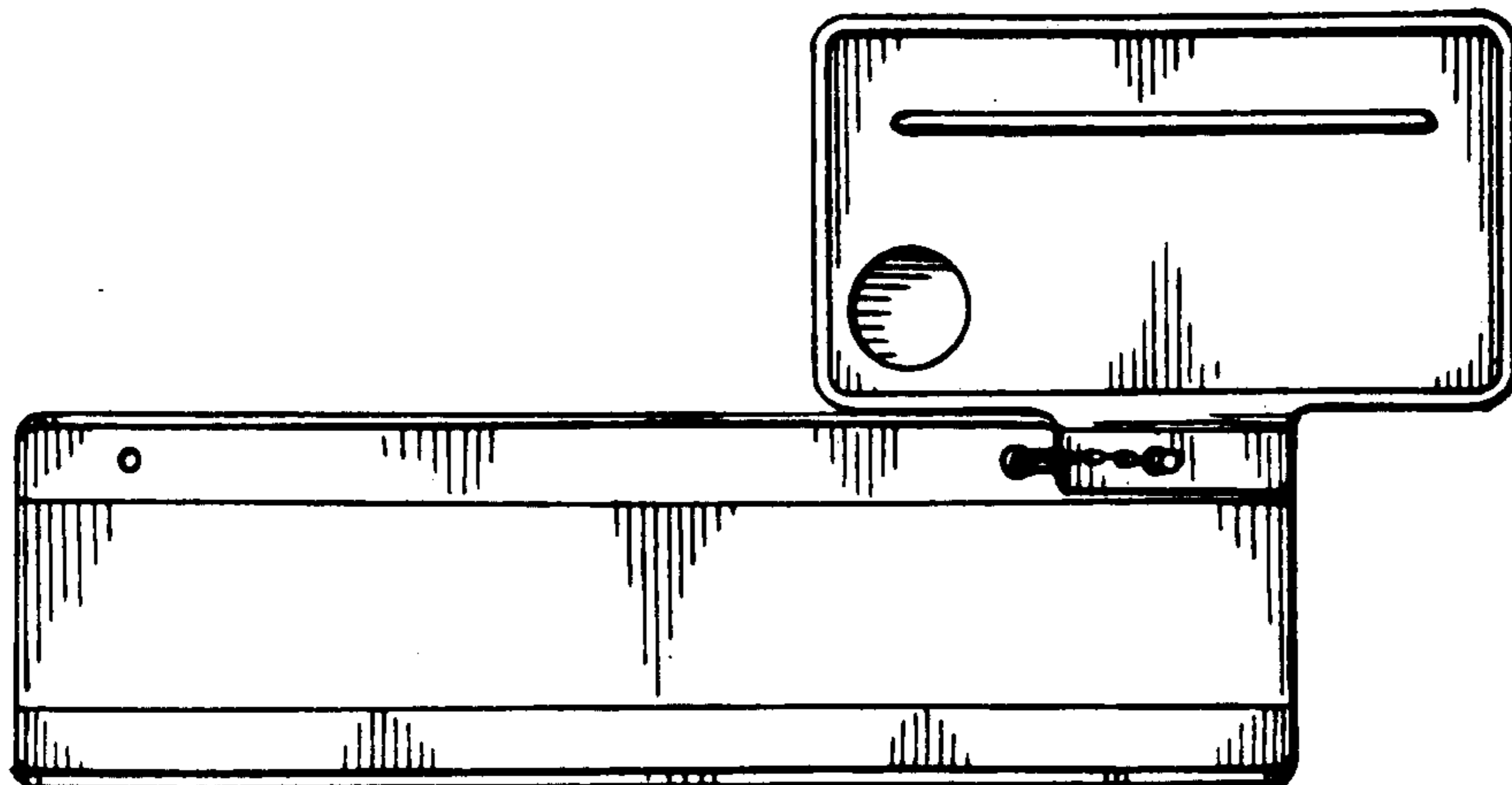


Fig. 3.

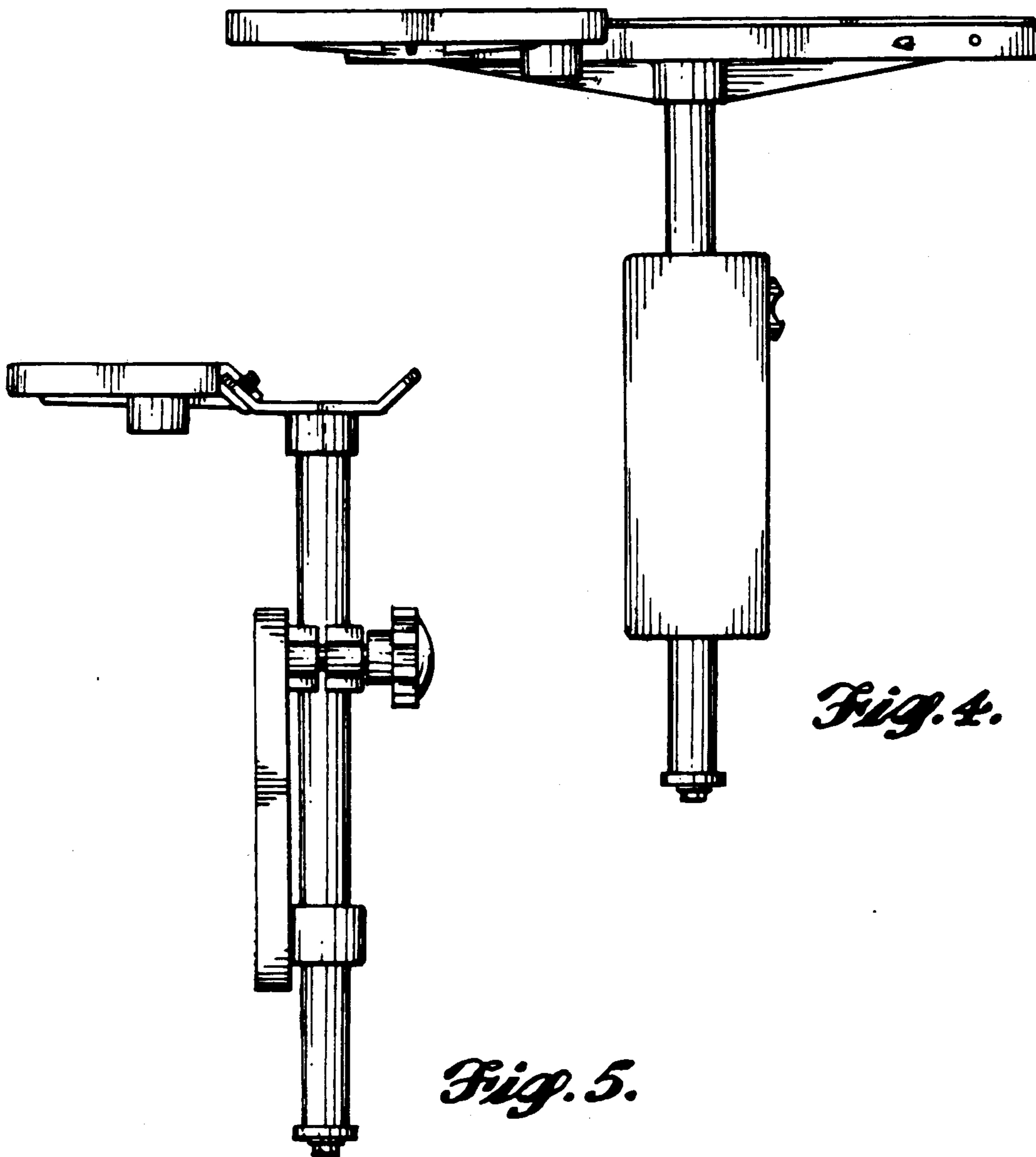


Fig. 4.

Fig. 5.

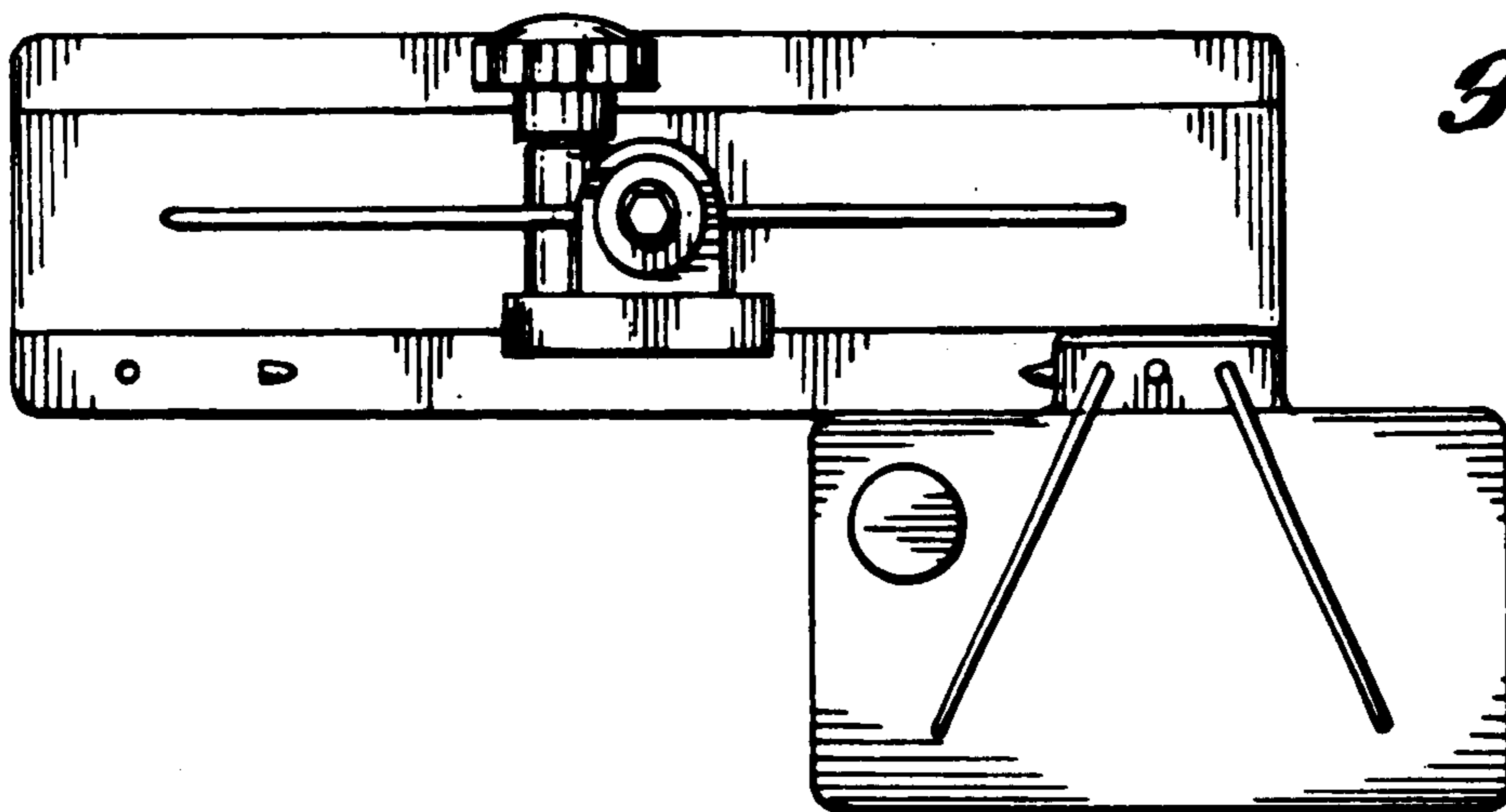


Fig. 6.

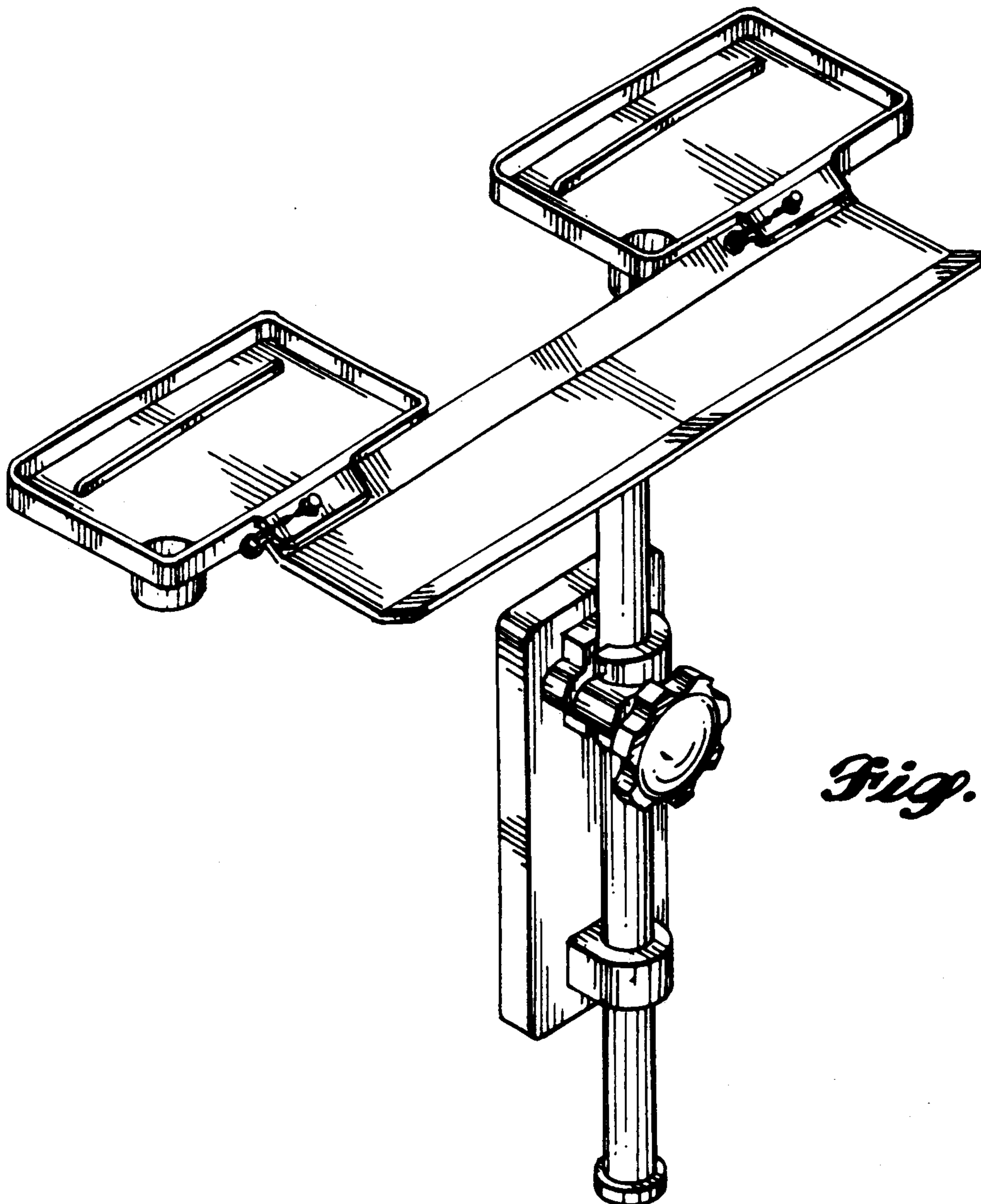


Fig. 7.