

[54] **CHAIR CONTROL**

[75] **Inventor: Earl H. Koepke, Sturgis, Mich.**

[73] **Assignee: Leggett & Platt, Incorporated, Carthage, Mo.**

[**] **Term: 14 Years**

[21] **Appl. No.: 211,407**

[22] **Filed: Jun. 24, 1988**

[52] **U.S. Cl. D6/500; D6/366**

[58] **Field of Search D6/491, 495, 496, 498, D6/499, 366; 297/300, 292, 285; 248/608**

[56] **References Cited**

U.S. PATENT DOCUMENTS

2,818,911	1/1958	Syak .	
3,480,249	11/1969	Lie .	
3,627,252	12/1971	Yamaguchi .	
4,533,177	8/1985	Latone	297/285 X
4,555,085	11/1985	Bauer et al. .	
4,707,029	11/1987	Korn	297/300
4,711,491	12/1987	Ginat .	
4,758,045	7/1988	Edel et al.	297/300
4,796,950	1/1989	Mrotz, III et al.	248/608 X

OTHER PUBLICATIONS

Interiors, May 1984, p. 19, Herman Miller, Chair.

Sketch of Herman Miller, Knee-Action Chair Control Mechanism.

Brochure excerpt of "Equa" chair by Herman Miller. "Buhk 100" Chair from *Contract*, 1987, p. 124.

"Catalyst" Chair of Haworth, from *Interiors*, May 1987, p. 128 and unnumbered page containing photograph of Chair.

"Model 788" Chair Mechanism of Collier-Keyworth Company, from brochure excerpt.

Primary Examiner—Bruce W. Dunkins

Assistant Examiner—Janice E. Seeger

Attorney, Agent, or Firm—Wood, Herron & Evans

[57] **CLAIM**

The ornamental design for a chair control, as shown and described.

DESCRIPTION

FIG. 1 is a side elevational view of a chair control, showing my new design;

FIG. 2 is a top perspective view, on an enlarged scale;

FIG. 3 is bottom perspective view, on an enlarged scale;

FIG. 4 is a top plan view, on an enlarged scale;

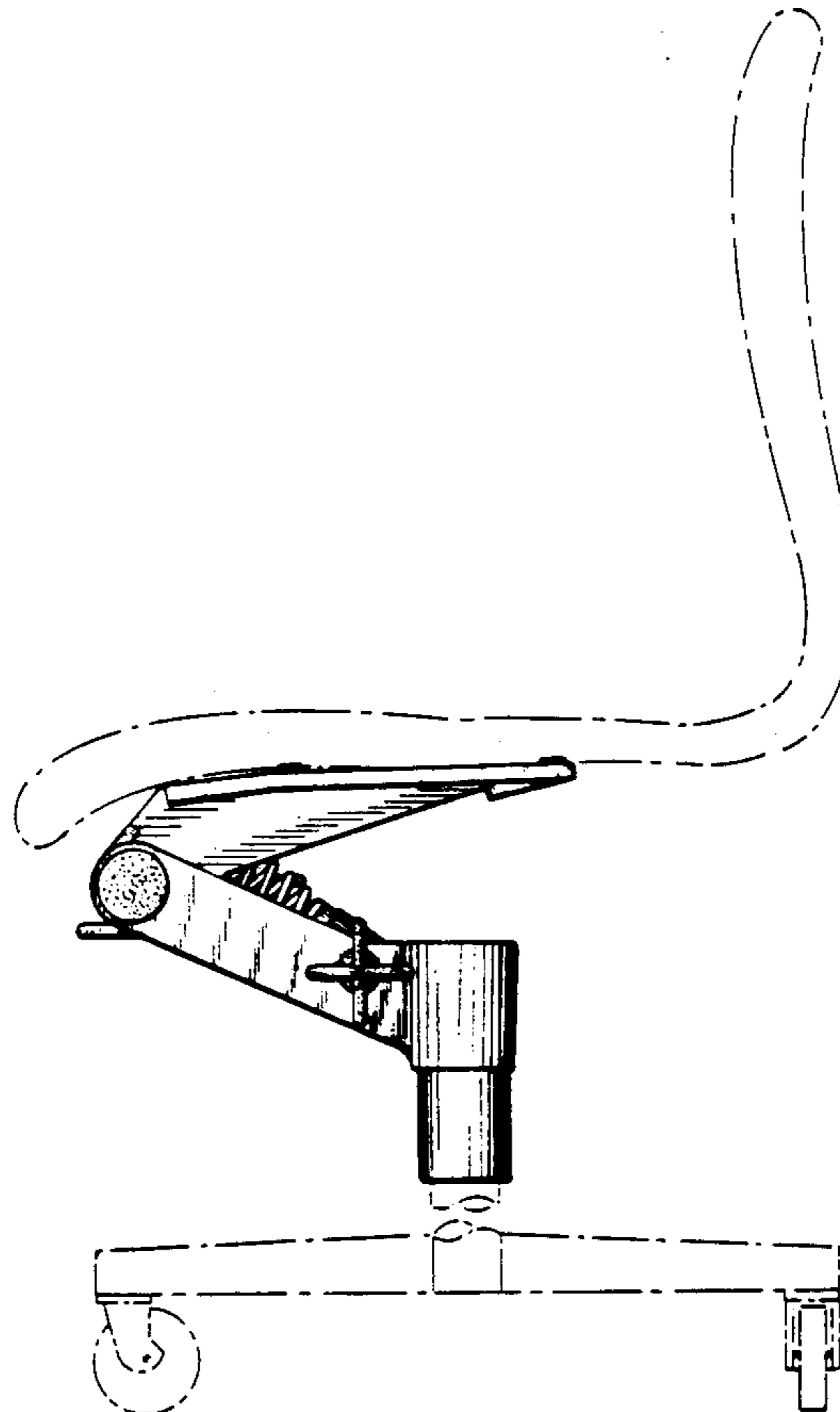
FIG. 5 is an elevational view showing the side not shown in FIG. 1, on an enlarged scale;

FIG. 6 is a front elevational view, on an enlarged scale;

FIG. 7 is a rear elevational view, on an enlarged scale; and

FIG. 8 is a bottom plan view, on an enlarged scale.

The broken lines are for illustrative purposes only.



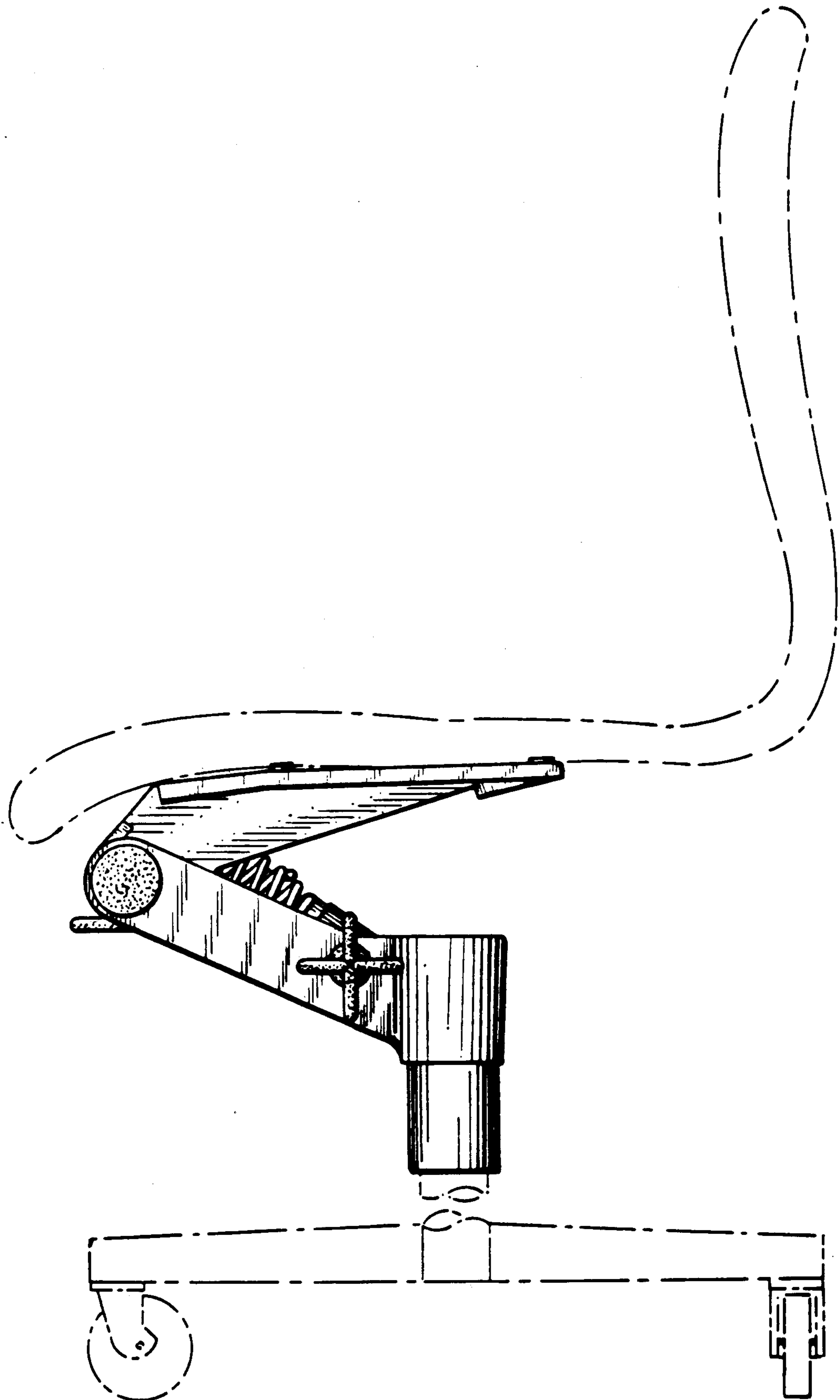


FIG. 1

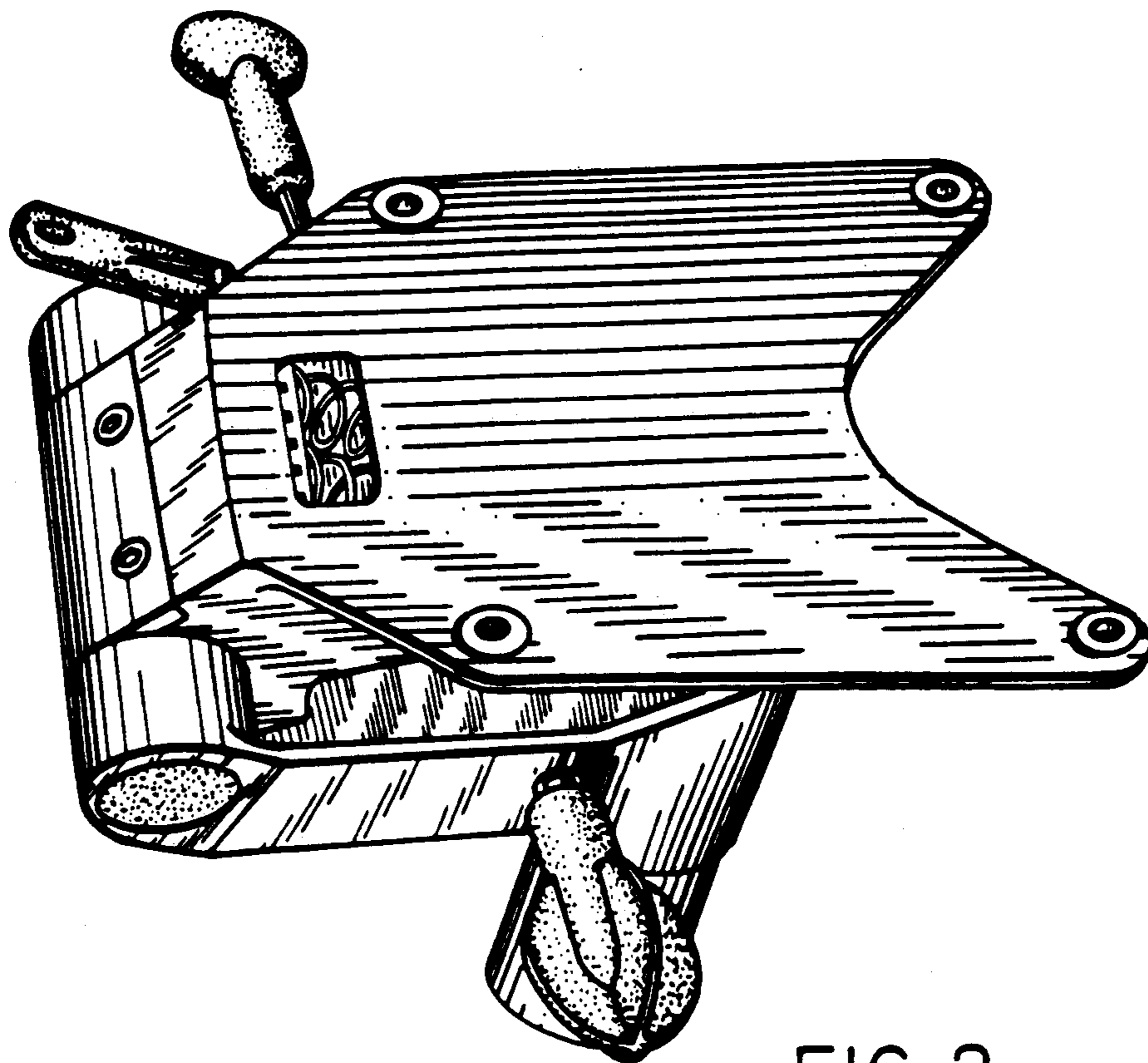


FIG. 2

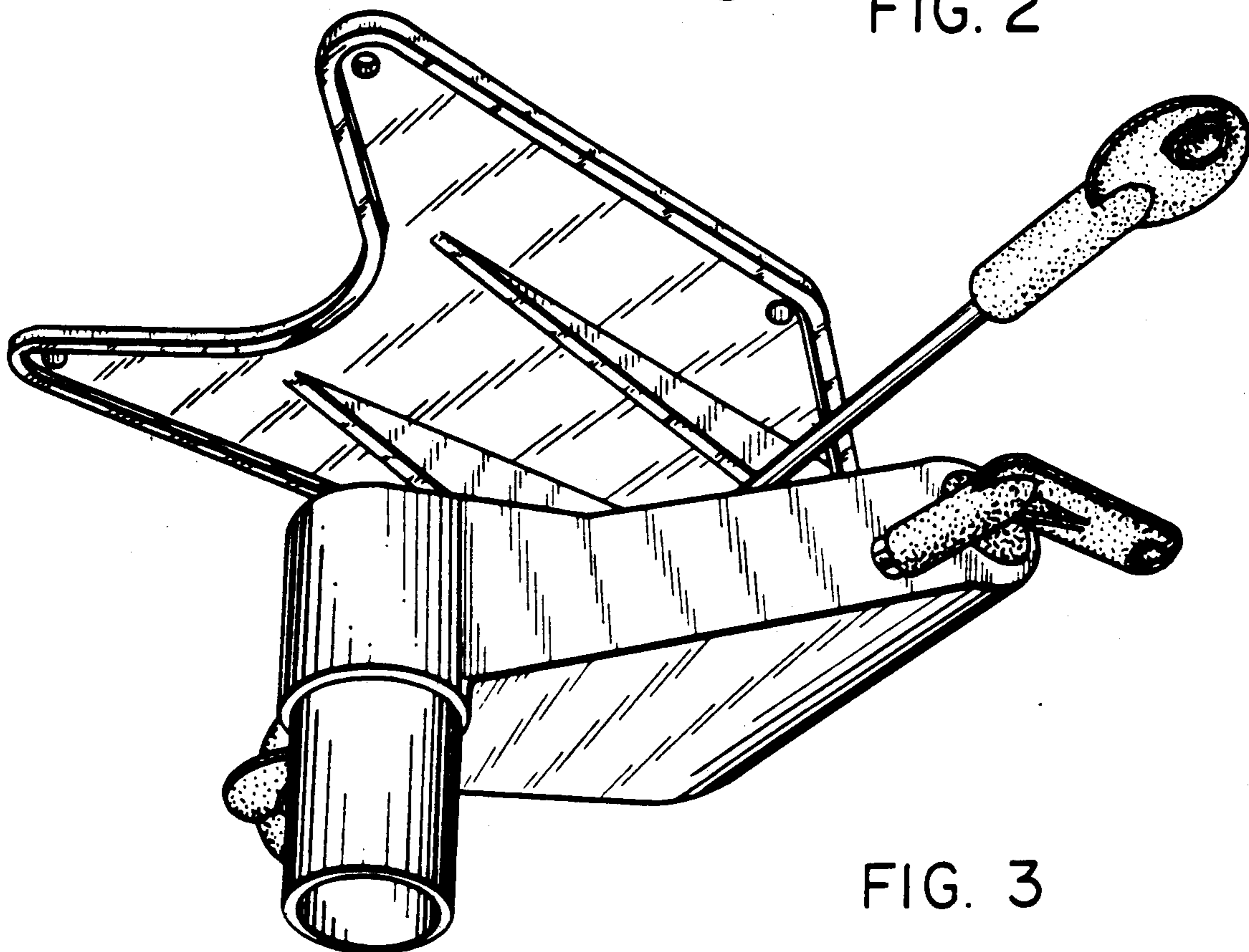


FIG. 3

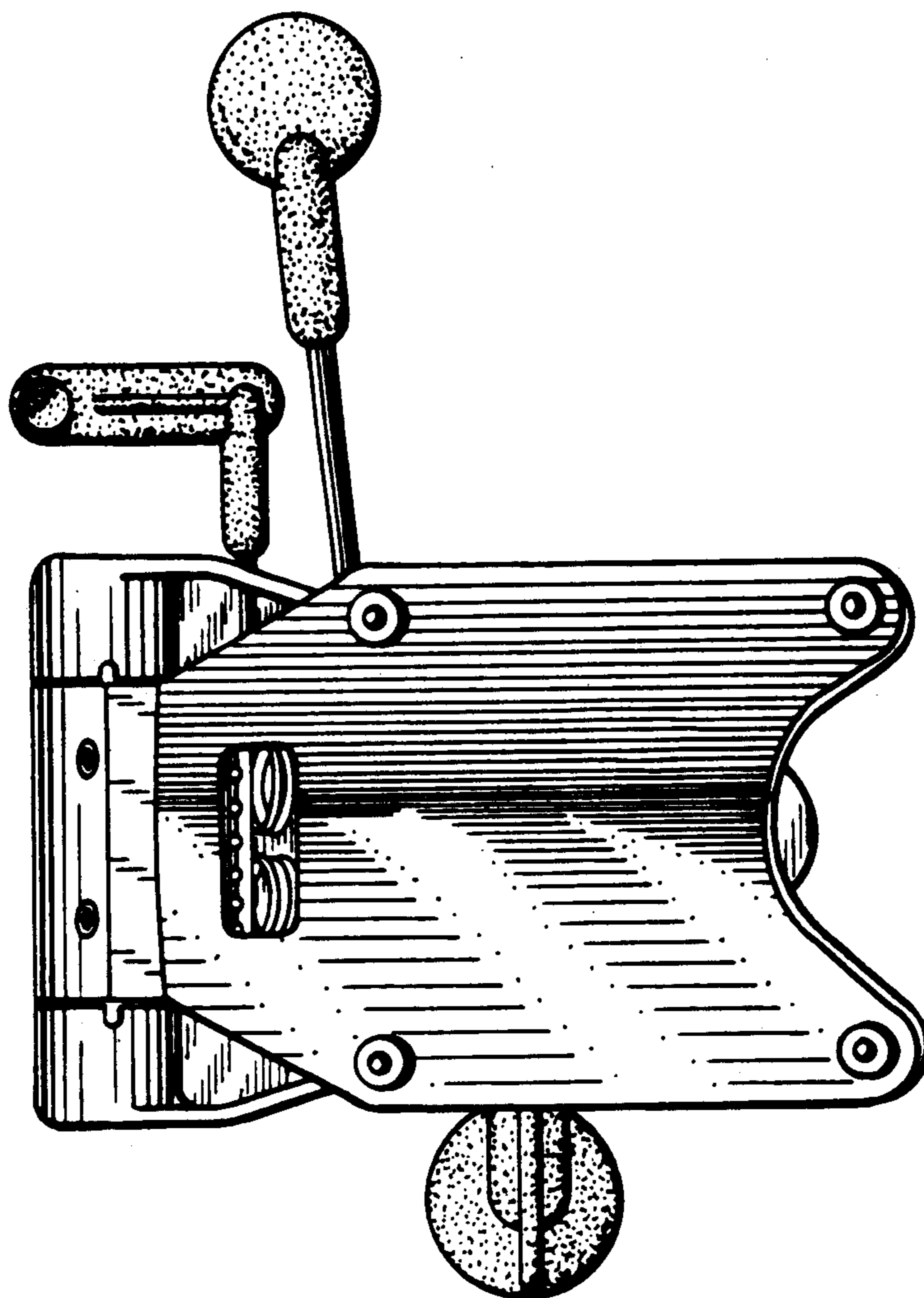


FIG. 4

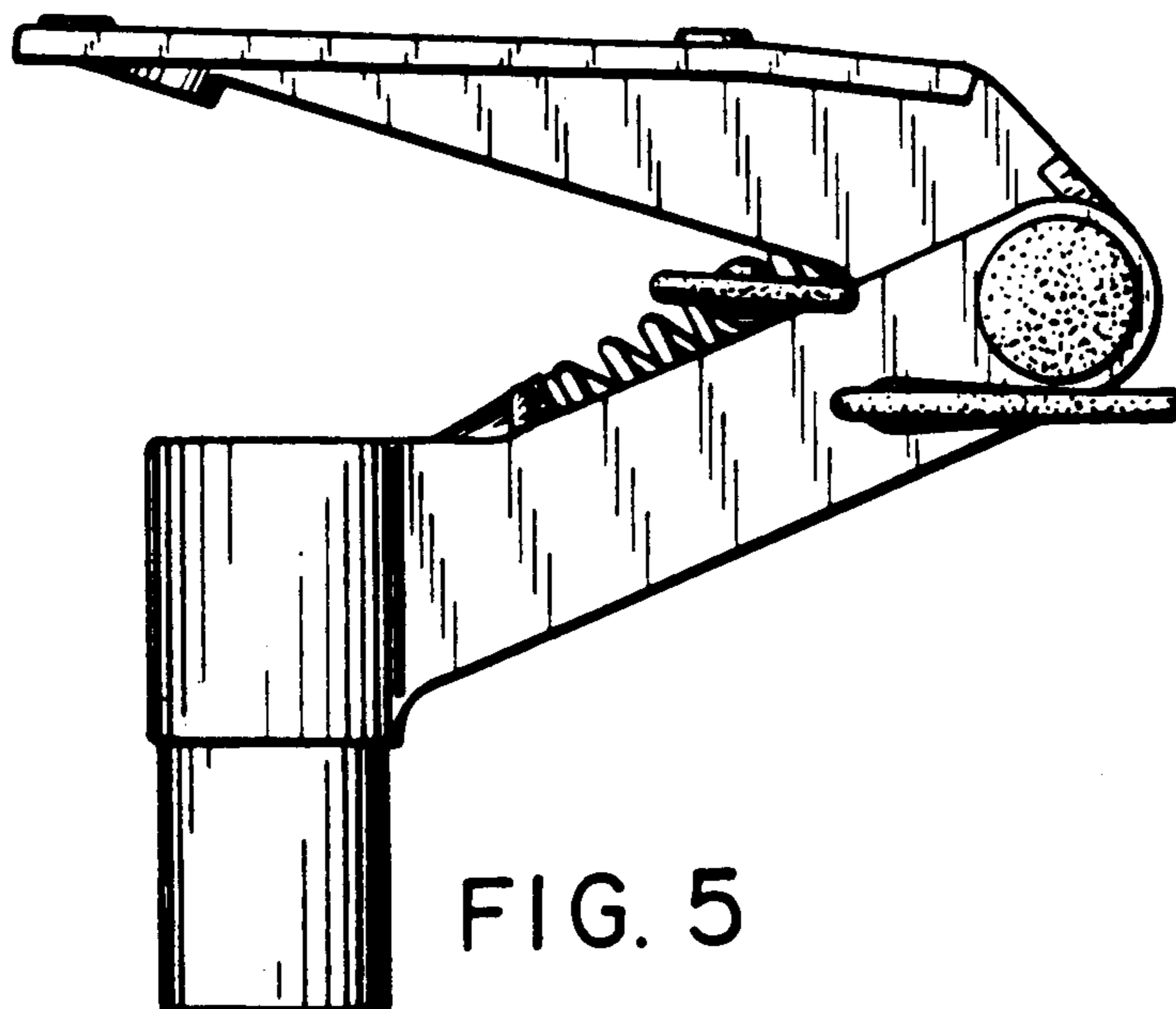


FIG. 5

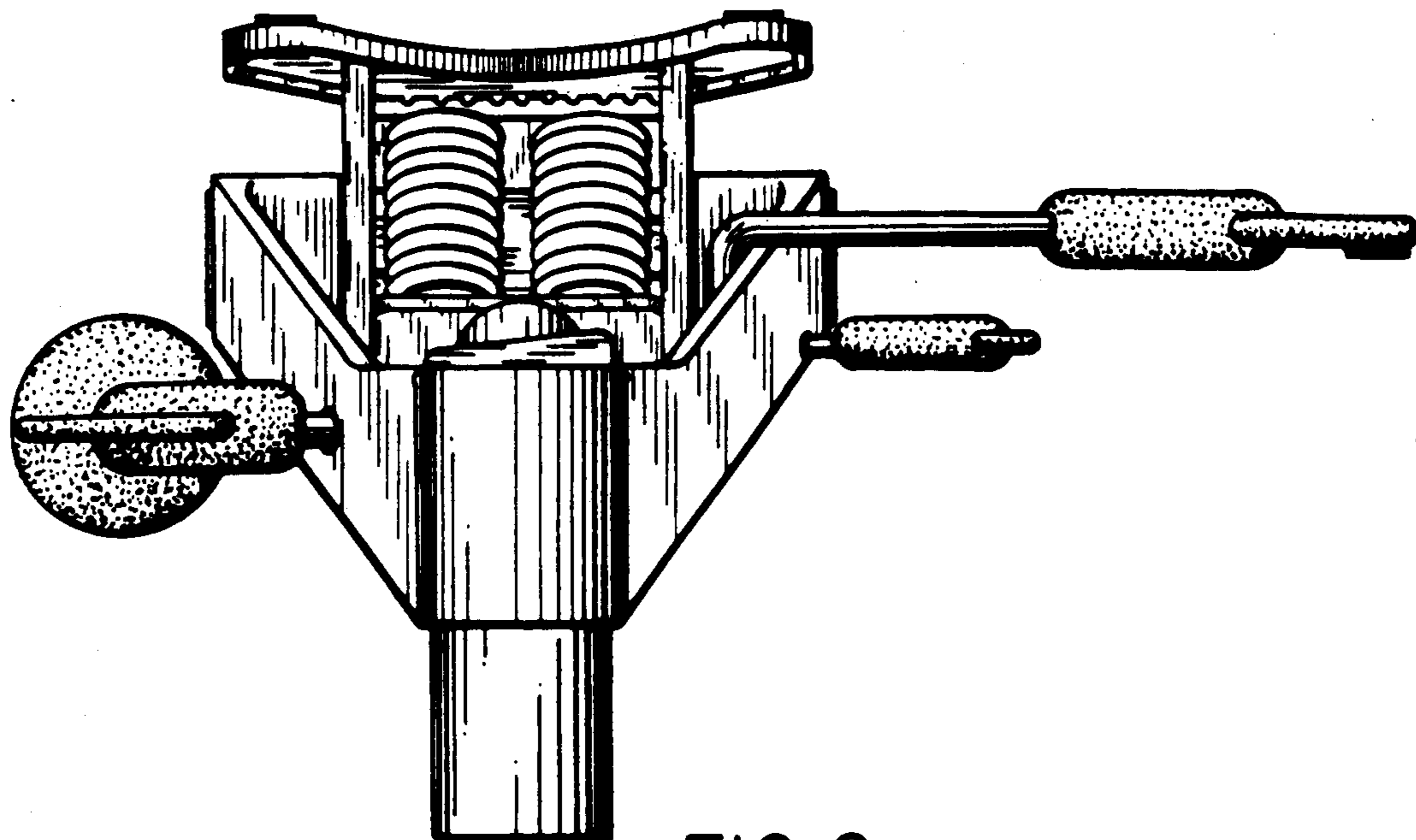


FIG. 6

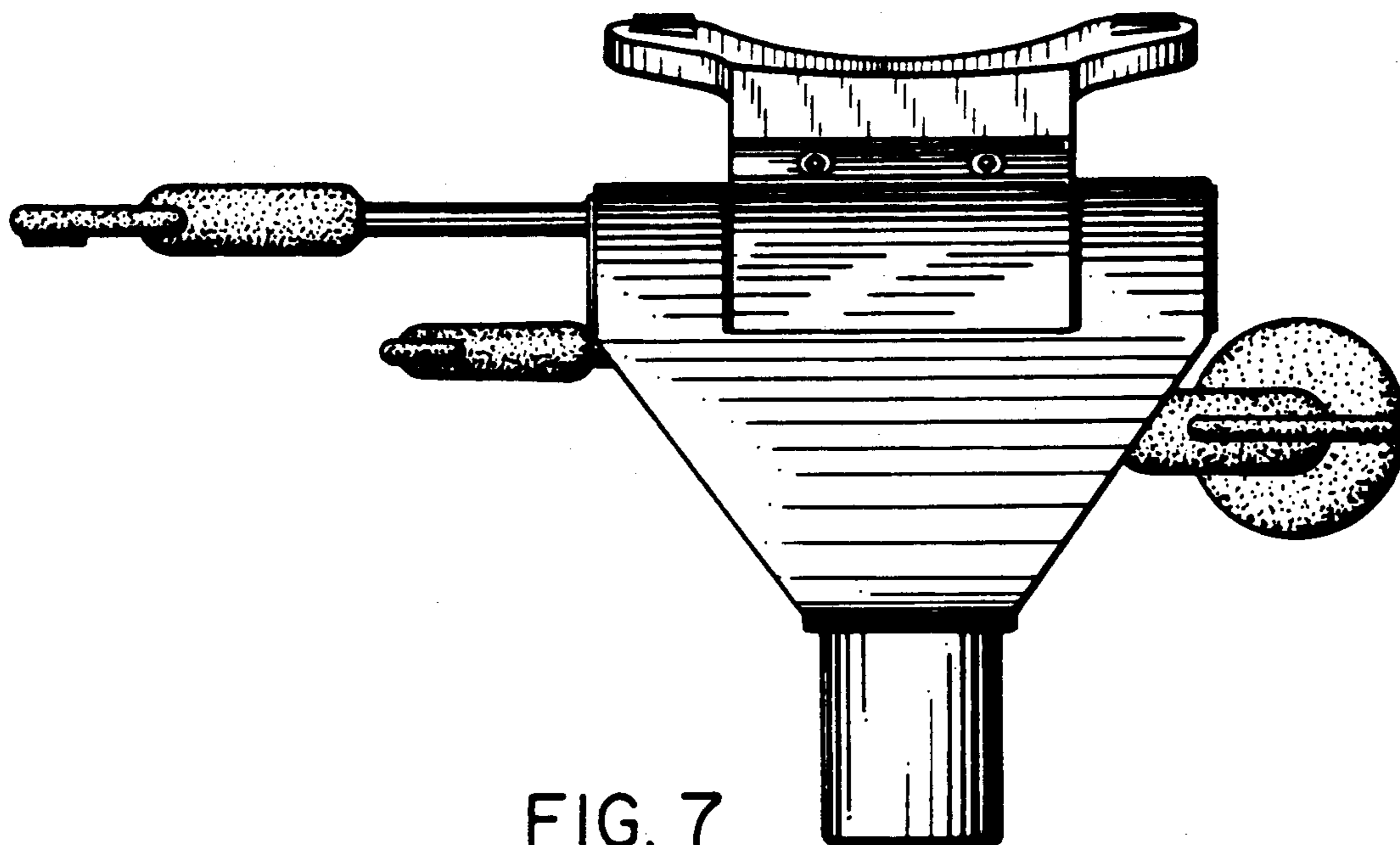


FIG. 7

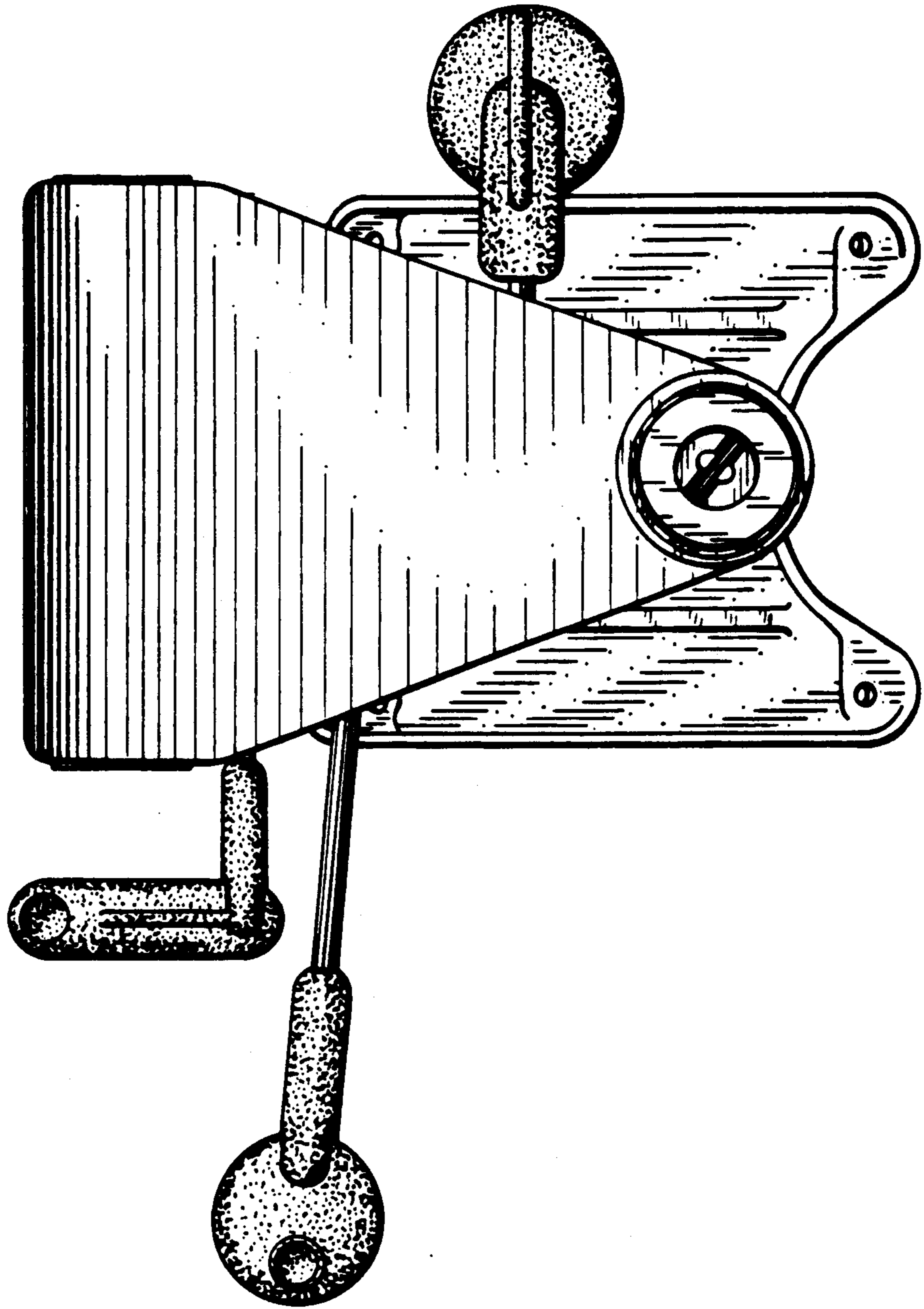


FIG. 8