

# United States Patent [19]

Keller

[11] Patent Number: **Des. 318,587**

[45] Date of Patent: **\*\* Jul. 30, 1991**

[54] FURNITURE TOP

[75] Inventor: **H. Thomas Keller, High Point, N.C.**

[73] Assignee: **Bernhardt Furniture Company, Inc., Lenoir, N.C.**

[\*\*] Term: **14 Years**

[21] Appl. No.: **205,803**

[22] Filed: **Jun. 13, 1988**

[52] U.S. Cl. .... **D6/491; D25/52**

[58] Field of Search ..... **D6/491, 495, 496, 498, D6/499, 436, 438, 439; D25/52**

[56] **References Cited**

**U.S. PATENT DOCUMENTS**

D. 98,484	2/1936	Stern .....	D6/439 X
D. 98,551	2/1936	Stern .....	D6/436
D. 223,209	3/1972	Adkinson .....	D6/438
D. 227,845	7/1973	Adkinson .....	D6/439
D. 248,911	8/1978	Handel .....	D6/438
D. 268,311	3/1983	De Persia .....	D6/433

D. 300,466	3/1989	Widner .....	D25/52 X
D. 303,328	9/1989	Syme et al. ....	D6/436 X

**OTHER PUBLICATIONS**

Standard Design Book, p. 53, Transom #72.

*Primary Examiner*—Bruce W. Dunkins

*Assistant Examiner*—Janice E. Seeger

*Attorney, Agent, or Firm*—Rhodes, Coats & Bennett

[57] **CLAIM**

The ornamental design for furniture top, as shown and described.

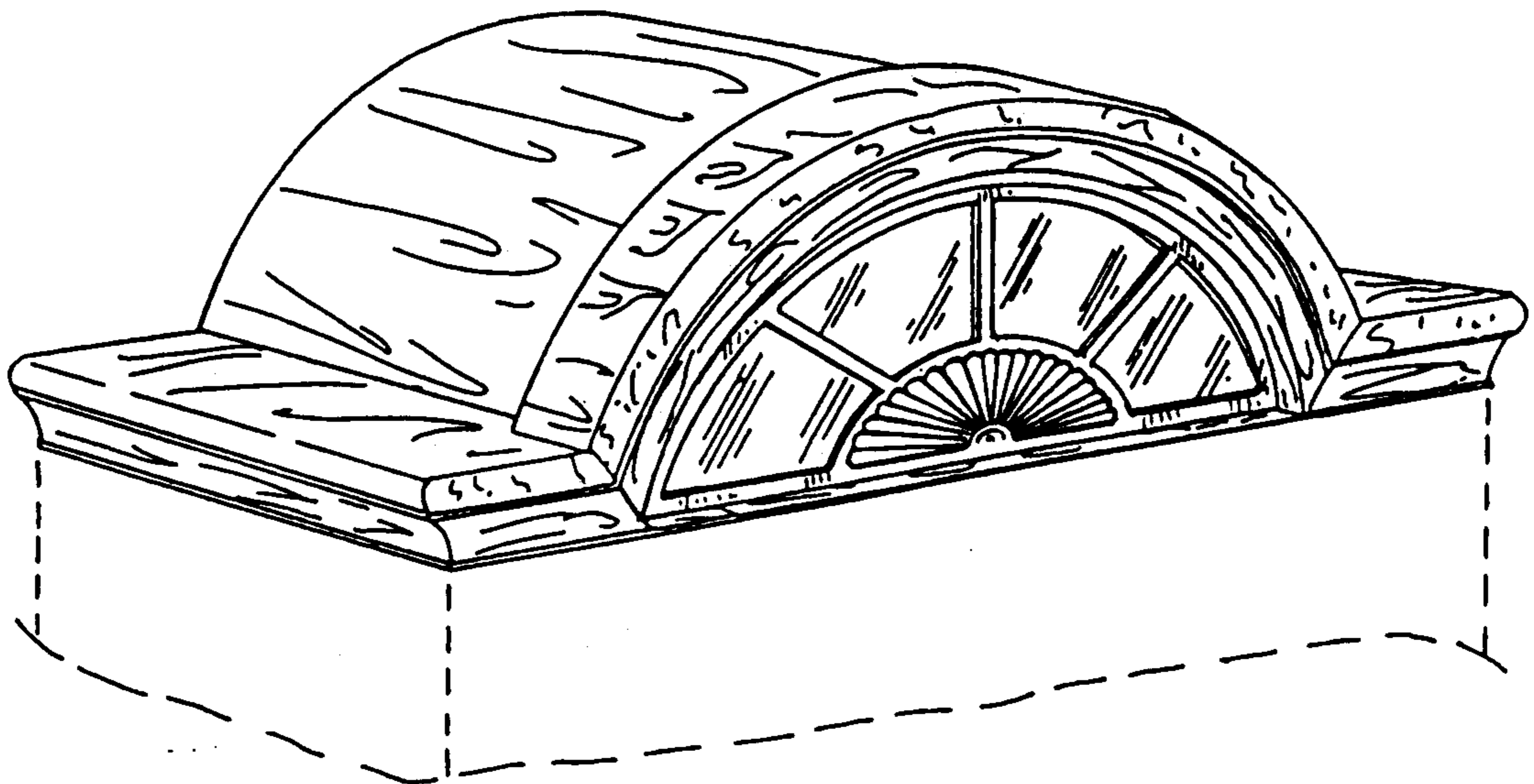
**DESCRIPTION**

FIG. 1 is a perspective view of a furniture top showing my new design;

FIG. 2 is a front elevational view; and

FIG. 3 is a right side elevational view, the left side being a mirror image thereof.

The broken lines are for illustrative purposes only. No illustration of the rear and bottom are shown, as they are plain and unadorned.



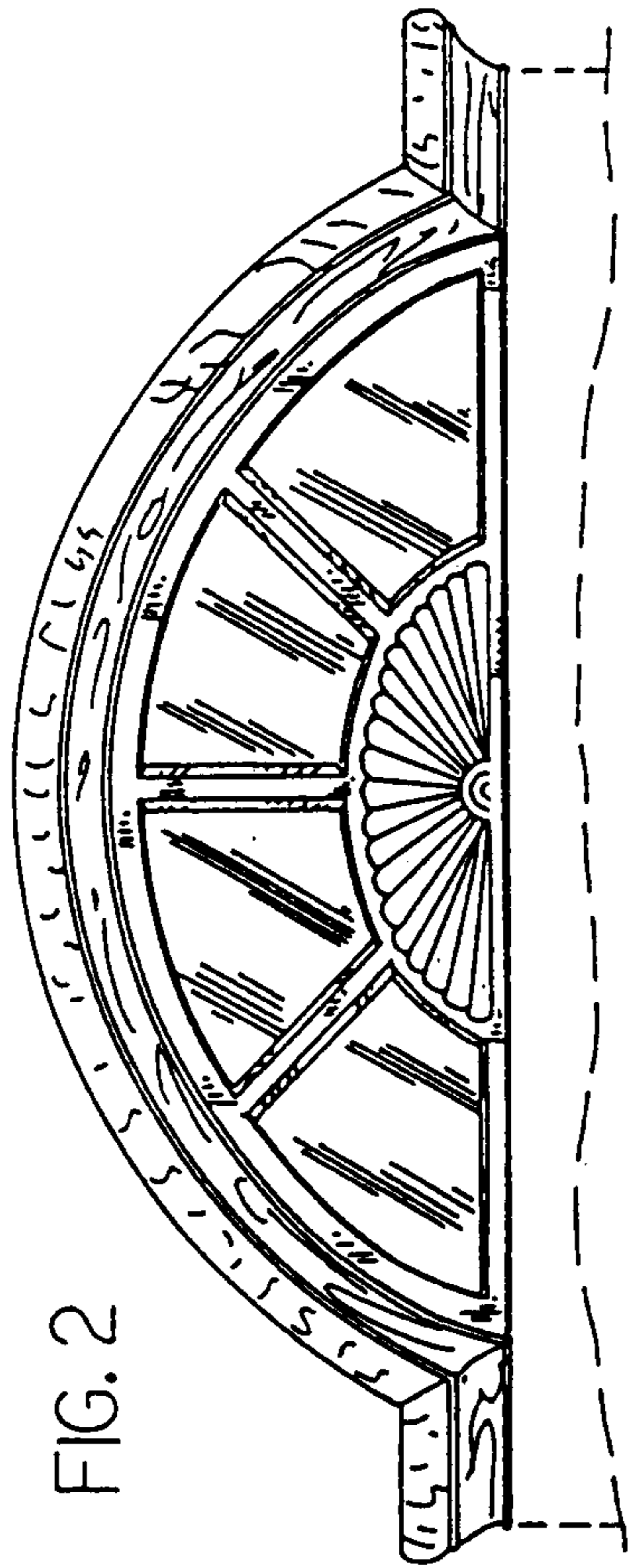


FIG. 2

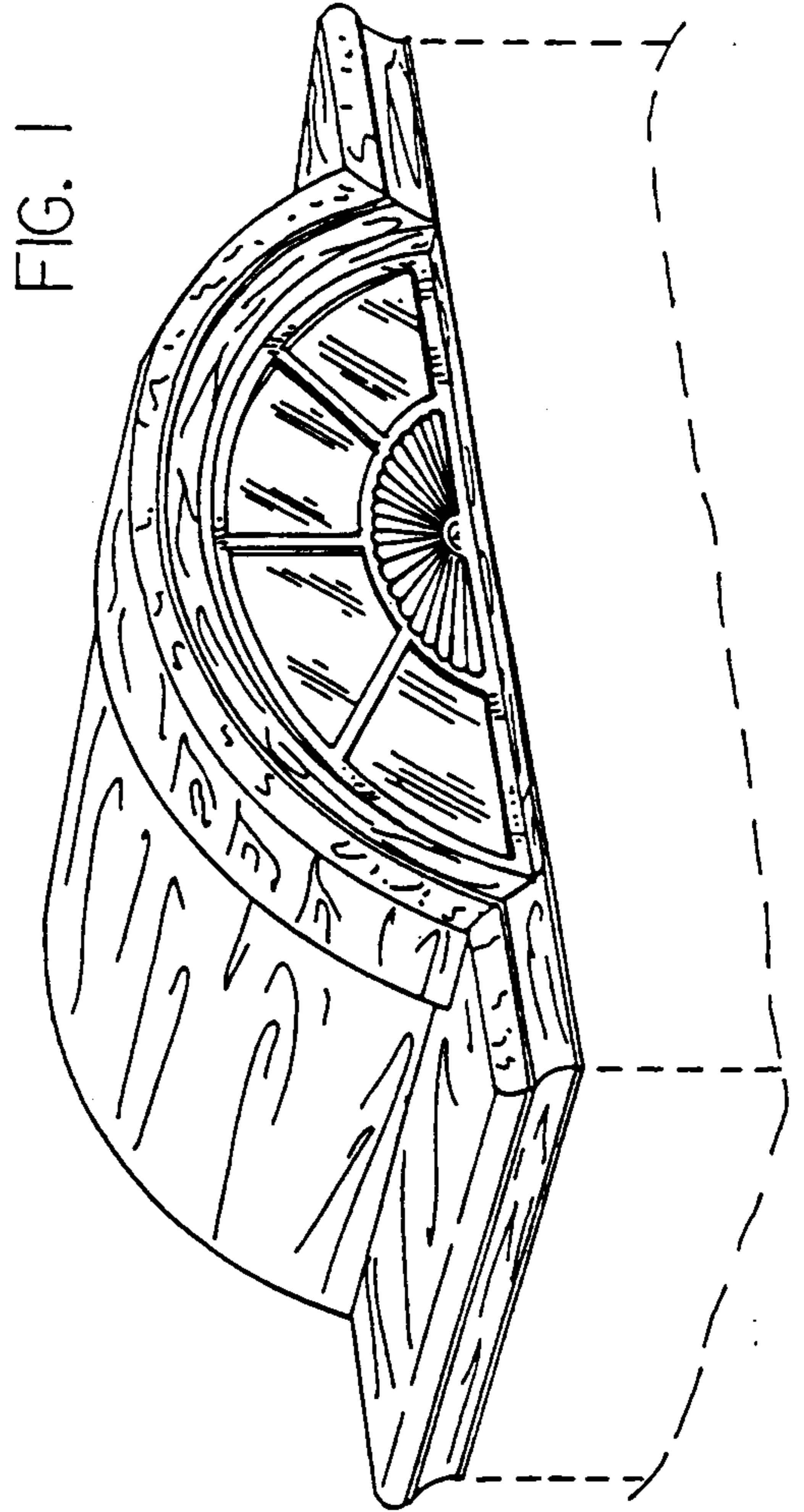


FIG. 1

FIG. 3

