

[54] VIDEO CART

[76] Inventor: Ronald J. Rousso, 5420 W. 83rd St., Los Angeles, Calif. 90045

[\*\*] Term: 14 Years

[21] Appl. No.: 177,395

[22] Filed: Apr. 4, 1988

[52] U.S. Cl. .... D6/479; D6/335; D34/21

[58] Field of Search ..... D6/477, 478, 479, 449, D6/455, 461, 474, 483, 475, 480, 484, 464; D34/21

[56] References Cited

U.S. PATENT DOCUMENTS

- D. 134,389 11/1942 Waltman ..... D6/461
- D. 174,030 2/1955 French ..... D6/483 X
- D. 176,490 1/1956 Adler ..... D6/474
- D. 179,079 10/1956 Hopper ..... D6/474
- D. 180,001 4/1957 Wilson ..... D6/483 X

- D. 226,647 4/1973 Longato ..... D6/475
- D. 277,532 2/1985 Duhamel ..... D6/475 X
- D. 287,315 12/1986 Ginoues ..... D6/335
- 4,181,352 1/1980 Bumpos ..... D6/478 X

Primary Examiner—Bruce W. Dunkins  
Assistant Examiner—Jeffery Asch  
Attorney, Agent, or Firm—Thomas I. Rozsa

[57] CLAIM

The ornamental design for a video cart, as shown and described.

DESCRIPTION

FIG. 1 is perspective view of a video cart, showing my new design.  
FIG. 2 is a top plan view on a reduced scale.  
FIG. 3 is a bottom plan view on a reduced scale.  
FIG. 4 is a front elevational view on a reduced scale.  
FIG. 5 is a rear elevational view on a reduced scale.  
FIG. 6 is a side elevational view on a reduced scale of the right side, with the left side being a mirror image thereof.

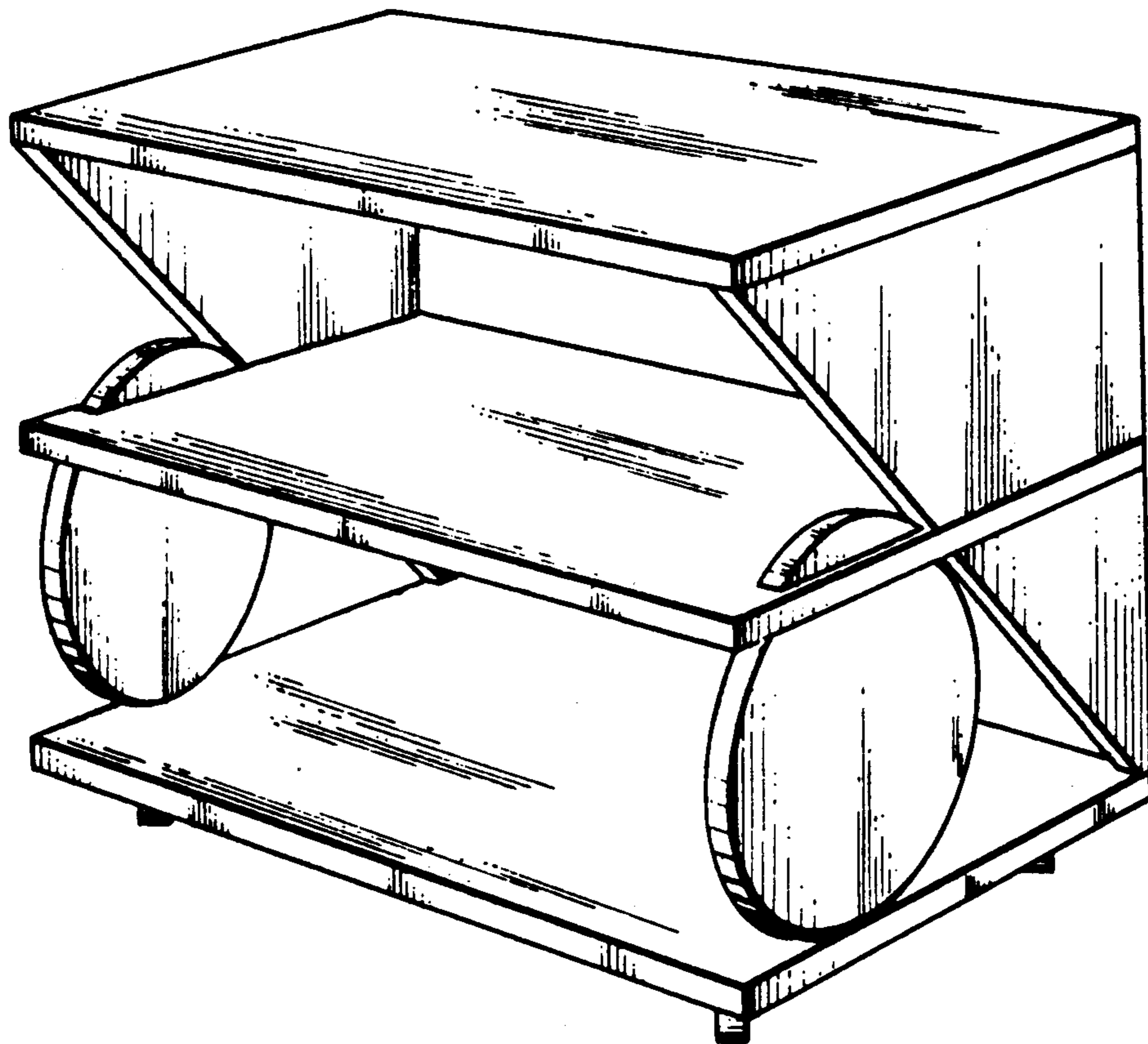


Fig. 1.

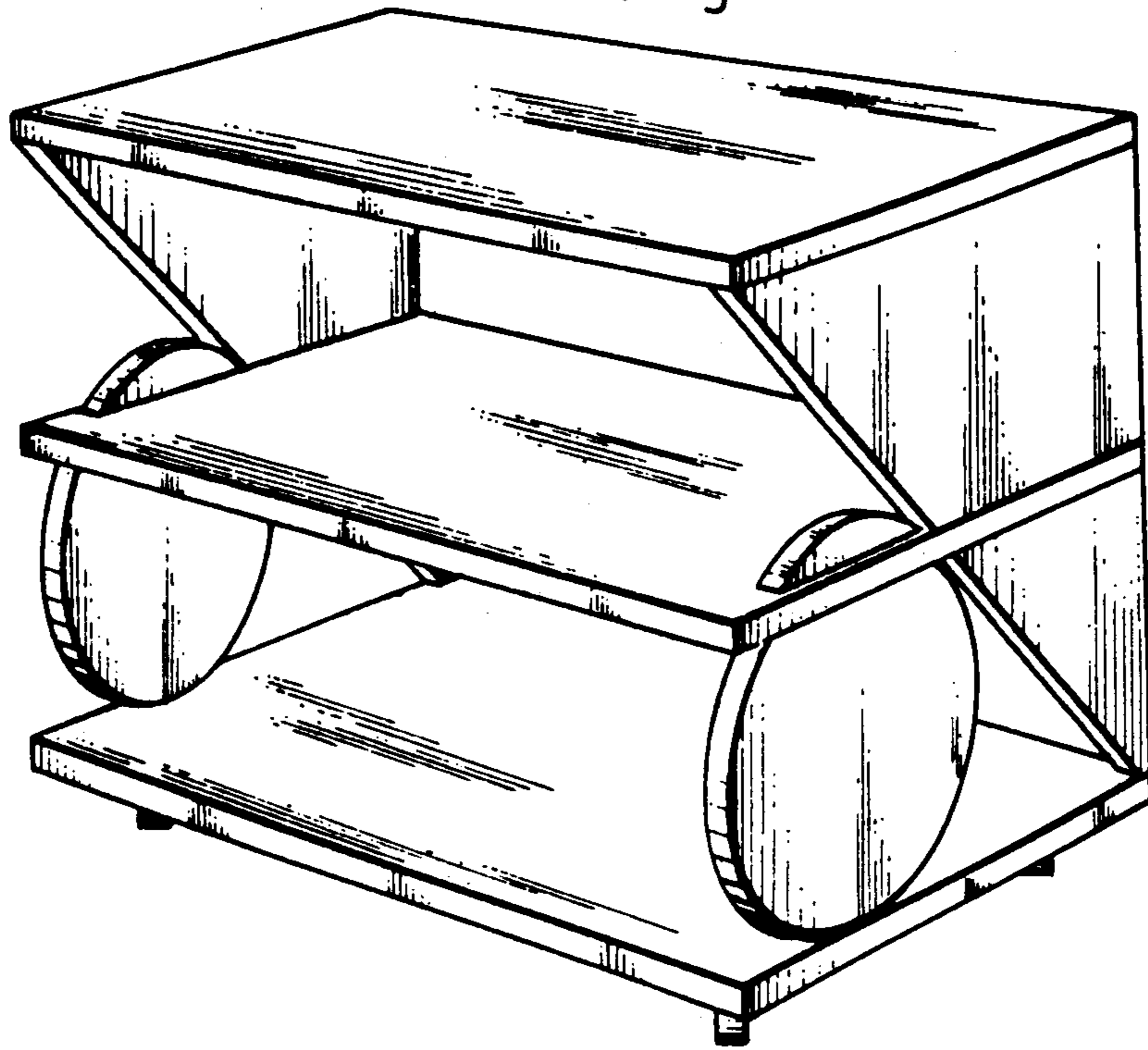


Fig. 2.

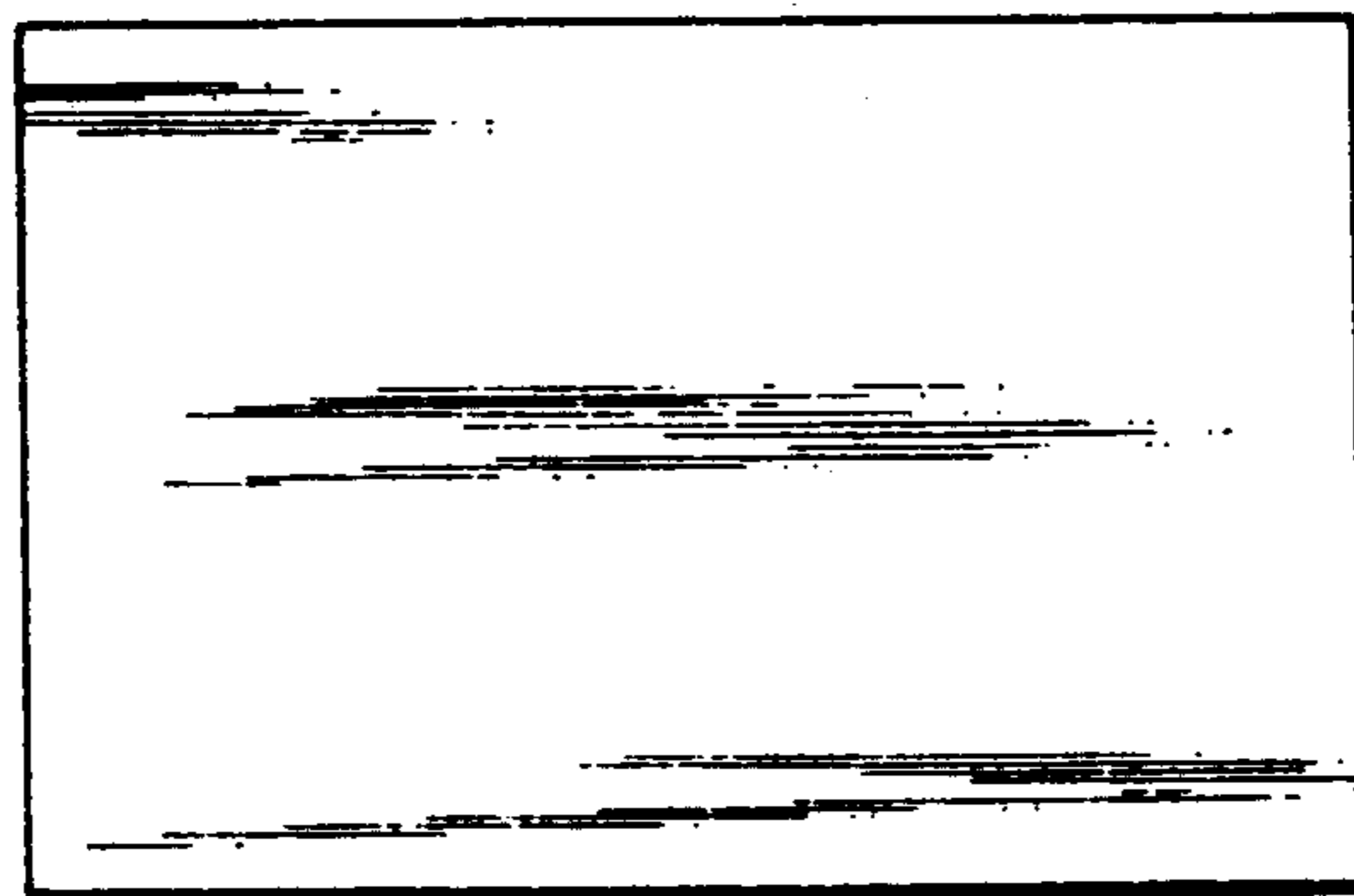


Fig. 3.

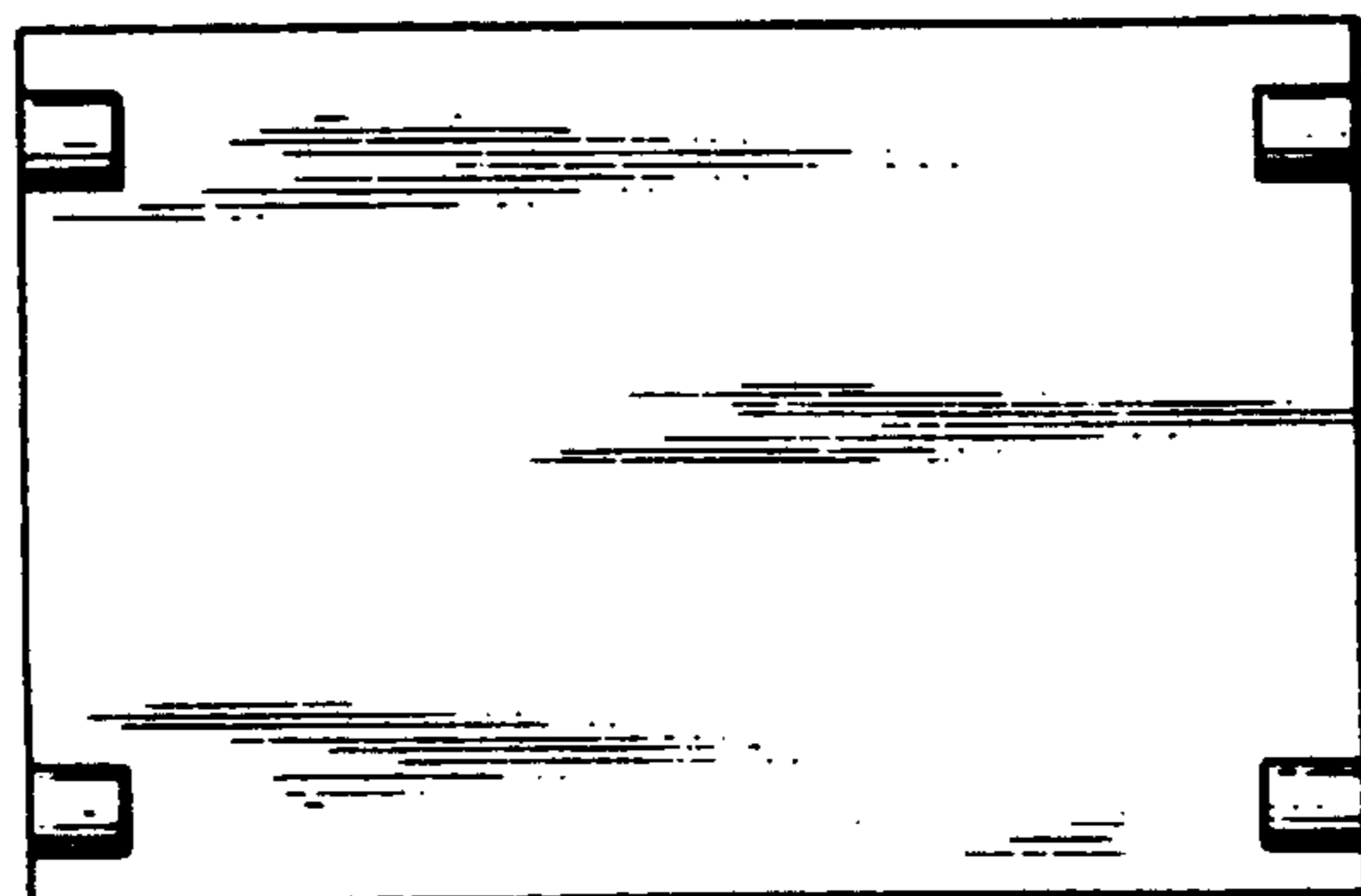


Fig. 4.

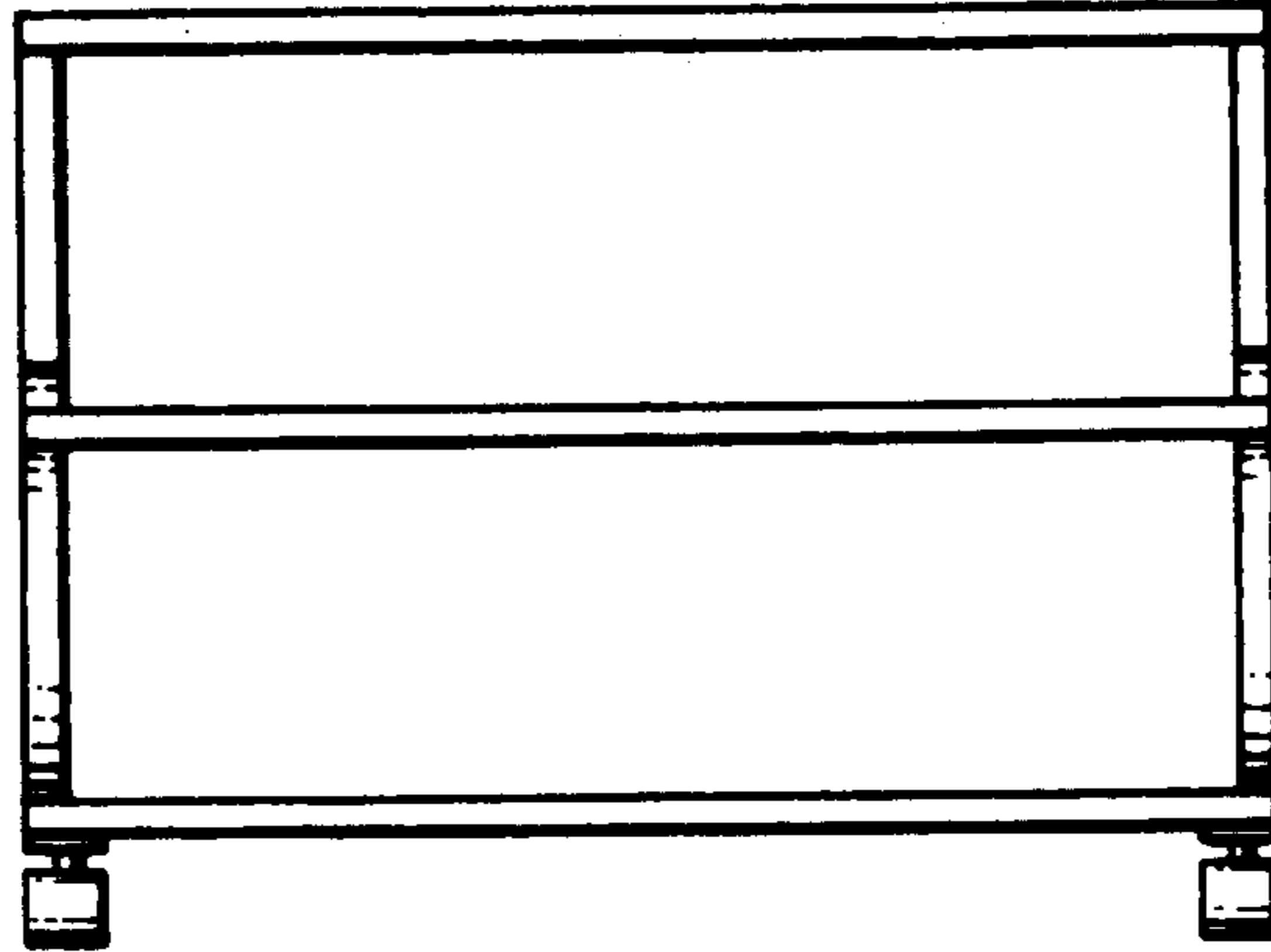


Fig. 5.

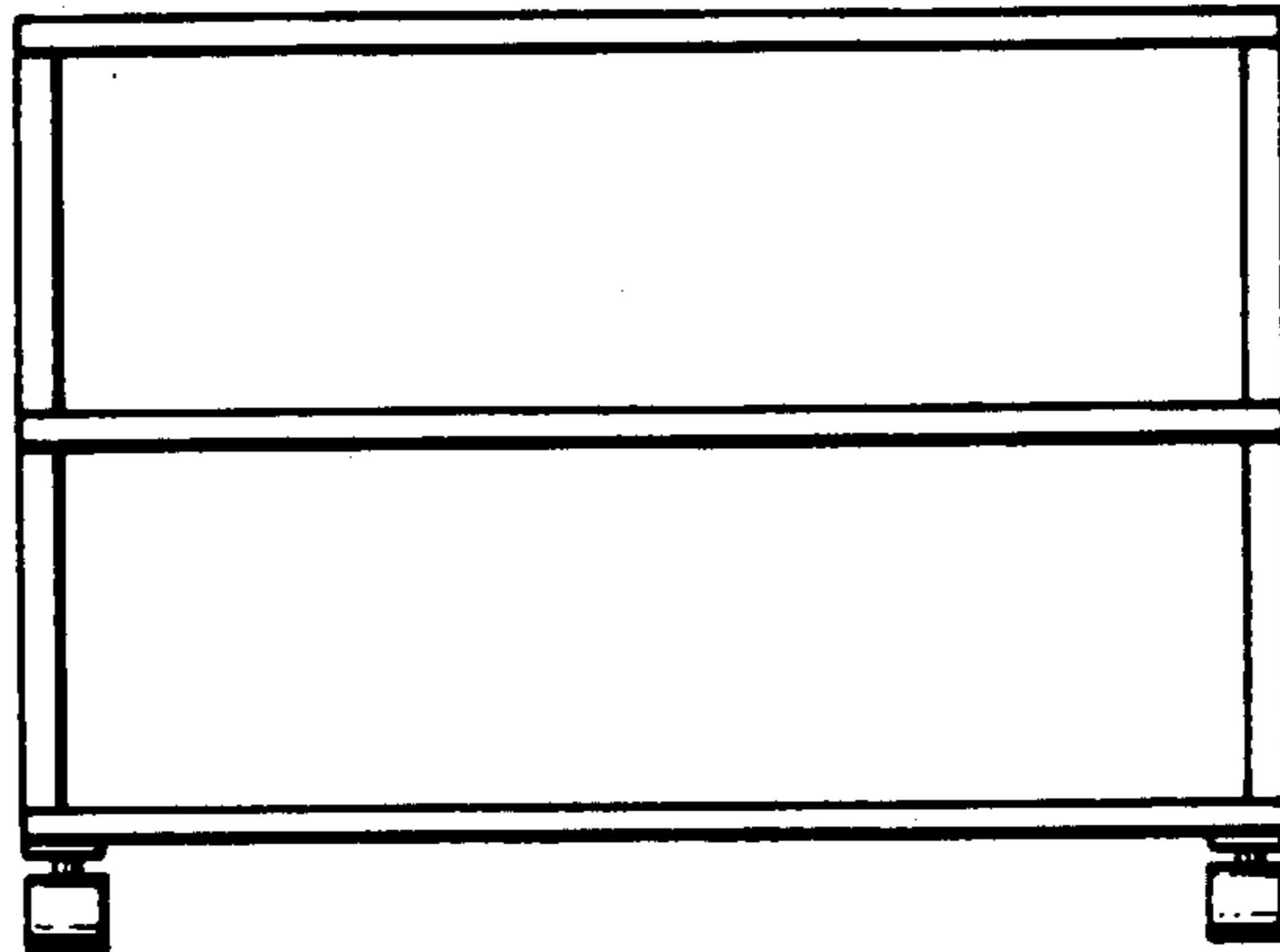


Fig. 6.

