

[54] DISPLAY CASE

[75] Inventors: Robert J. Fevig; Randall S. Holleman; Rebecca A. Garrett, all of Grand Haven; Duane L. Seaver, N. Muskegon, all of Mich.

[73] Assignee: Structural Concepts Corporation, Spring Lake, Mich.

[**] Term: 14 Years

[21] Appl. No.: 516,293

[22] Filed: Apr. 30, 1990

[52] U.S. Cl. D6/472

[58] Field of Search D6/470-472, D6/436, 432; 312/114, 116, 204, 126, 128, 223, 313, 314

[56] References Cited

U.S. PATENT DOCUMENTS

D. 106,014 9/1937 Anderson .
D. 114,185 4/1939 Hoffman .
D. 139,202 8/1944 Beaudry .
D. 168,288 12/1952 Cameron .
D. 196,348 9/1963 Bank .
D. 197,287 1/1964 Schaefer .
D. 198,891 8/1964 Milstein .
D. 202,081 8/1965 Zaslovsky .
D. 209,722 12/1967 Mangini .
D. 268,069 3/1983 Milstein .
D. 281,844 12/1985 Waldeck .
D. 290,667 7/1987 De Zolt D6/472
D. 294,315 2/1988 Jakubowski .
D. 303,595 9/1989 Thompson D6/472
D. 306,537 3/1990 Swanson et al. D6/472
2,735,739 2/1956 Patriarca D6/471 X
4,017,130 4/1977 Hanson .

OTHER PUBLICATIONS

Arctica Display Systems, "Discover a New Perspective in Food Display Systems, Discover Arctica!" (2 pgs. double sided).
Arctica Display Systems, "Discover a New Perspective in Food Display Systems, Discover Arctica!" (1 pg. double sided).
Sig Greenebaum Inc., "The Smallest Details Make the Biggest Difference".

The Columbus Show Case Company, "Simplicity of Design Elegance of Form".
The Columbus Show Case Company, "Profiles".
The Columbus Show Case Company, No Title, "Fresh bakery is presented in the best of taste by Cosmopolitan line of . . .".
Federal Industries, "Curved Glass Case" Model CG-61 and Model CG-6150.
Hill Refrigeration Corporation, "Bakery Showcase".
Hussmann Corporation, "Curved Glass Bakery Merchandisers".
Maier, "World-proven plans for increasing your sales".
Maier, ". . . das Erfolgskonzept fur Ihren Mehrumsatz."
Regal Custom Fixtures Company, Inc., "Bakery Dougle".
Regal Custom Fixtures Company, Inc., "Bakery Continental".
Regal Custom Fixtures Company, Inc., "Bakery Larond".
Royal Food Display Systems, "Introducing the Royal-Horizon".
Royal-Quality Crafted Food Display Systems, "The Royal Horizon Bakery Collection".
The C. Schmidt Company, "Schmidt Eurocase, System II".
The C. Schmidt Company, "Schmidt Eurocase, HiV".
Structural Concepts Corporation, "Structa Series".
Structural Concepts Corporation, "Structa Curved Glass Bakery Merchandisers".
Tyler Refrigeration Corporation, "Curved Glass Bakery".
Warren/Sherer, "Model B4V (C) (U)".
Wescho, "New concepts for sales success".
Wescho, "Wescho will bring your sales success."

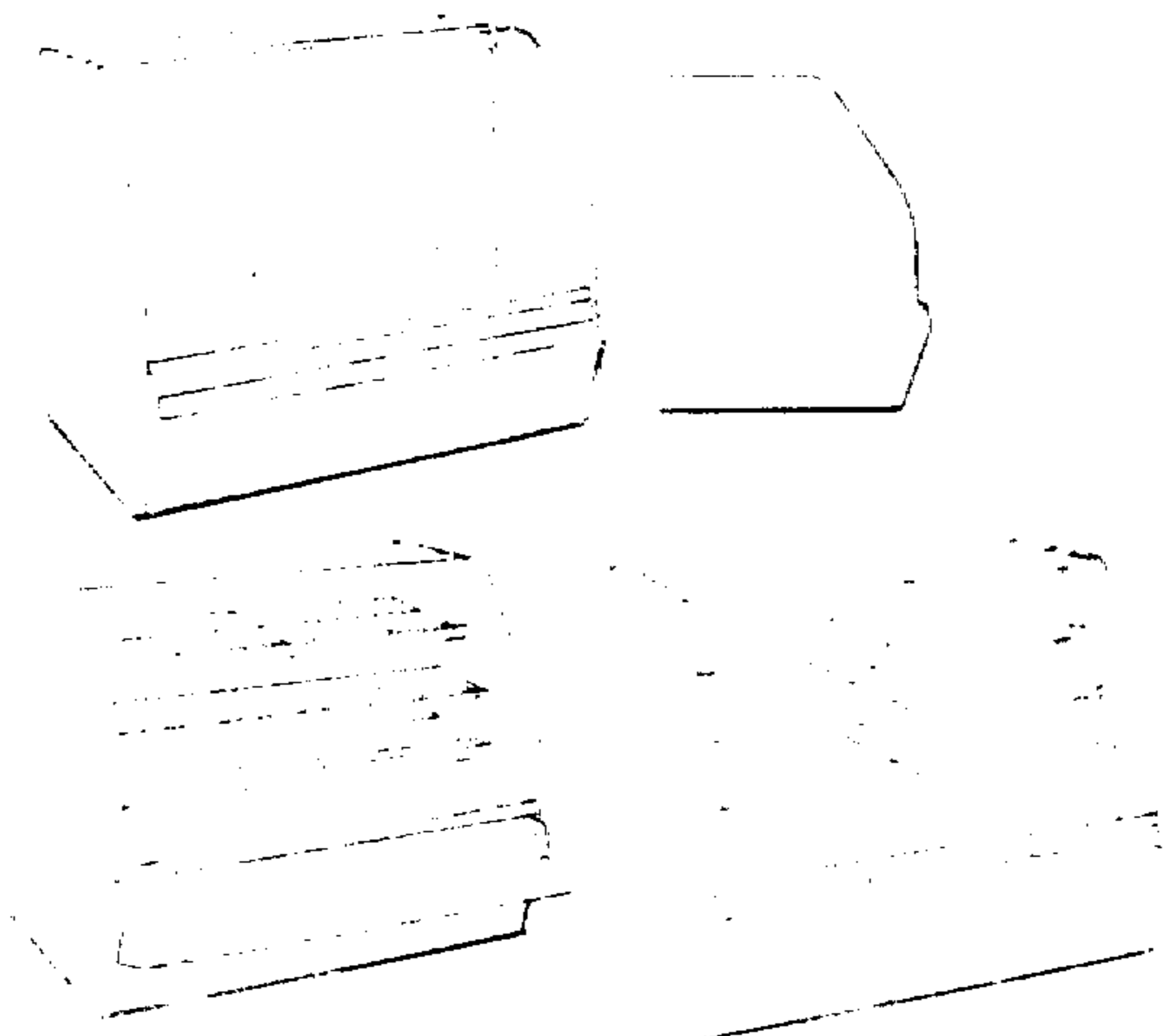
Primary Examiner—Carmen H. Vales-Lado
Attorney, Agent, or Firm—Warner, Norcross & Judd

[57] CLAIM

The ornamental design for a display case, as shown and described.

DESCRIPTION

FIG. 1 is a perspective view of a display case showing my new design;



Des. 318,583

Page 2

FIG. 2 is a front elevational view thereof;
FIG. 3 is a right side elevational view thereof;
FIG. 4 is a left side elevational view thereof;
FIG. 5 is a rear elevational view thereof;
FIG. 6 is a top plan view thereof;
FIG. 7 is a perspective view of a second embodiment of the display case shown in FIG. 1, the opposite side being a mirror image thereof; and
FIG. 8 is a perspective view of a third embodiment of

the display case shown in FIG. 1, the opposite side being a mirror image thereof.

FIG. 9 is an enlarged detail perspective view of the bottom left corner of FIG. 8.

The rear of the case of FIGS. 7 and 8 is substantially similar to that shown in FIG. 5. The bottom of the case is unornamented.

UNITED STATES PATENT OFFICE
PTO - BOYERS, PA DUTY STATION

MISSING PAGE TEMPORARY NOTICE

PATENT NUMBER D 318583 FOR THE ISSUE DATE OF
7/30/1991 HAS BEEN SCANNED, BUT CONTAINS A MISSING
PAGE TEMPORARY NOTICE. UPON RECEIPT OF THE MISSING
PAGE(S), THE ENTIRE DOCUMENT WILL BE RESCANNED. IF YOU
HAVE ANY QUESTIONS, PLEASE CONTACT DENEISE BOYD OF
THE DATA MAINTENANCE BRANCH DATA CENTER OPERATIONS
DIVISION (DMB) BY E-MAIL AT HER ADDRESS
DENEISEBOYD@USPTO.GOV OR BY PHONE (703) 306-3116.
THIS NOTICE IS FOR THE MISSING PAGE CONTAINING:

Miss Draw 1 of 6

DATA CONVERSION OPERATION
BOYERS, PA

SEE C of C - CORRECTS

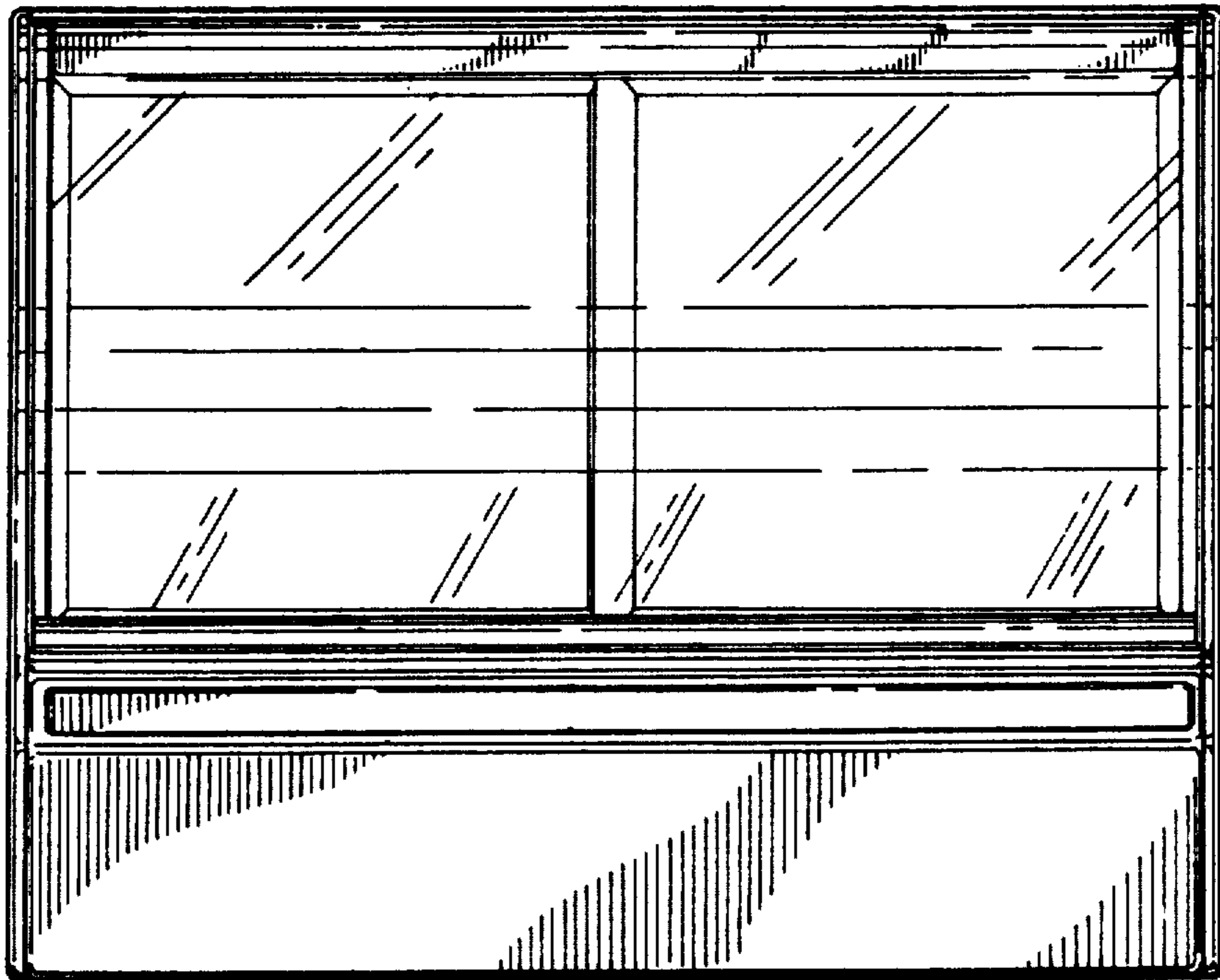


FIG. 2

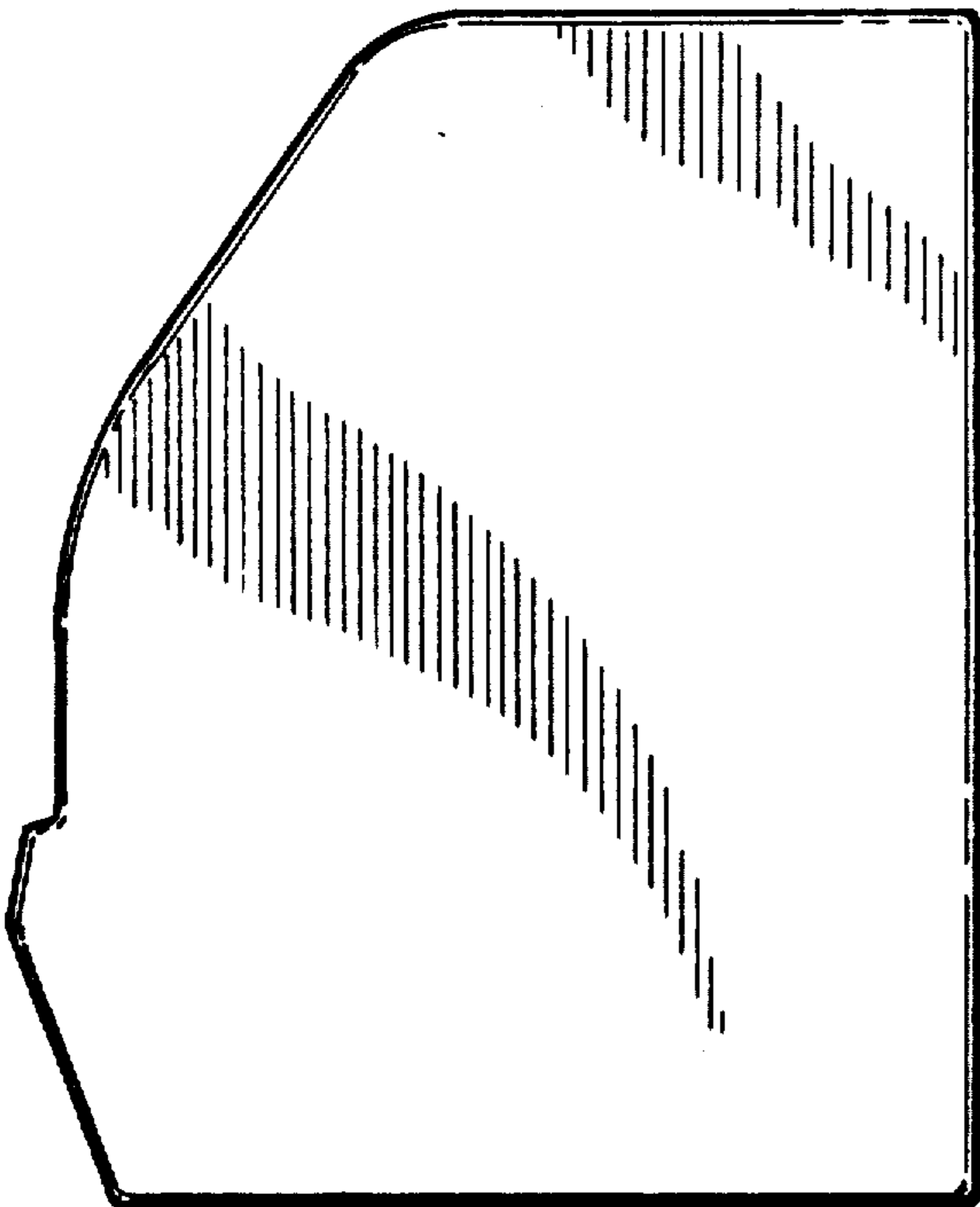


FIG. 3

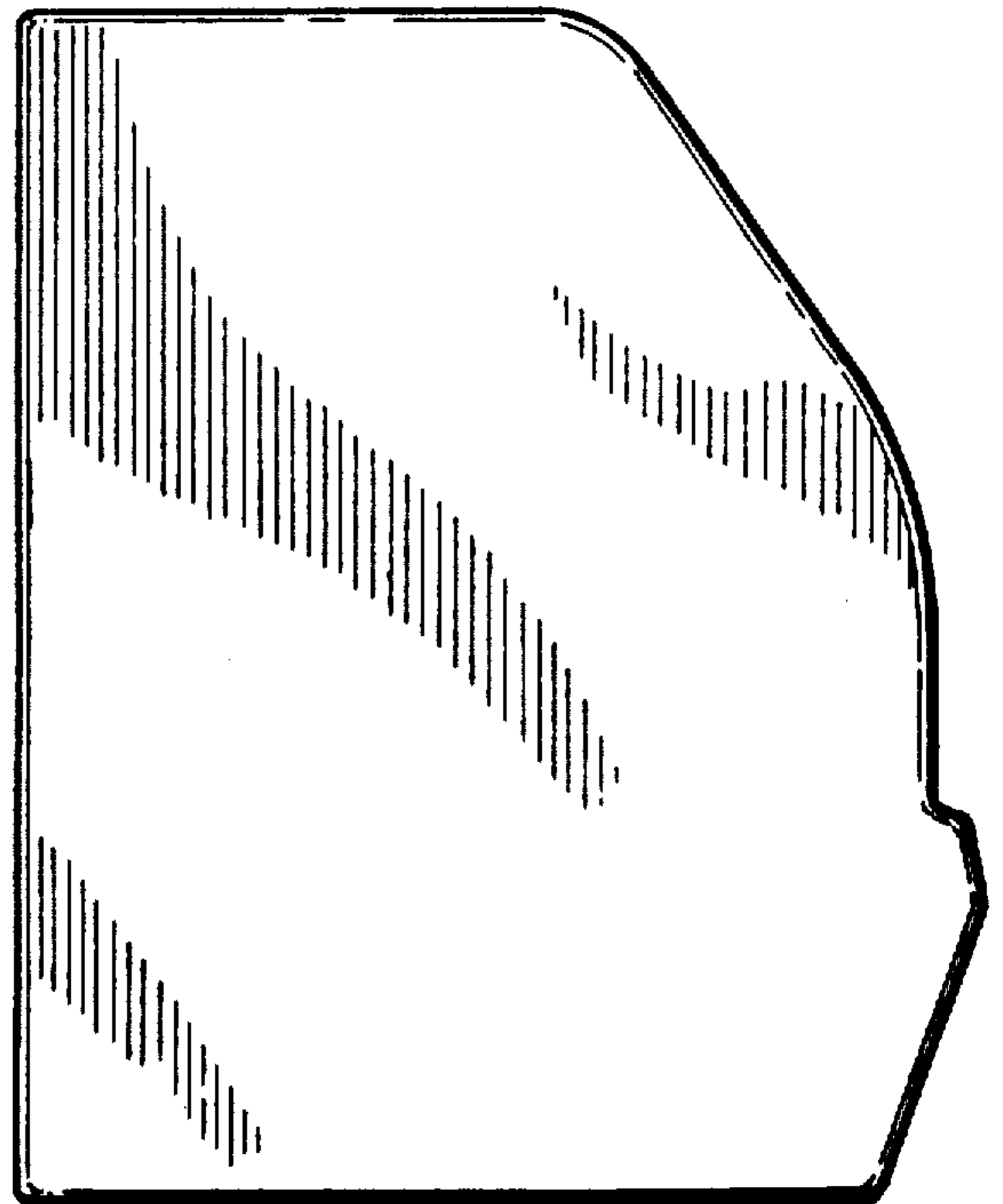


FIG. 4

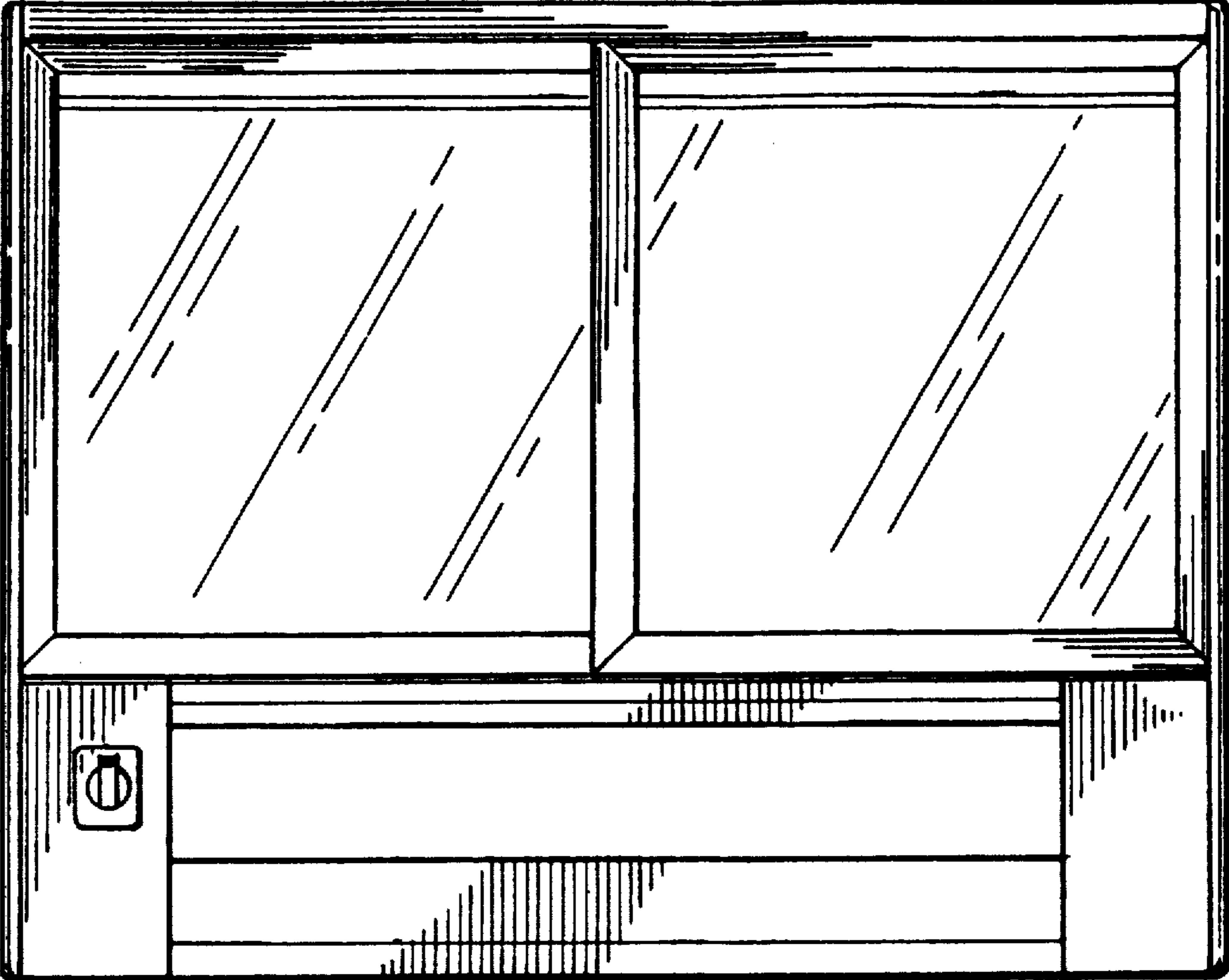


FIG. 5

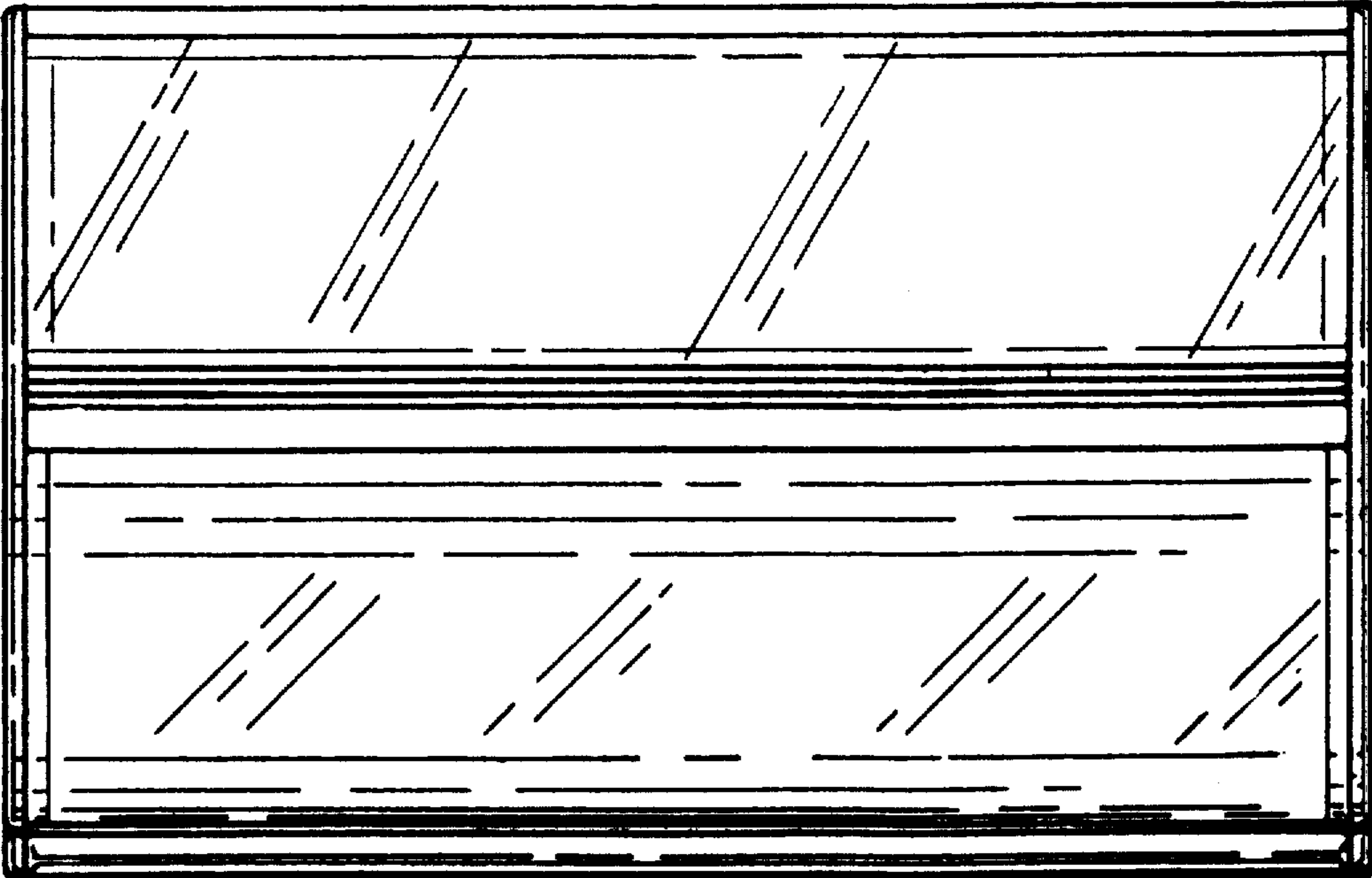


FIG. 6

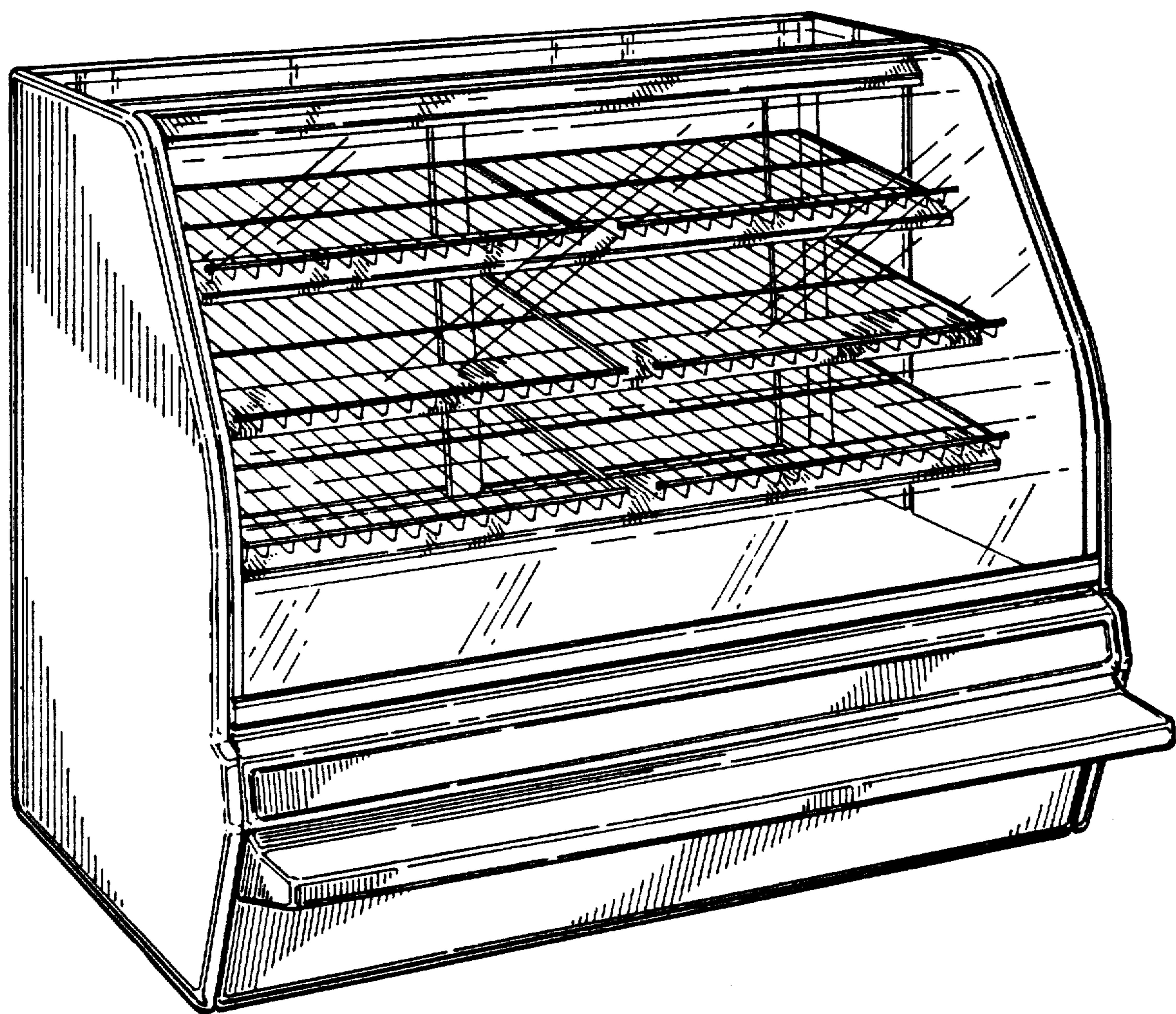


FIG. 7

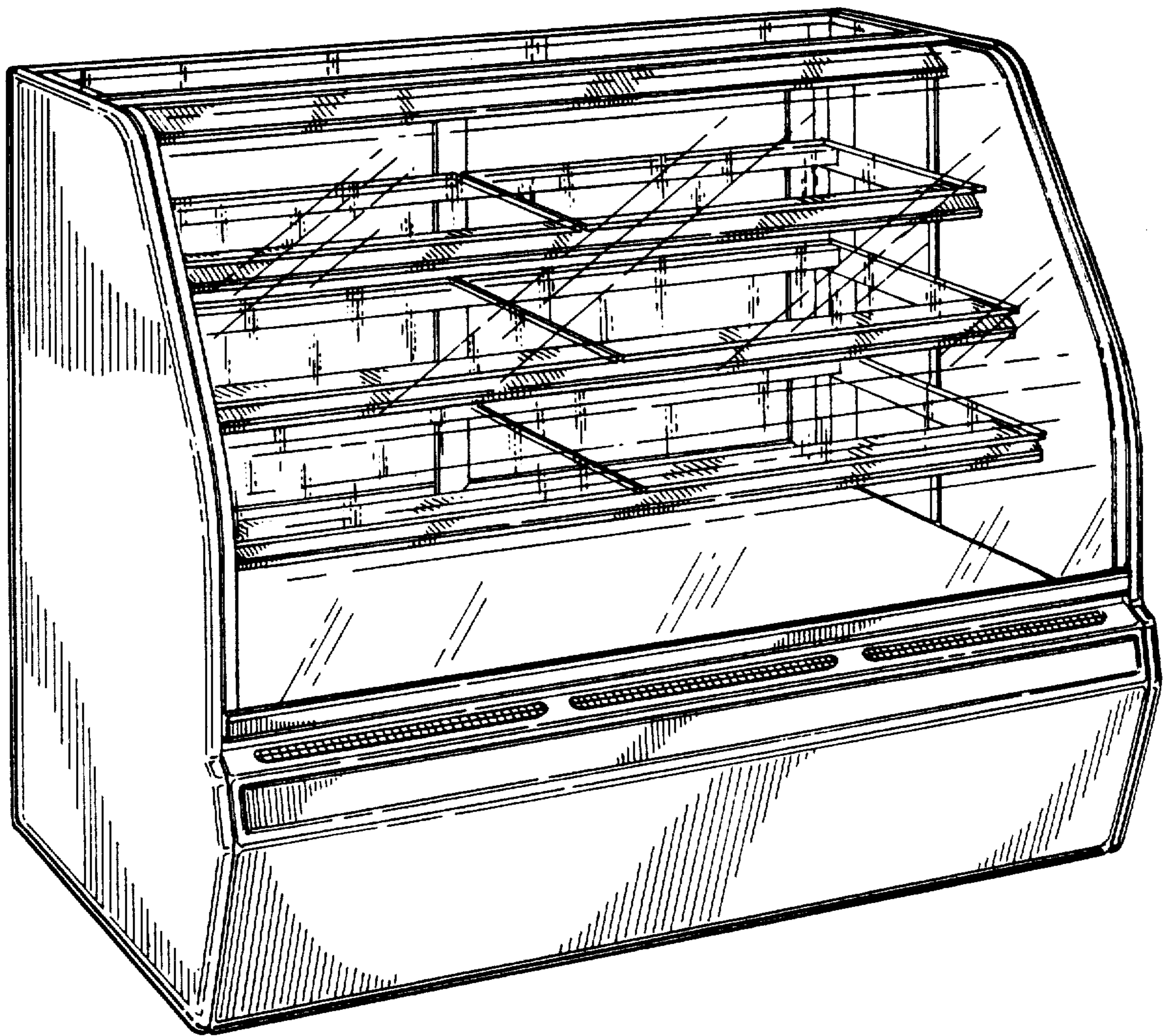


FIG. 8

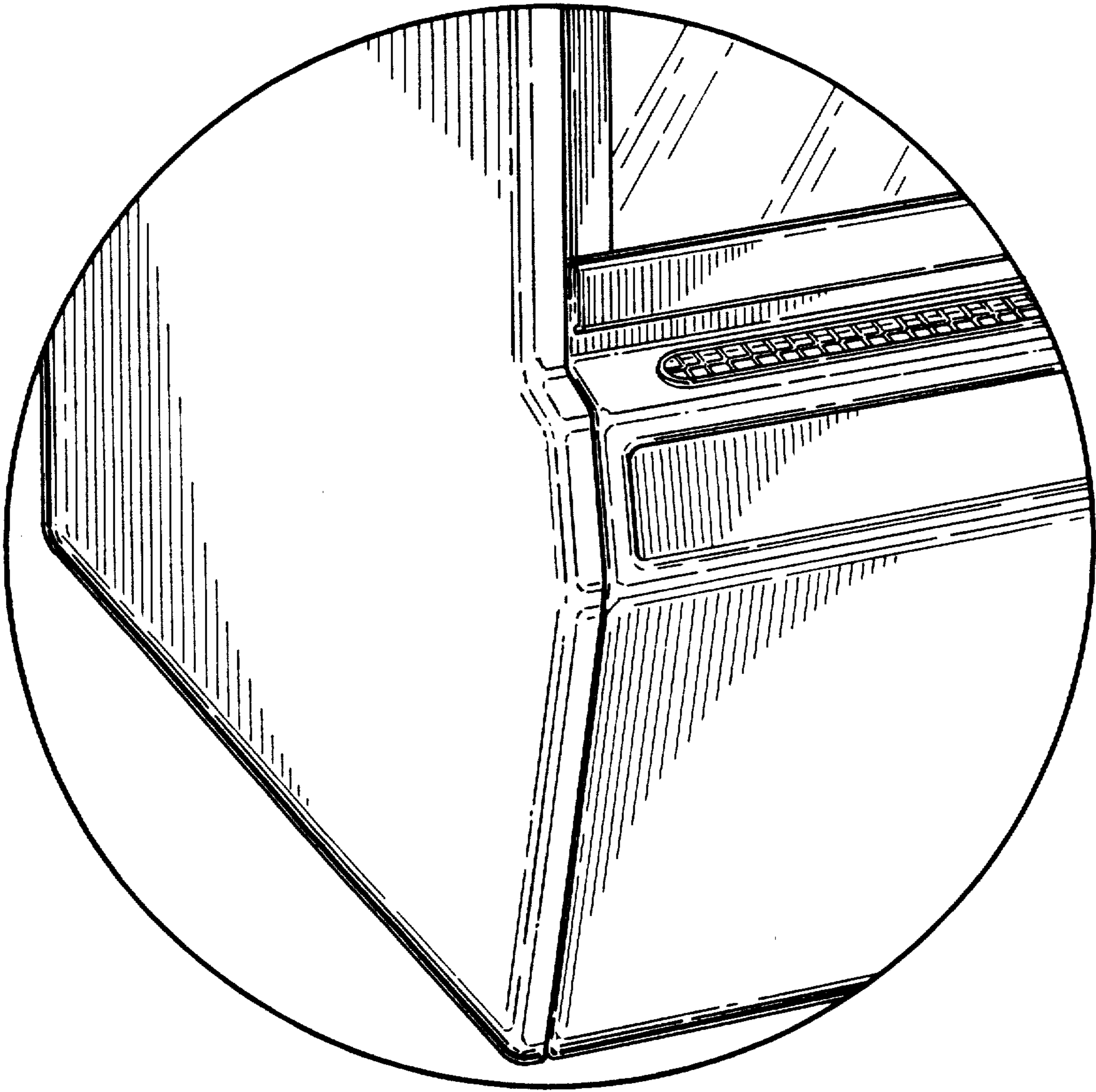


FIG. 9

UNITED STATES PATENT AND TRADEMARK OFFICE
CERTIFICATE OF CORRECTION

PATENT NO. : D 318,583
DATED : July 30, 1991
INVENTOR(S) : Fevig et al

It is certified that error appears in the above-identified patent and that said Letters Patent is hereby corrected as shown below:

In the Drawings:
Include Fig. 1 as follows:

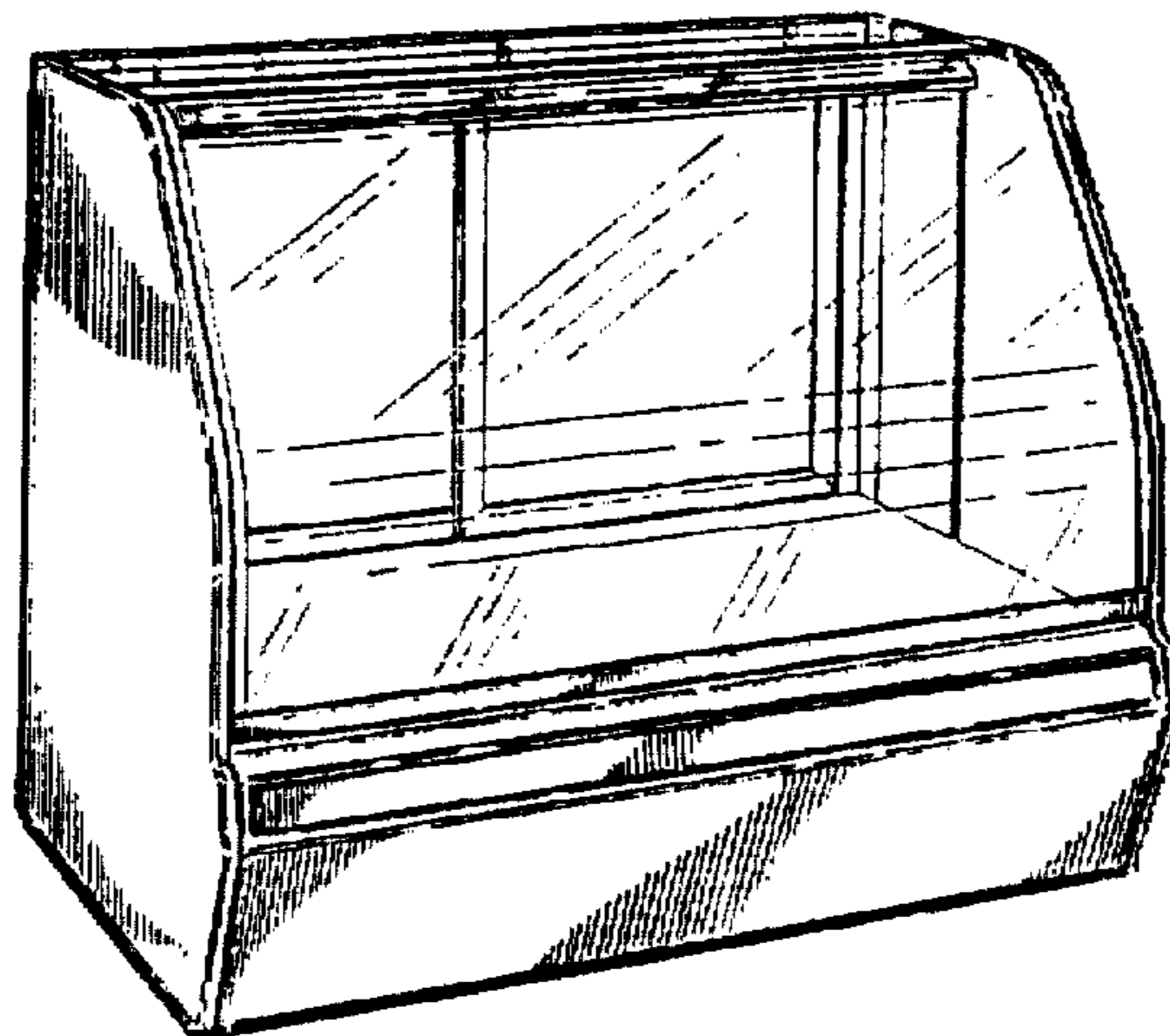


FIG. 1

Signed and Sealed this
Twenty-sixth Day of January, 1993

Attest:

DOUGLAS B. COMER

Attesting Officer

Acting Commissioner of Patents and Trademarks