

# United States Patent [19]

Chadwick et al.

[11] Patent Number: **Des. 318,577**

[45] Date of Patent: **\*\* Jul. 30, 1991**

[54] CHAIR

[75] Inventors: **Donald T. Chadwick, Los Angeles;**  
**Peter R. Glass, Capitola, both of Calif.**

[73] Assignee: **American Seating Company, Grand Rapids, Mich.**

[\*\*] Term: **14 Years**

[21] Appl. No.: **166,631**

[22] Filed: **Mar. 11, 1988**

[52] U.S. Cl. .... **D6/366**

[58] Field of Search ..... **D6/366, 334**

[56] **References Cited**

**U.S. PATENT DOCUMENTS**

D. 127,977	10/1939	Shephard .	
D. 194,458	1/1963	Pearson .	
D. 195,770	7/1963	Isola .	
D. 248,068	6/1978	Roericht .....	D6/366
D. 260,330	8/1981	Ruf .....	D6/366
D. 274,483	7/1984	Caruso .....	D6/366
D. 274,675	7/1984	Diffrient .....	D6/366
D. 276,956	1/1985	Aronowitz et al. ....	D6/366
D. 293,517	1/1988	Bellini .....	D6/366
293,813	2/1884	St. John .	
D. 296,161	6/1988	Bellini .....	D6/366
D. 296,960	8/1988	Fenske .....	D6/366
2,083,838	6/1934	Goenen .	
3,337,265	8/1967	Benzing .	
3,740,792	6/1973	Werner .	

4,429,917	2/1984	Diffrient .....	297/300
4,479,679	10/1984	Fries et al. ....	297/300
4,529,246	7/1985	Leib .....	297/285
4,603,905	8/1986	Stucki .....	297/300

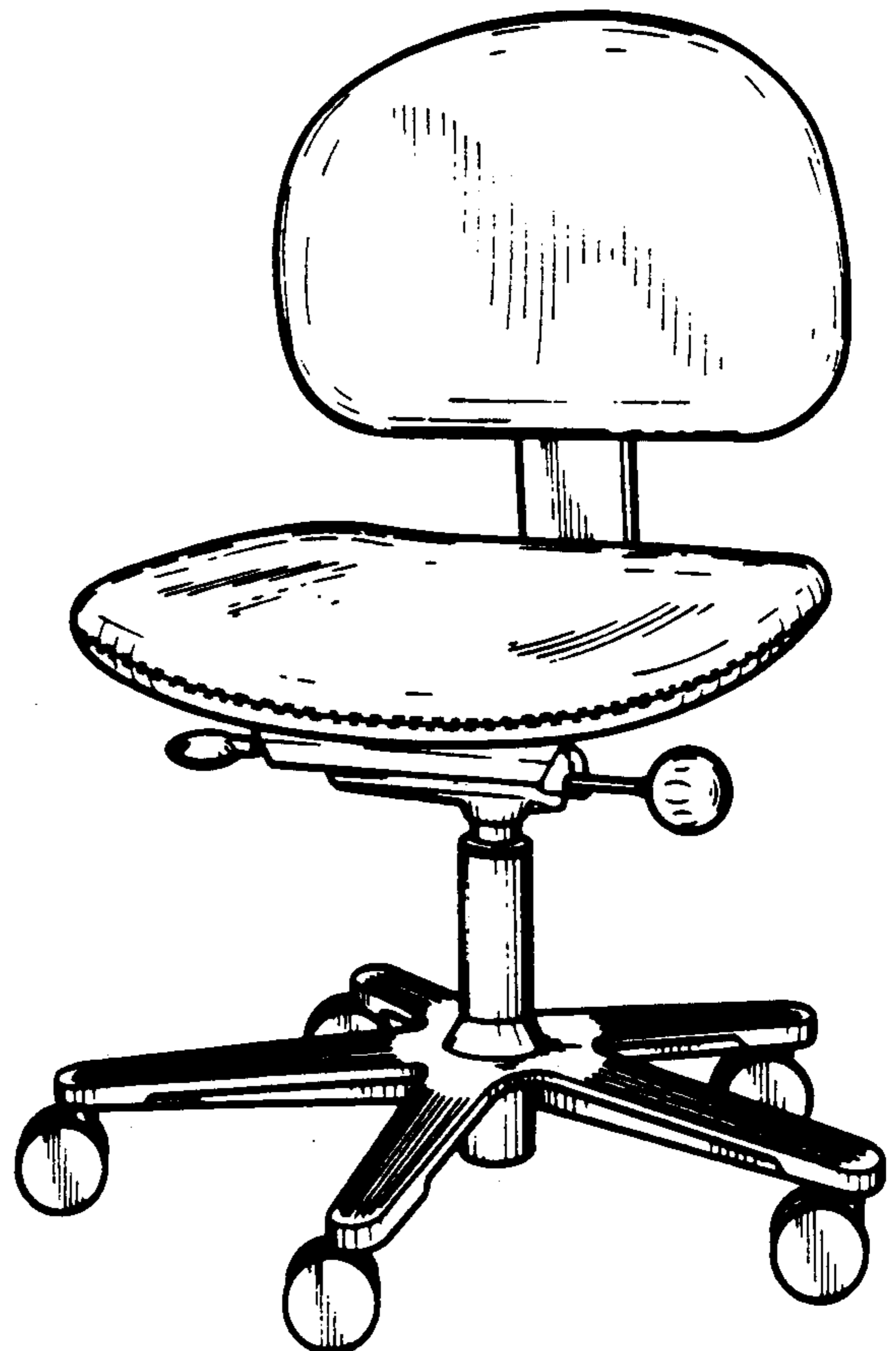
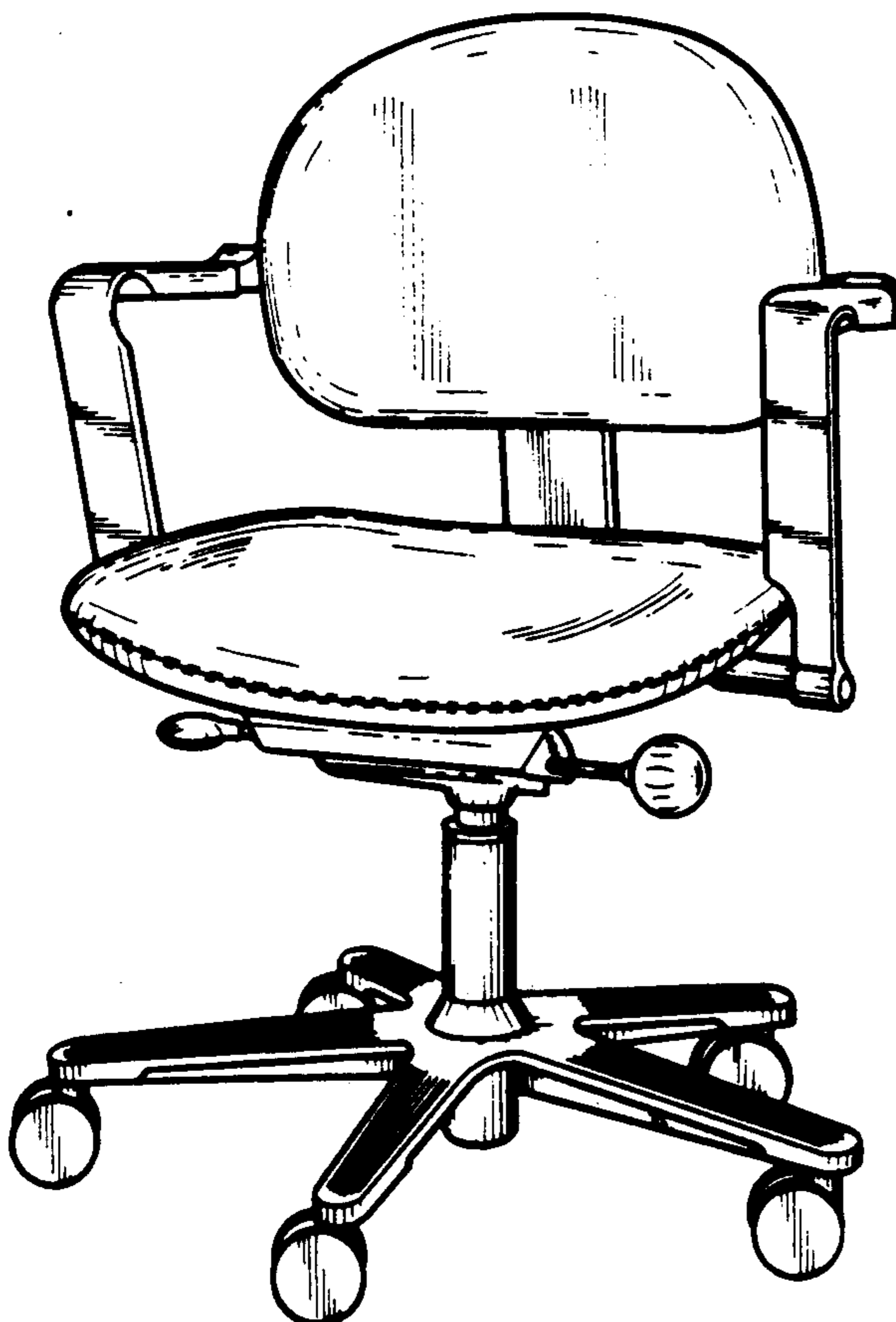
*Primary Examiner*—Bruce W. Dunkins  
*Assistant Examiner*—J. H. Musgrove  
*Attorney, Agent, or Firm*—Gossett Dykema

[57] **CLAIM**

The ornamental design for a chair, as shown and described.

**DESCRIPTION**

FIG. 1 is a front elevational view of a chair showing my new design;  
FIG. 2 is a right side elevational view thereof;  
FIG. 3 is a left side elevational view thereof;  
FIG. 4 is a rear elevational view thereof;  
FIG. 5 is a top plan view thereof;  
FIG. 6 is a bottom plan view thereof;  
FIG. 7 is a front perspective view thereof;  
FIG. 8 is a rear perspective view thereof;  
FIG. 9 is a front elevational view of a second embodiment of our chair design;  
FIG. 10 is a right side elevational view thereof;  
FIG. 11 is a left side elevational view thereof;  
FIG. 12 is a rear elevational view thereof;  
FIG. 13 is a top plan view thereof;  
FIG. 14 is a bottom plan view thereof;  
FIG. 15 is a front perspective view thereof; and  
FIG. 16 is a rear perspective view thereof.



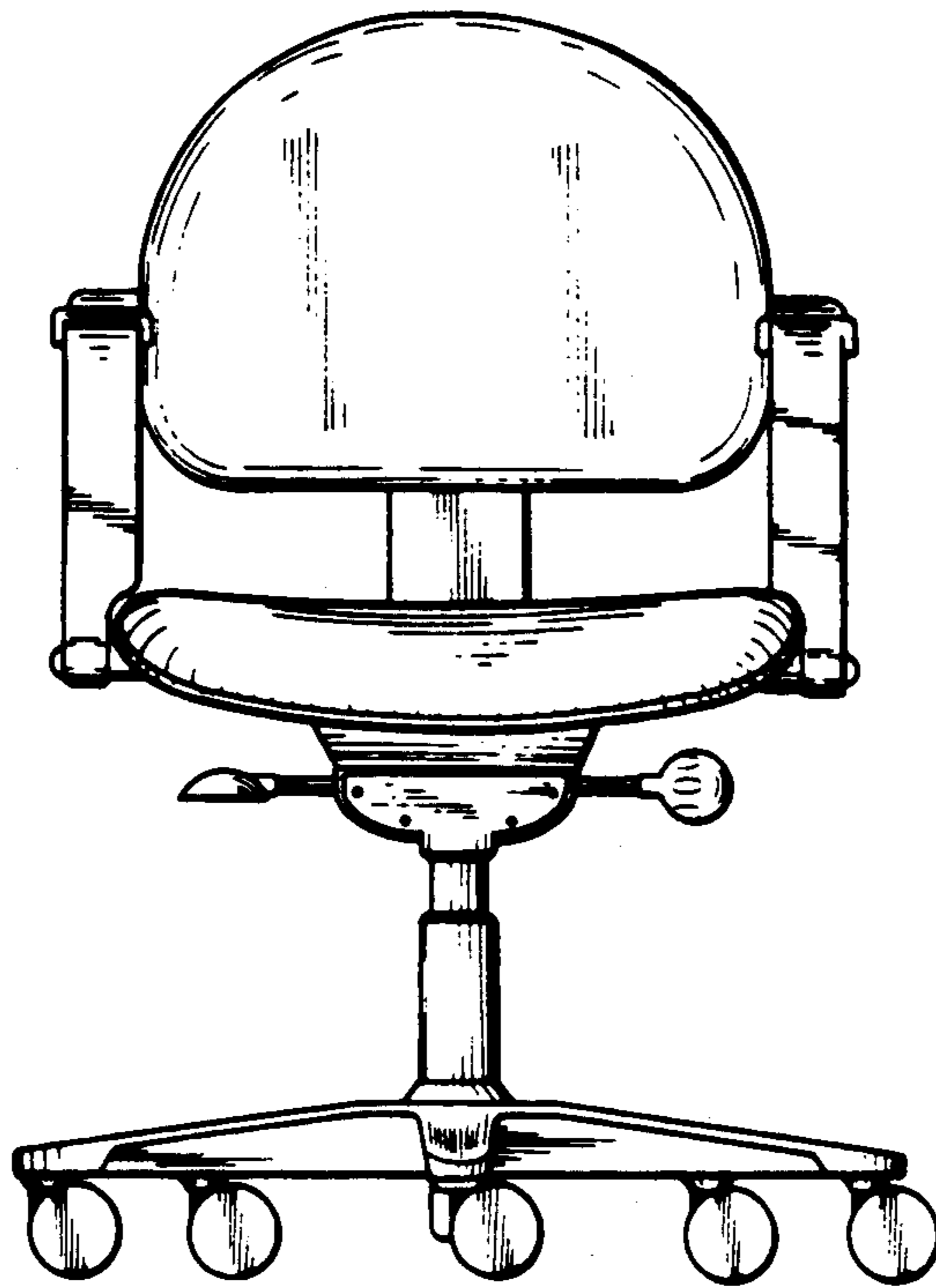


Fig-1

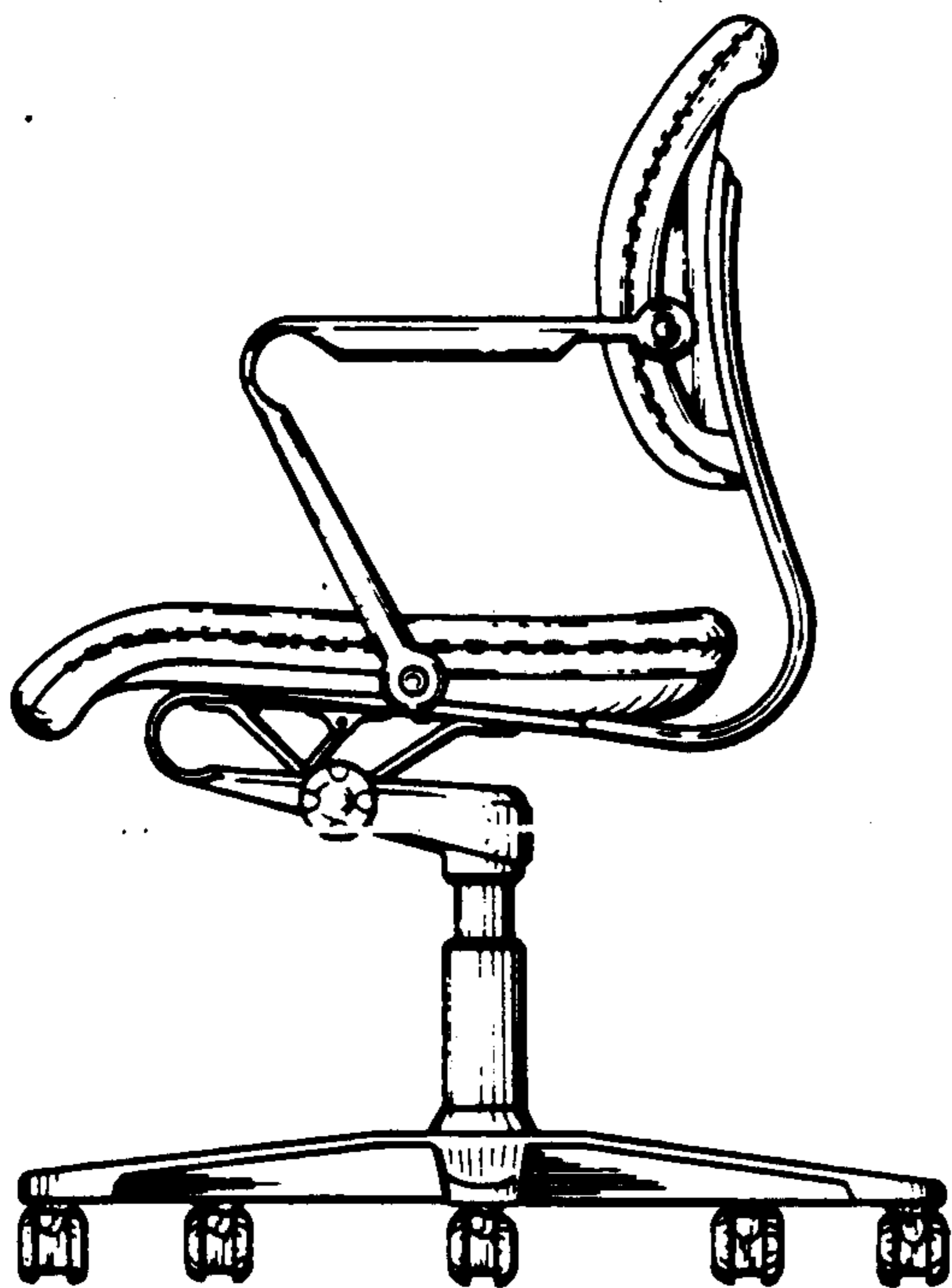


Fig-2

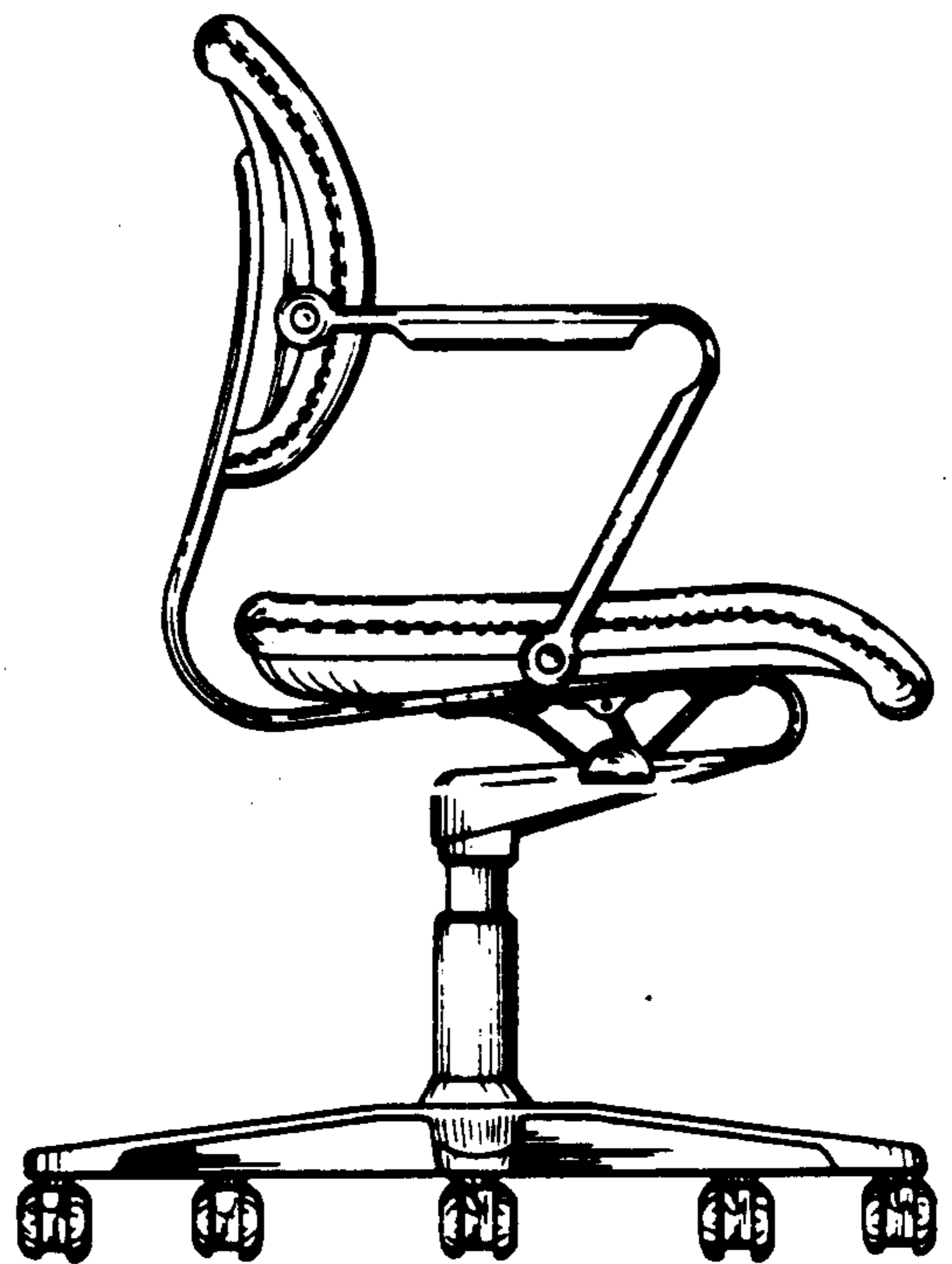


Fig-3

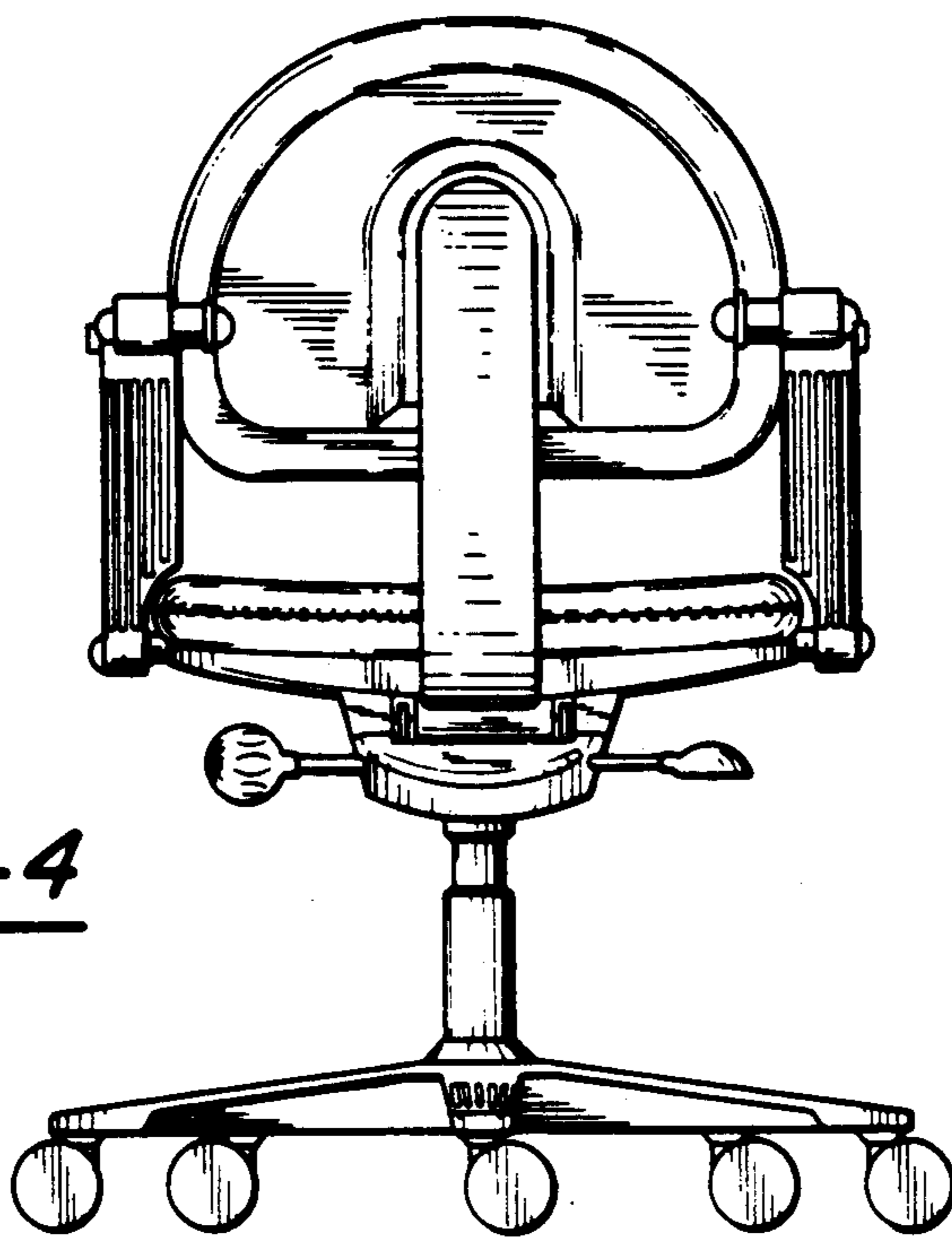


Fig-4

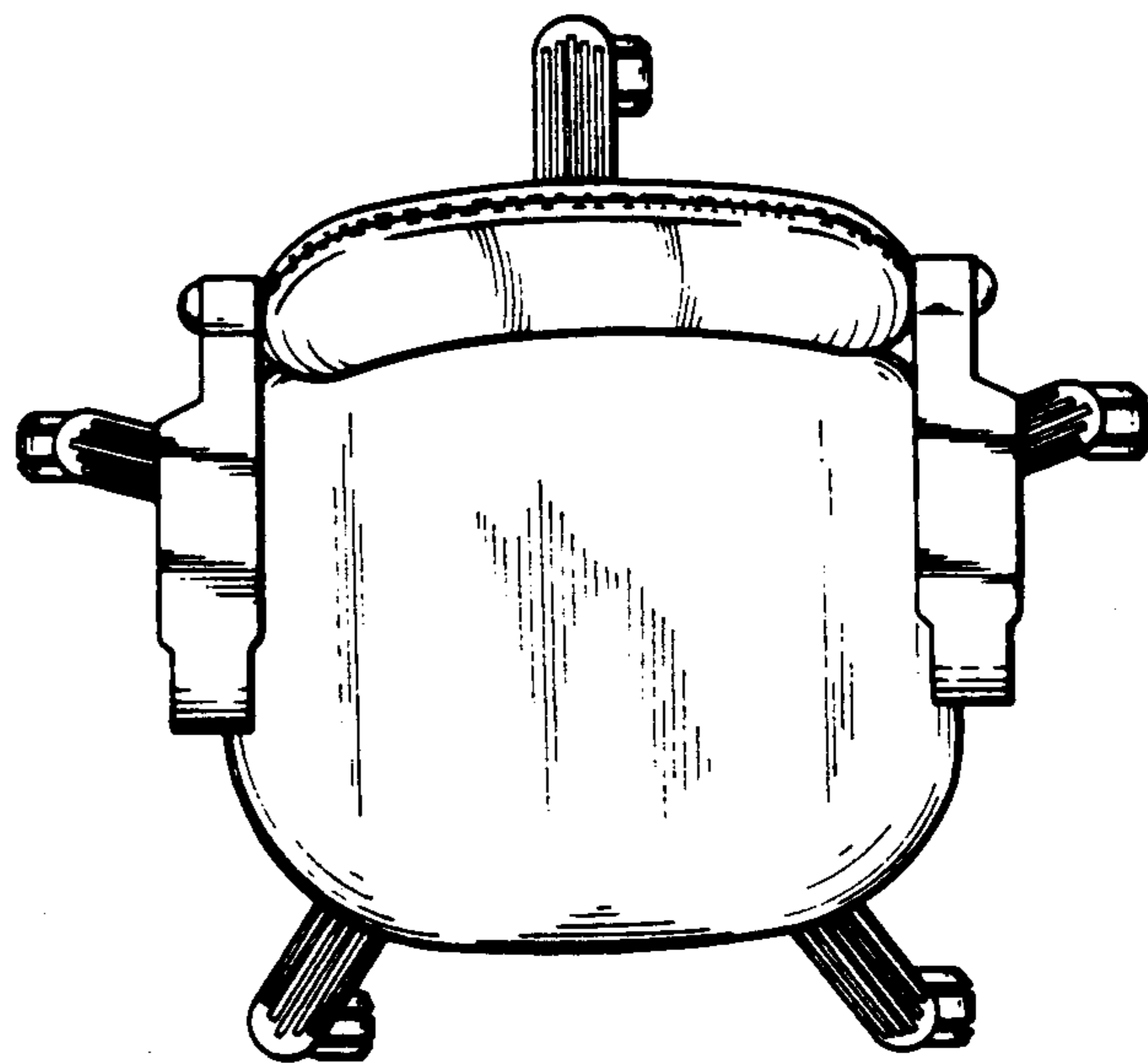


Fig-5

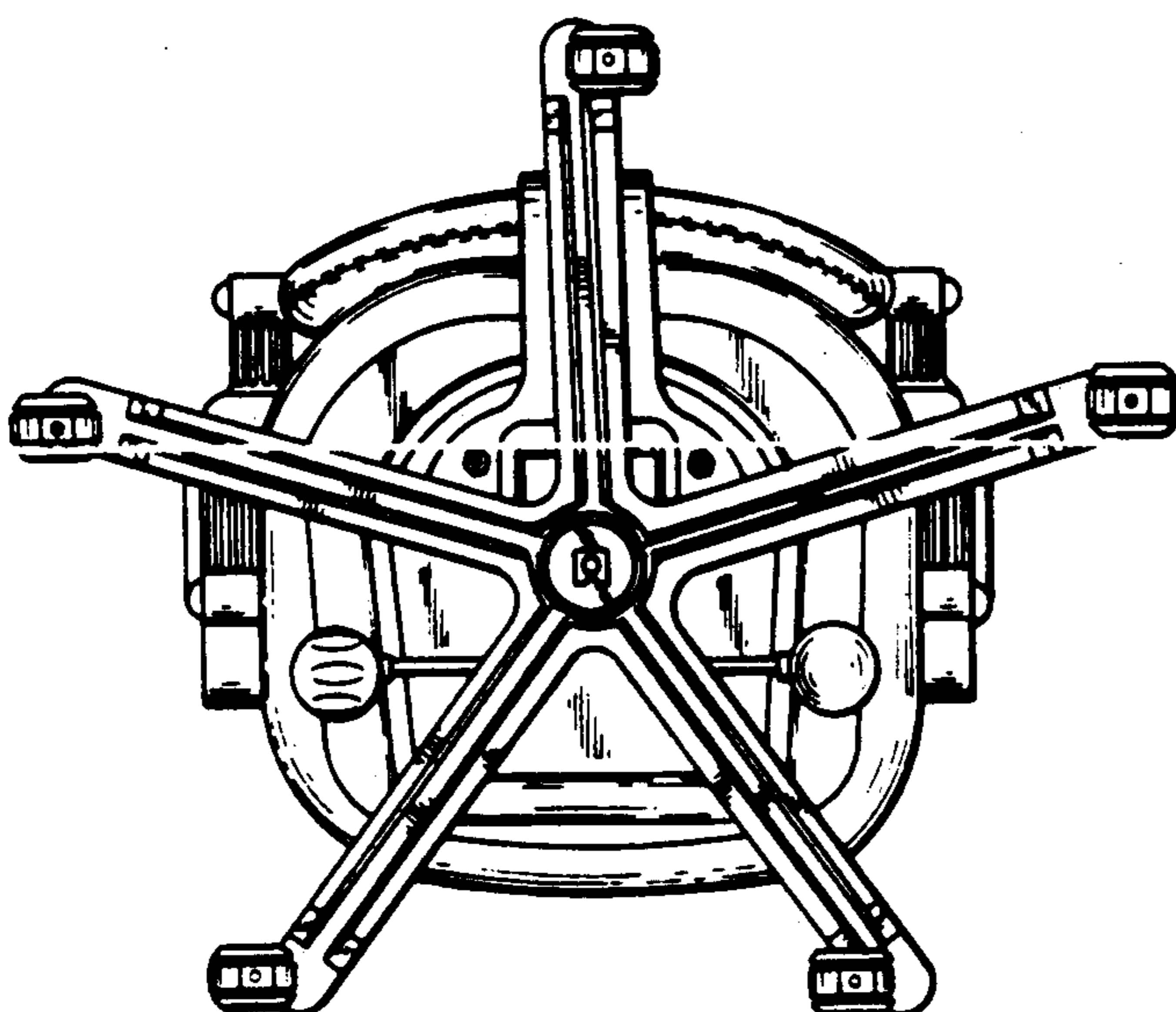


Fig-6

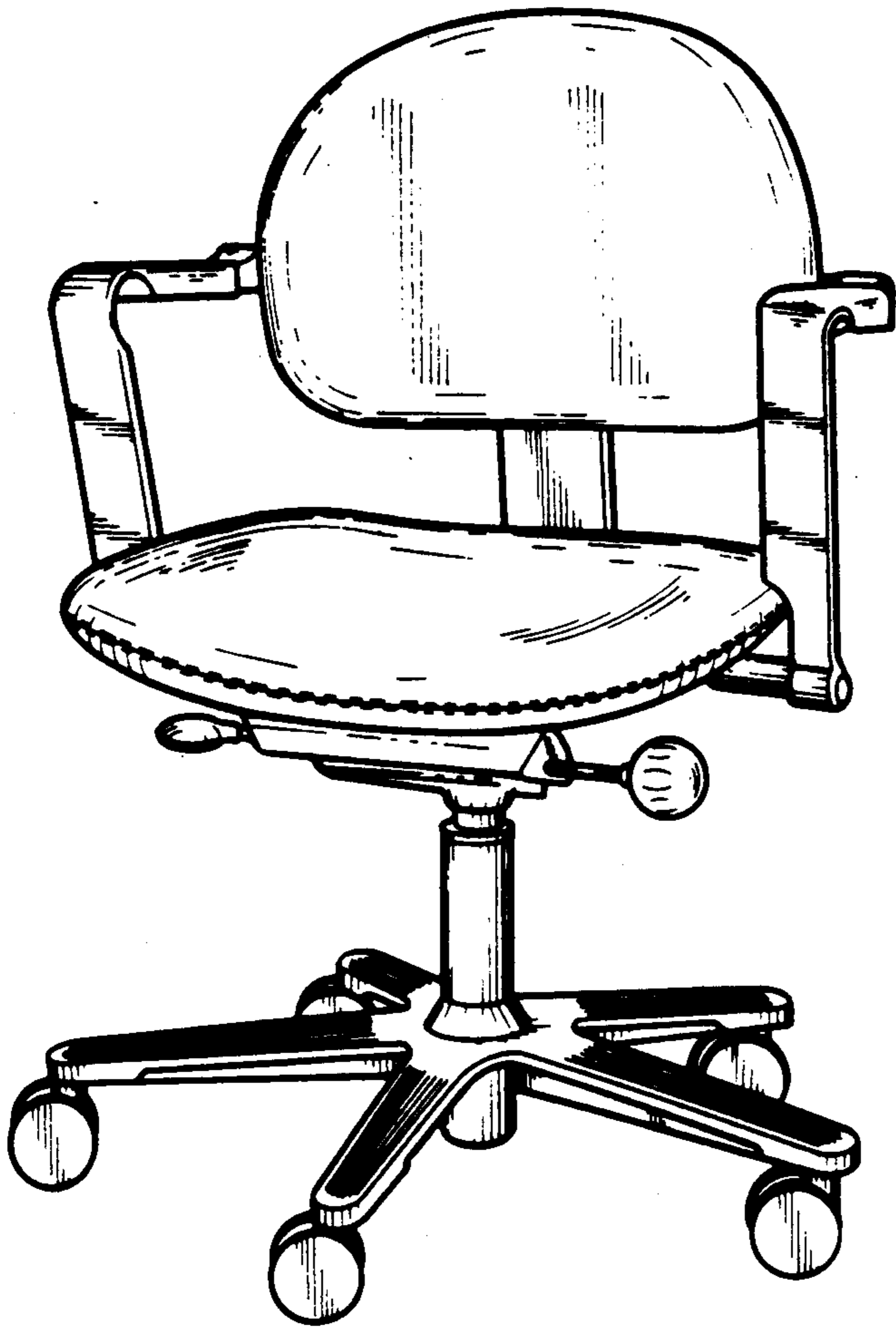
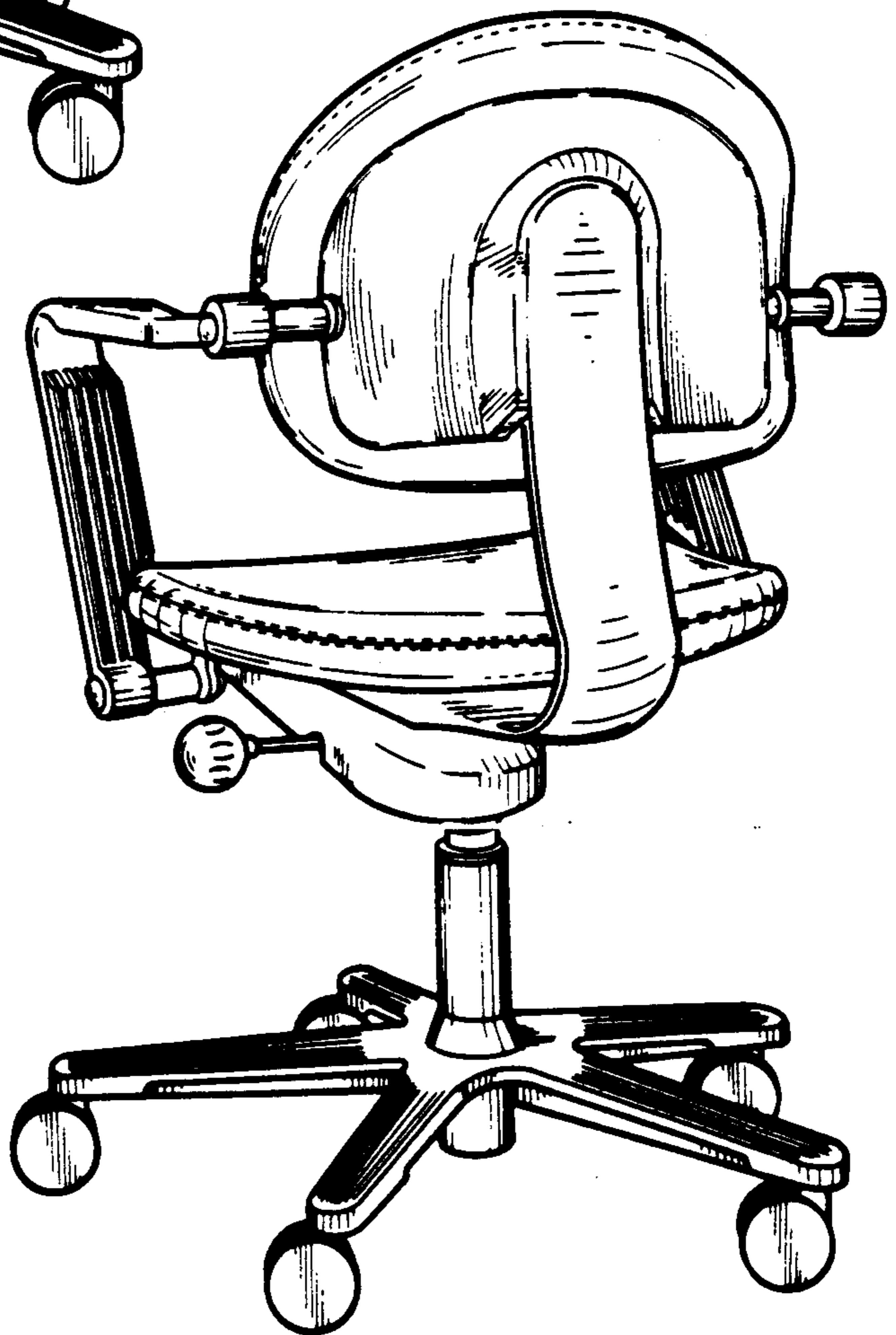


Fig-7

Fig-8



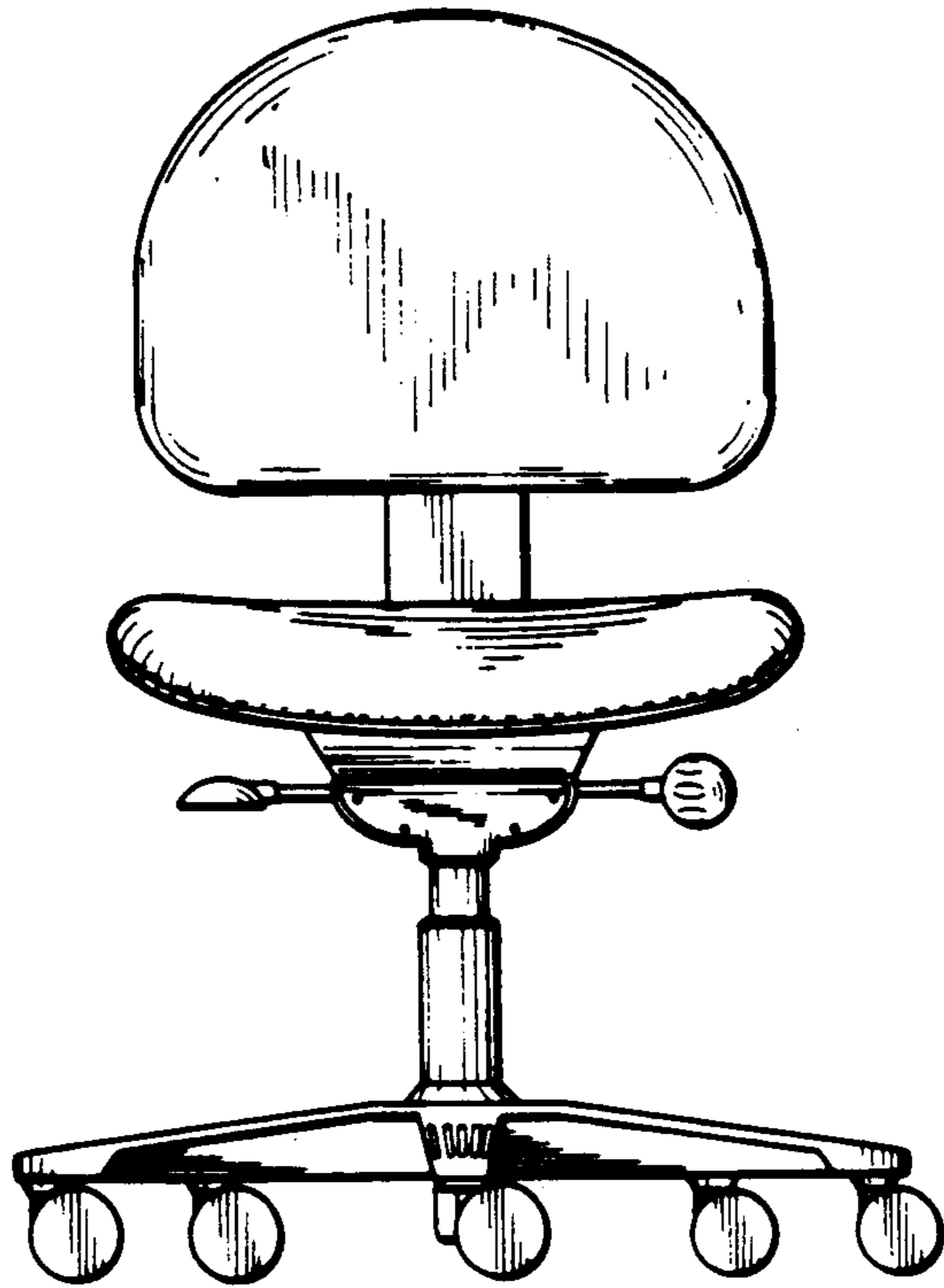


Fig-9

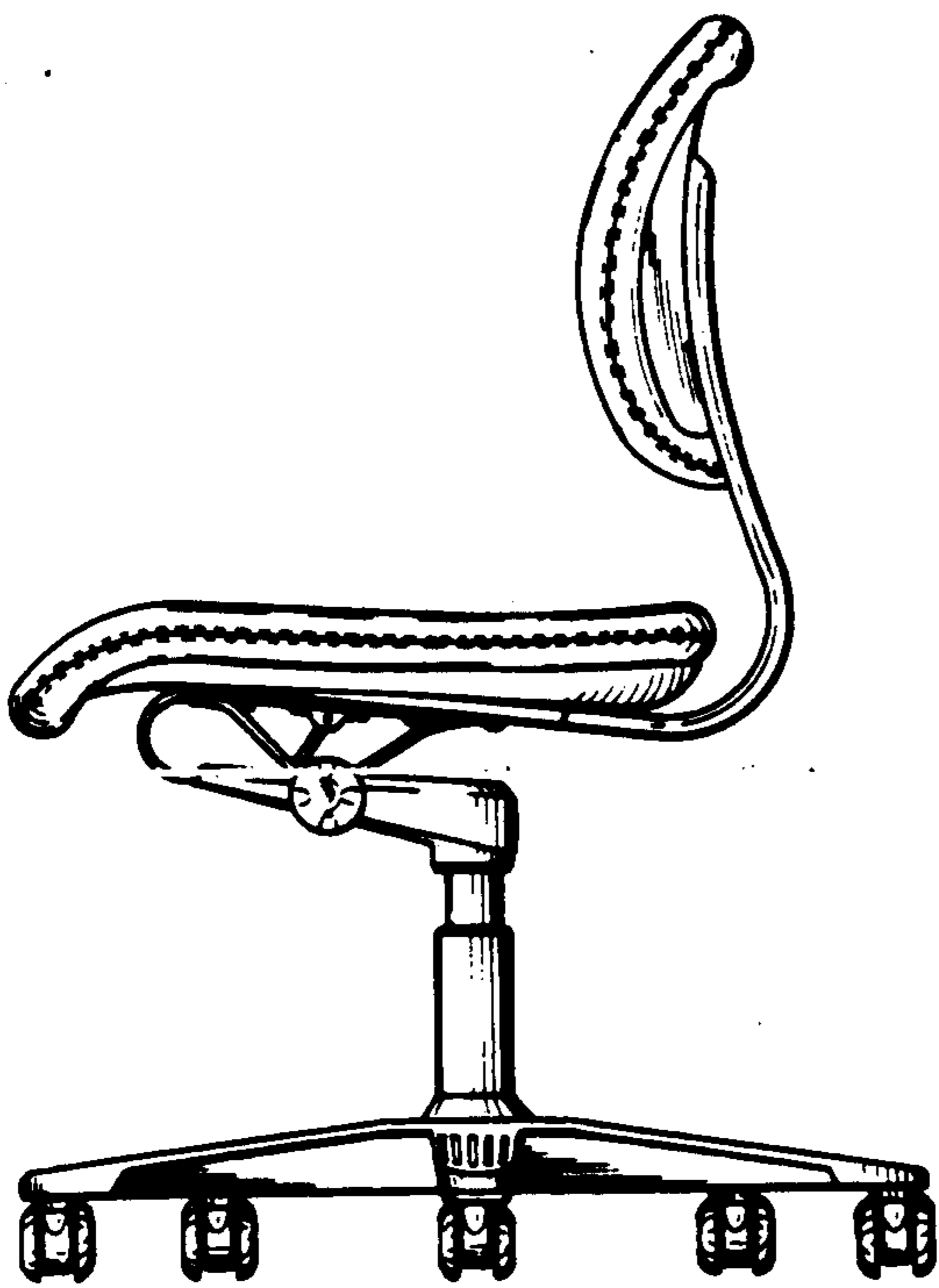


Fig-10

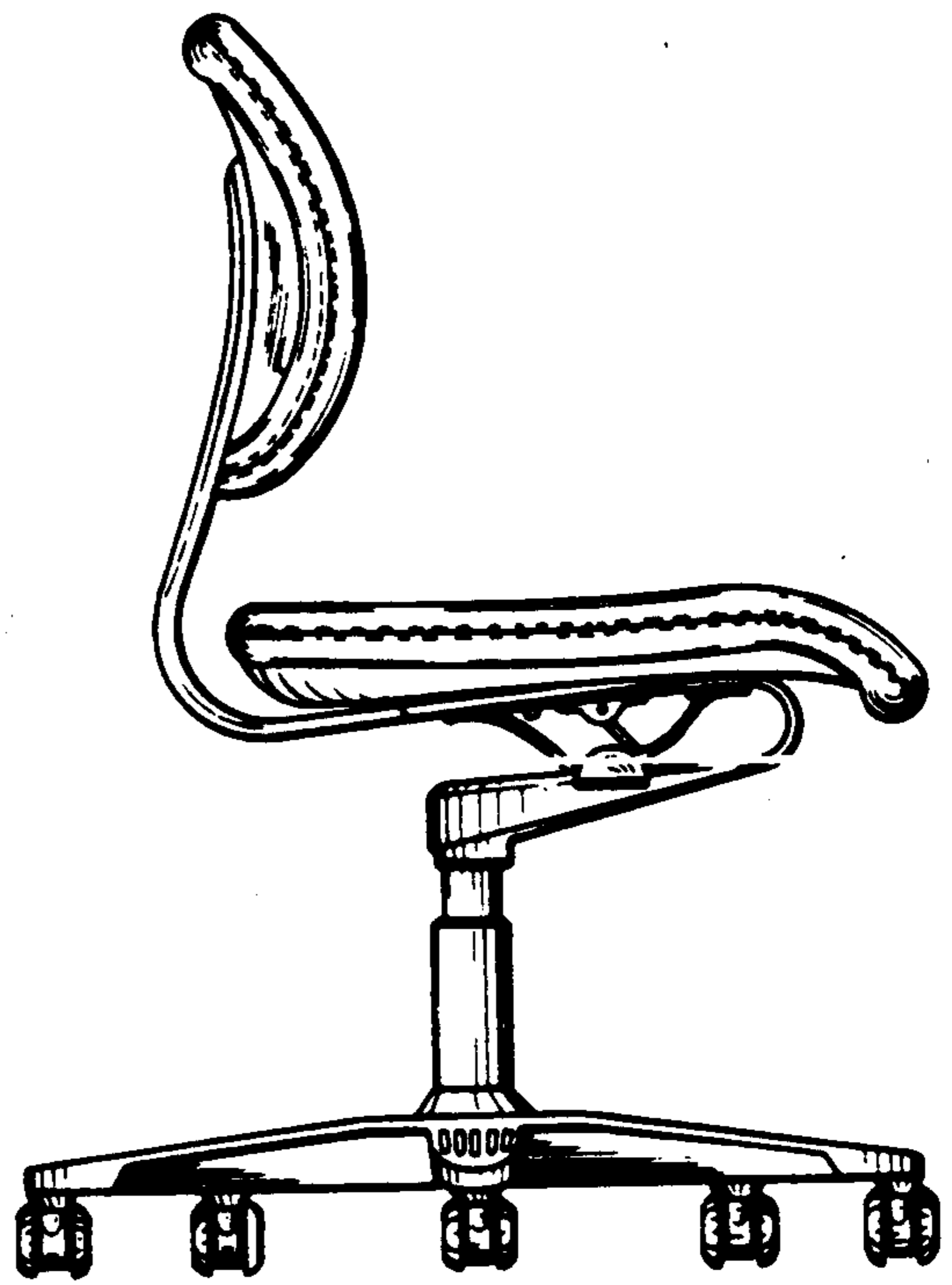


Fig-11

Fig-12

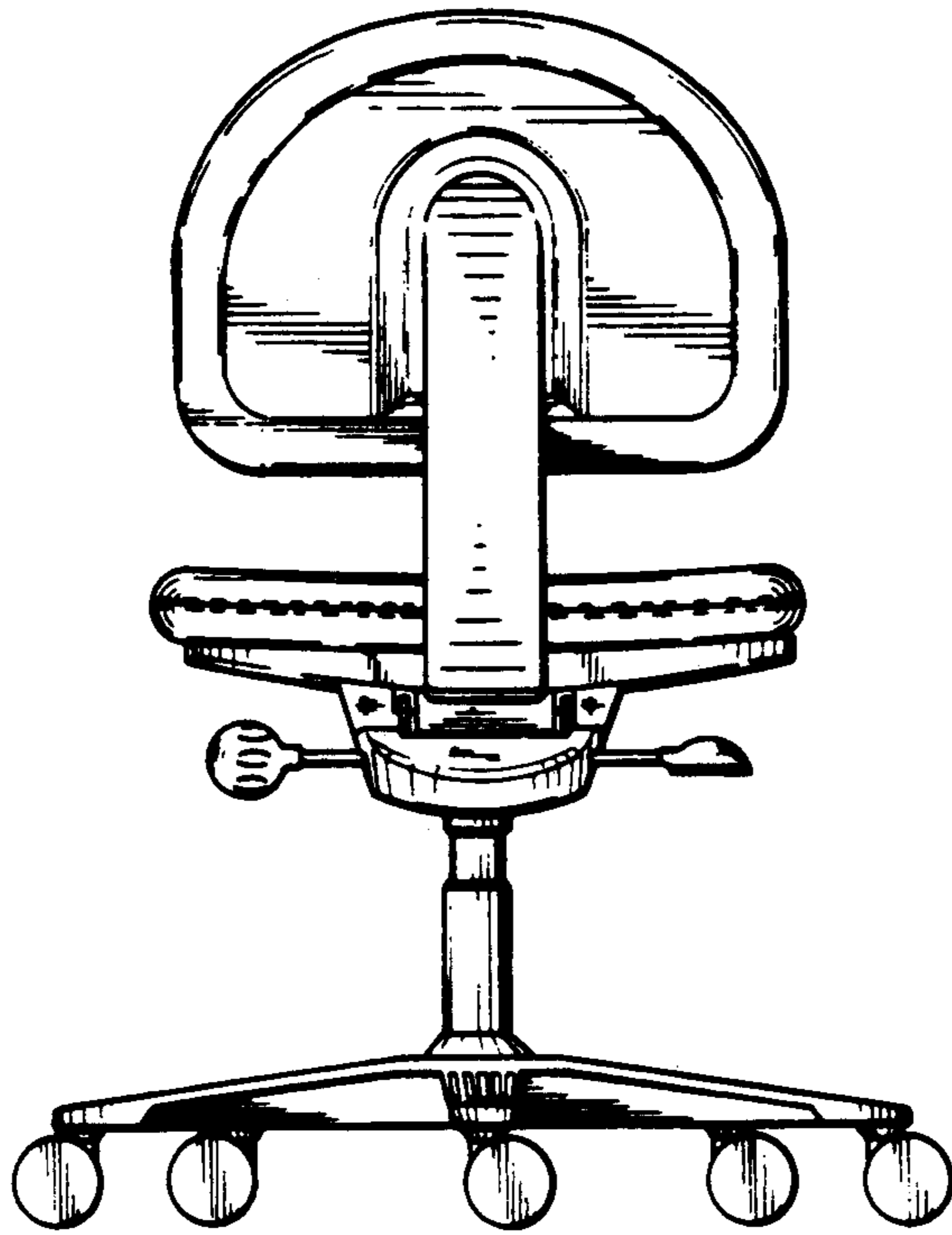


Fig-13

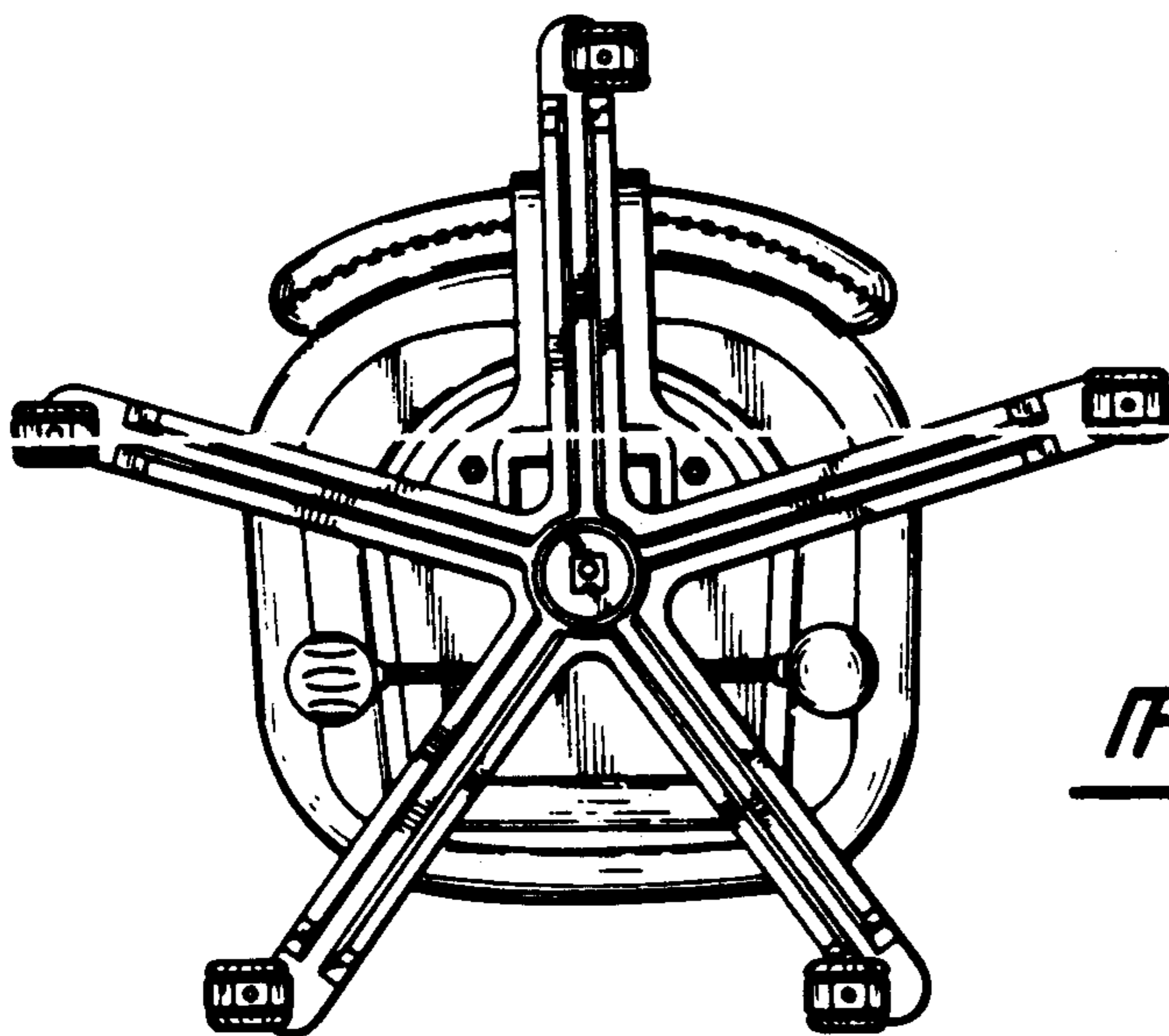
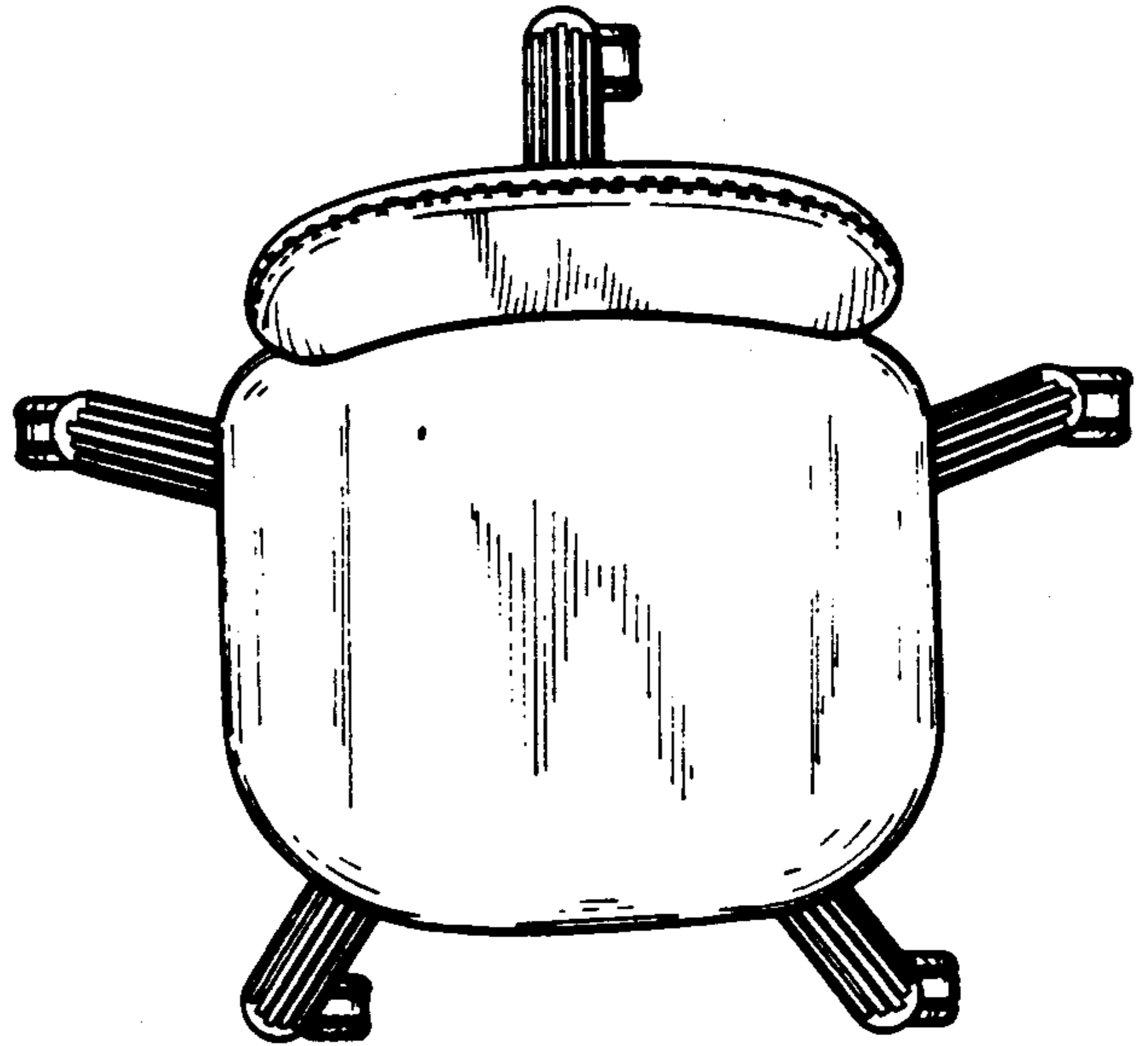


Fig-14

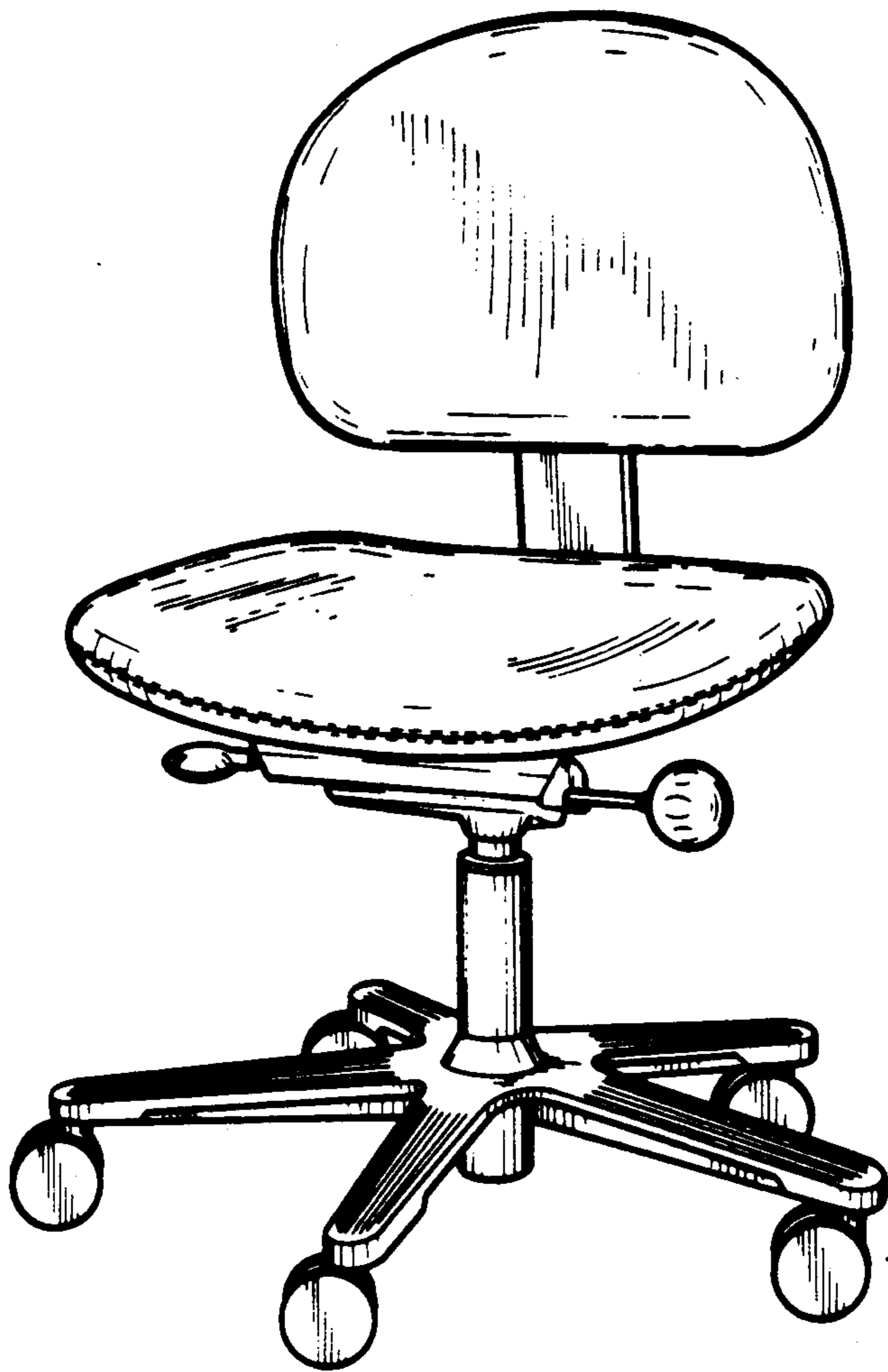


Fig-15

Fig-16

