

[54] TOOTHBRUSH

[75] Inventor: Helge Sletbak, Trollasen, Norway
[73] Assignee: Sanodent BV, Kerkade, Netherlands
[**] Term: 14 Years
[21] Appl. No.: 445,331

[22] Filed: Dec. 4, 1989
[52] U.S. Cl. D4/104; D4/110
[58] Field of Search D4/100-114,
D4/130, 132, 134, 136, 138, 199; D24/10-11;
D28/64; 15/105-106, 143 R, 159 R, 159 A,
160, 167.1-167.3; 132/308-311; 206/361-362,
362.1-362.4

[56] References Cited

U.S. PATENT DOCUMENTS

D. 180,091	4/1957	Mayer	D4/104
D. 204,127	3/1966	Syvertson	D41/101
D. 209,736	1/1968	Herne	D4/104
D. 289,704	5/1987	Marthaler et al.	D4/104
D. 298,176	10/1988	Davis	D28/64
4,724,570	2/1988	Hitzman	15/167.1

FOREIGN PATENT DOCUMENTS

734794	5/1966	Canada	206/361
1286416	8/1972	United Kingdom	15/167.1

Primary Examiner—Wallace R. Burke
Assistant Examiner—Lavone D. Tabor
Attorney, Agent, or Firm—Young & Thompson

[57] CLAIM

The ornamental design for a toothbrush, as shown and described.

DESCRIPTION

FIG. 1 is a top perspective view of a toothbrush showing my new design;
FIG. 2 is a bottom perspective view thereof;
FIG. 3 is a left side view thereof;
FIG. 4 is a top plan view thereof;
FIG. 5 is a bottom plan view thereof;
FIG. 6 is a right side view thereof;
FIG. 7 is a front elevational view thereof;
FIG. 8 is a rear elevational view thereof;
FIGS. 9-13 are sectional views taken along lines IX-IX, X-X, XI-XI, XII-XII, and XIII-XIII respectively of FIG. 3;
FIGS. 14-21 are views similar to FIGS. 1-13 respectively, showing a modified form thereof; and
FIGS. 22-26 are sectional views taken along lines XXII-XXII, XXIII-XXIII, XXIV-XXIV, XXV-XXV, and XXVI-XXVI respectively of FIG. 16.

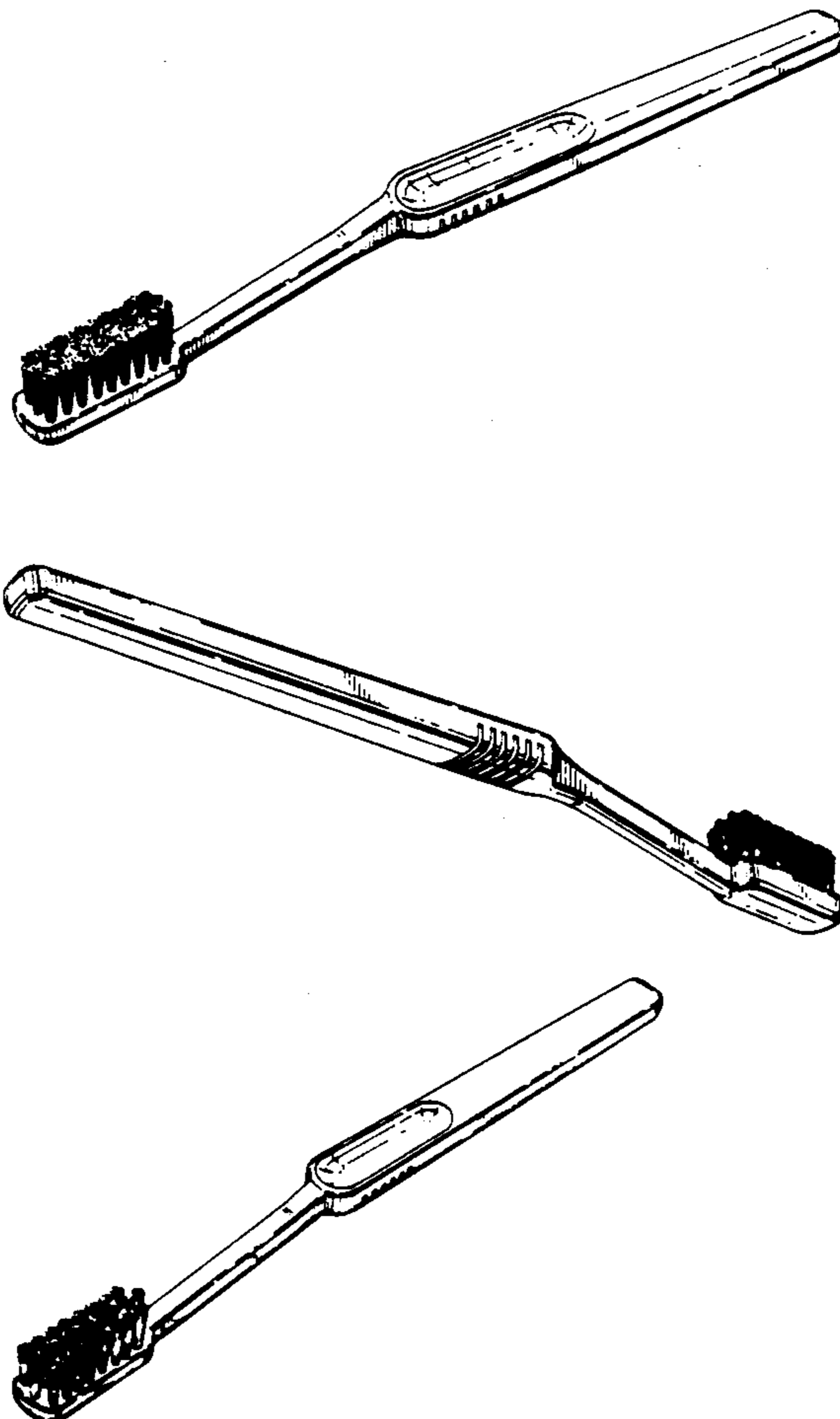


Fig. 1.

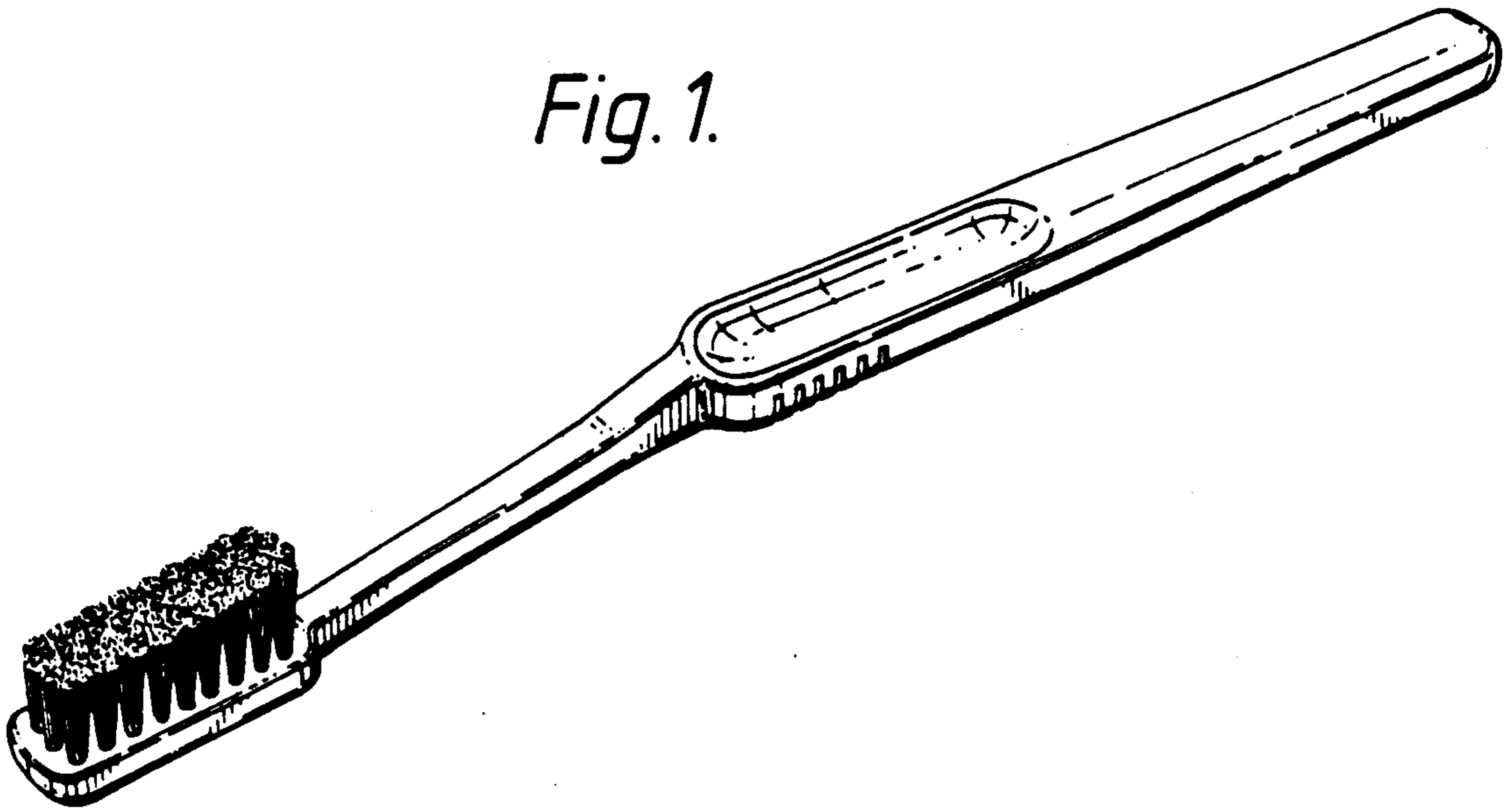
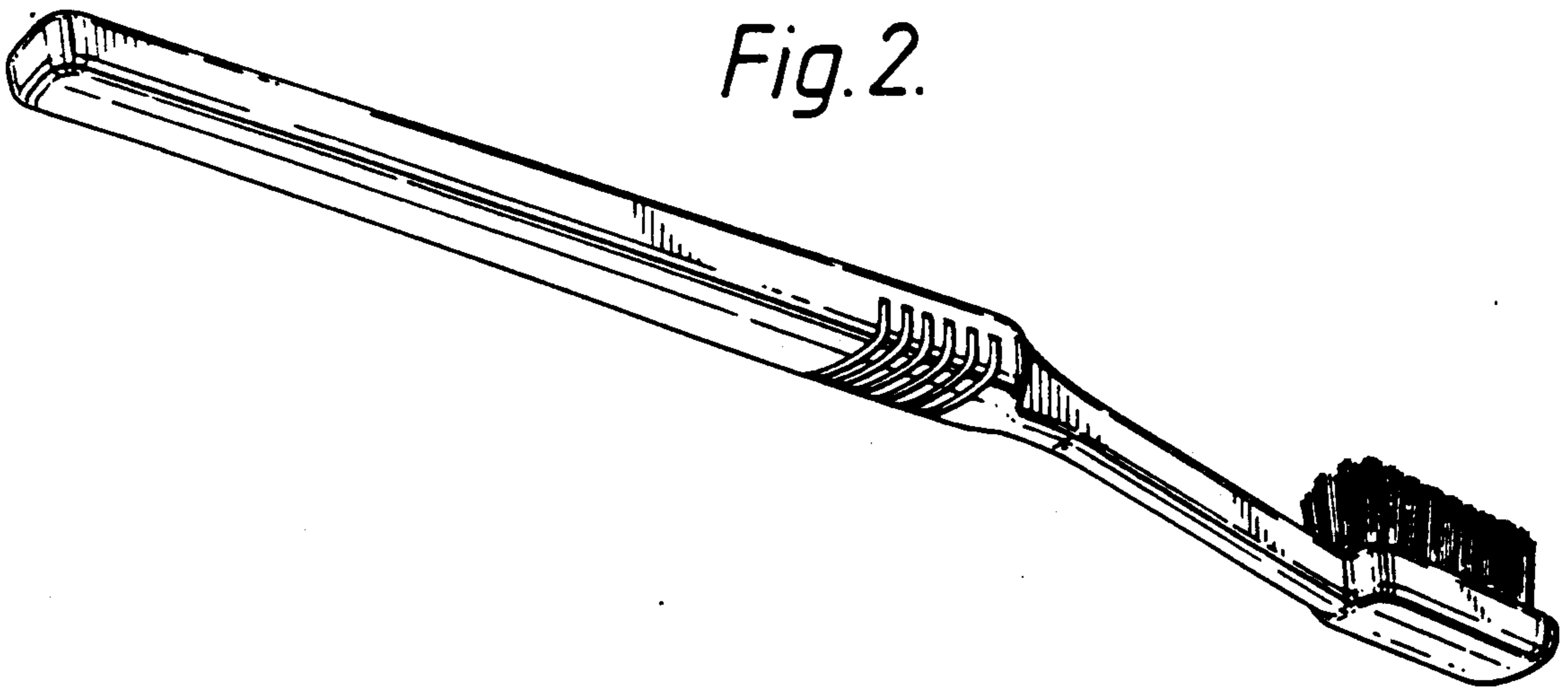


Fig. 2.



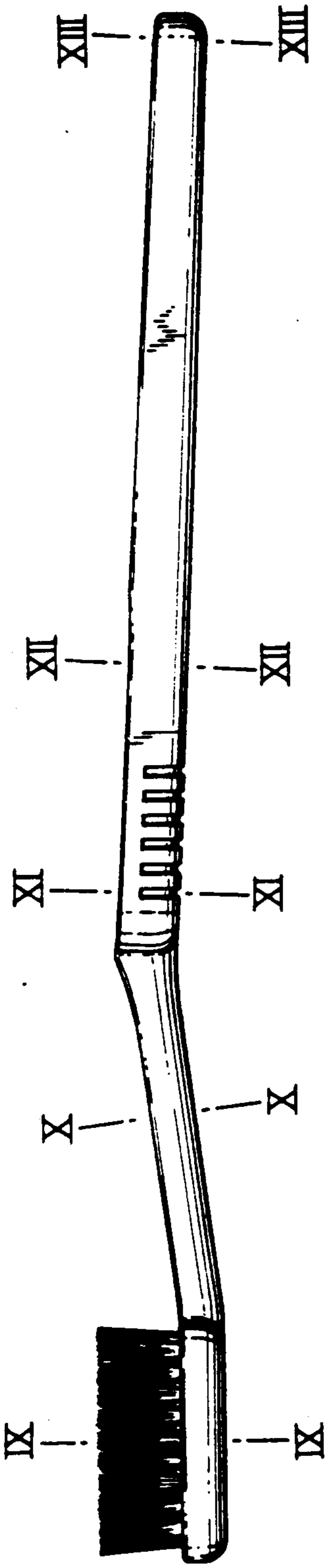


Fig. 3.

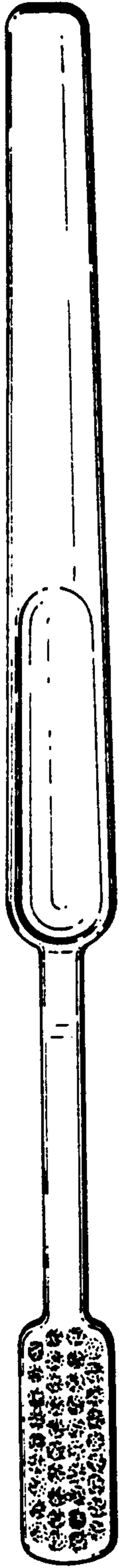


Fig. 4.



Fig. 5.

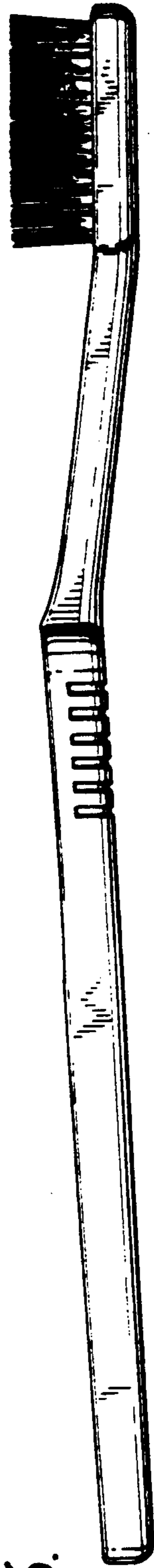


Fig. 6.

Fig.7.



Fig.8.



Fig.9.



Fig.10.



Fig.11.



Fig.12.



Fig.13.



Fig.14.

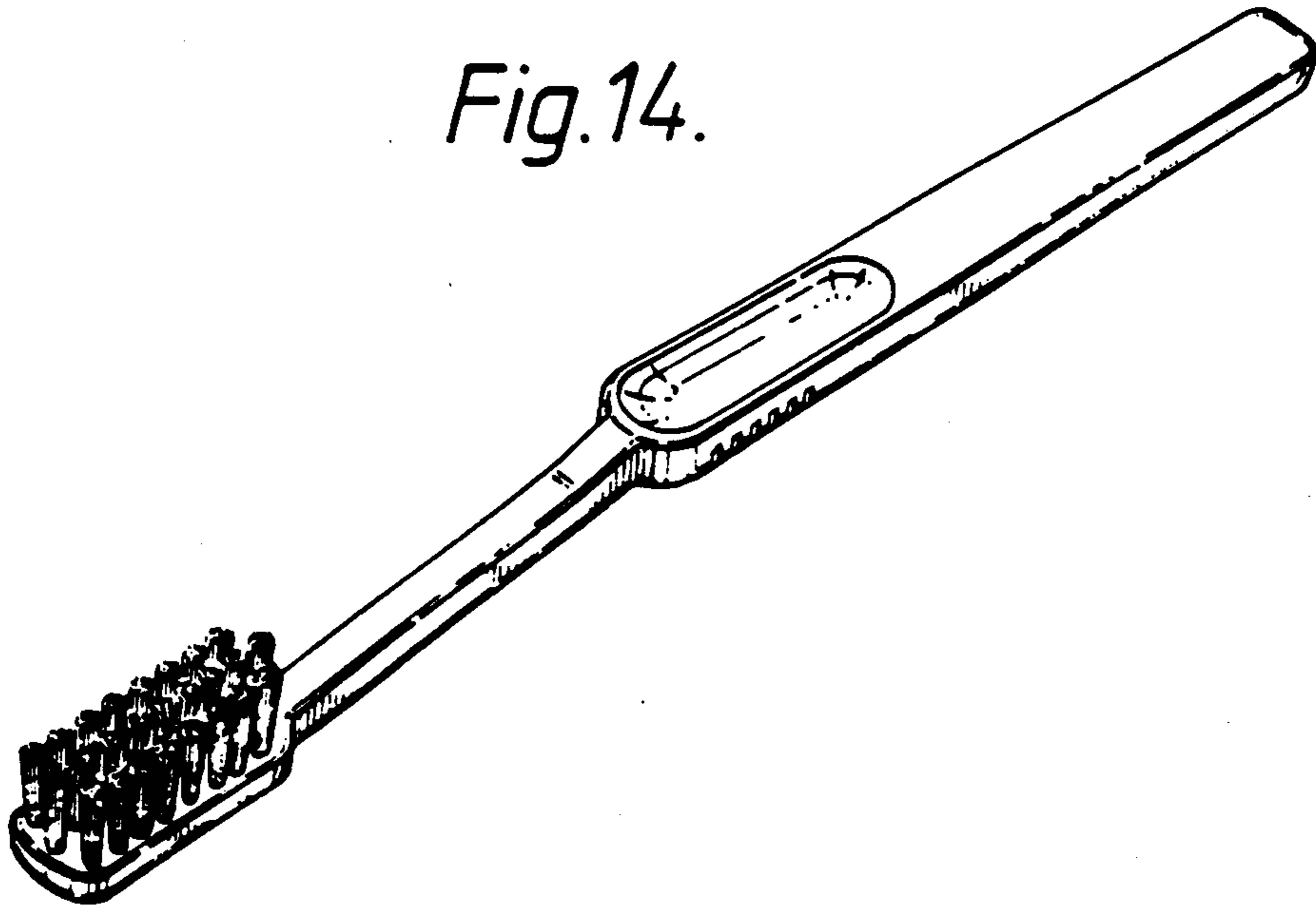
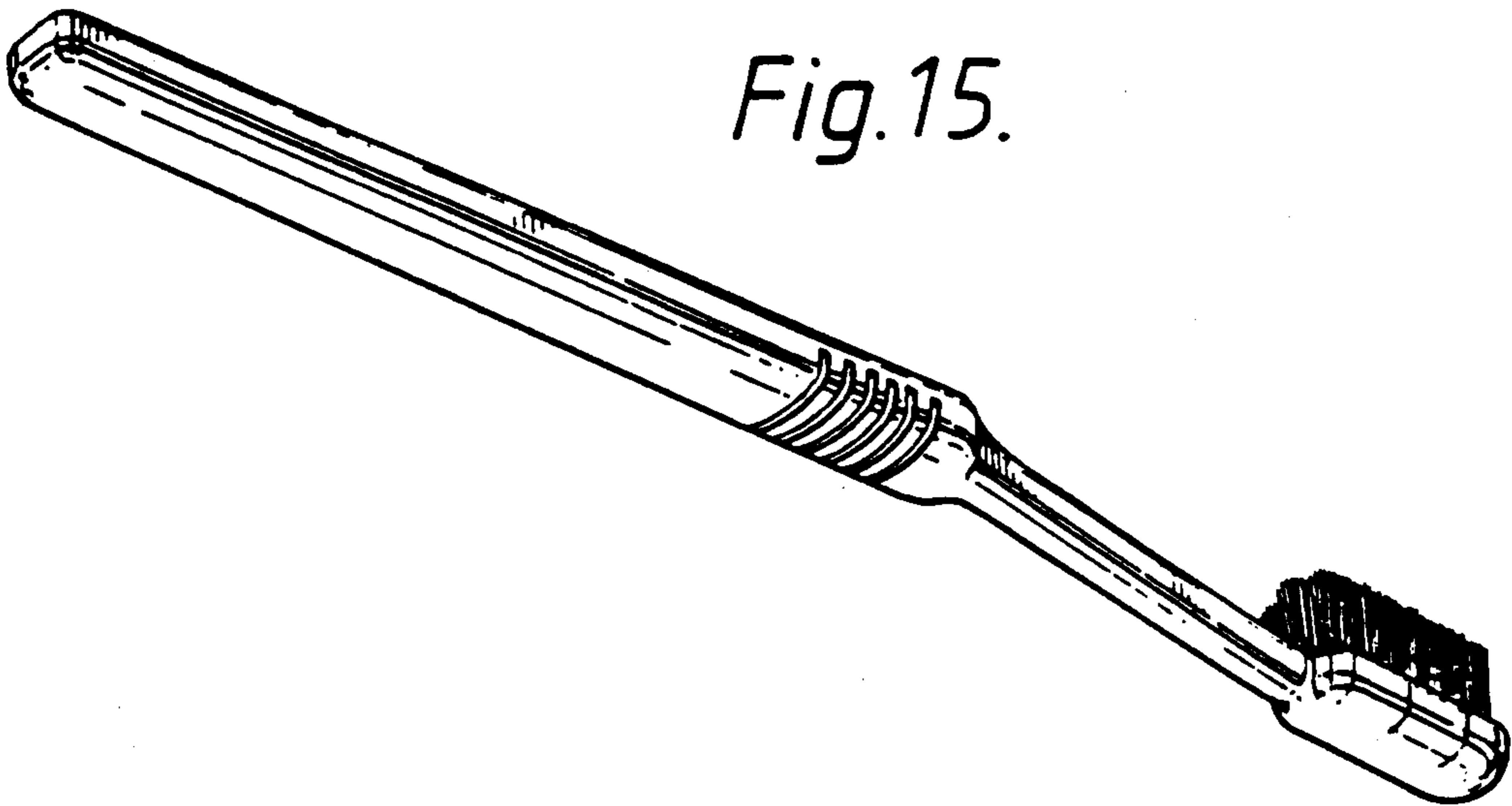


Fig.15.



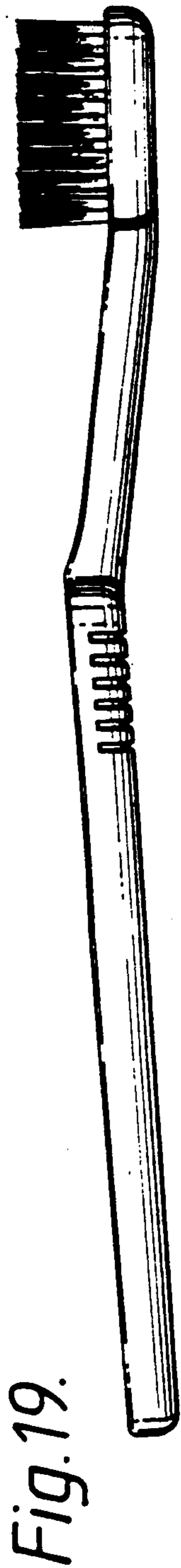
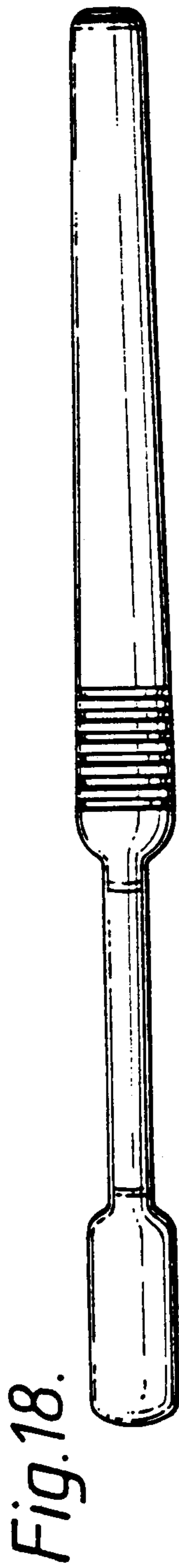
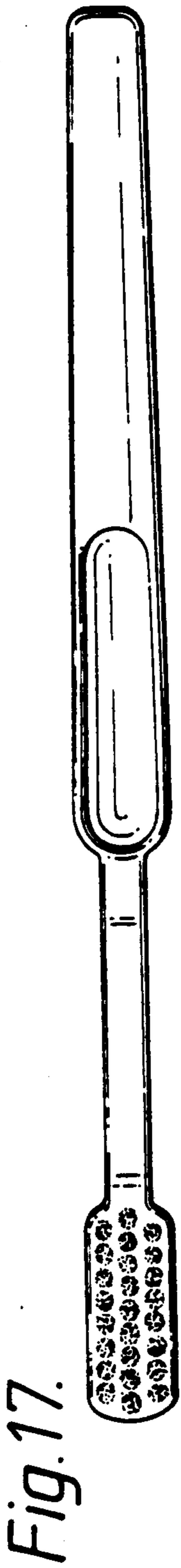
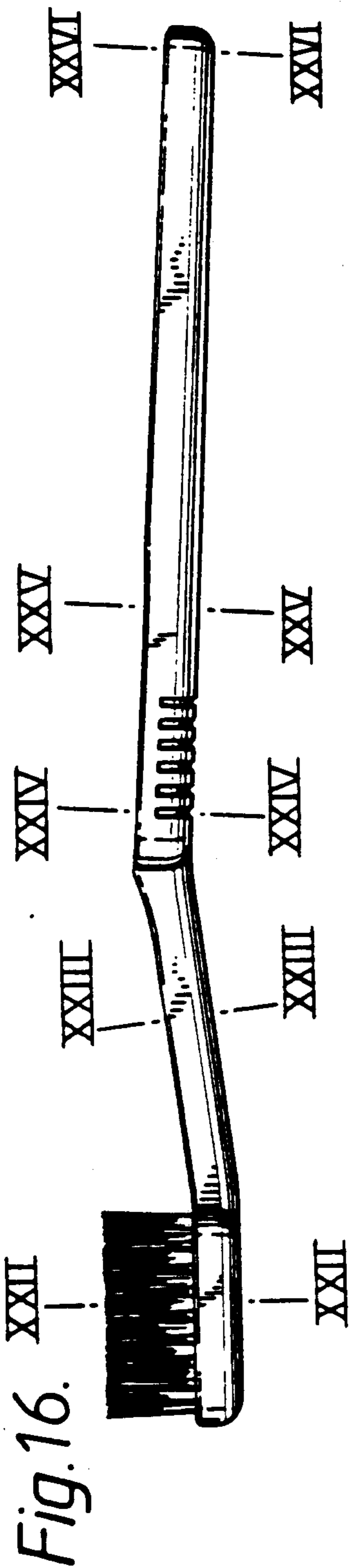


Fig. 20.



Fig. 21.



Fig. 22.



Fig. 23.



Fig. 24.



Fig. 25.



Fig. 26.

