

[54] ARM BAND WITH IDENTIFICATION HOLDER OR THE LIKE

[75] Inventor: Stanley Walasek, Shavertown, Pa.

[73] Assignee: Stuart Promotional Products, Inc., Nanticoke, Pa.

[**] Term: 14 Years

[21] Appl. No.: 259,611

[22] Filed: Oct. 19, 1988

[52] U.S. Cl. D3/106; D3/100

[58] Field of Search D3/106, 100, 36, 79, D3/104; 206/315.1; 224/227, 224, 222, 221; 43/57.1; 190/119; 150/117

[56] References Cited

U.S. PATENT DOCUMENTS

D. 265,861	8/1982	Walasek	D3/56
1,972,480	9/1934	Gomi	224/222
2,203,155	6/1940	Jullien et al.	224/222
2,351,158	6/1944	Stelzer	224/227 X
4,415,106	11/1983	Connell et al.	224/221

FOREIGN PATENT DOCUMENTS

1515632 3/1967 France D3/106

Primary Examiner—Louis S. Zarfes
Assistant Examiner—M. N. Pandozzi
Attorney, Agent, or Firm—Joseph Scafetta, Jr.

[57] CLAIM

The ornamental design for an arm band with identification holder or the like, as shown and described.

DESCRIPTION

FIG. 1 is a front elevational view of arm band with identification holder or the like showing a first embodiment of my new design;
FIG. 2 is a rear elevational view thereof;
FIG. 3 is a top plan view, the bottom plan view being a mirror image thereof;
FIG. 4 is a right side elevational view thereof;
FIG. 5 is a left side elevational view thereof;
FIG. 6 is a rear elevational view of an arm band with identification holder or the like showing a second embodiment of my new design; and
FIG. 7 is a front elevational view thereof.
FIGS. 2-5 are identical view of the second embodiment.

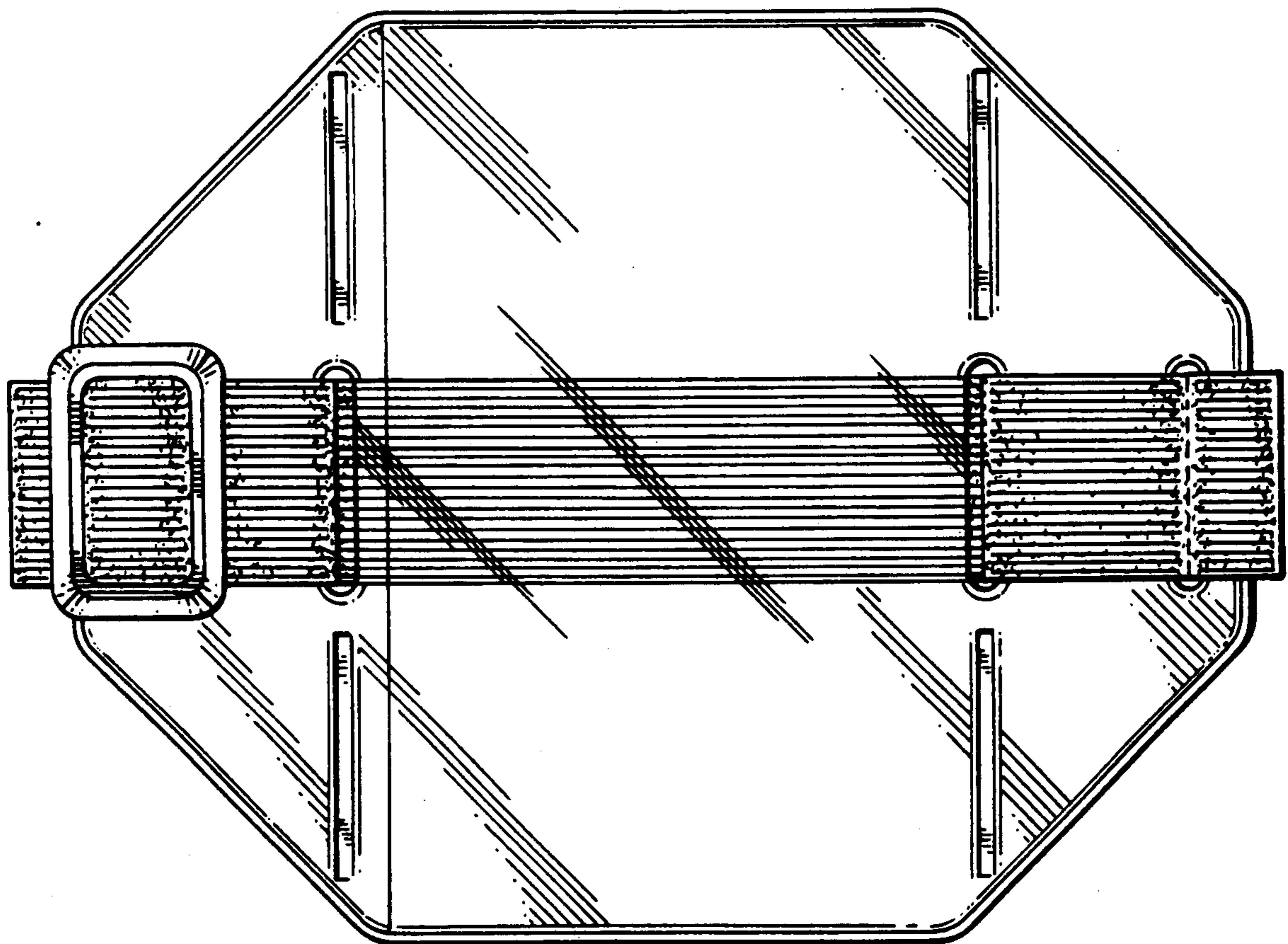


FIG. 1

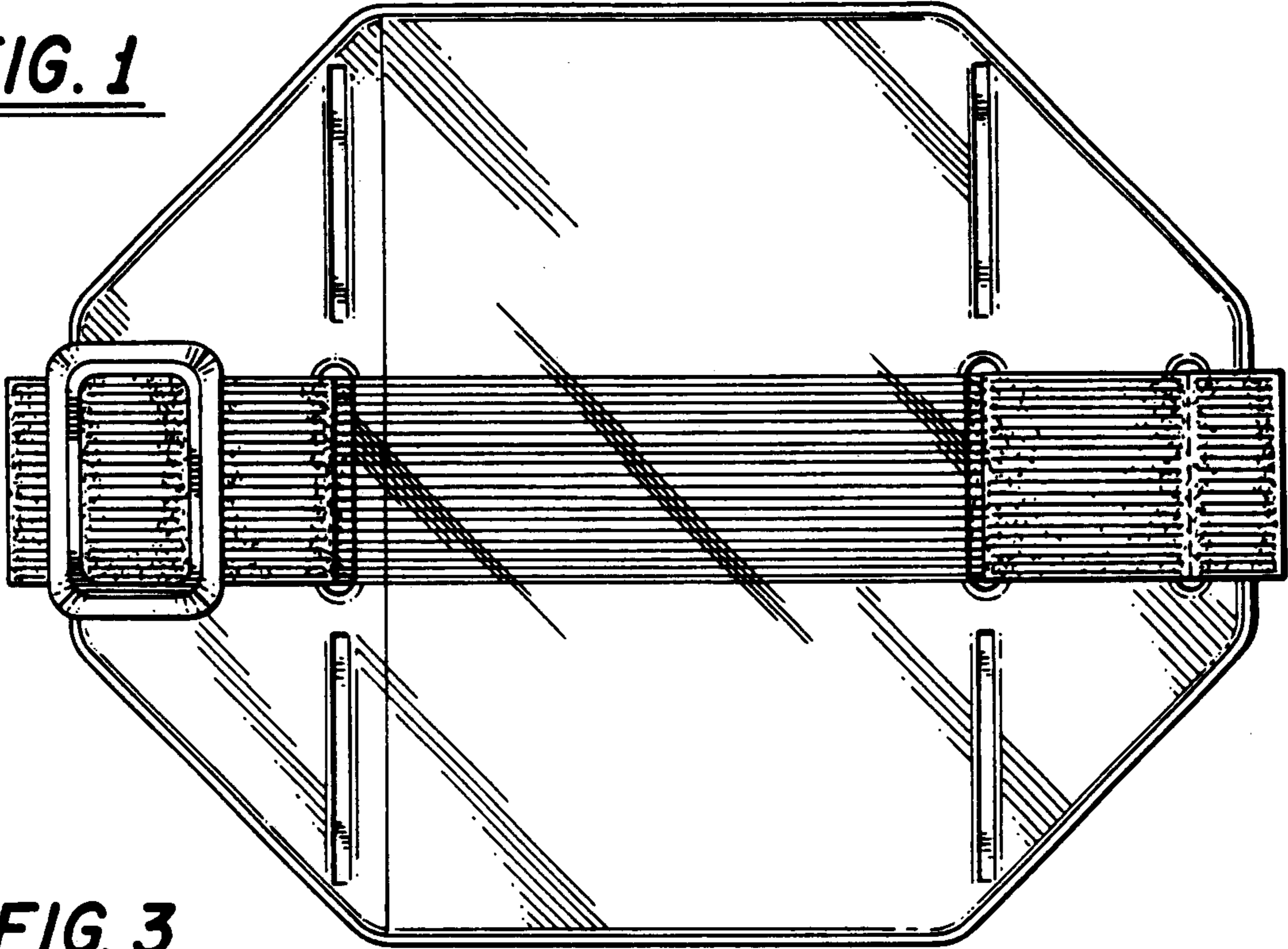


FIG. 3

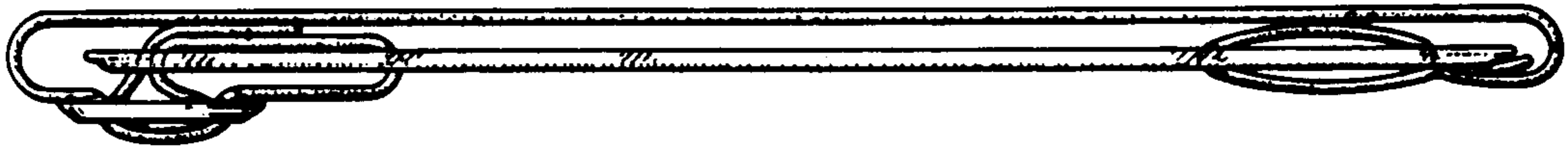


FIG. 2

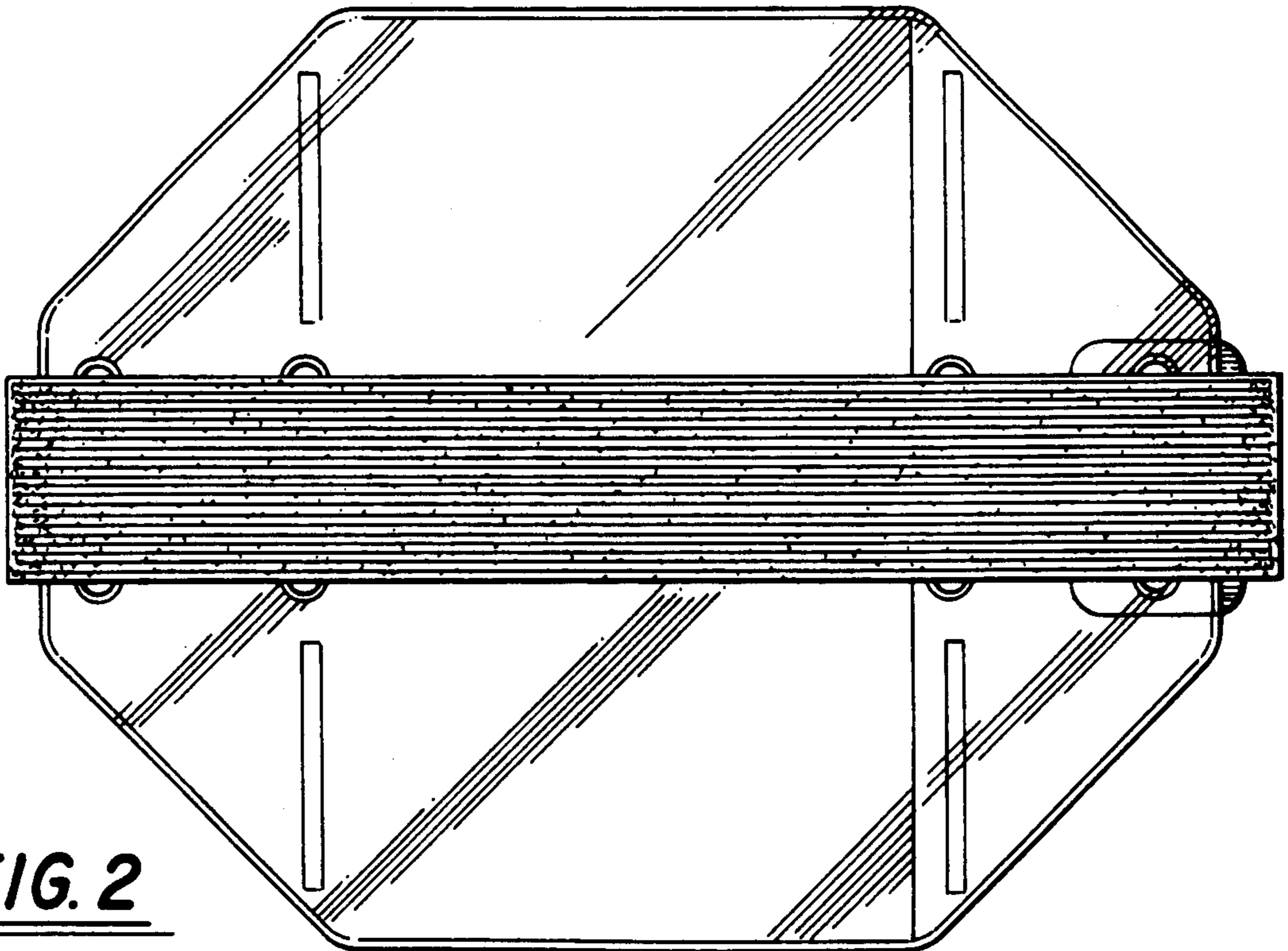


FIG. 4



FIG. 5

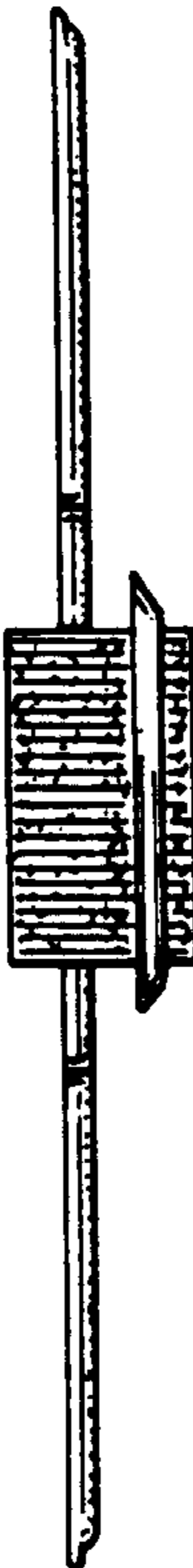
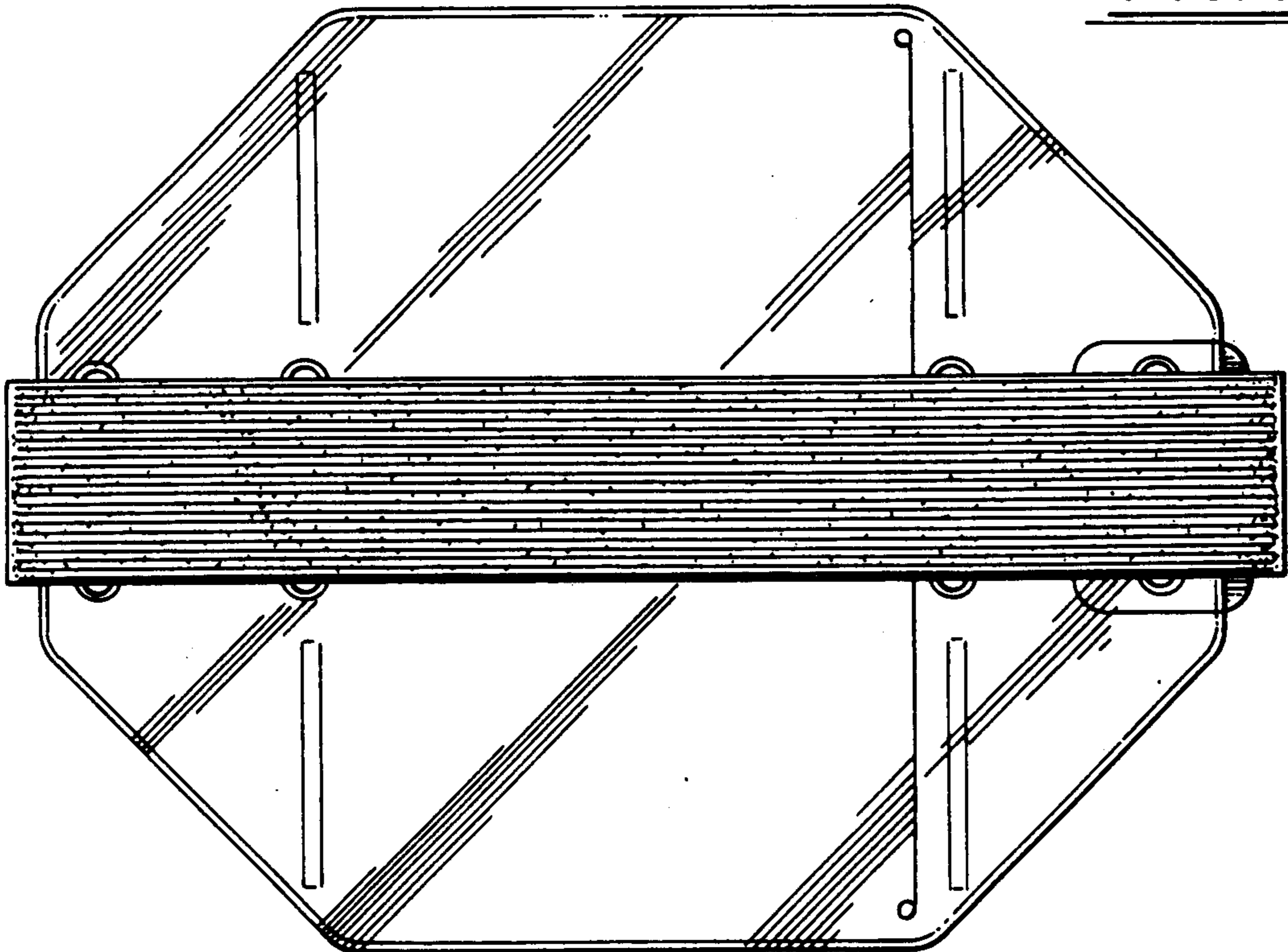


FIG. 6



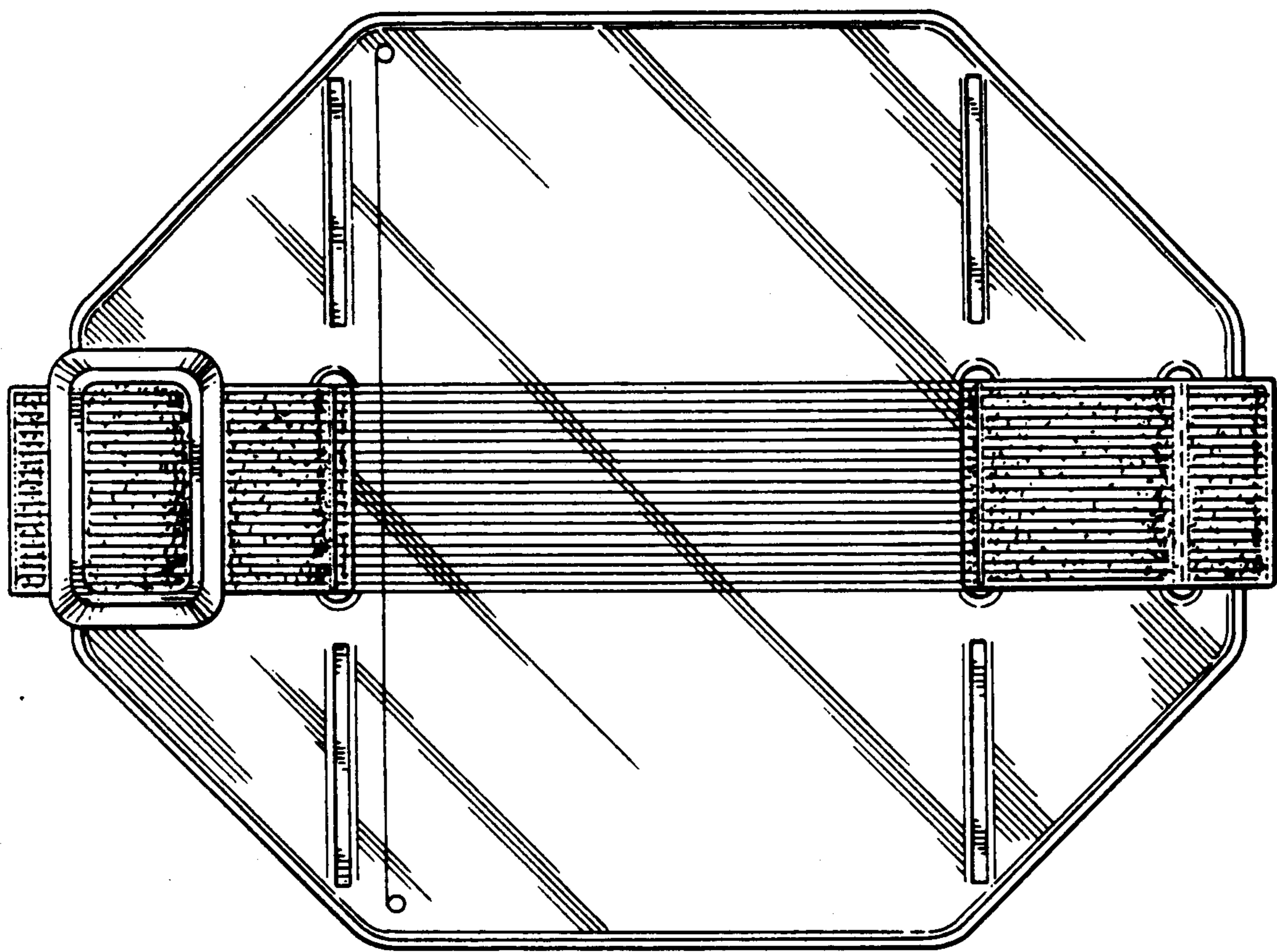


FIG. 7

UNITED STATES PATENT AND TRADEMARK OFFICE
CERTIFICATE OF CORRECTION

PATENT NO. : Des. 318,570
DATED : July 30, 1991
INVENTOR(S) : Stanley Walasek

It is certified that error appears in the above-identified patent and that said Letters Patent is hereby corrected as shown below:

Cover Page, right column, in the list of FOREIGN PATENT DOCUMENTS, "3/1967" should be --1/1968--; and

right column, in the DESCRIPTION of the drawings, penultimate line, "view" should be --views--.

Signed and Sealed this
First Day of September, 1992

Attest:

Attesting Officer

DOUGLAS B. COMER

Acting Commissioner of Patents and Trademarks