

[54] CART

[76] Inventor: Boyd G. Ayres, R.R. #1, Wawaka, Ind. 46794

[**] Term: 14 Years

[21] Appl. No.: 208,003

[22] Filed: Jun. 16, 1988

[52] U.S. Cl. D34/24; D34/16

[58] Field of Search D34/12, 16, 24, 25, D34/26; 280/47.26, 47.31, 639, 645, 47.27, 47.28, 47.32

[56]

References Cited

U.S. PATENT DOCUMENTS

D. 245,971	10/1977	Martens	D34/16
2,189,079	2/1940	Mueller et al.	280/47.26
3,479,048	11/1969	Carlson	280/47.26
4,335,897	6/1982	Muller, Jr.	280/47.26
4,353,596	10/1982	Gibson	280/47.26

FOREIGN PATENT DOCUMENTS

8903785 5/1989 World Int. Prop. O. 280/47.26

Primary Examiner—Kay H. Chin

Attorney, Agent, or Firm—Lundy and Walker

[57]

CLAIM

The ornamental design for a cart, as shown and described.

DESCRIPTION

FIG. 1 is a top plan view of a cart showing my new design;

FIG. 2 is a bottom plan view thereof;

FIG. 3 is a right side elevational view thereof;

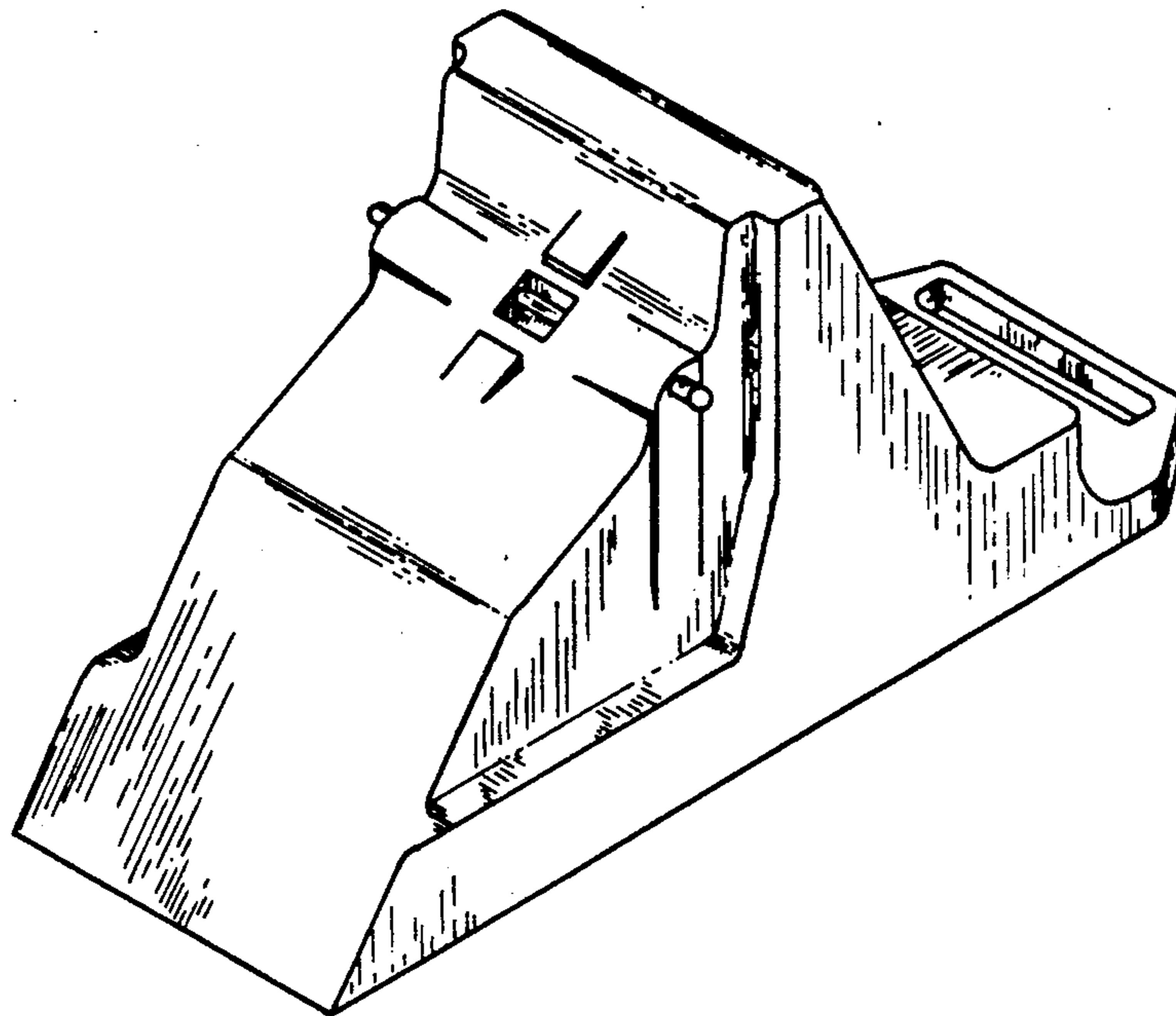
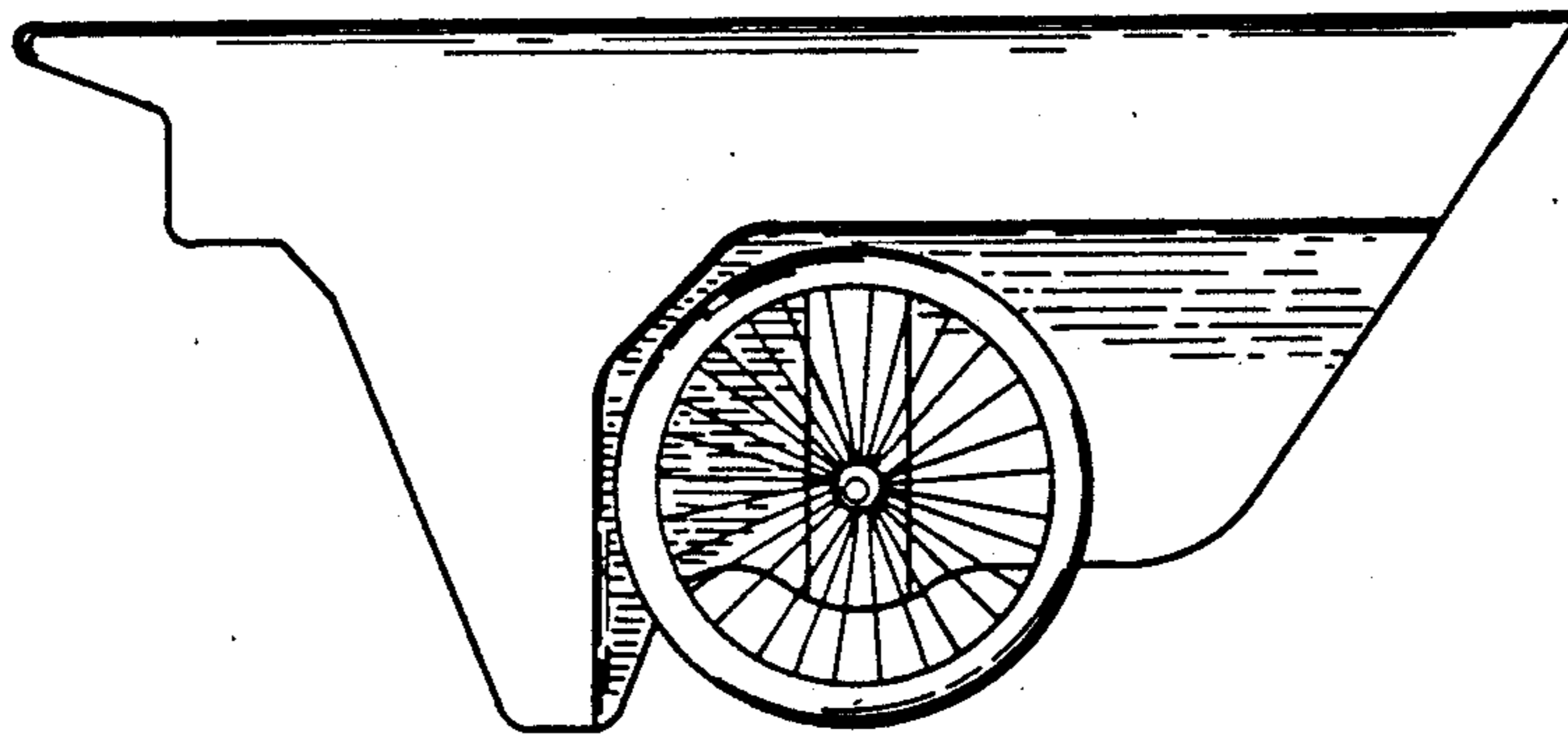
FIG. 4 is a front elevational view thereof;

FIG. 5 is a rear elevational view thereof;

FIG. 6 is a left side elevational view thereof.

FIG. 7 is a top perspective view thereof, the wheels removed for clarity of illustration; and

FIG. 8 is a bottom perspective view thereof, with the wheels removed.



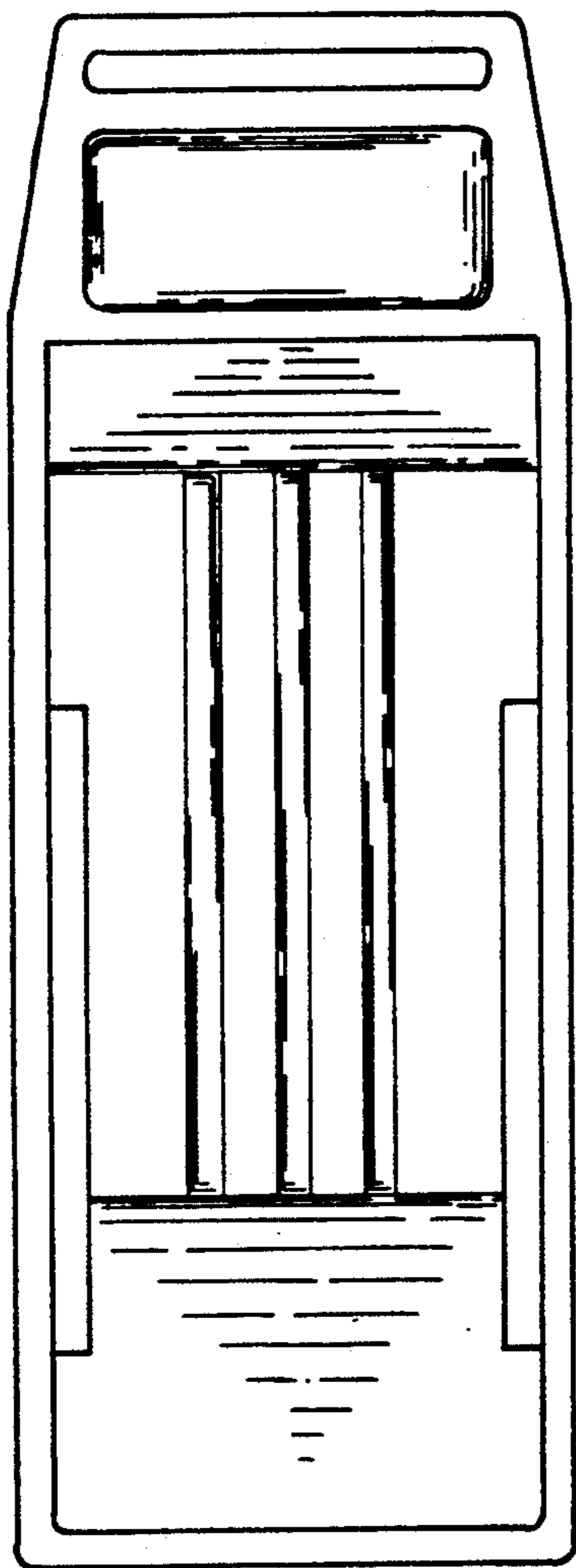


FIG. 1

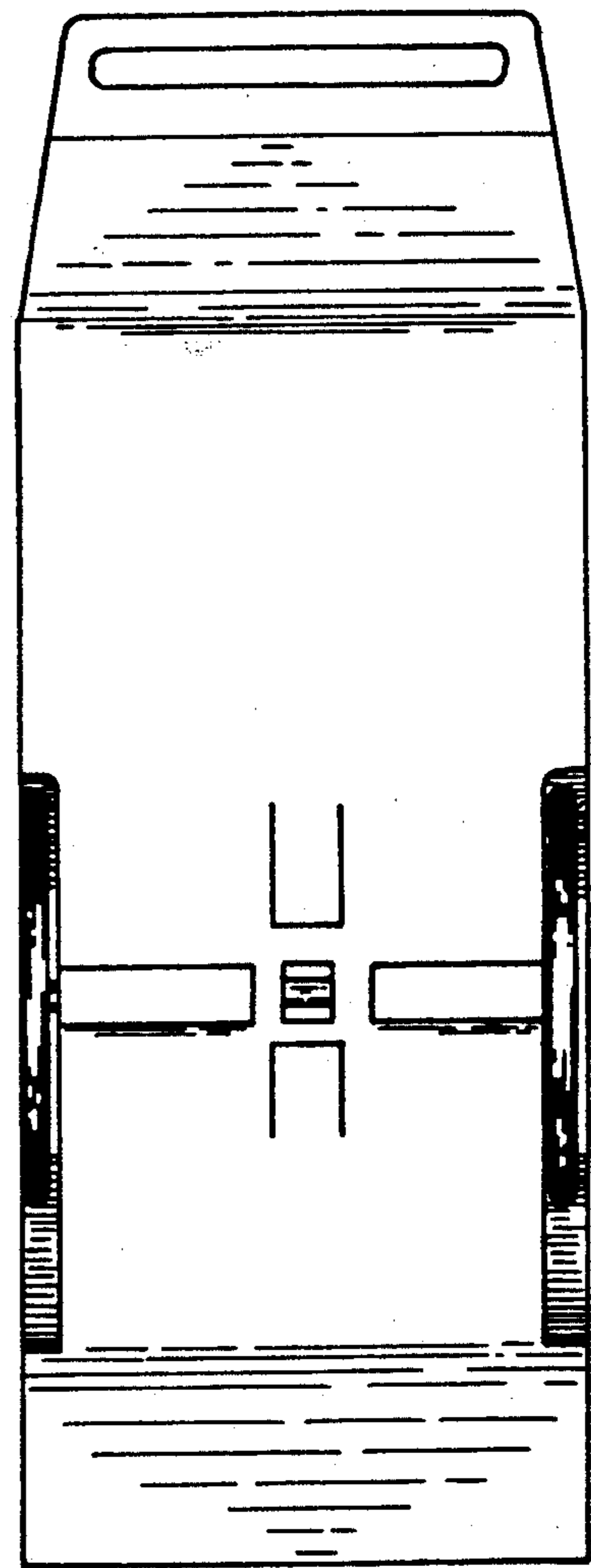


FIG. 2

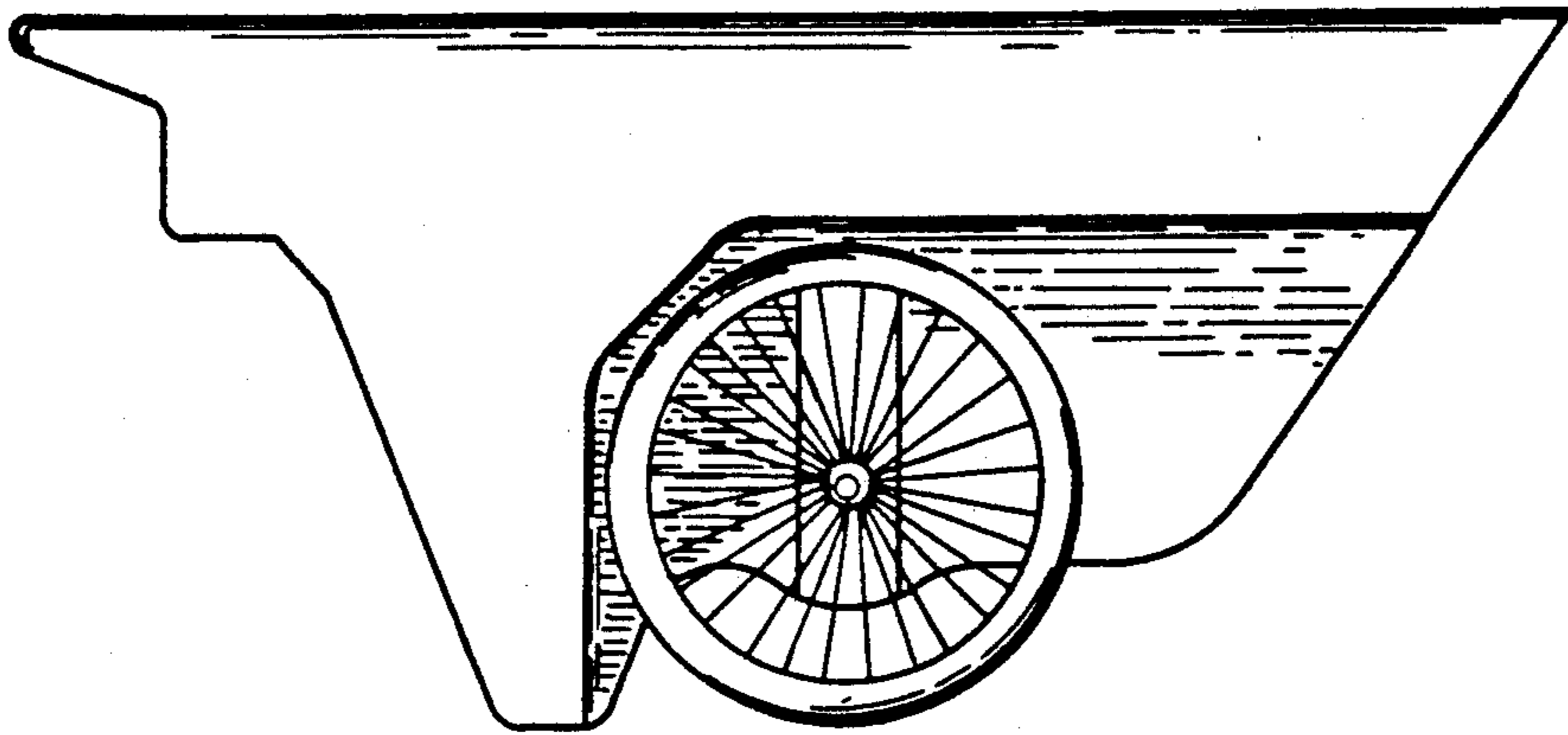


FIG. 3

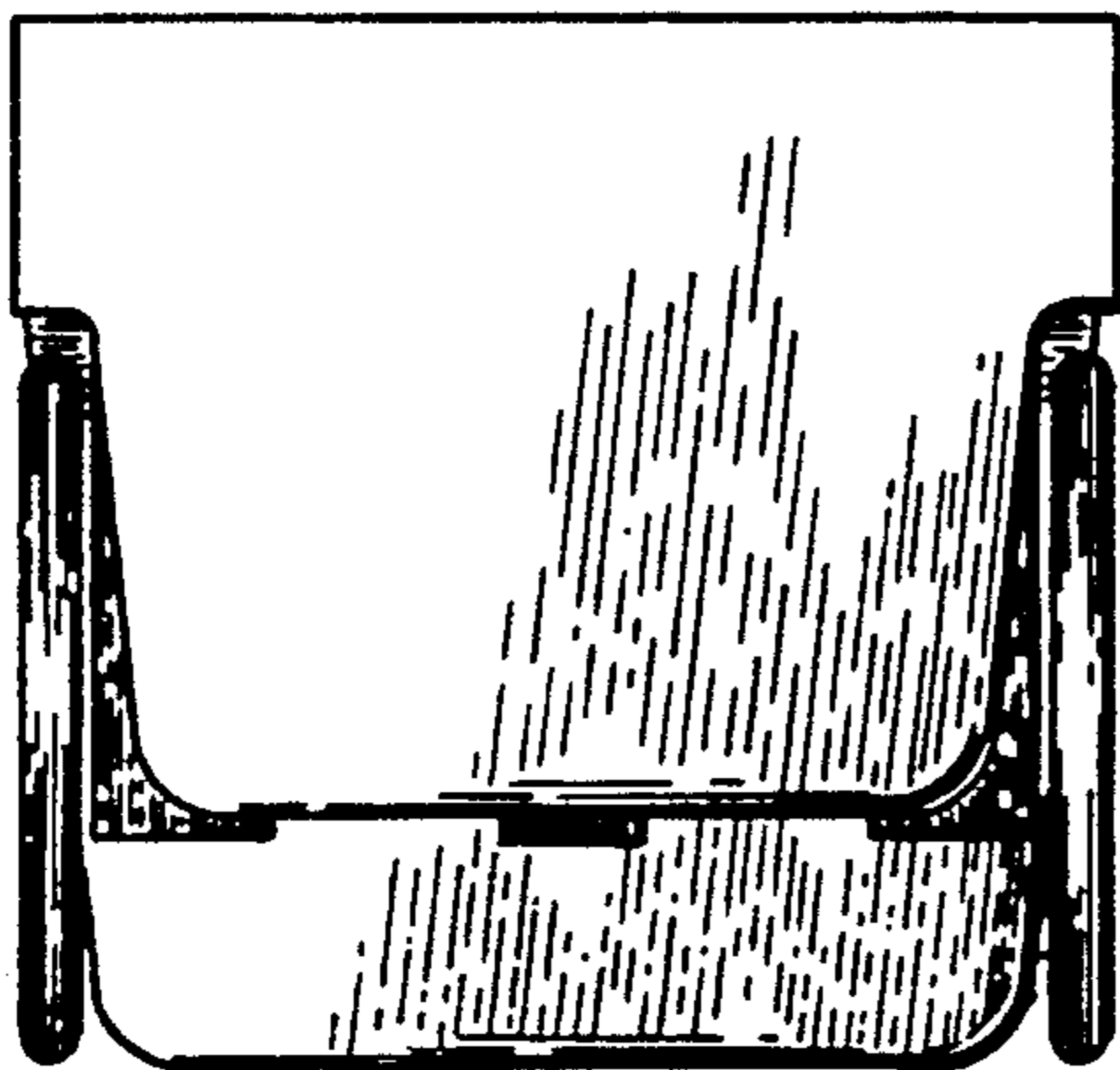


FIG. 4

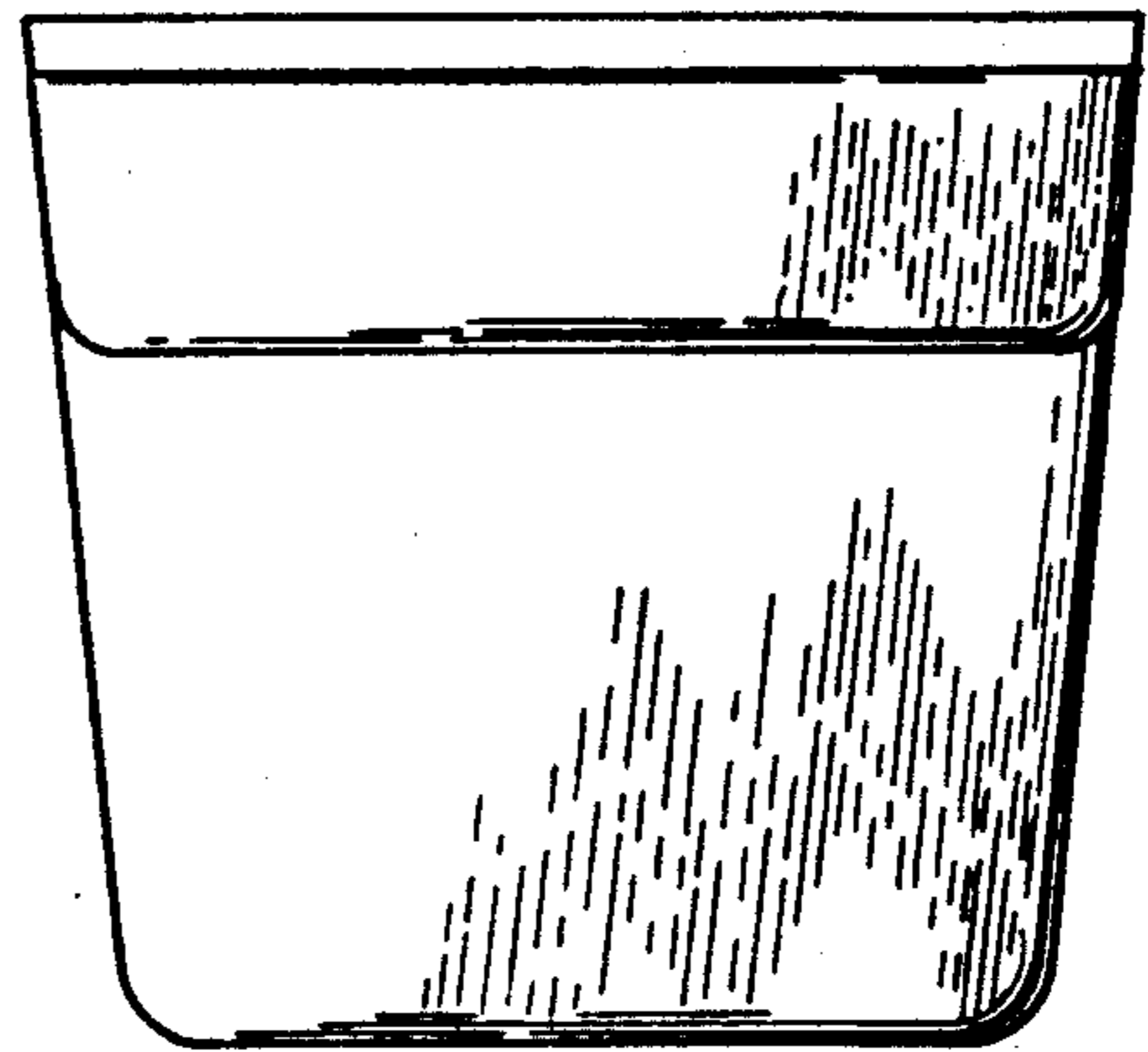


FIG. 5

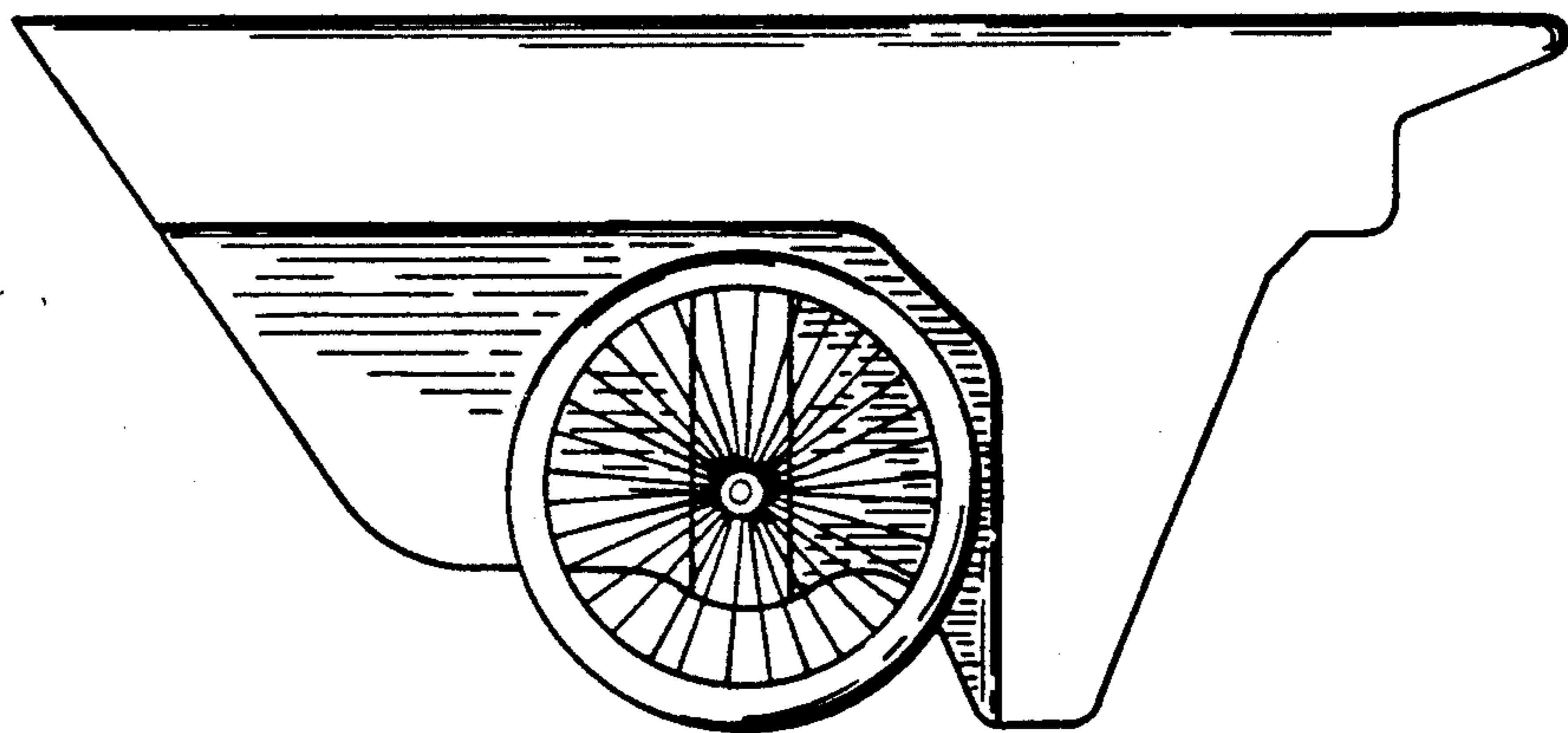


FIG. 6

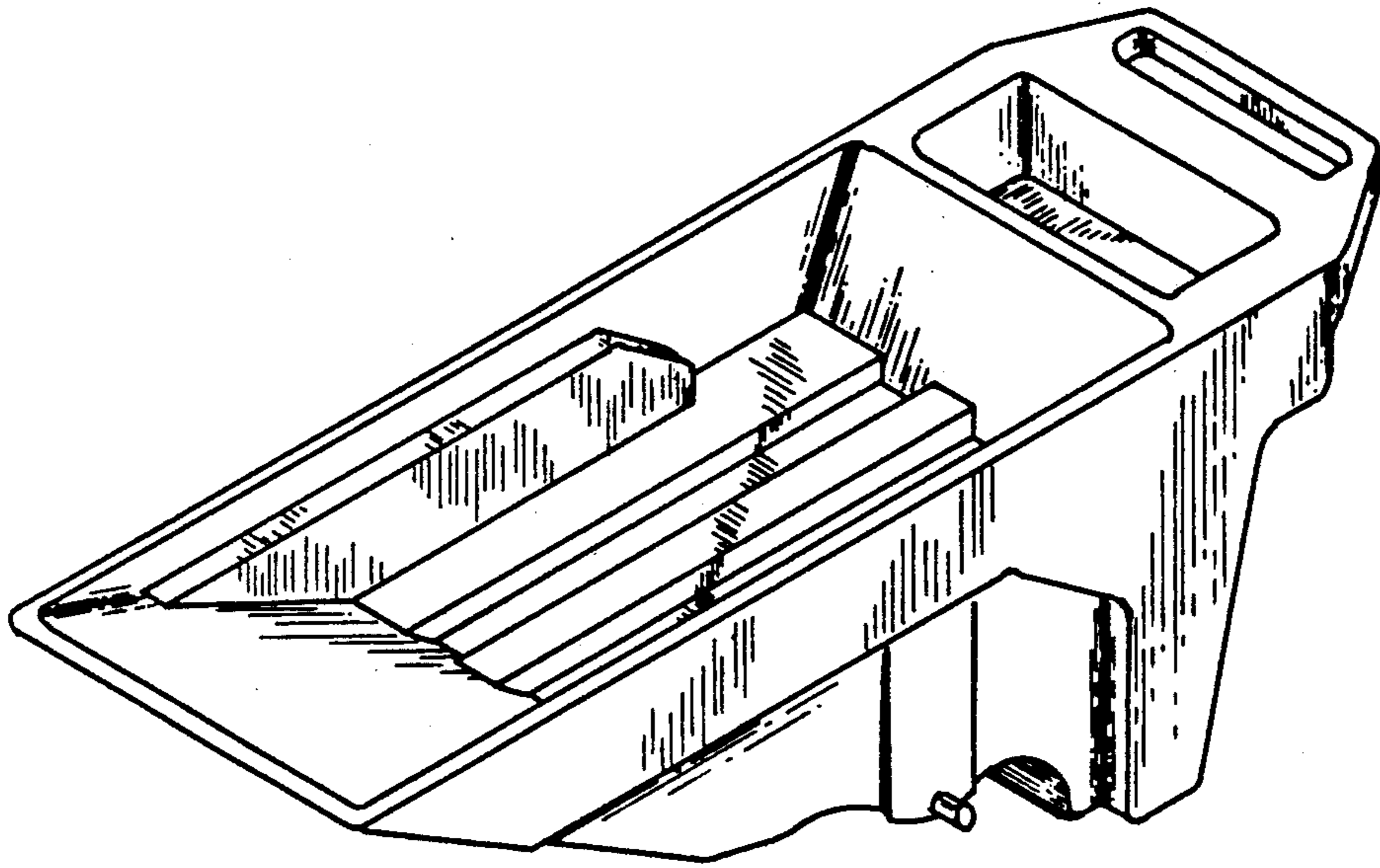


FIG. 7

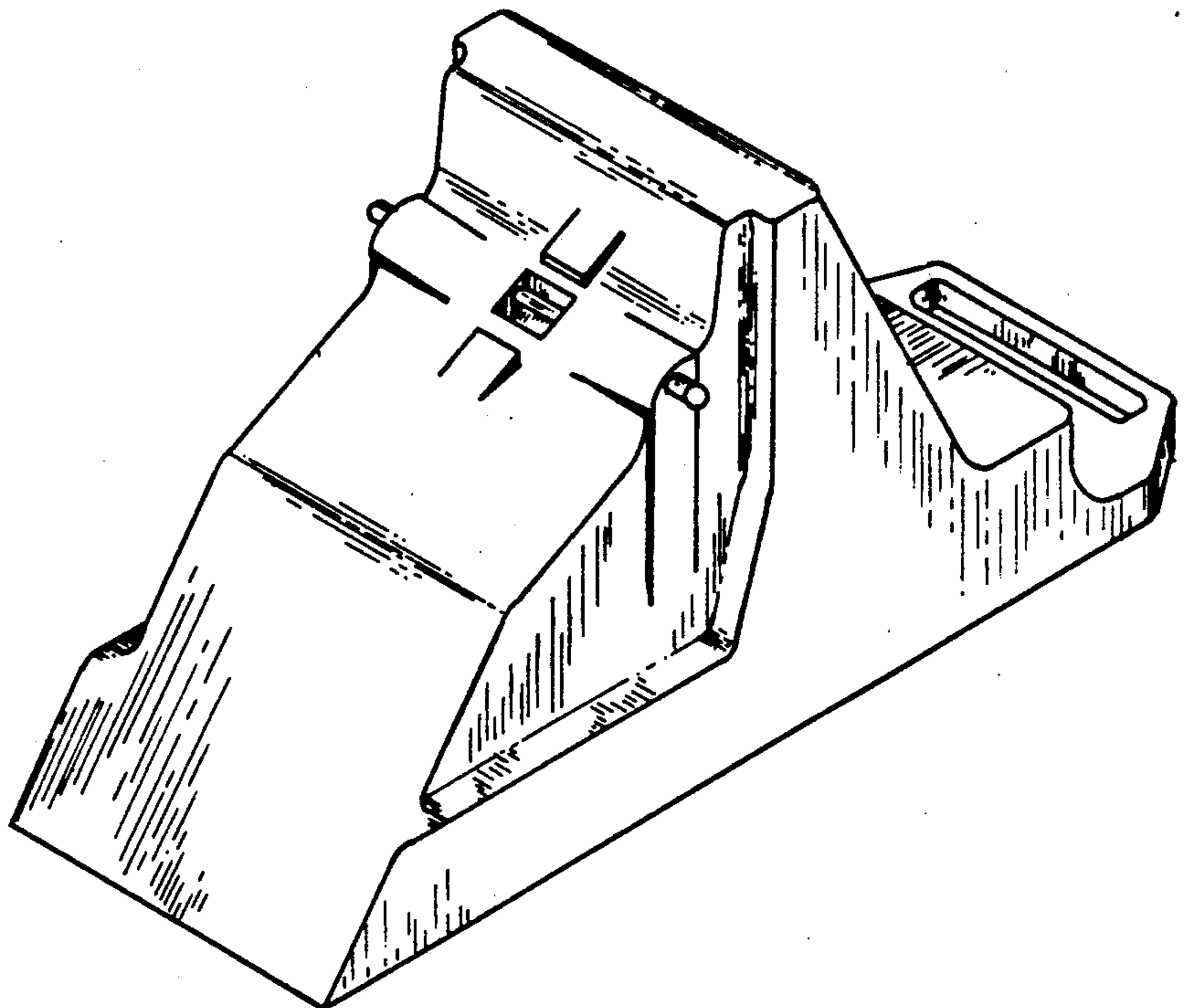


FIG. 8