

[54] **SUPPORT FOR A FLATIRON**
[75] **Inventor: Giuseppe Giannelli, Olgiate Comasco, Italy**
[73] **Assignee: Micromax S.p.A., Como, Italy**
[**] **Term: 14 Years**
[21] **Appl. No.: 417,751**
[22] **Filed: Oct. 5, 1989**
[52] **U.S. Cl. D32/73**
[58] **Field of Search D32/71, 73; 38/75, 79, 38/94, 96, 141-142; 219/246-247, 259; 248/117.1-117.7; D14/114**

154149 4/1932 Switzerland 248/117.2

Primary Examiner—Wallace R. Burke
Assistant Examiner—Lavone D. Tabor
Attorney, Agent, or Firm—Sughrue, Mion, Zinn, Macpeak & Seas

[57] **CLAIM**

The ornamental design for a support for a flatiron, as shown and described.

DESCRIPTION

FIG. 1 is a front elevational view of a support for a flatiron showing my new design; FIG. 2 is a top plan view thereof; FIG. 3 is a side elevational view of one side thereof; FIG. 4 is a side elevational view of the opposite side thereof; FIG. 5 is a rear elevational view thereof; FIG. 6 is a bottom plan view thereof; and FIG. 7 is a perspective view of the top, front and said one side thereof. FIGS. 2 and 6 are shown on a reduced scale and FIG. 7 is shown on an enlarged scale.

[56] **References Cited**
U.S. PATENT DOCUMENTS
D. 132,850 6/1942 Cissell D32/73
D. 284,284 6/1986 Manock et al. D14/114
FOREIGN PATENT DOCUMENTS
520218 3/1931 Fed. Rep. of Germany ... 248/117.2

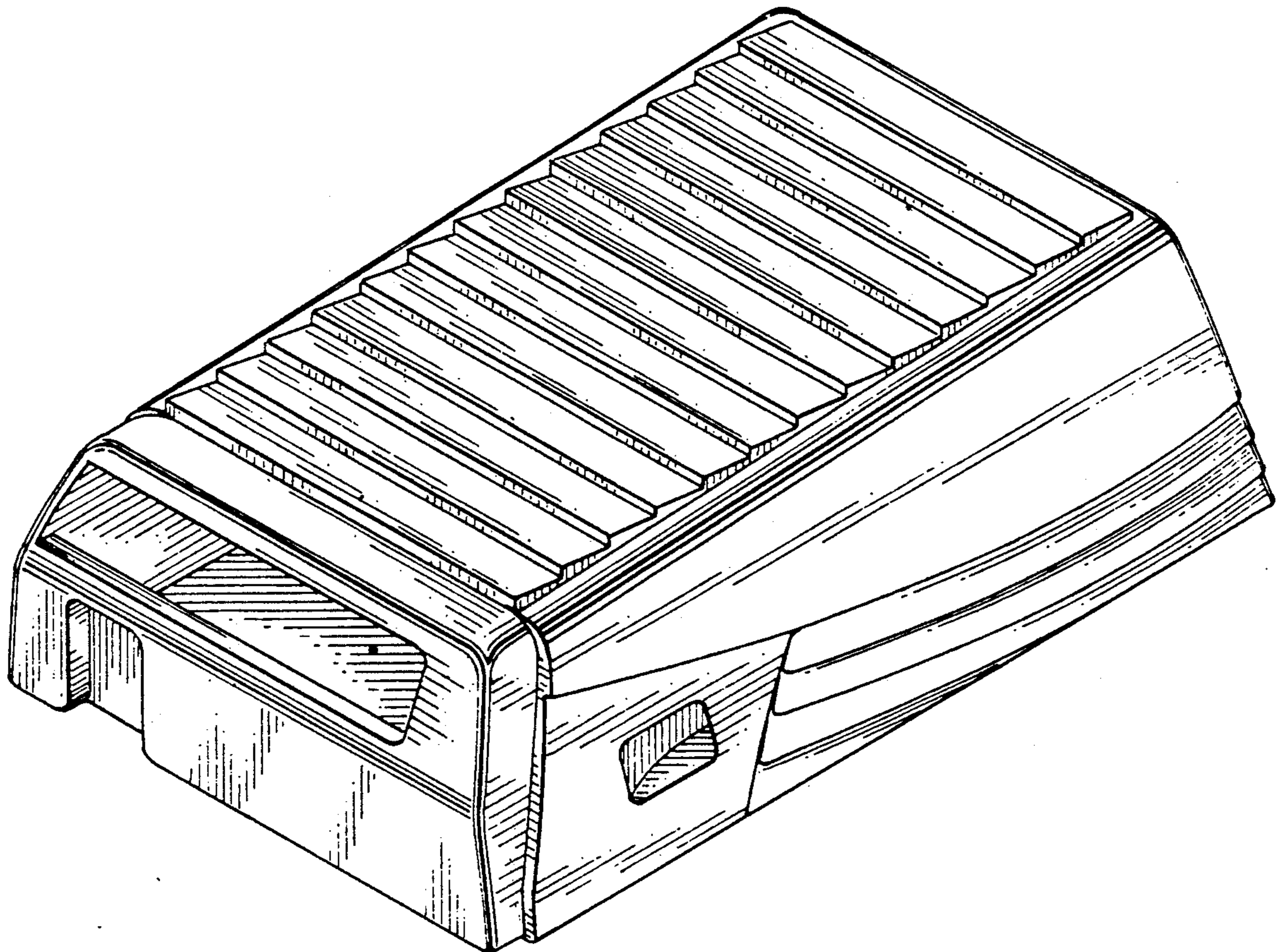


FIG. 1

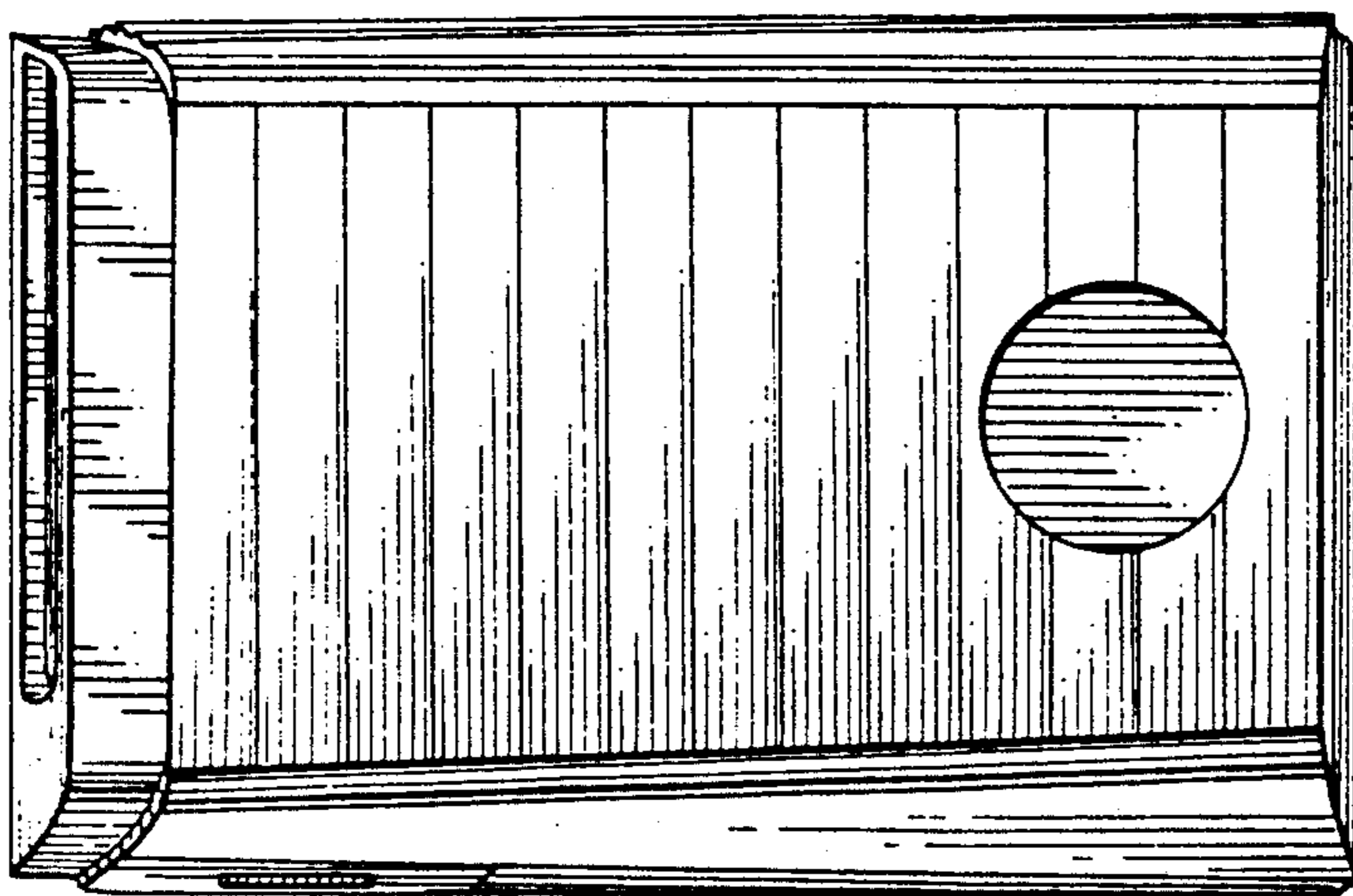
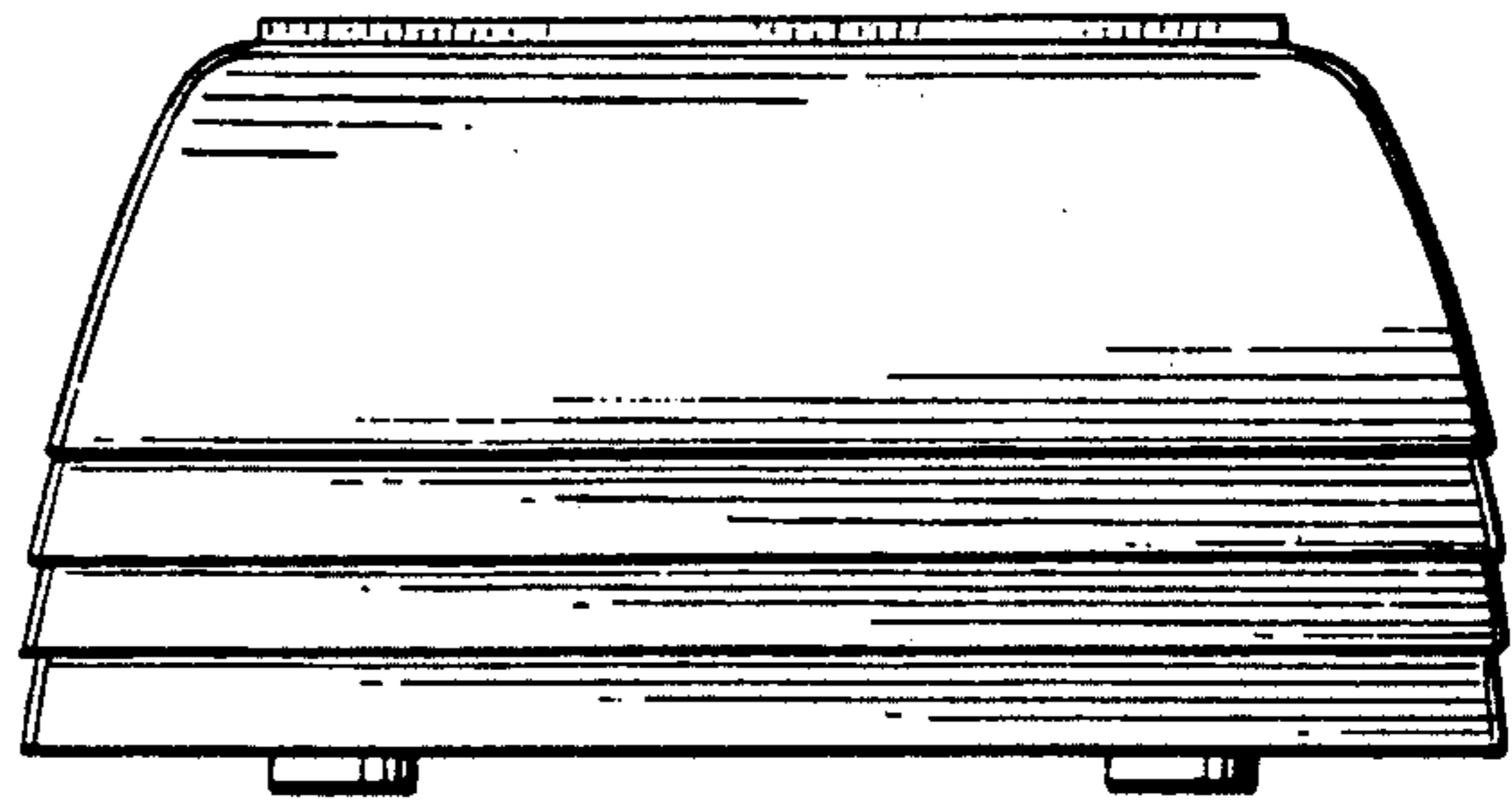


FIG. 2

FIG. 3

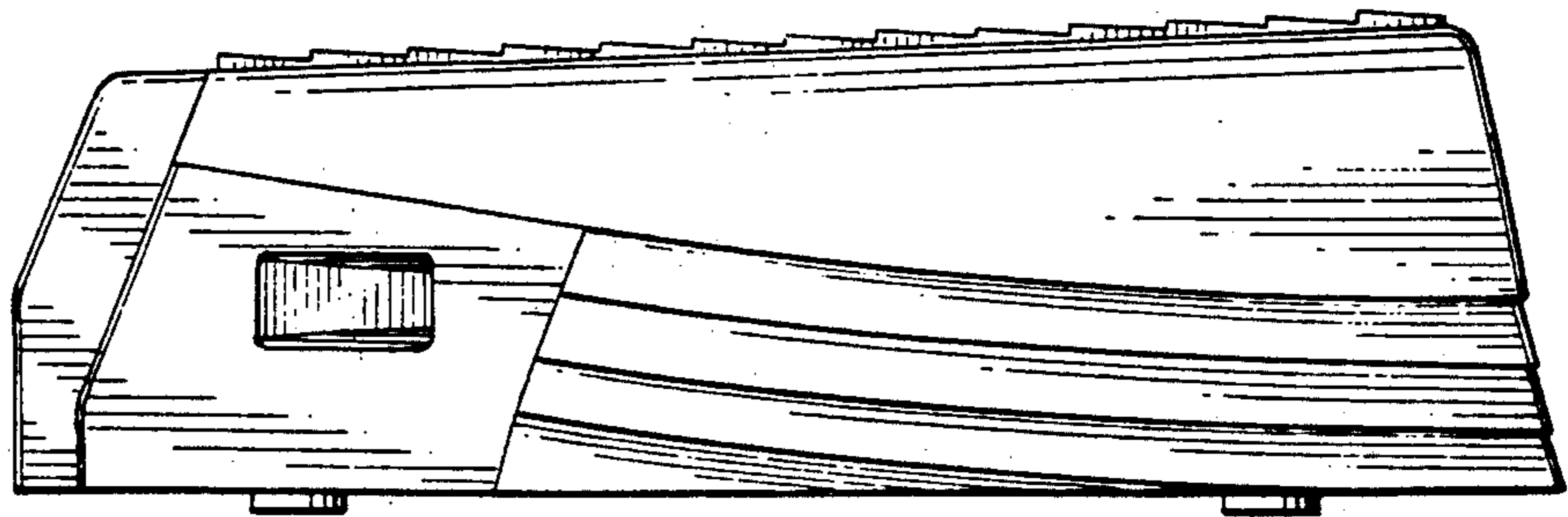


FIG. 4

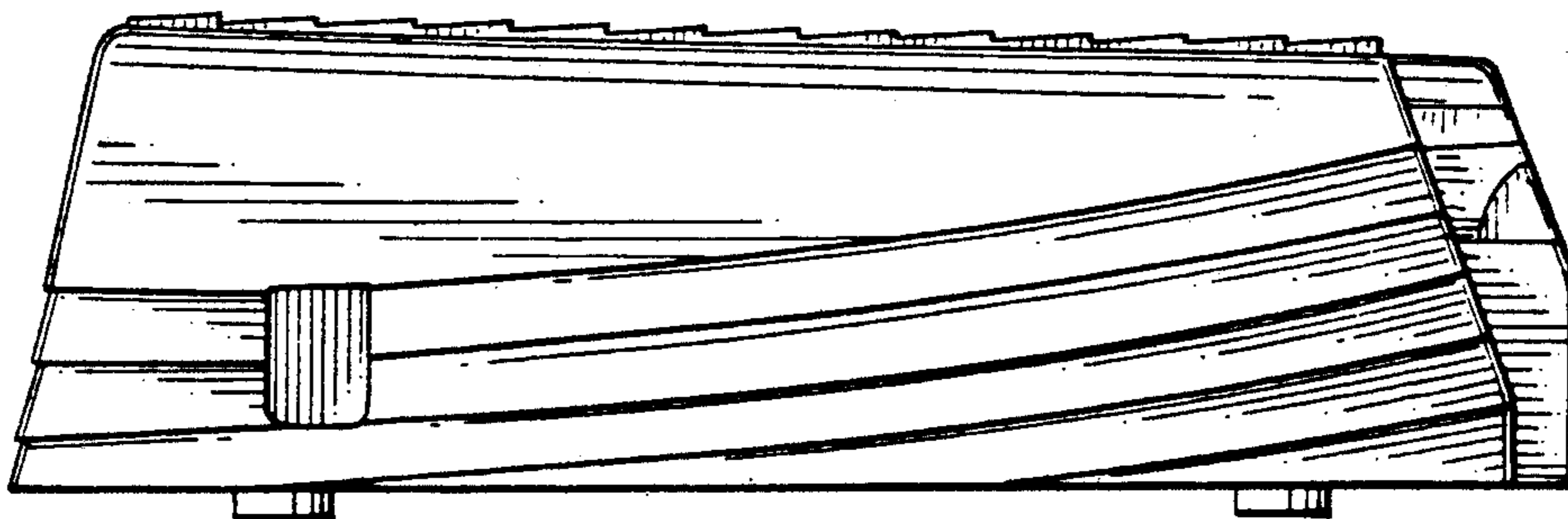


FIG. 5

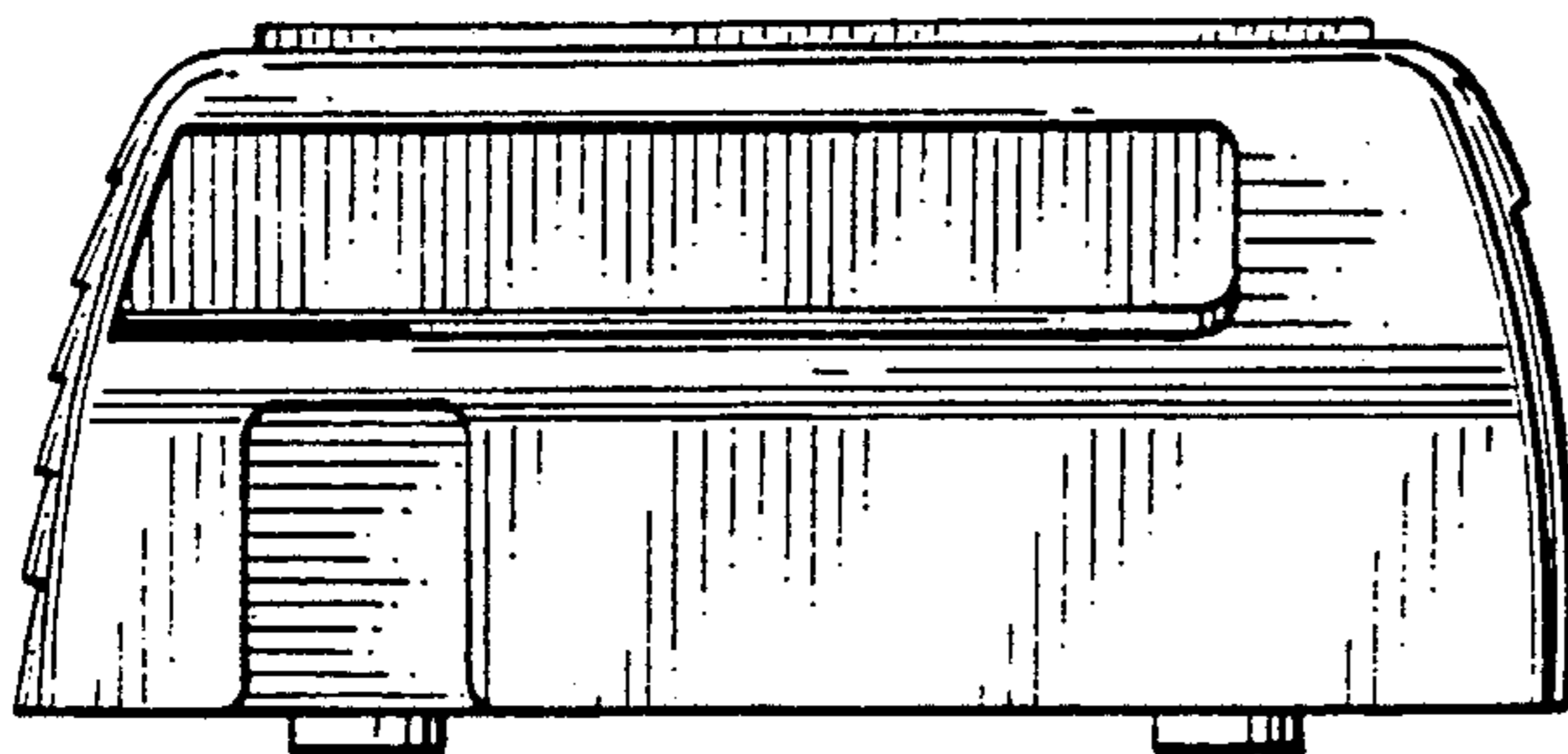
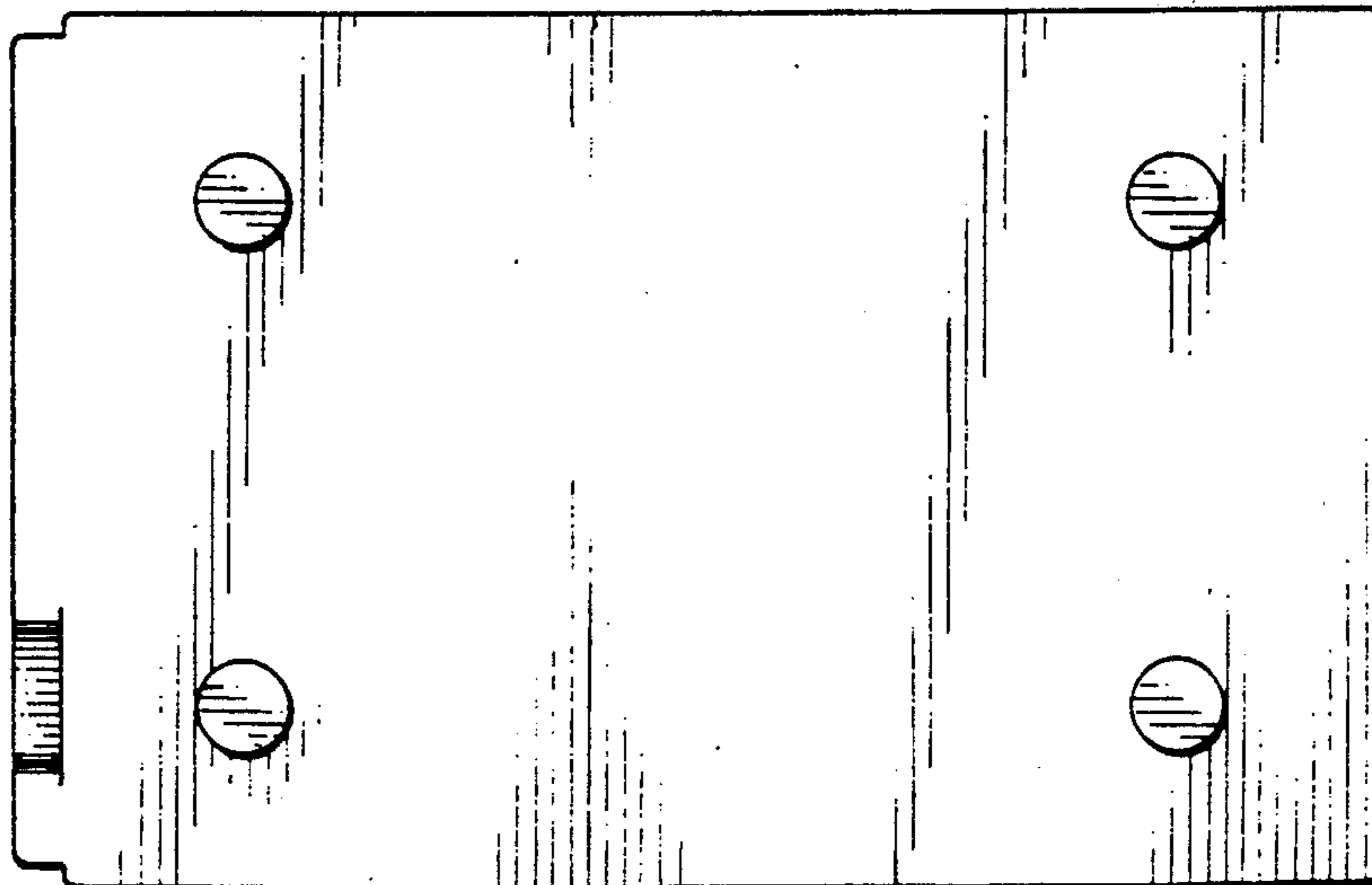


FIG. 6



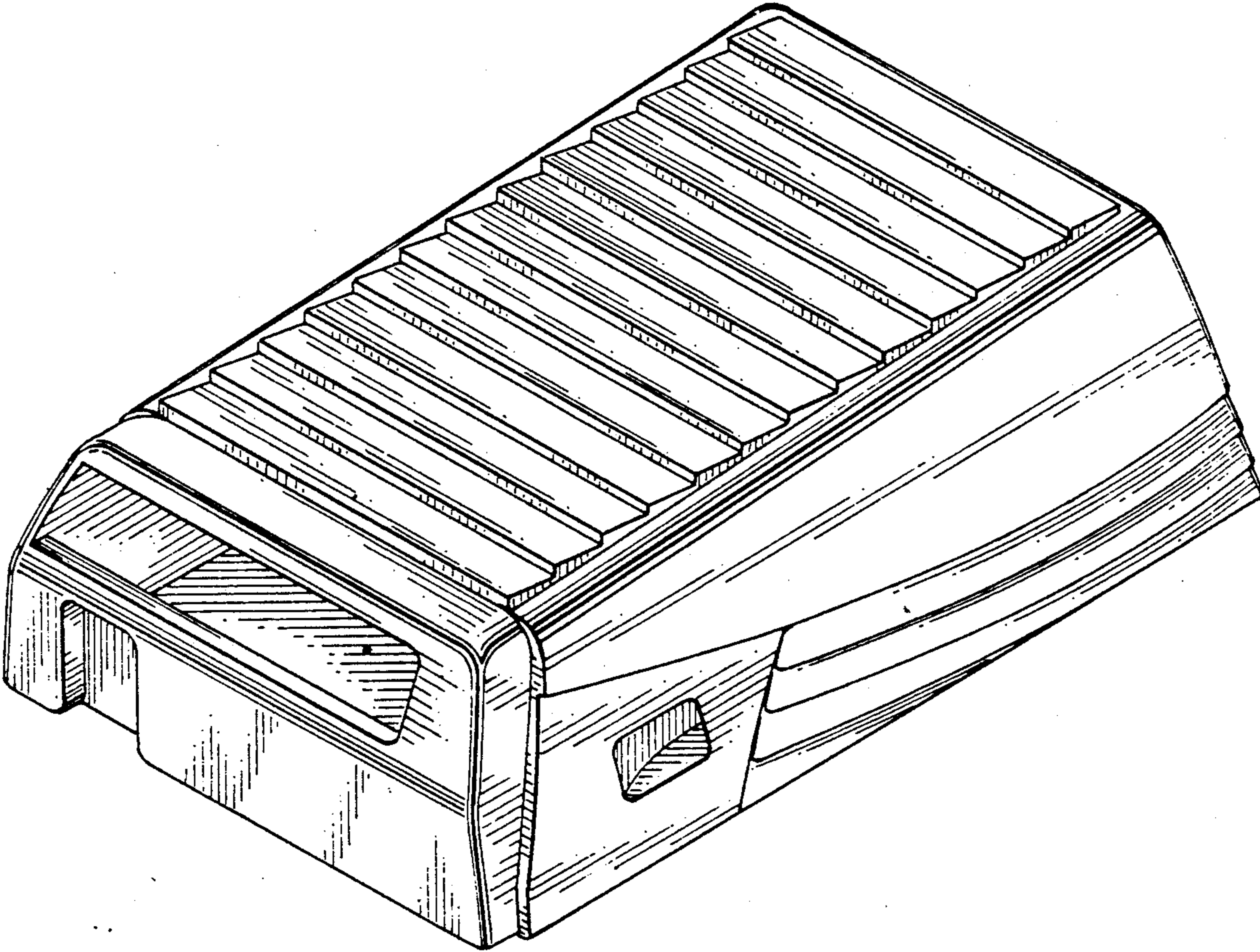


FIG. 7