

[54] CARPET CLEANING TOOL
[75] Inventor: James E. Calnin, Glen Waverley,
Australia
[73] Assignee: Shell Chemical (Australia)
Proprietary Limited, Melbourne,
Australia
[**] Term: 14 Years
[21] Appl. No.: 143,693
[22] Filed: Jan. 14, 1988

[30] Foreign Application Priority Data
Jul. 24, 1987 [AU] Australia 2598/87
[52] U.S. Cl. D32/35
[58] Field of Search D32/25, 31-34,
D32/38-46, 35; 15/256.52, 415 R, 415 A,
418-422, 257.05, 141.1, 141.2, 142; 401/266,
261, 28; D9/434, 436

[56] References Cited
U.S. PATENT DOCUMENTS
D. 211,812 7/1968 Brubaker et al. D32/25
D. 213,016 12/1968 Kleemeier et al. D32/25
D. 217,736 6/1970 Marsee D32/25
D. 251,539 4/1979 Kupperman et al. D32/40

D. 272,235 1/1984 Orlando D9/436
1,849,370 3/1932 Fuhr 15/142
2,336,357 12/1943 Hixson 401/266
2,516,491 7/1950 Swastek 401/261
2,532,429 12/1950 Sparkman 401/266
3,838,474 10/1974 Erickson 15/142
4,566,148 1/1986 Rolin 15/257.05

FOREIGN PATENT DOCUMENTS

25207 2/1952 Finland 401/28
1414658 9/1965 France 401/28
2187945 9/1987 United Kingdom 401/266

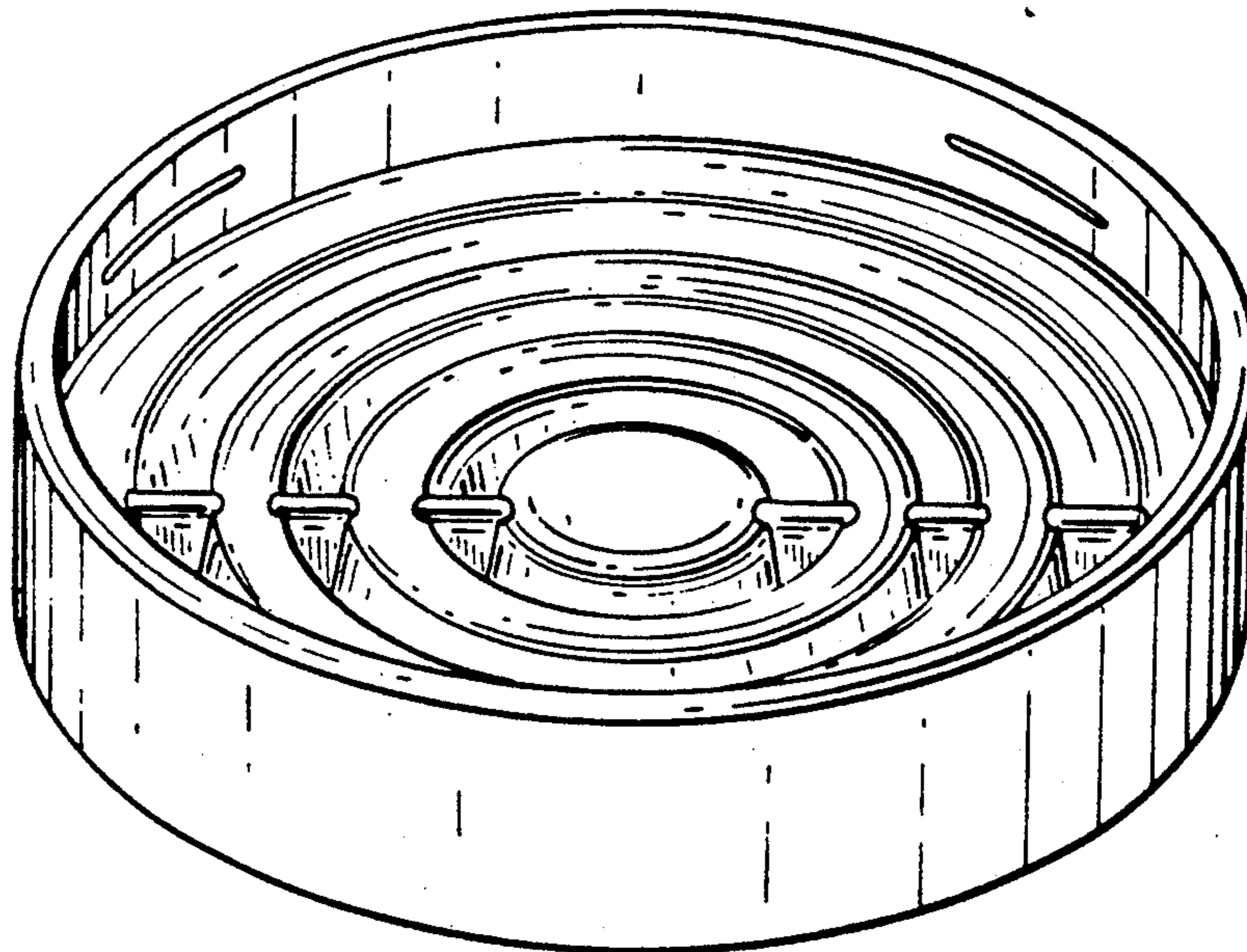
Primary Examiner—James R. Largen
Assistant Examiner—Doris V. Coles
Attorney, Agent, or Firm—Darby & Darby

[57] CLAIM

The ornamental design for a carpet cleaning tool, as shown and described.

DESCRIPTION

FIG. 1 is a bottom perspective view of a carpet cleaning tool, showing my new design;
FIG. 2 is a top perspective view thereof;
FIG. 3 is a sectional view, taken along lines 3—3 of FIG. 4;
FIG. 4 is a bottom plan view; and
FIG. 5 is a top plan view.



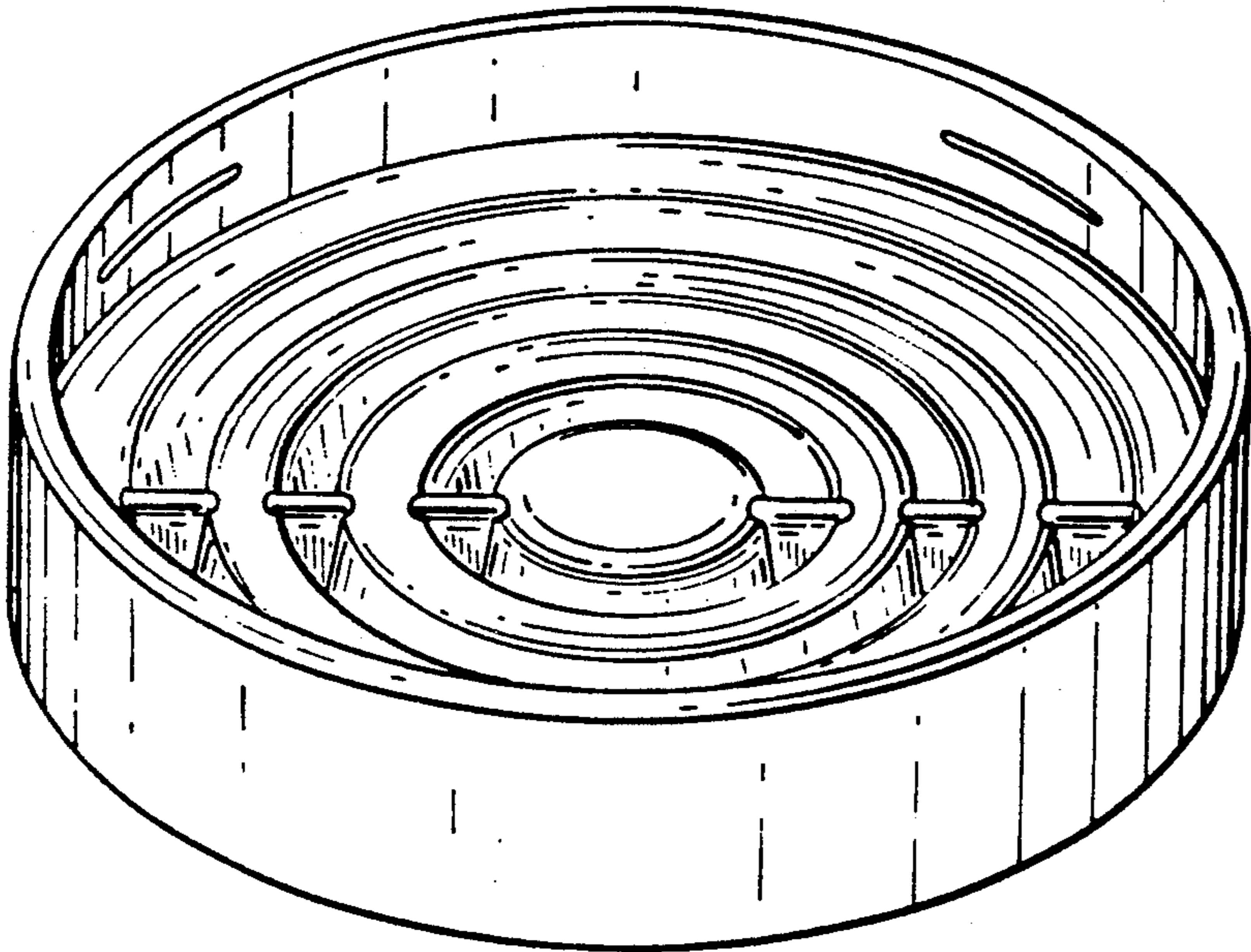


FIG. 1

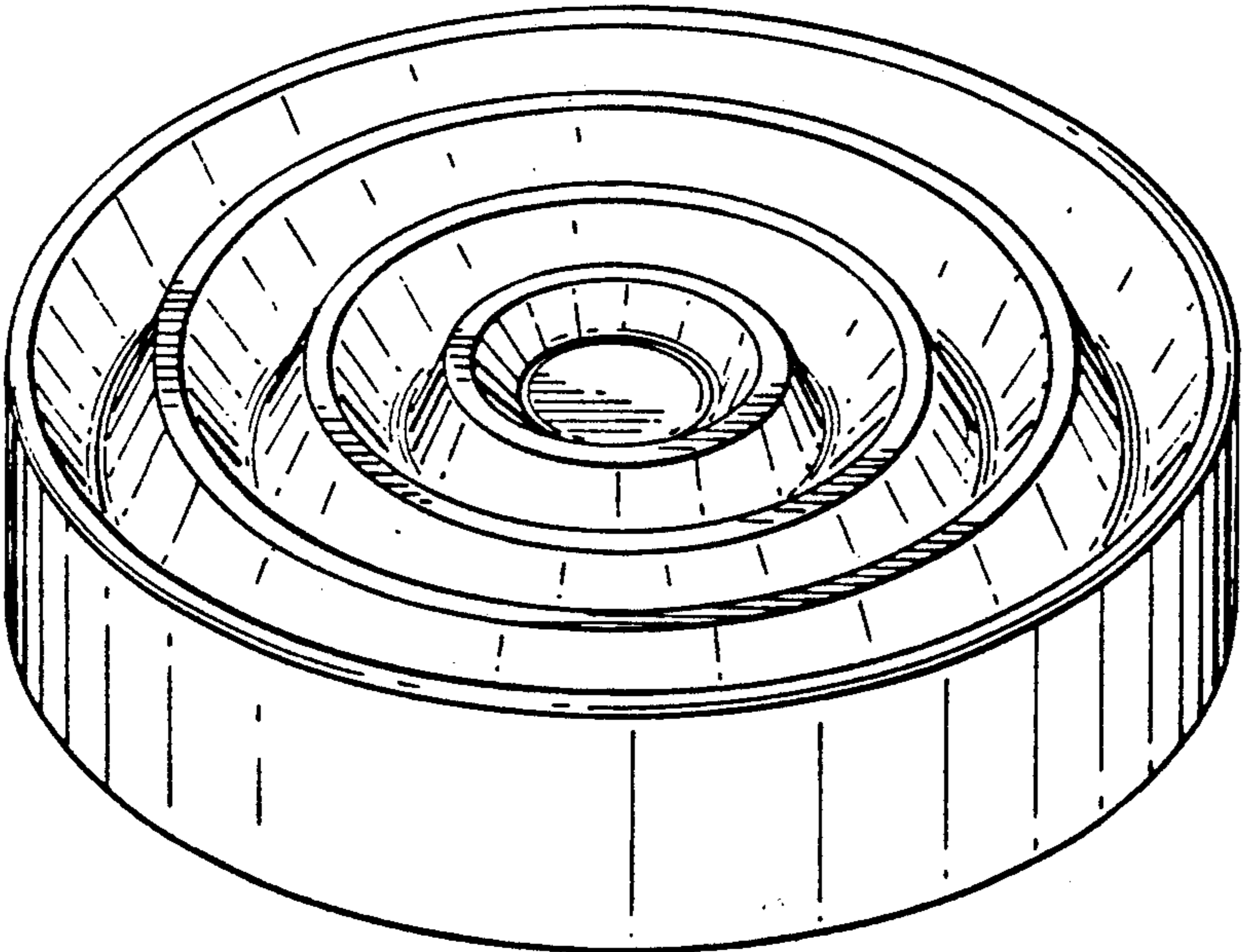


FIG. 2

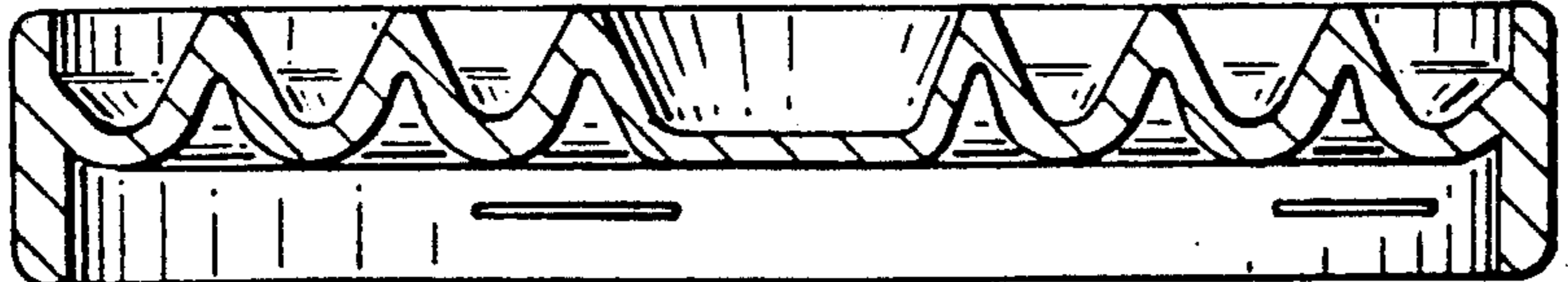


FIG. 3

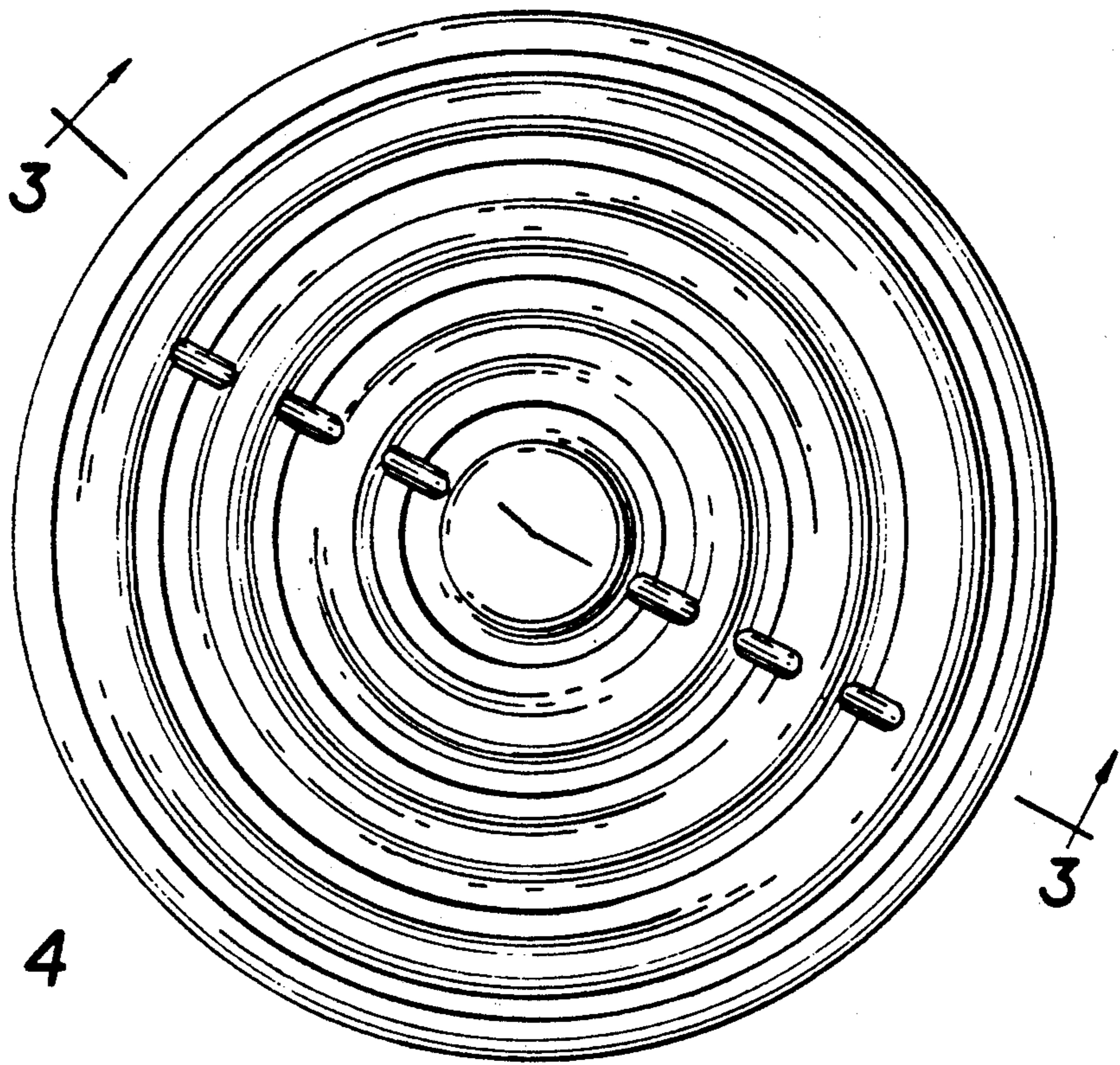


FIG. 4

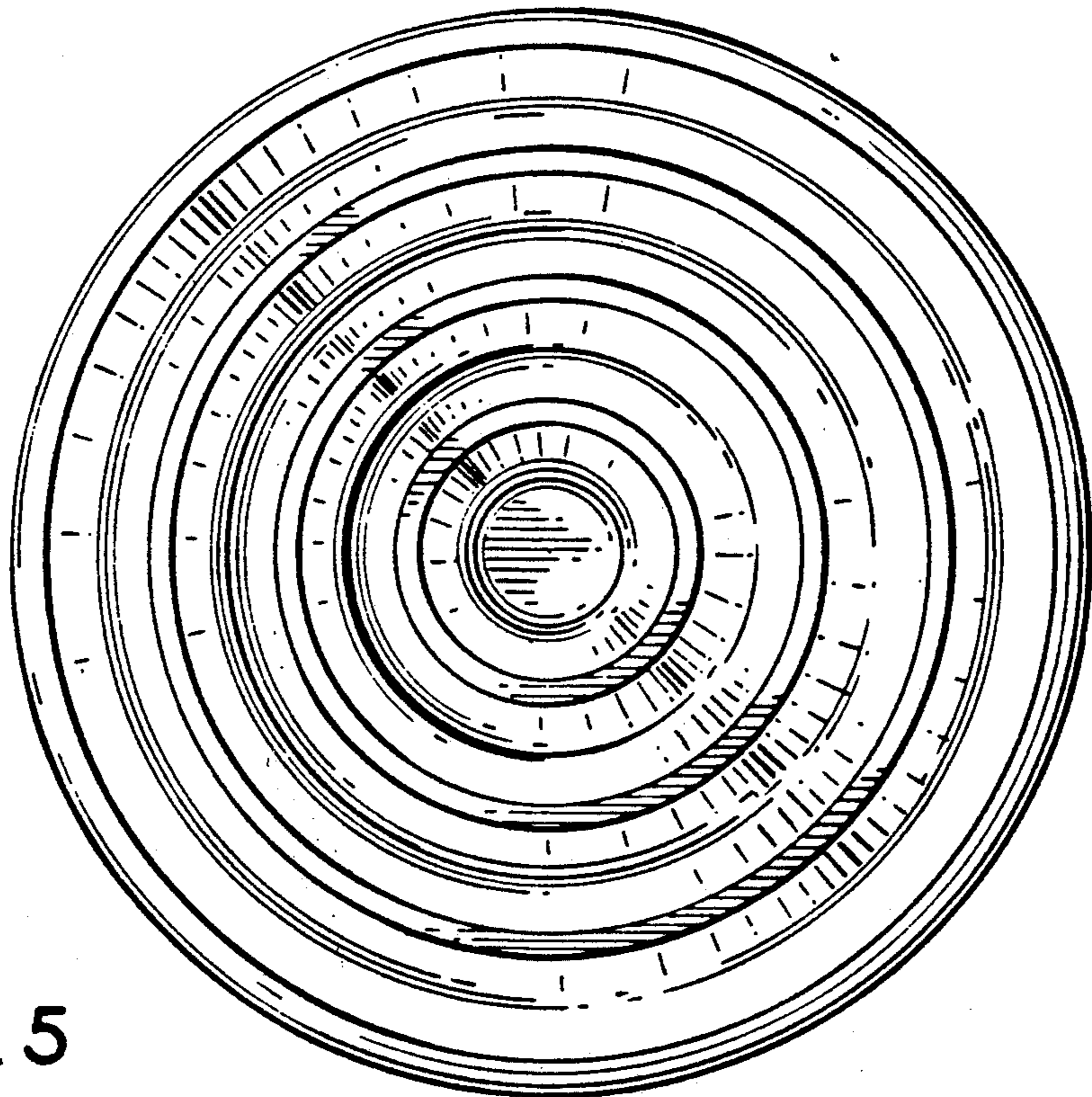


FIG. 5

UNITED STATES PATENT AND TRADEMARK OFFICE
CERTIFICATE OF CORRECTION

PATENT NO. : Des. 318,545
DATED : July 23, 1991
INVENTOR(S) : James E. Calnin

It is certified that error appears in the above-identified patent and that said Letters Patent is hereby corrected as shown below:

On the title page item [73] should read --Nicholas Kiwi Pty. Ltd.

Signed and Sealed this
Twenty-second Day of December, 1992

Attest:

DOUGLAS B. COMER

Attesting Officer

Acting Commissioner of Patents and Trademarks