

[54] VACUUM CLEANER

[76] Inventor: Harold J. Schoettler, 3321 Bounty Cir., Huntington Beach, Calif. 92649

[**] Term: 14 Years

[21] Appl. No.: 440,295

[22] Filed: Nov. 22, 1989

[52] U.S. Cl. D32/24

[58] Field of Search D32/21, 23-24, D32/31-34, 15-16; 15/320-321, 327 R, 327 F, 327 B, 327 C, 327 D, 327 E, 353

[56] References Cited

U.S. PATENT DOCUMENTS

- D. 150,220 7/1948 Geistert D32/24
- D. 167,003 6/1952 Russell D32/24

- D. 175,857 10/1955 Ryden D32/24
- D. 208,529 9/1967 Schoettler D32/24
- D. 279,321 6/1985 Schoettler D32/24

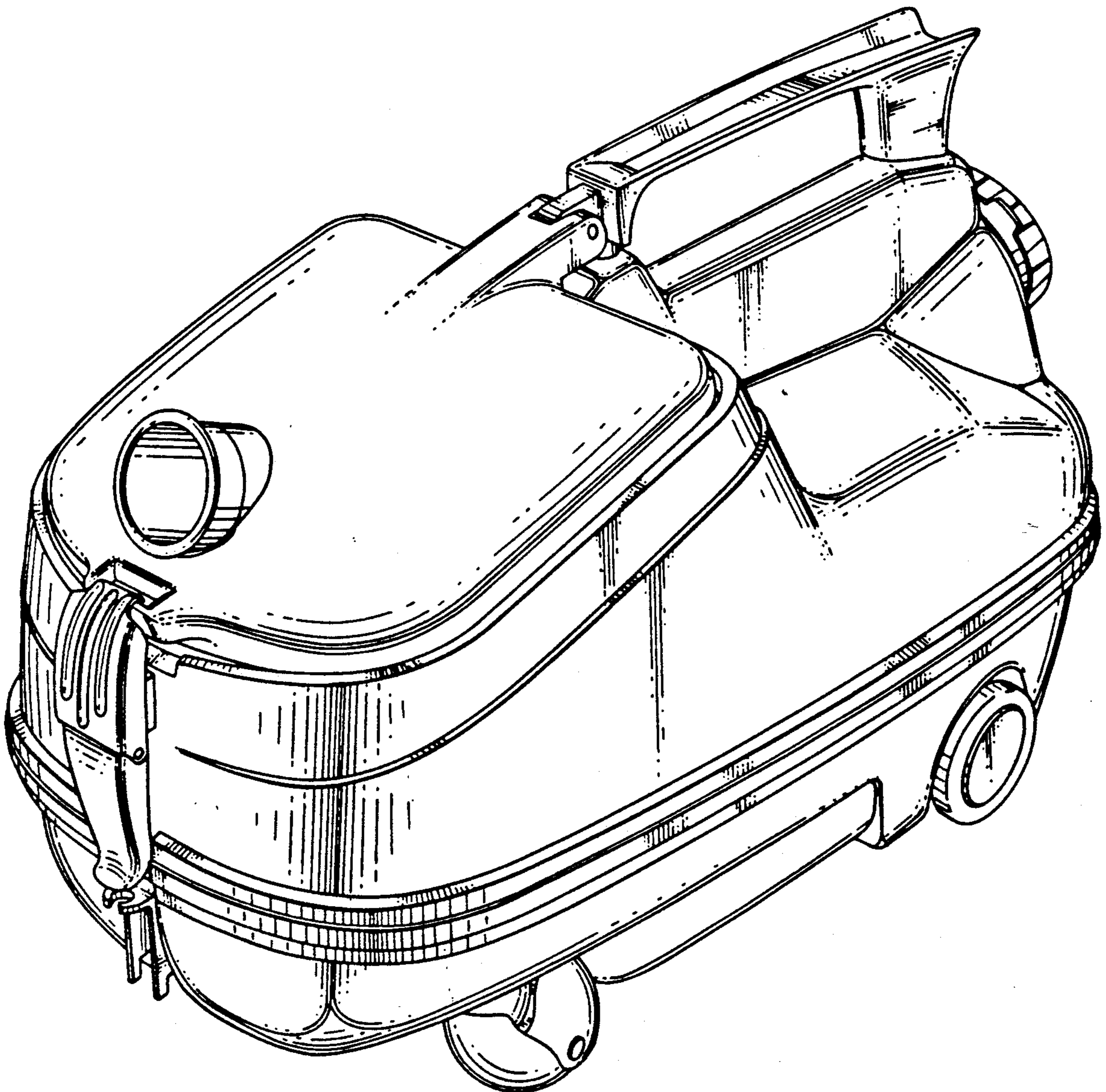
Primary Examiner—A. Hugo Word
Assistant Examiner—Doris V. Coles
Attorney, Agent, or Firm—Christie, Parker & Hale

[57] CLAIM

The ornamental design for a vacuum cleaner, as shown and described.

DESCRIPTION

FIG. 1 is a top, front and side perspective view of a vacuum cleaner showing my new design; FIG. 2 is a top plan view thereof; FIG. 3 is a side elevational view thereof; FIG. 4 is a front elevational view thereof; and FIG. 5 is a rear elevational view thereof.



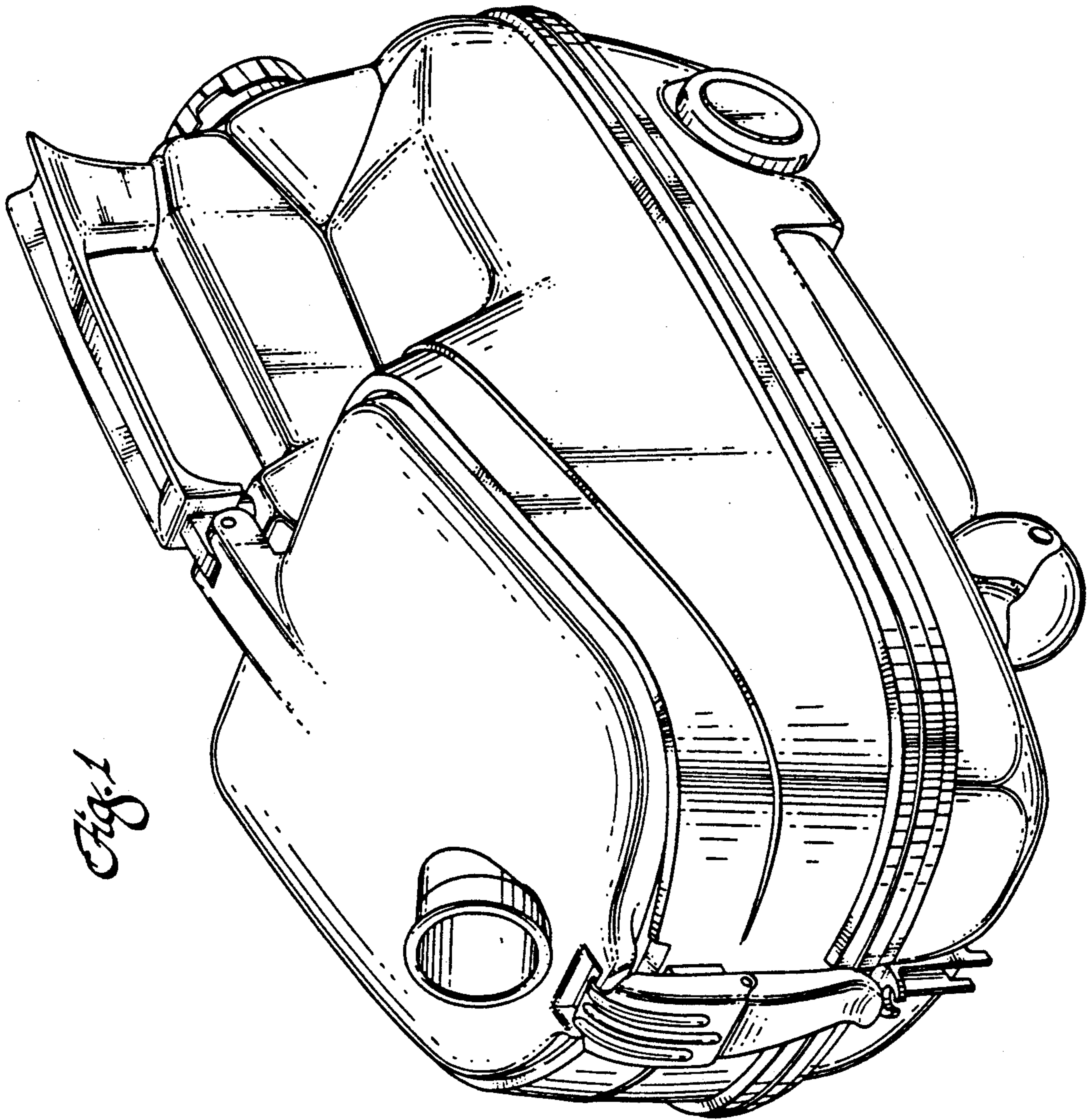


Fig. 2

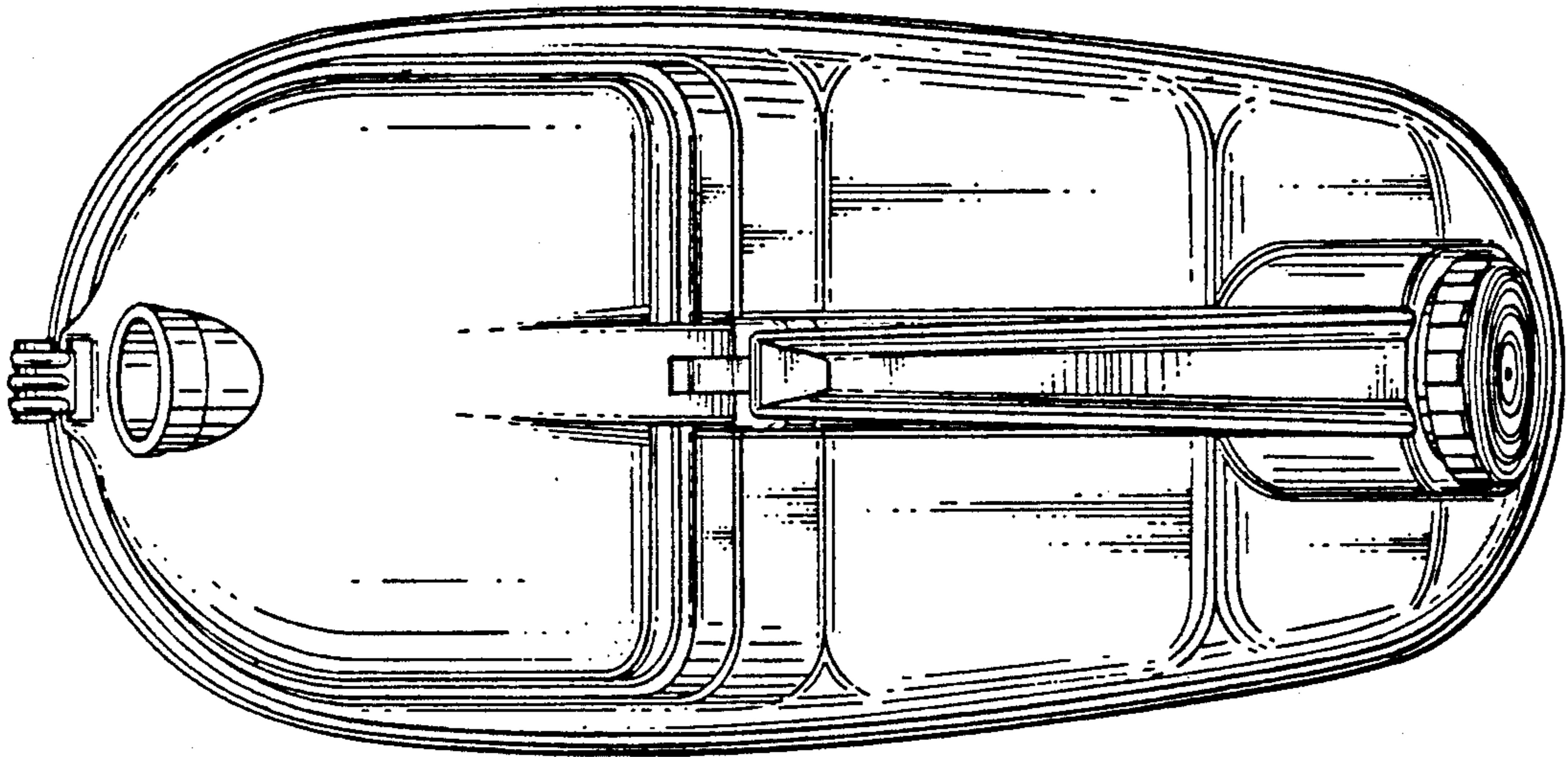


Fig. 3

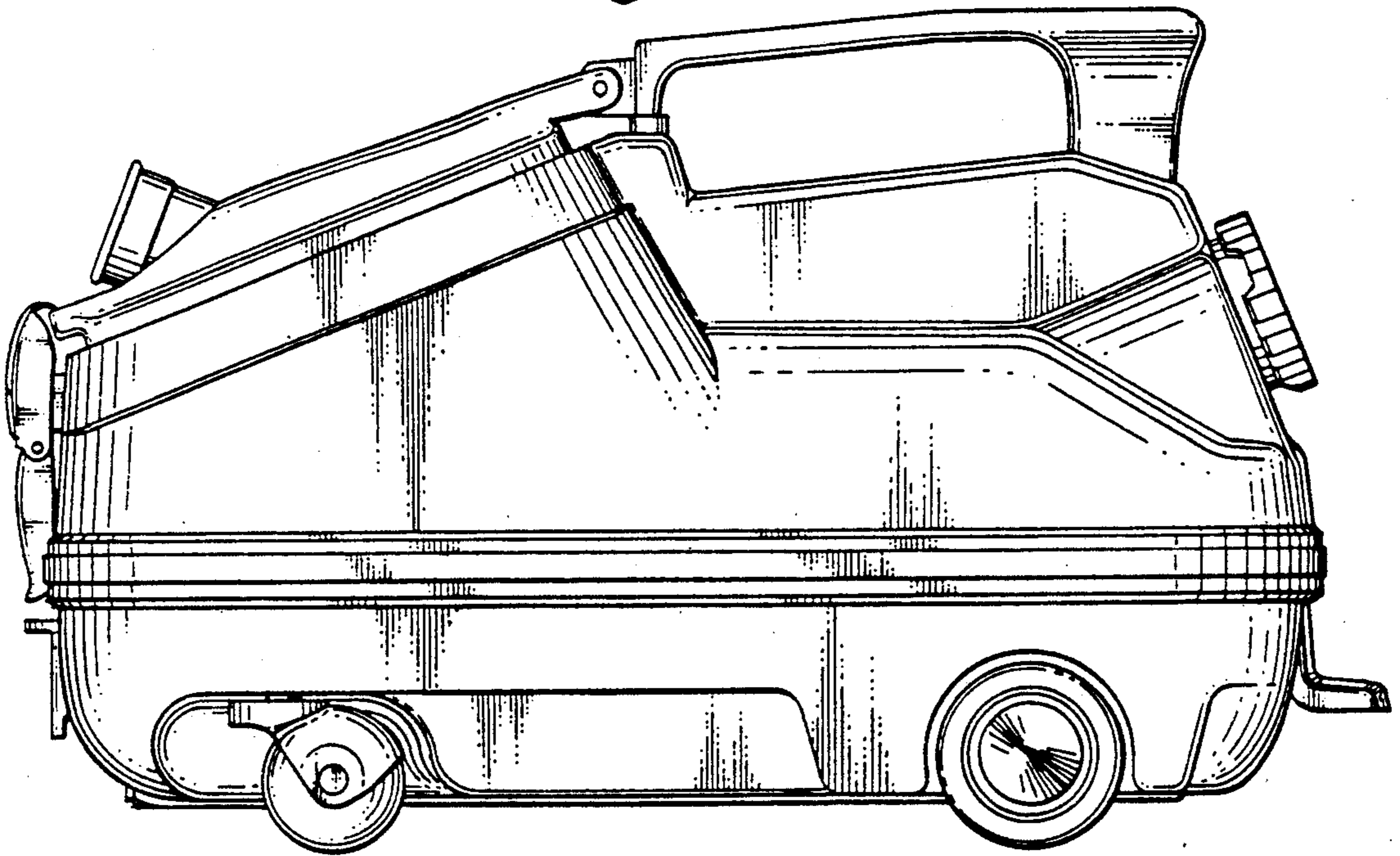


Fig. 4

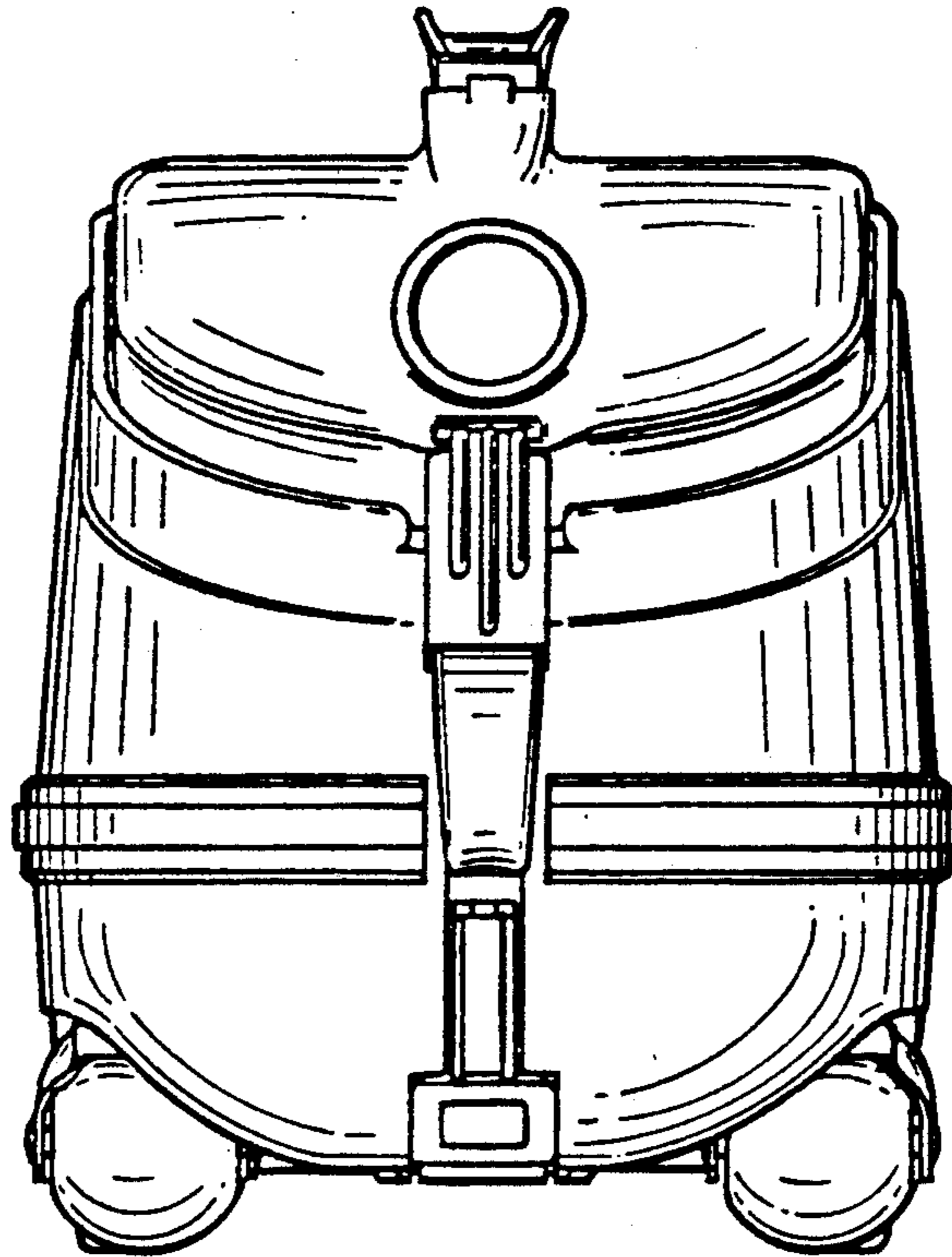


Fig. 5

