

[54] CARPET CLEANER

[76] Inventor: William K. Shero, San Juan Capistrano, Calif.

[\*\*] Term: 14 Years

[21] Appl. No.: 388,897

[22] Filed: Aug. 2, 1989

[52] U.S. Cl. .... D32/23

[58] Field of Search ..... D32/21, 23-24, D32/31-34, 15-16; 15/320-321, 327 R, 327 F, 327 B, 327 C, 327 D, 327 E, 353, 340.1, 340.2, 340.3, 78, 79 A

[56] References Cited

U.S. PATENT DOCUMENTS

- D. 193,608 9/1962 Johanson ..... D32/16
- D. 239,155 3/1976 Kent et al. .... D32/16
- D. 253,472 11/1979 Cannon et al. .... D32/23

D. 274,851 7/1984 Schmitz ..... D32/15

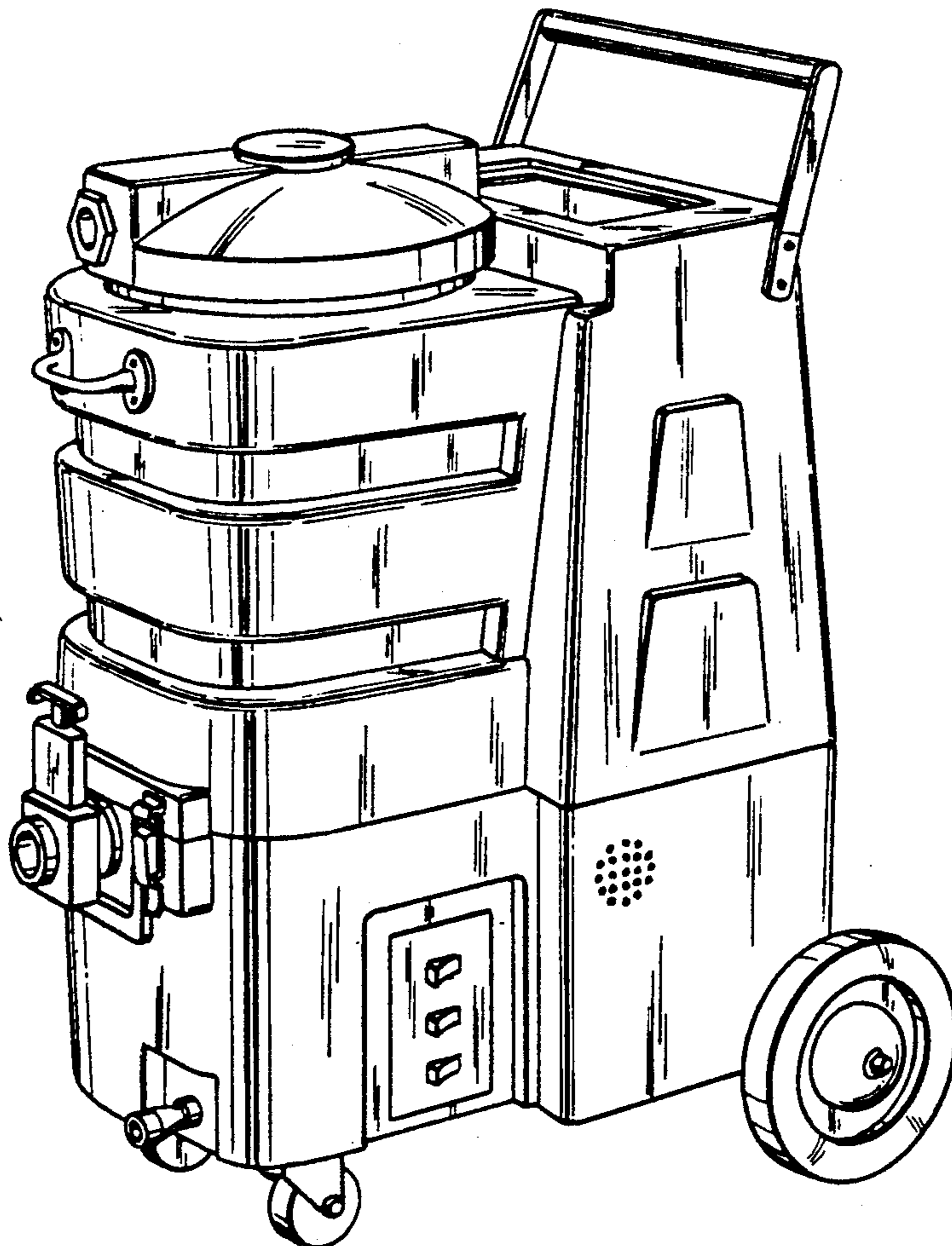
Primary Examiner—A. Hugo Word  
Assistant Examiner—Doris V. Coles  
Attorney, Agent, or Firm—Stetina and Brunda

[57] CLAIM

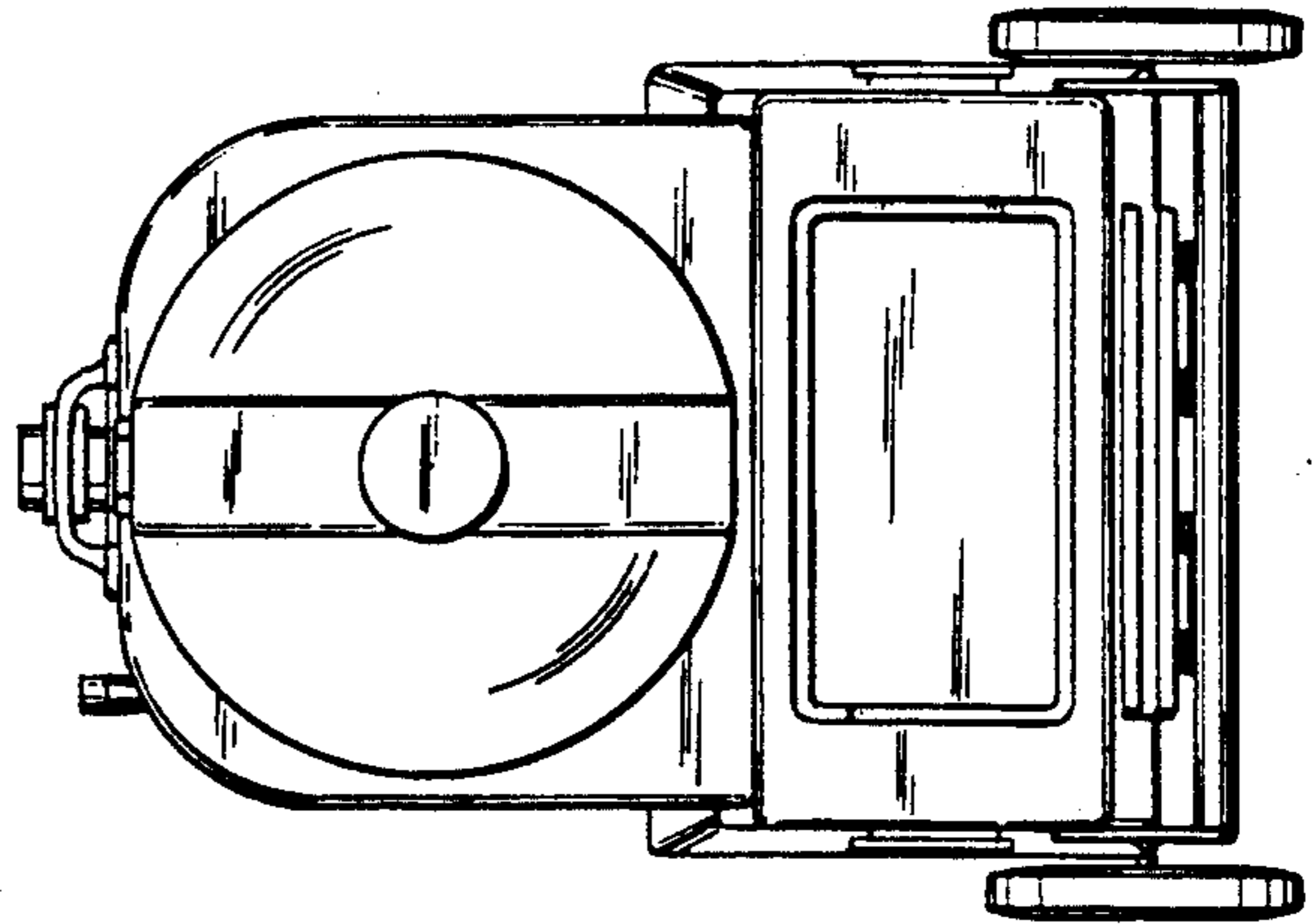
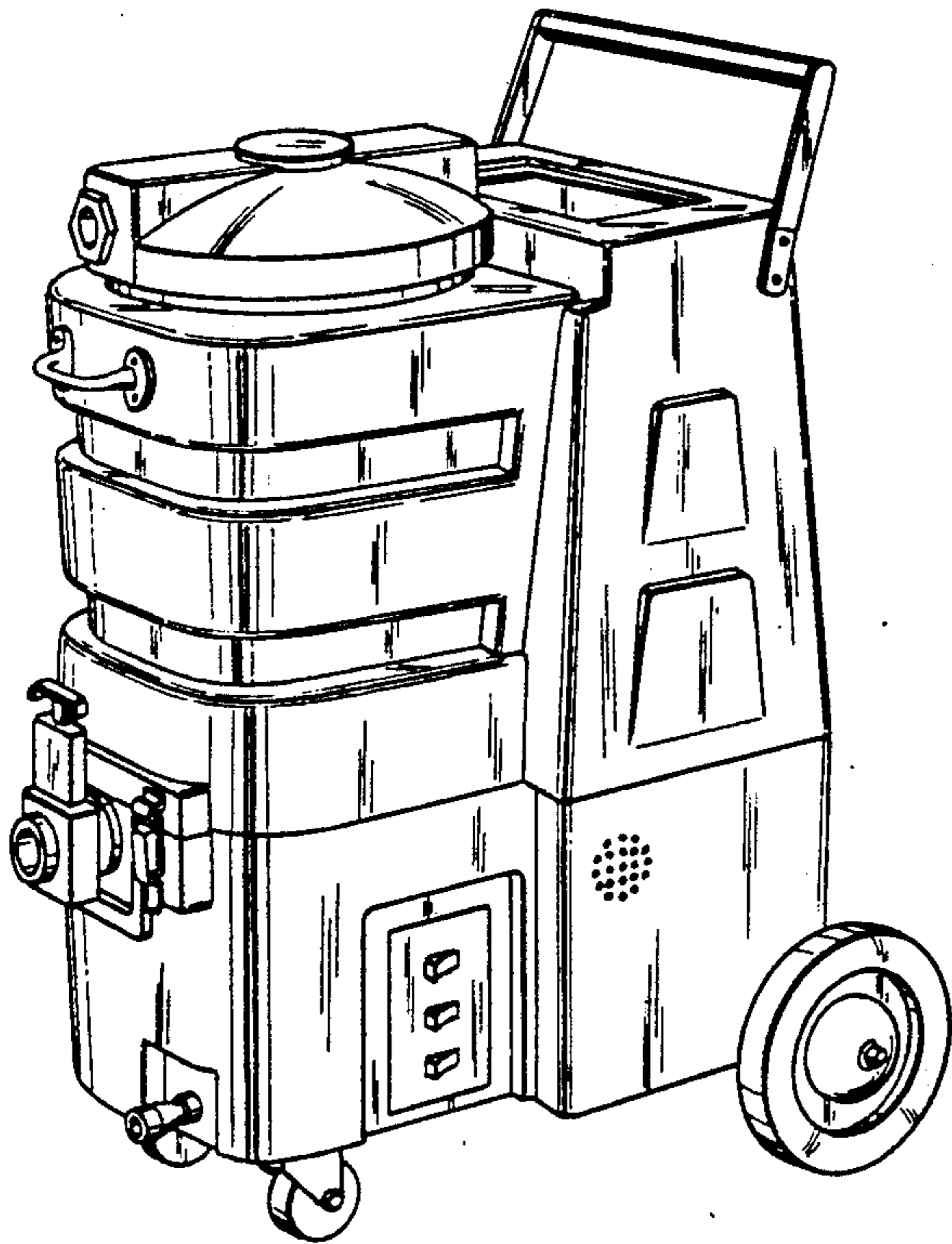
The ornamental design for a carpet cleaner, as shown and described.

DESCRIPTION

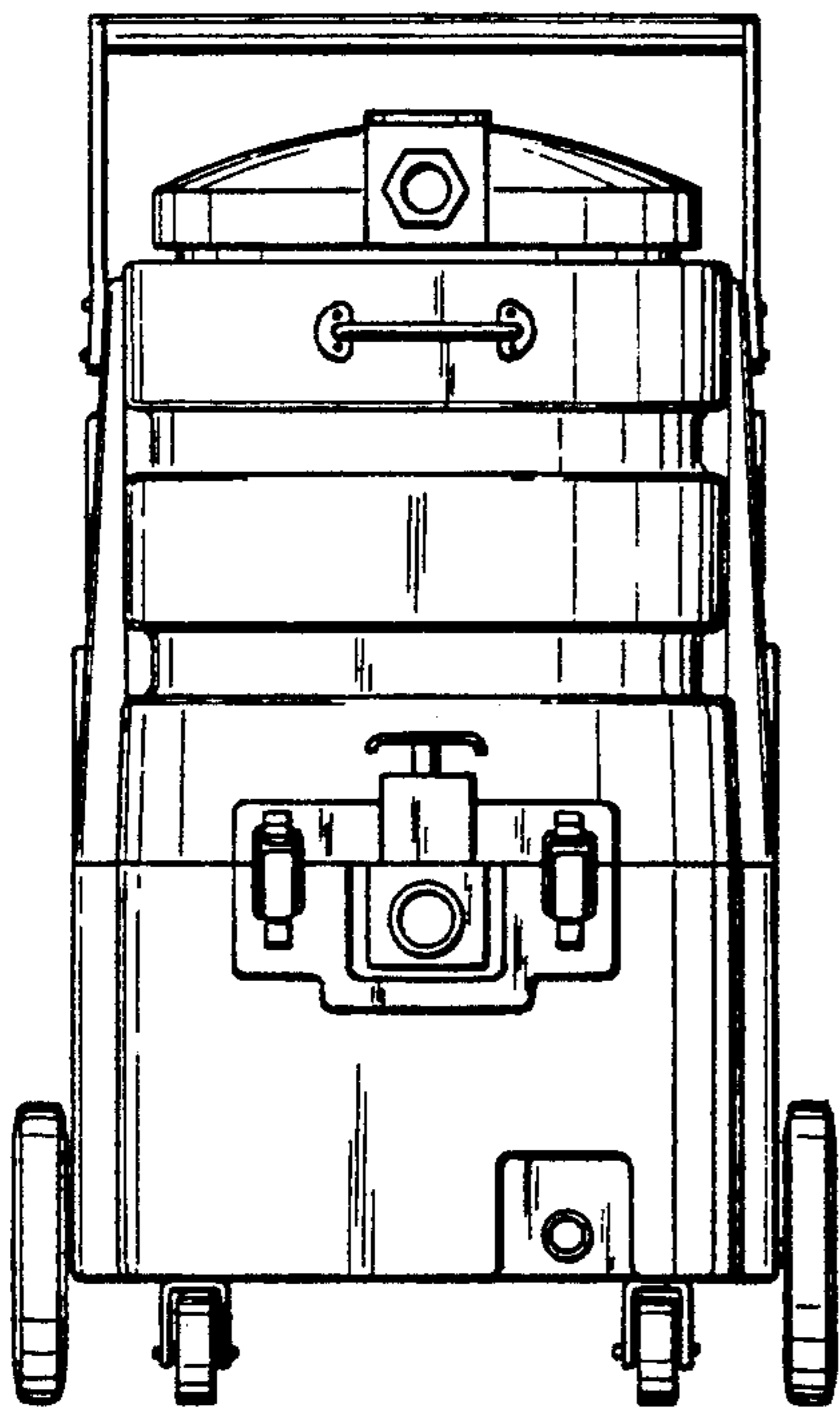
FIG. 1 is a front, right side perspective view of a carpet cleaner, showing my new design;  
 FIG. 2 is a rear, left side perspective view thereof;  
 FIG. 3 is a top plan view thereof;  
 FIG. 4 is a front elevational view thereof;  
 FIG. 5 is a front, right side perspective view of a second embodiment;  
 FIG. 6 is a rear, left side perspective view thereof;  
 FIG. 7 is a top plan view thereof; and  
 FIG. 8 is a front elevational view thereof.



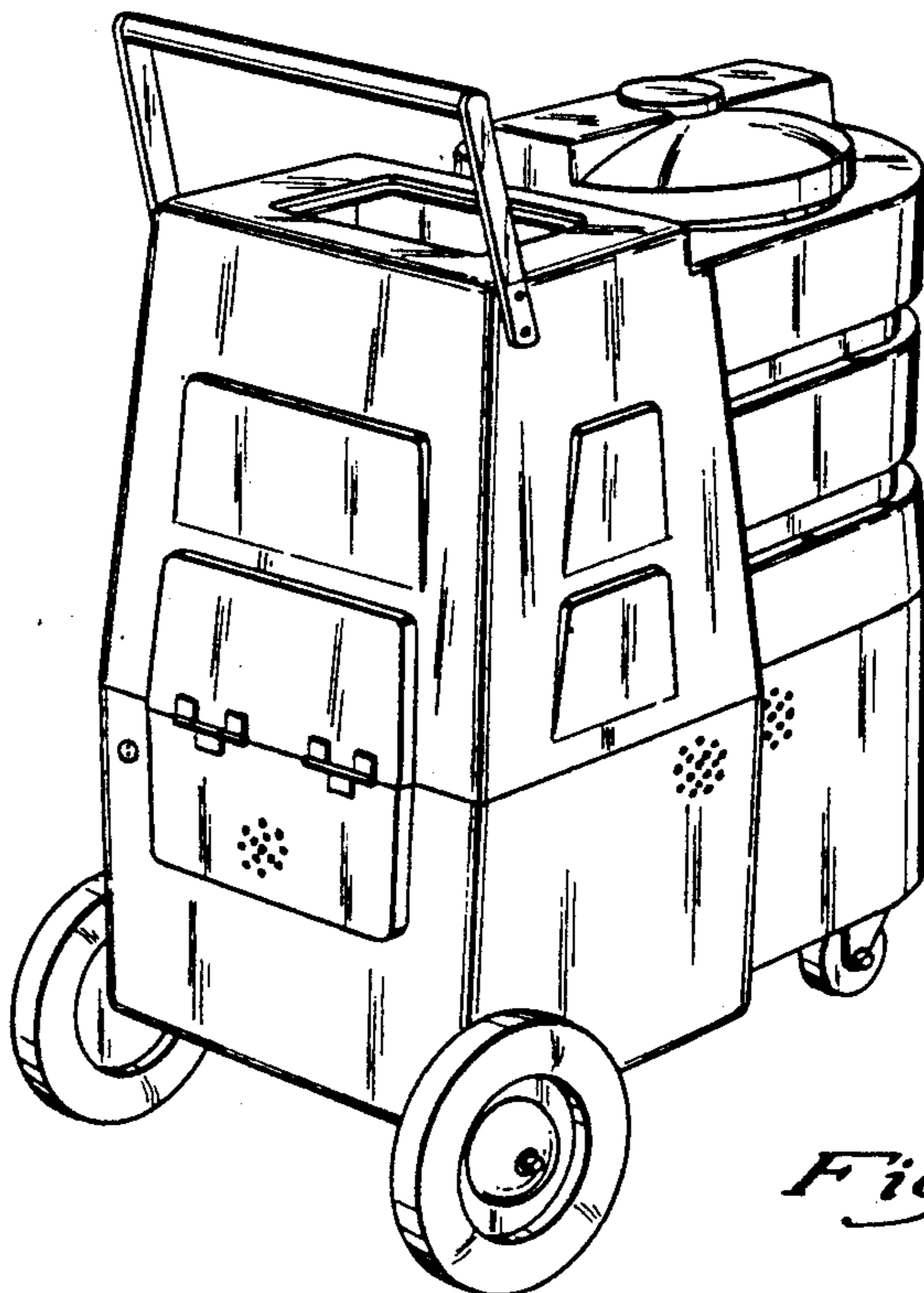
*Fig. 1*



*Fig. 3*

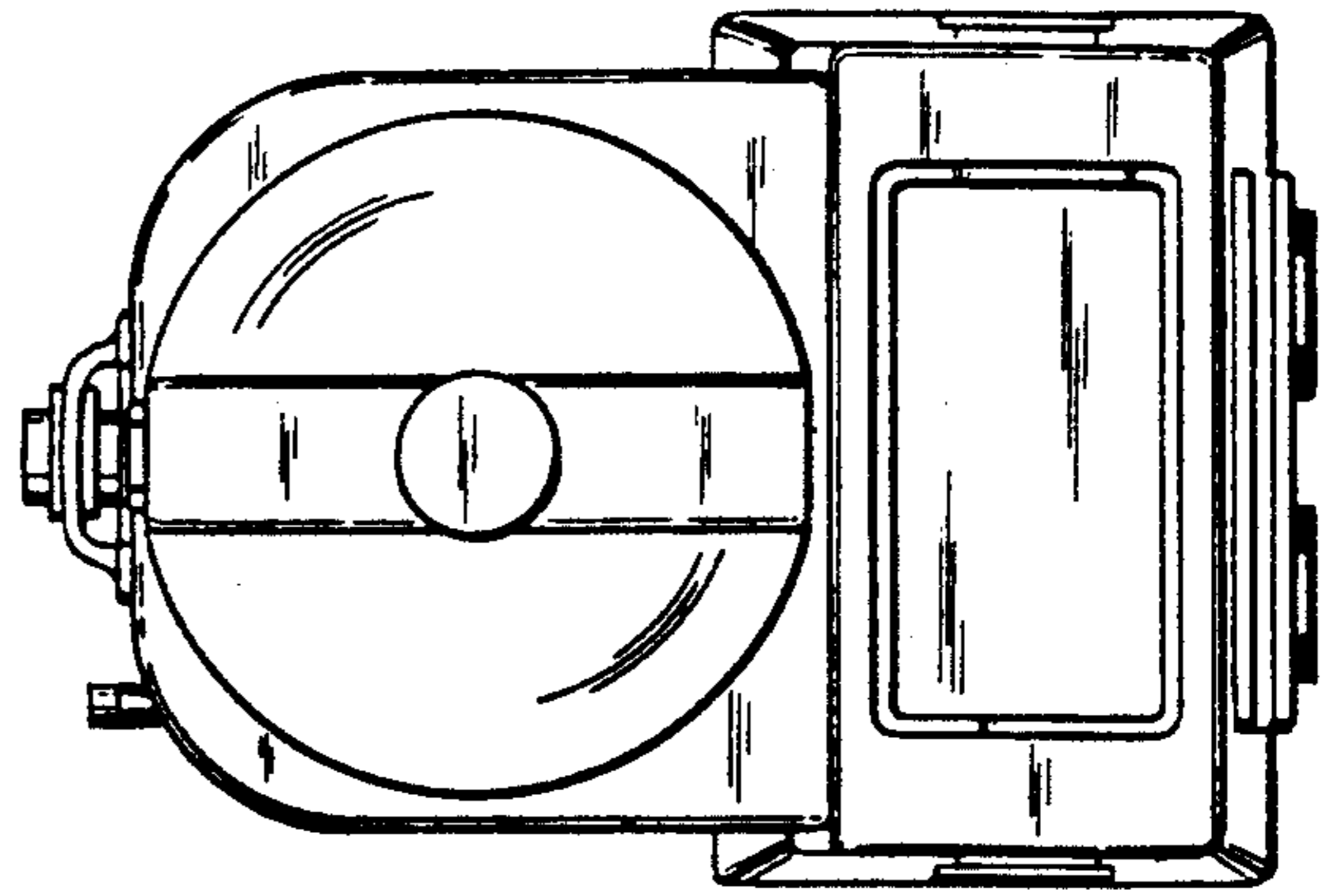
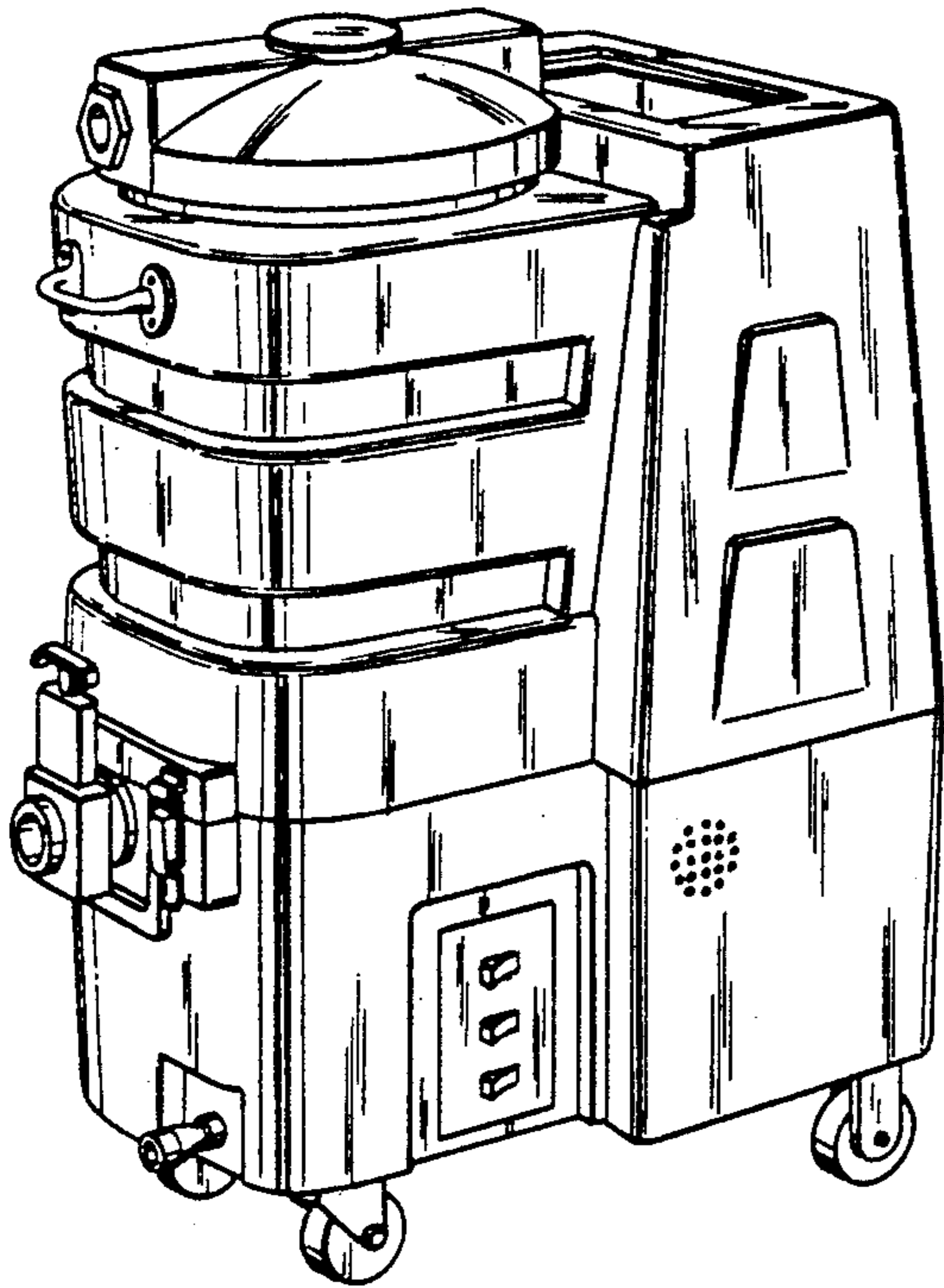


*Fig. 4*



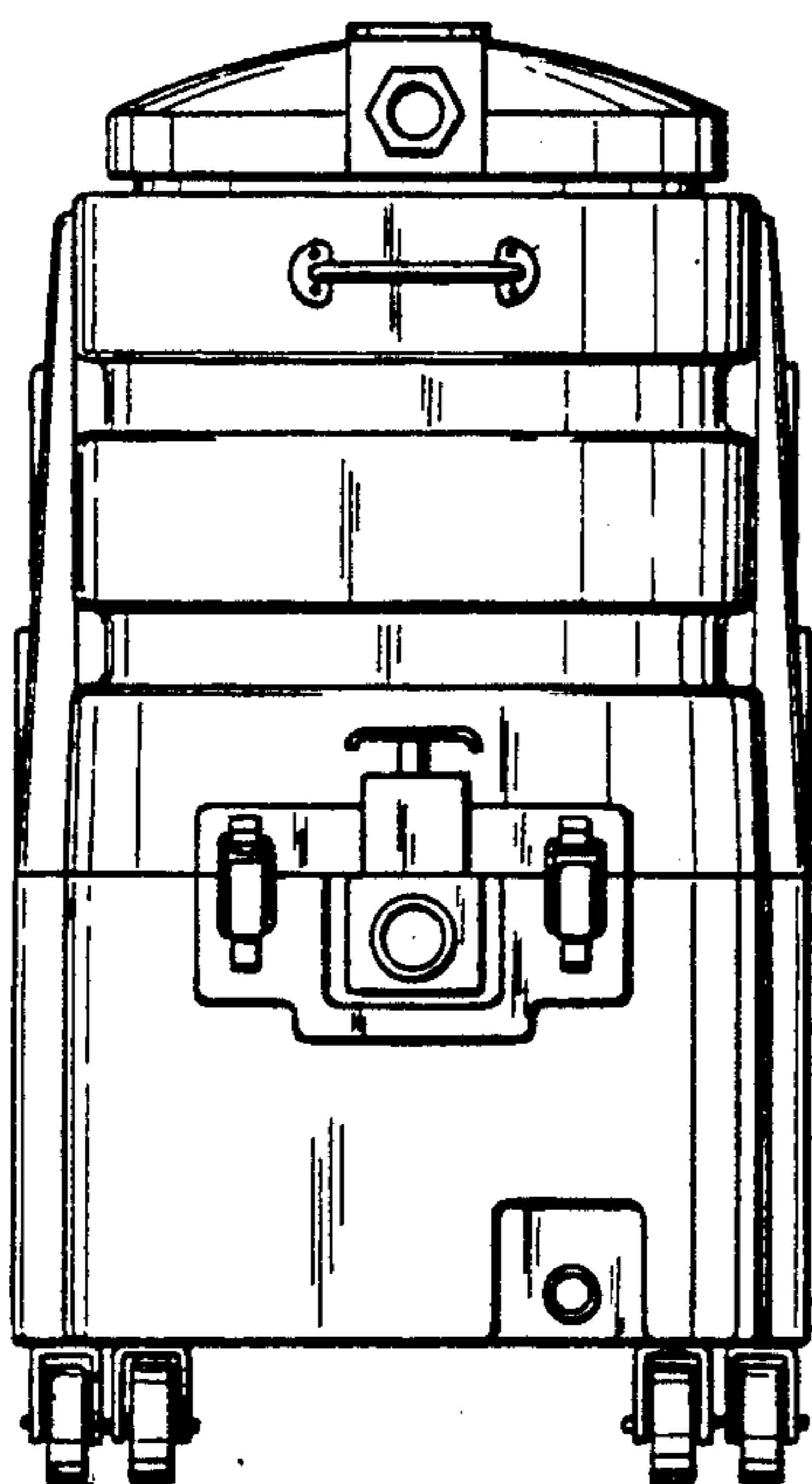
*Fig. 2*

*Fig. 5*



*Fig. 7*

*Fig. 6*



*Fig. 8*

