

[54] BAKING OVEN LAMP

[75] Inventor: Dieter Henrici, Arnsberg, Fed. Rep. of Germany

[73] Assignee: Brokelmann, Jaeger & Busse GmbH & Co., Arnsberg, Fed. Rep. of Germany

[**] Term: 14 Years

[21] Appl. No.: 272,652

[22] Filed: Nov. 16, 1988

[52] U.S. Cl. D26/24; D26/2

[58] Field of Search D26/26, 24, 74, 1, 2; 313/315, 318; 362/226, 311, 297, 373, 368, 92

[56] References Cited

U.S. PATENT DOCUMENTS

2,207,507 7/1940 Douglas D26/24 X
4,326,243 4/1982 Pistor et al. 362/92 X
4,559,585 12/1985 Almgren et al. 362/92

Primary Examiner—Susan J. Lucas
Attorney, Agent, or Firm—Herbert Dubno; Ronald Lianides

[57] CLAIM

The ornamental design for a baking oven lamp, as shown and described.

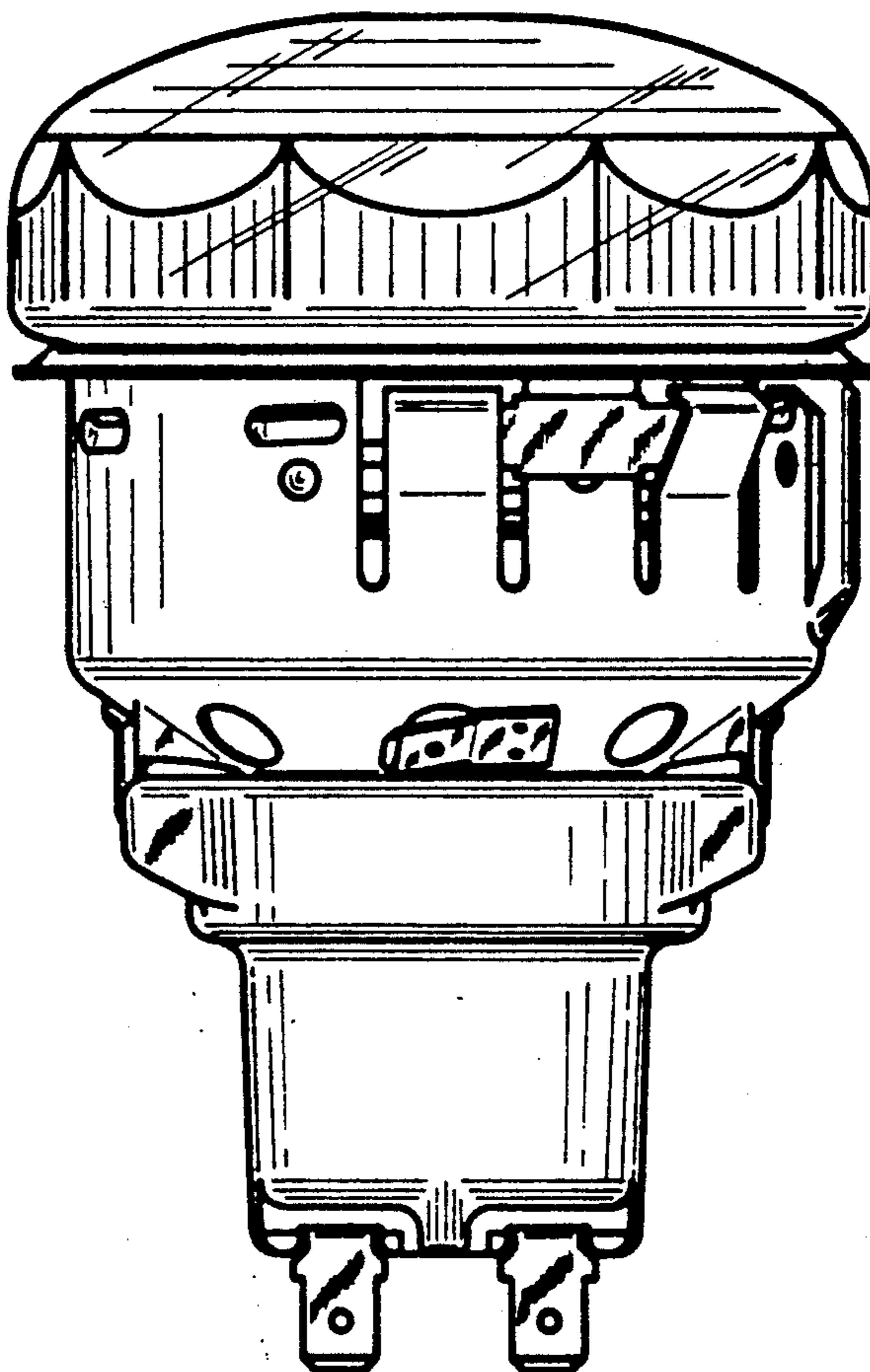
DESCRIPTION

FIG. 1 is a front elevational view of the lamp showing my new design, the rear view being a mirror image thereof;

FIG. 2 is an elevational view of one side of the lamp, the other side being a mirror image thereof;

FIG. 3 is a top plan view thereof; and

FIG. 4 is a bottom plan thereof.



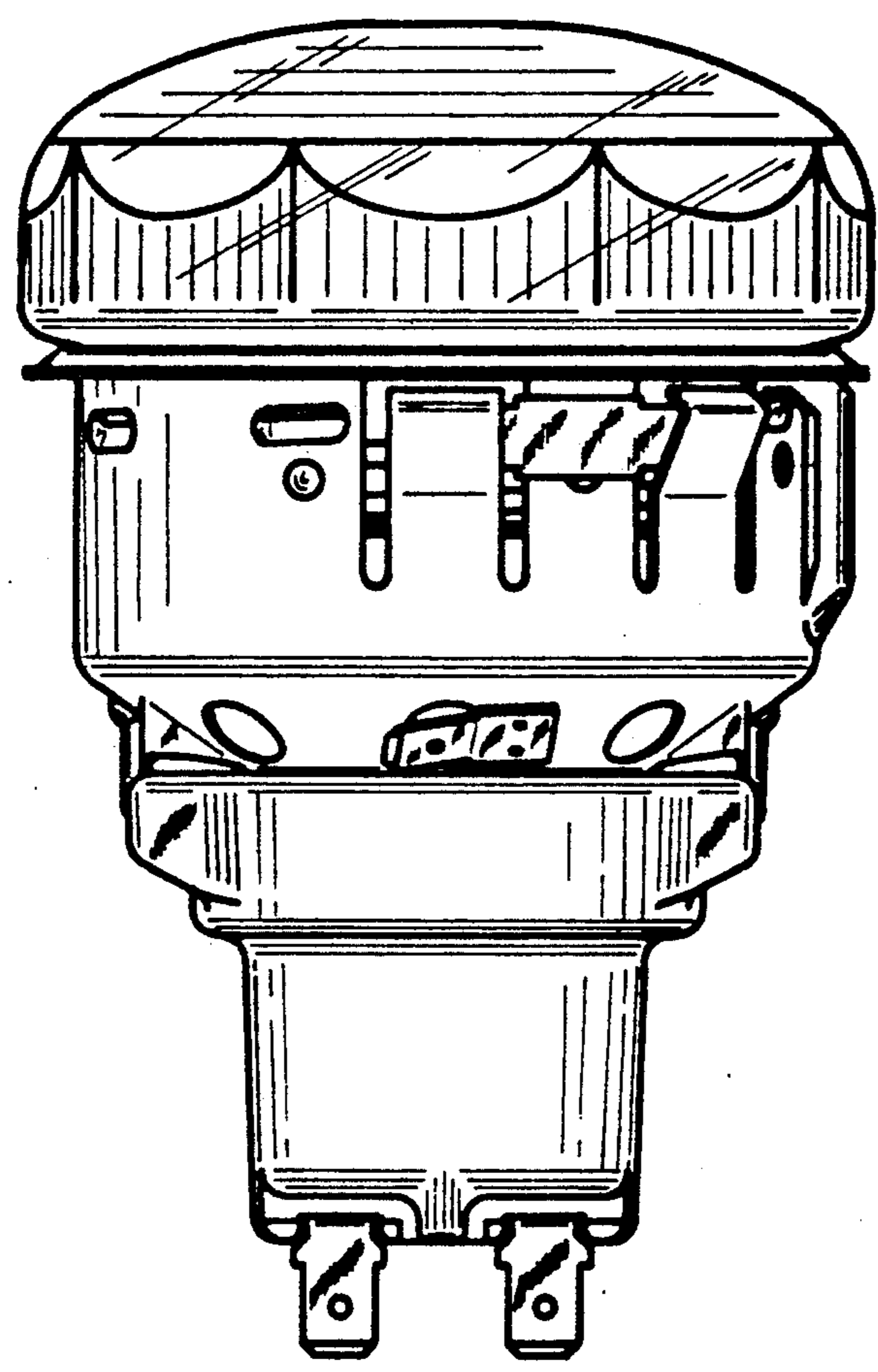


FIG. 1

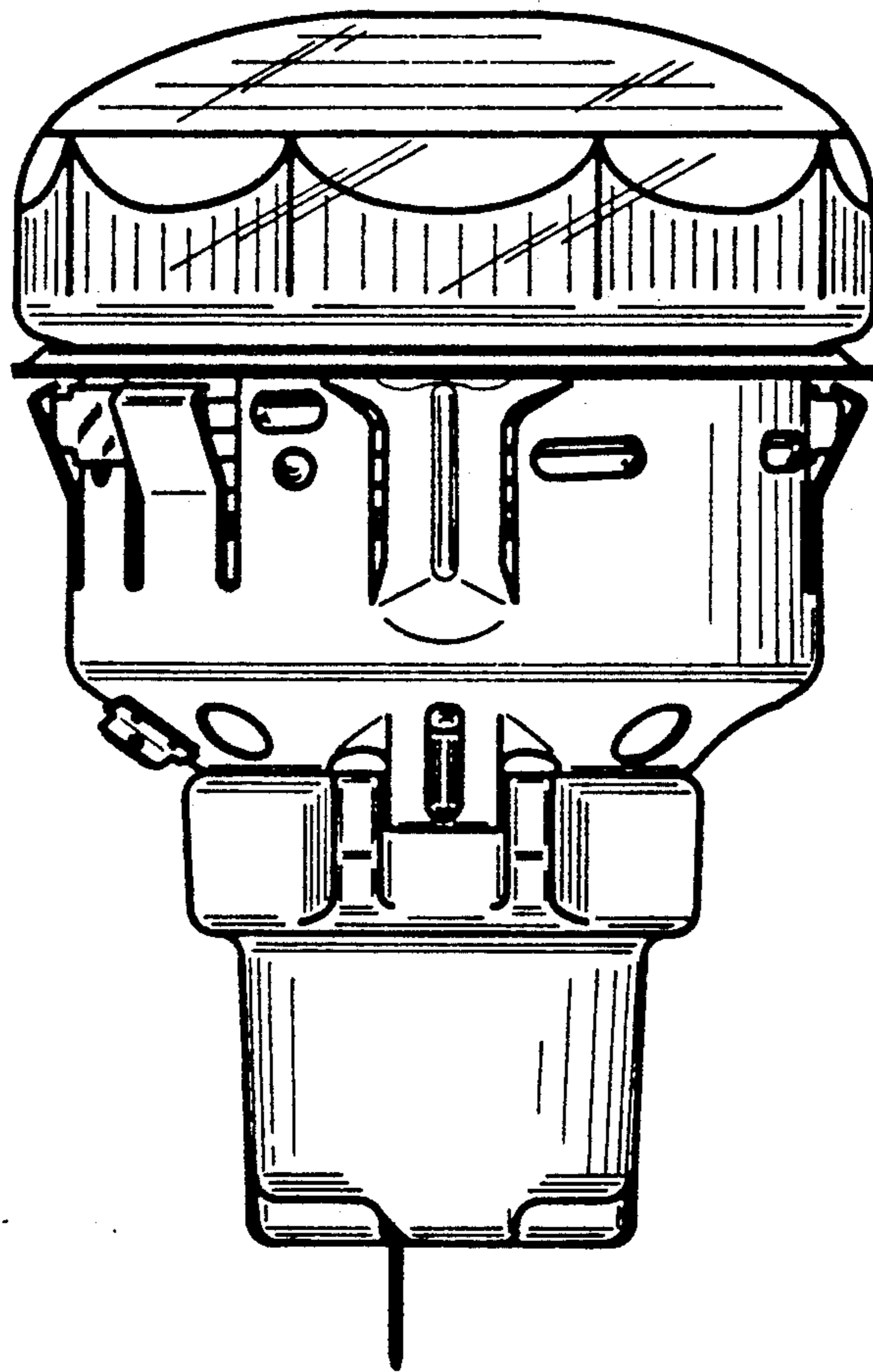


FIG. 2

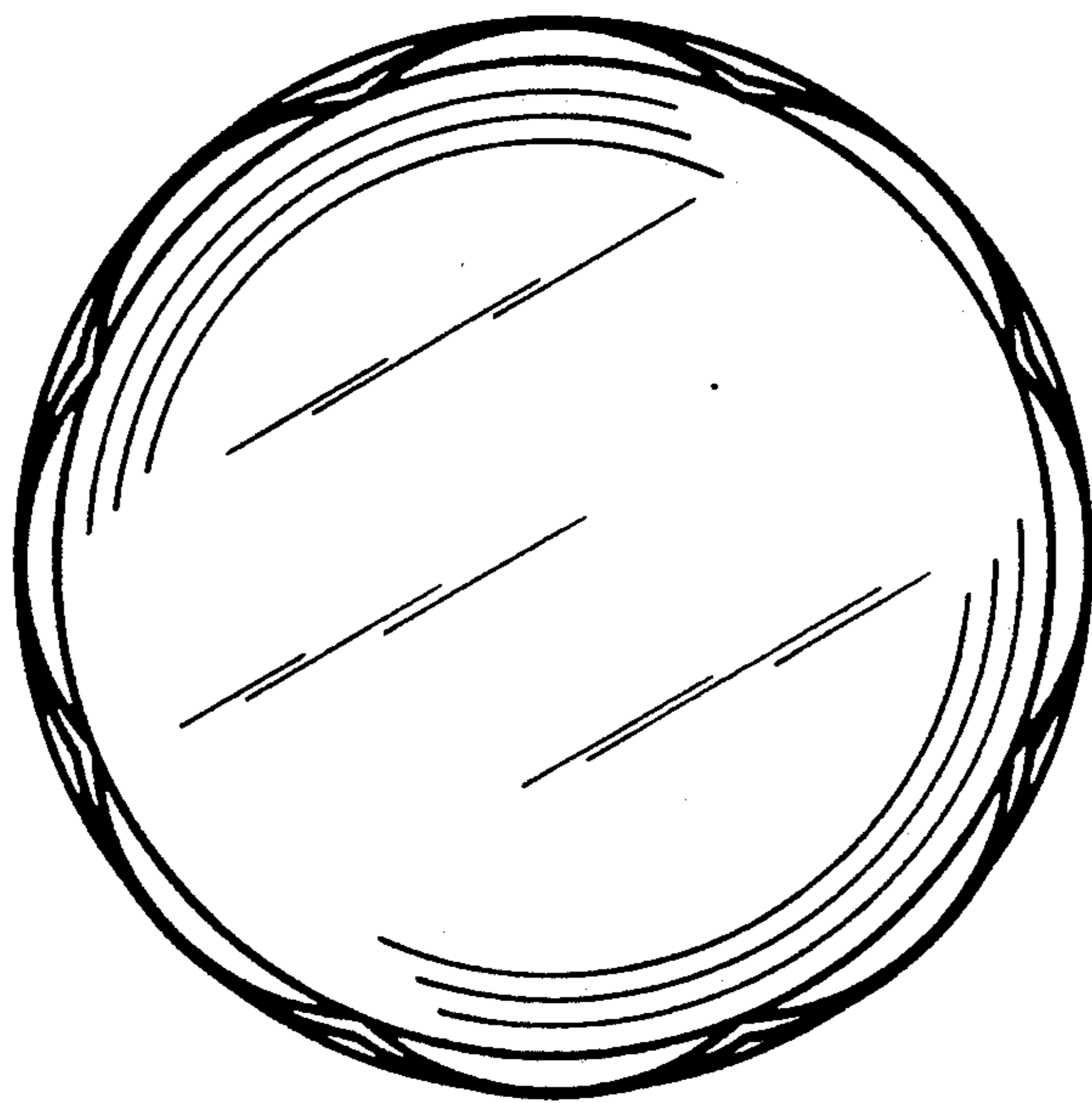


FIG. 3

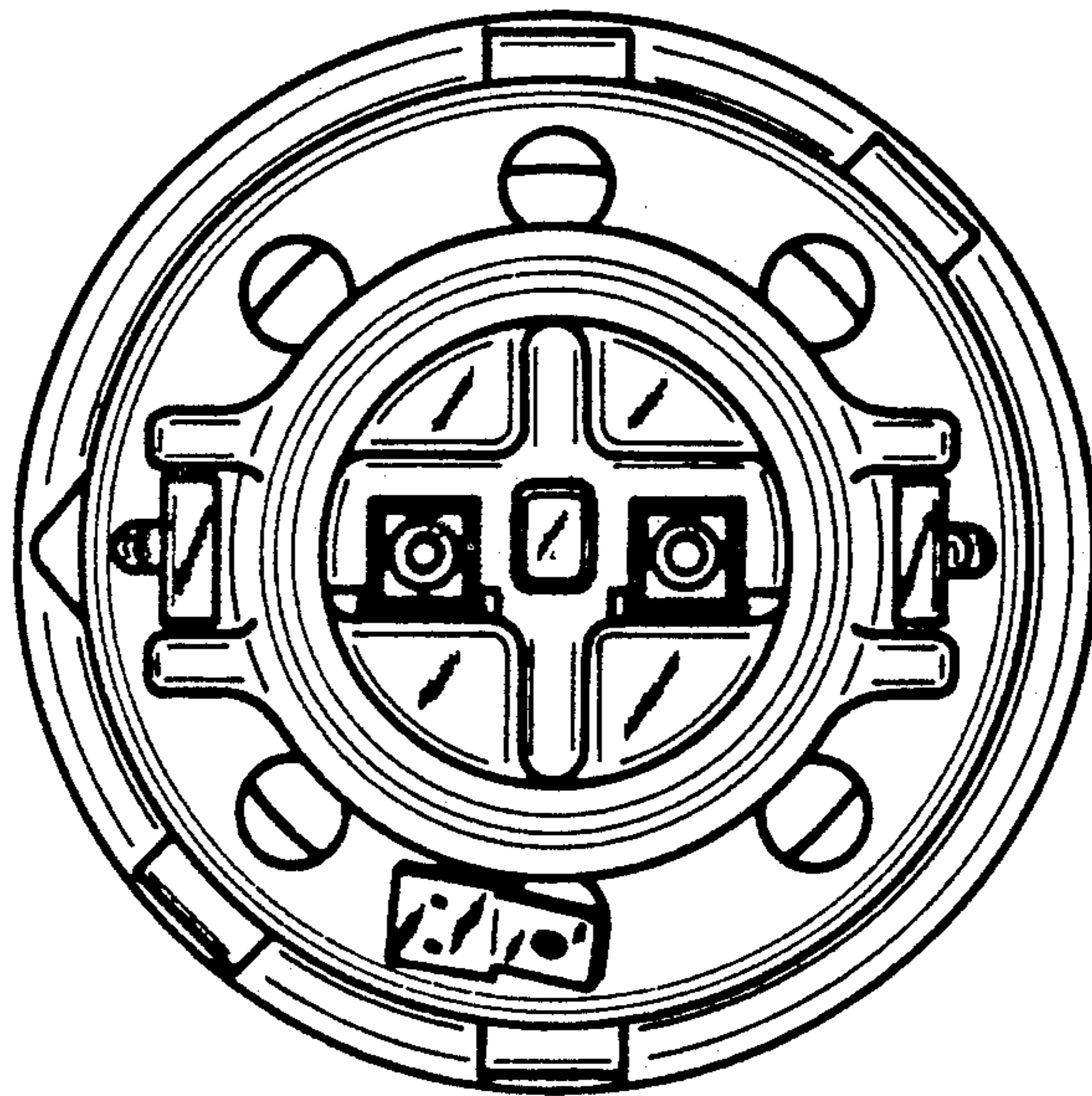


FIG. 4