

[54] DOUBLE BAFFLE TILE FOR FURNACE FOR OIL REFINERIES

[75] Inventors: Frank L. Groenewold, South Holland; Martin F. Brennan, Calumet City; Ronald L. Cutshall, Chicago Heights, all of Ill.

[73] Assignee: Amoco Corporation, Chicago, Ill.

[*] Notice: The portion of the term of this patent subsequent to Jul. 16, 2005 has been disclaimed.

[**] Term: 14 Years

[21] Appl. No.: 208,396

[22] Filed: Jun. 17, 1988

[52] U.S. Cl. D23/393; D25/138

[58] Field of Search D23/393, 386, 387; D25/113, 138, 114, 152, 155; 52/180, 177, 738, 302, 333, 663; 126/147, 151, 148

[56] References Cited

U.S. PATENT DOCUMENTS

- 58,660 8/1921 Clouser et al. D25/113
- D. 159,255 7/1950 Decker, Sr. et al. D25/114
- D. 256,158 7/1980 Ward D23/393
- D. 261,031 9/1981 Ward D23/393

- 1,163,034 12/1915 Phippen 52/302
- 2,706,109 4/1955 Ödman D25/155
- 3,132,447 5/1964 Hosbein D25/113
- 3,498,015 3/1970 Seaburg et al. 52/302
- 4,445,802 5/1984 Lööv D25/113
- 4,565,044 1/1986 Takahara 52/302

FOREIGN PATENT DOCUMENTS

- 2136472 9/1984 United Kingdom 52/177
- 2143556 2/1985 United Kingdom 52/177

Primary Examiner—James M. Gandy
Assistant Examiner—Lisa Lichtenstein
Attorney, Agent, or Firm—Thomas W. Tolpin; William H. Magidson; Ralph C. Medhurst

[57] CLAIM

The ornamental design for a double baffle tile for furnace for oil refineries, as shown.

DESCRIPTION

FIG. 1 is a front and left side perspective view of a double baffle tile for furnace for oil refineries, showing our new design;
FIG. 2 is a front elevation view thereof;
FIG. 3 is a rear elevation view thereof;
FIG. 4 is a top plan view thereof;
FIG. 5 is a bottom plan view thereof;
FIG. 6 is a left side elevation view thereof; and
FIG. 7 is a right side elevation view thereof.

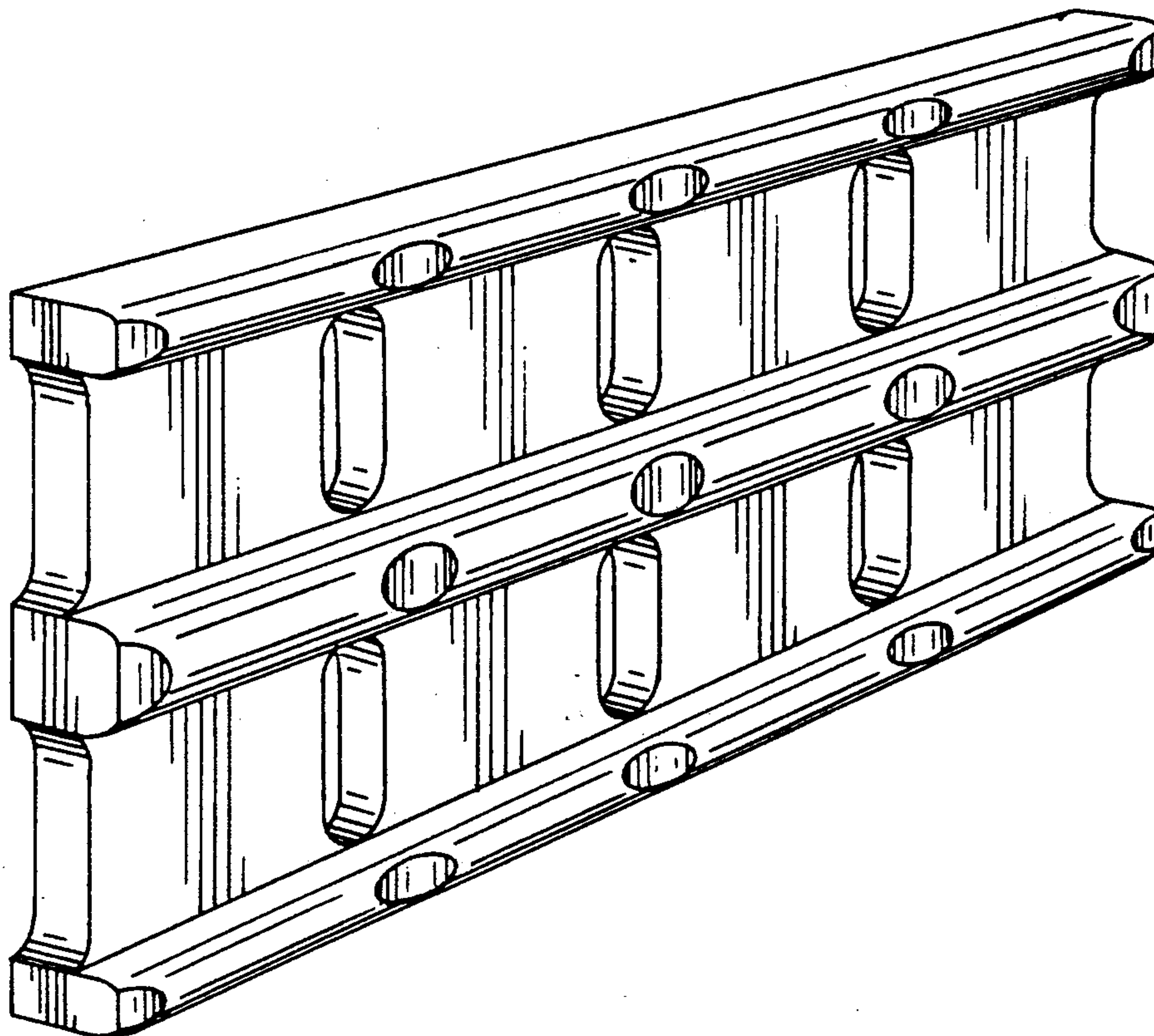


FIG. 1

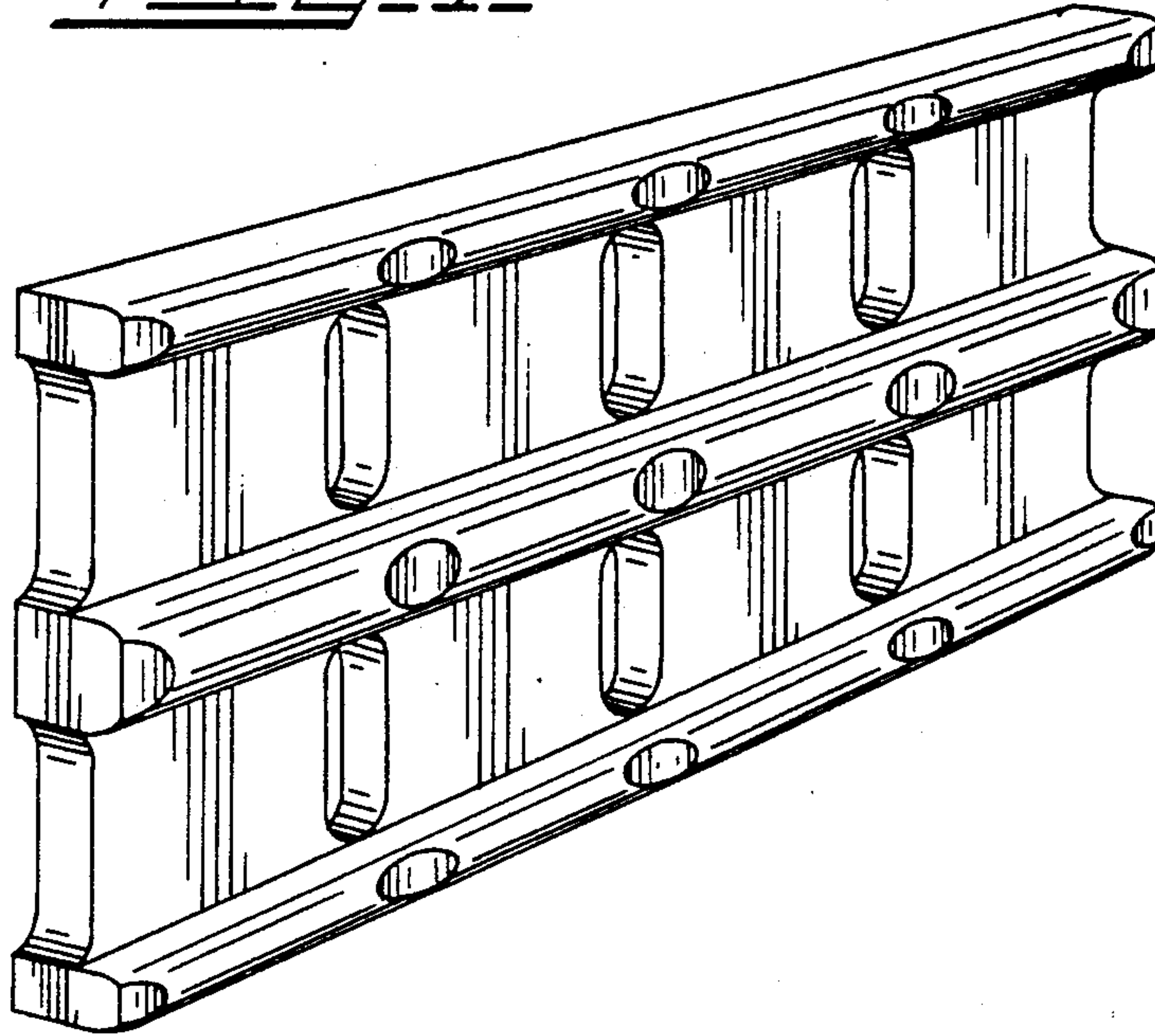


FIG. 2

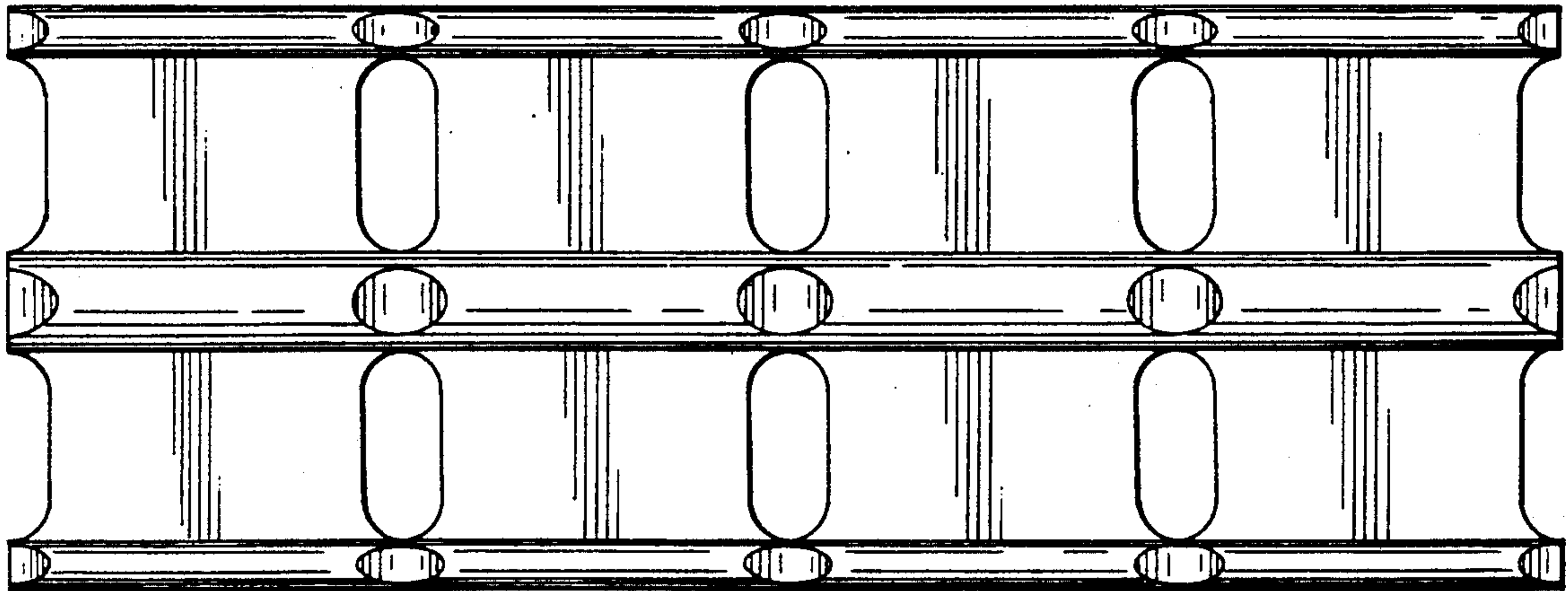


FIG-3

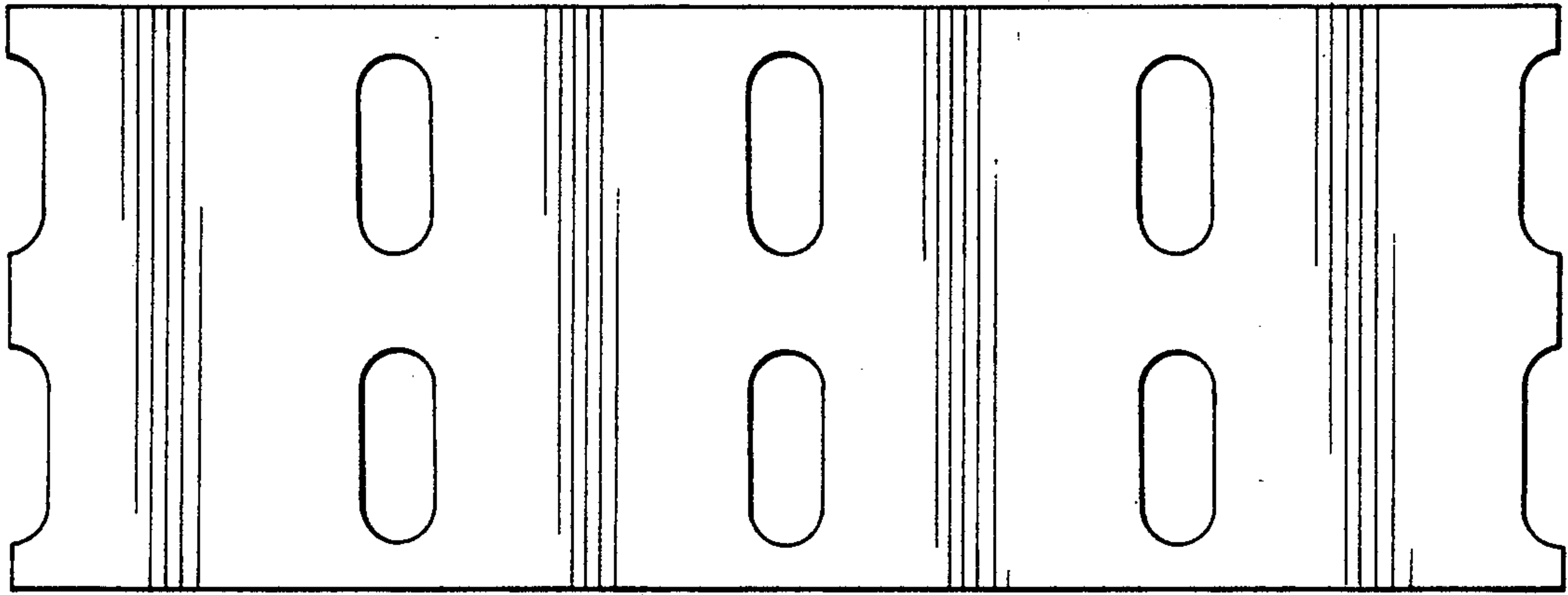


FIG-4

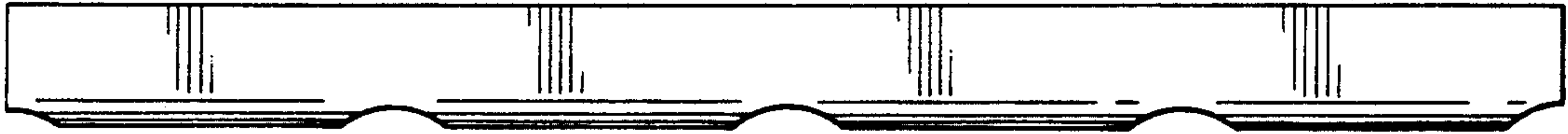


FIG-5



FIG-6



FIG-7



UNITED STATES PATENT OFFICE
CERTIFICATE OF CORRECTION

Patent No. Des. 318,527 Dated July 23, 1991

Inventor(s) Frank L. Groenewold, et al

It is certified that error appears in the above-identified patent and that said Letters Patent is hereby corrected as shown below:

<u>Col.</u>	<u>Line</u>	
2	-	"Fig. 3 is a rear elevation view" should read --Fig. 3 is a back view--
2	-	"Fig. 4 is a top plan view" should read --Fig. 4 is a rear elevation view--

**Signed and Sealed this
Ninth Day of March, 1993**

Attest:

STEPHEN G. KUNIN

Attesting Officer

Acting Commissioner of Patents and Trademarks