

[54] **CONVERTIBLE FAN UNIT**  
 [75] **Inventor: David B. Chaney, Powell, Ohio**  
 [73] **Assignee: The W. B. Marvin Manufacturing Company, Urbana, Ohio**  
 [\*\*] **Term: 14 Years**  
 [21] **Appl. No.: 390,666**  
 [22] **Filed: Aug. 7, 1989**  
 [52] **U.S. Cl. .... D23/382**  
 [58] **Field of Search .... D23/370, 382, 388; 415/119, 211.2, 213.1; 416/5, 247 R, 246**

4,657,483 4/1987 Bede ..... 415/222  
 4,838,151 6/1989 Shin-Chin ..... 98/94.1  
 4,872,399 10/1989 Chaney ..... 98/94.1

**OTHER PUBLICATIONS**

Lakewood Fan Cat., p. 9, High Velocity Reversible Window Fan.  
 Copy of a photograph of a Holmes Air Fan known by applicant before applicant's invention.  
 Lasko copy of advertisement—these fans were on sale prior to applicant's invention.

*Primary Examiner*—Wallace R. Burke  
*Assistant Examiner*—Lisa Lichtenstein  
*Attorney, Agent, or Firm*—Roger S. Dybvig

[56] **References Cited**

**U.S. PATENT DOCUMENTS**

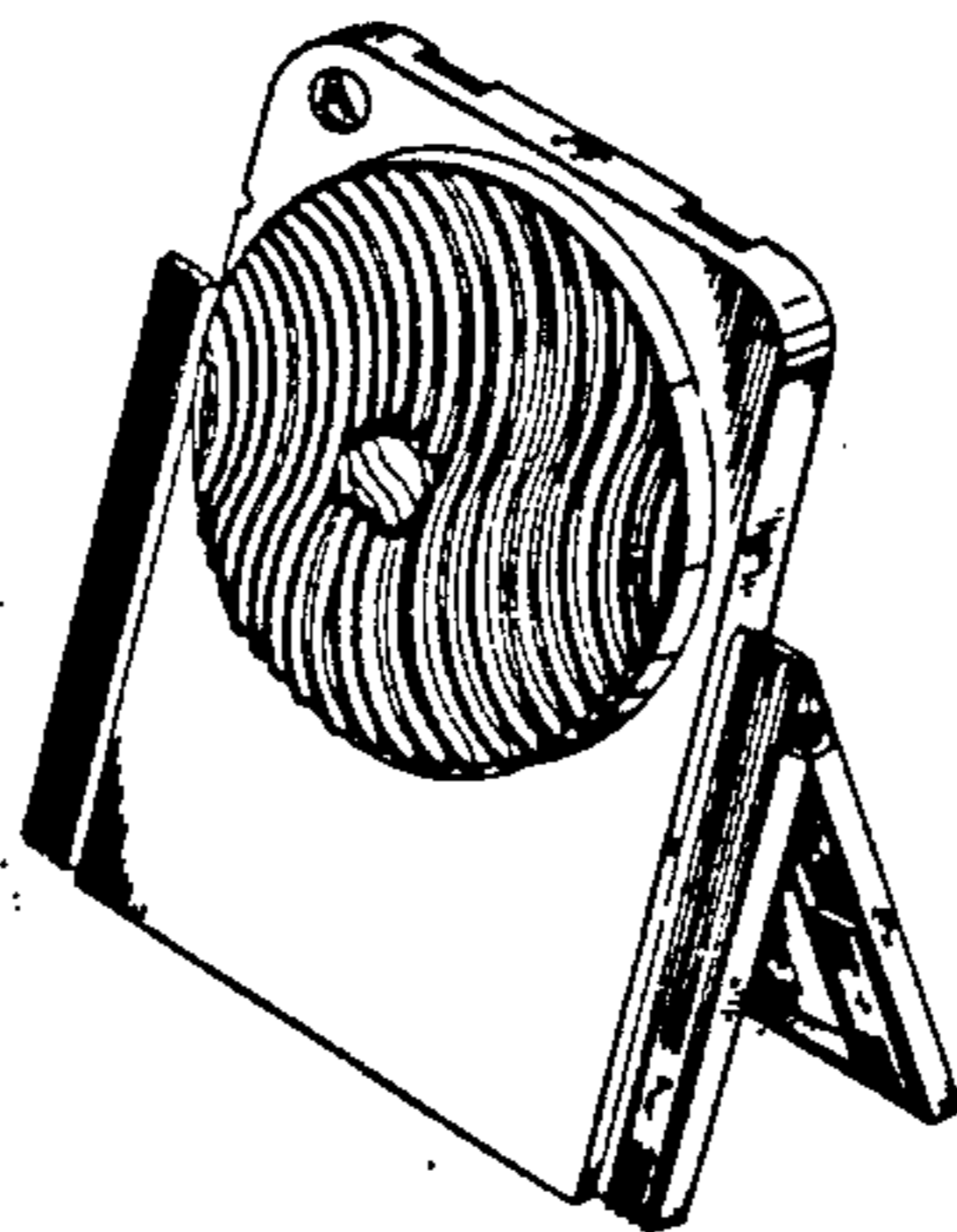
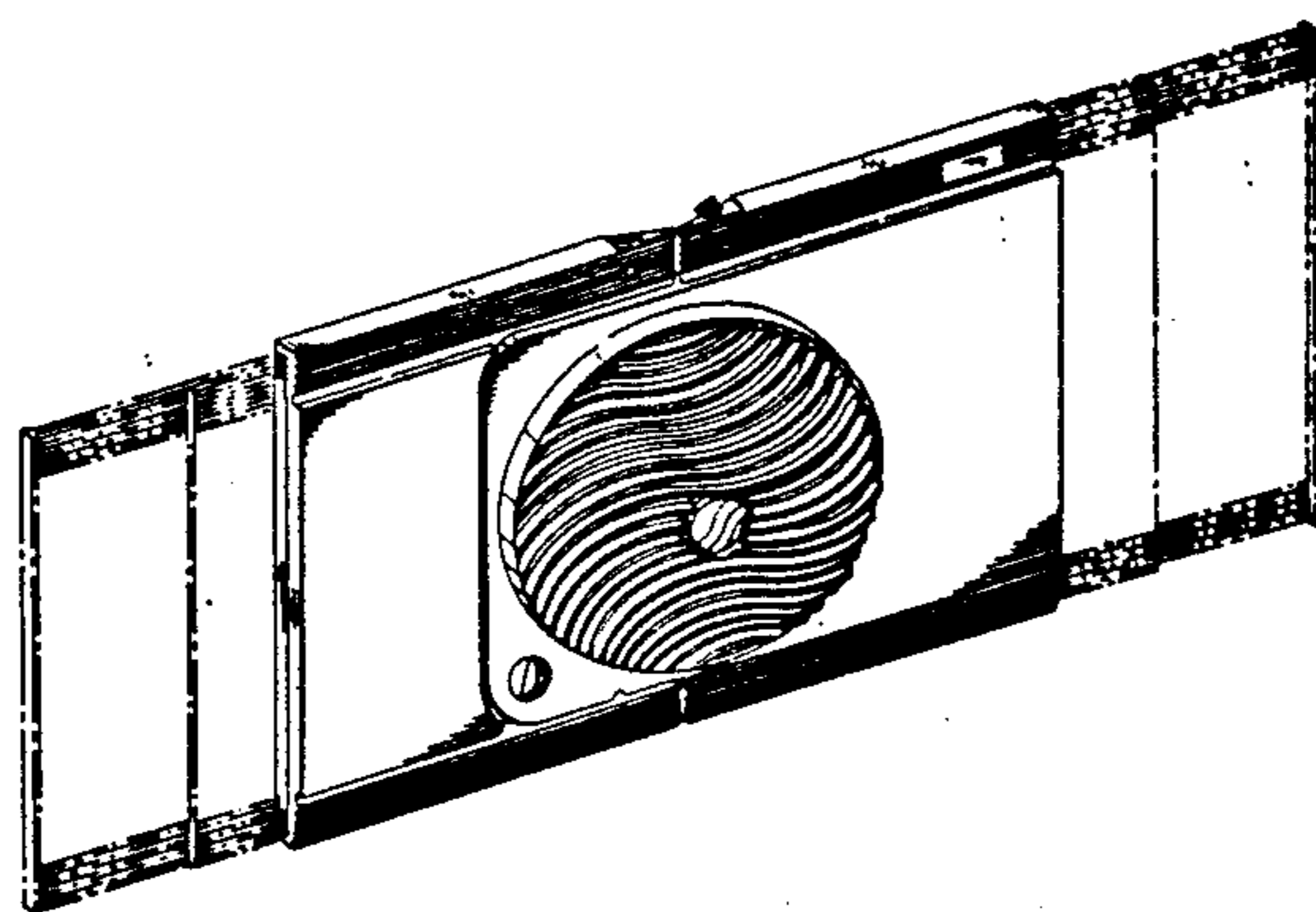
D. 164,139	7/1951	Bastian .....	D23/382
D. 179,847	3/1957	Griner .....	D23/388
D. 307,320	4/1990	Shin-Chin .....	D23/382
1,725,085	8/1929	Johnson .....	416/124
1,990,801	2/1935	Spear .....	416/171
2,118,282	5/1938	Will .....	98/1
2,123,448	7/1938	Weber .....	416/246
2,456,340	12/1948	Tideman .....	98/94.1
2,487,294	11/1949	Belter .....	98/94.1
2,644,390	7/1953	Delf et al. ....	98/94.1
2,691,336	10/1954	Nash .....	98/94.1
2,804,817	9/1957	Delf et al. ....	98/94.1
2,805,820	9/1957	Evarts .....	417/238
2,857,095	10/1958	Grau .....	416/246
4,123,197	10/1978	Keem et al. ....	415/123
4,222,318	9/1980	Patton et al. ....	98/94.1
4,341,151	7/1982	Sakamoto .....	98/94.1
4,350,472	9/1982	Morimoto .....	415/125
4,365,930	12/1982	Ogura et al. ....	415/61
4,425,840	1/1984	Masao .....	98/40.2
4,521,153	6/1985	Morimoto et al. ....	415/146

[57] **CLAIM**

The ornamental design for a convertible fan unit, as shown and described.

**DESCRIPTION**

FIG. 1 is a front, top and left side perspective view of a convertible fan unit, set up to function as a window fan, showing my new design;  
 FIG. 2 is a front elevation view thereof;  
 FIG. 3 is a right side elevation view thereof;  
 FIG. 4 is a rear elevation view thereof;  
 FIG. 5 is a left side elevation view thereof;  
 FIG. 6 is a top plan view thereof;  
 FIG. 7 is a bottom plan view thereof;  
 FIG. 8 is a front perspective view thereof shown set up as it would be to function as a floor or table fan; and  
 FIG. 9 is a rear perspective view of FIG. 8.  
 The broken-line showing of sliding panels in FIG. 1 is for illustrative purposes only, and forms no part of the claimed design.



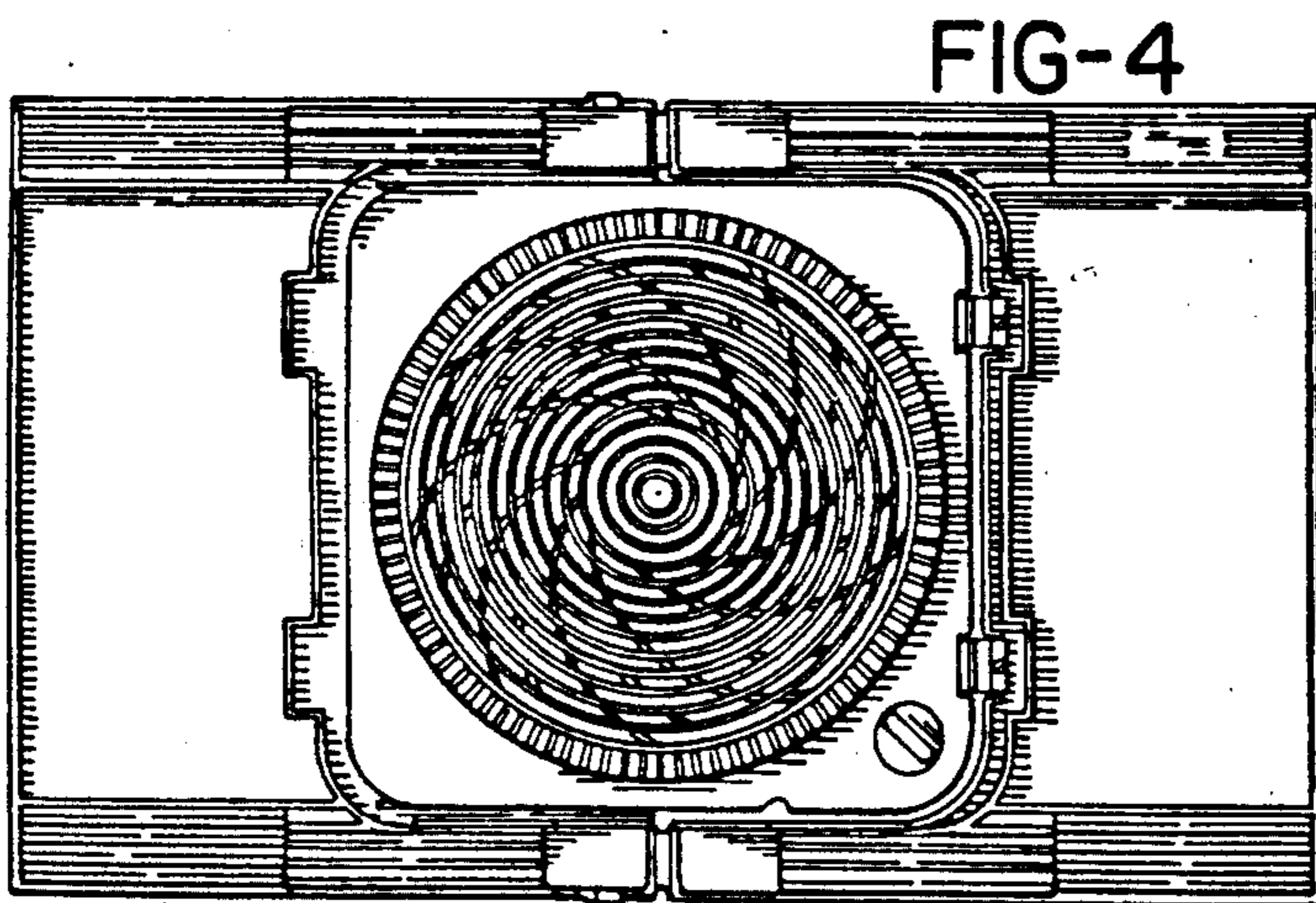
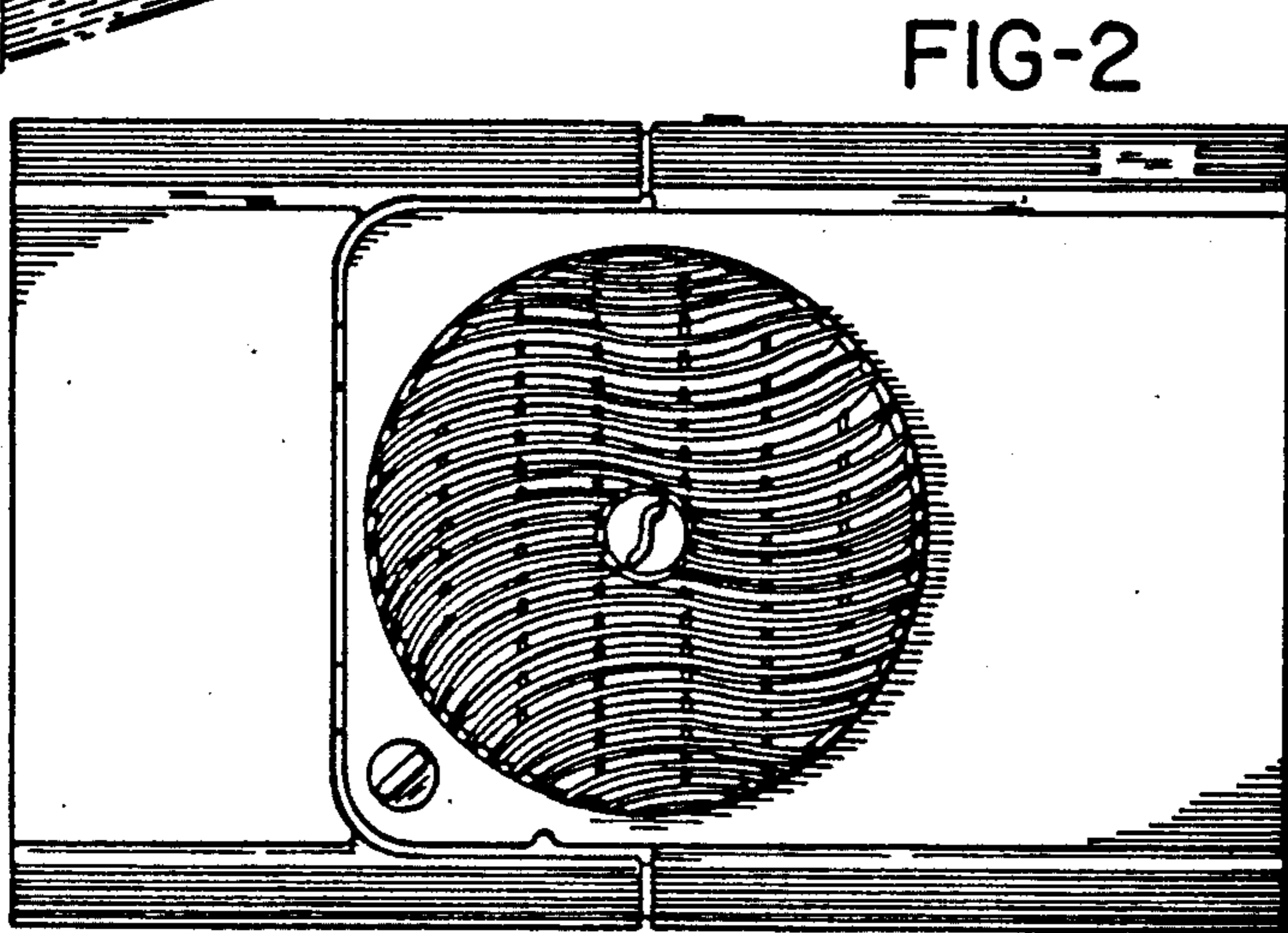
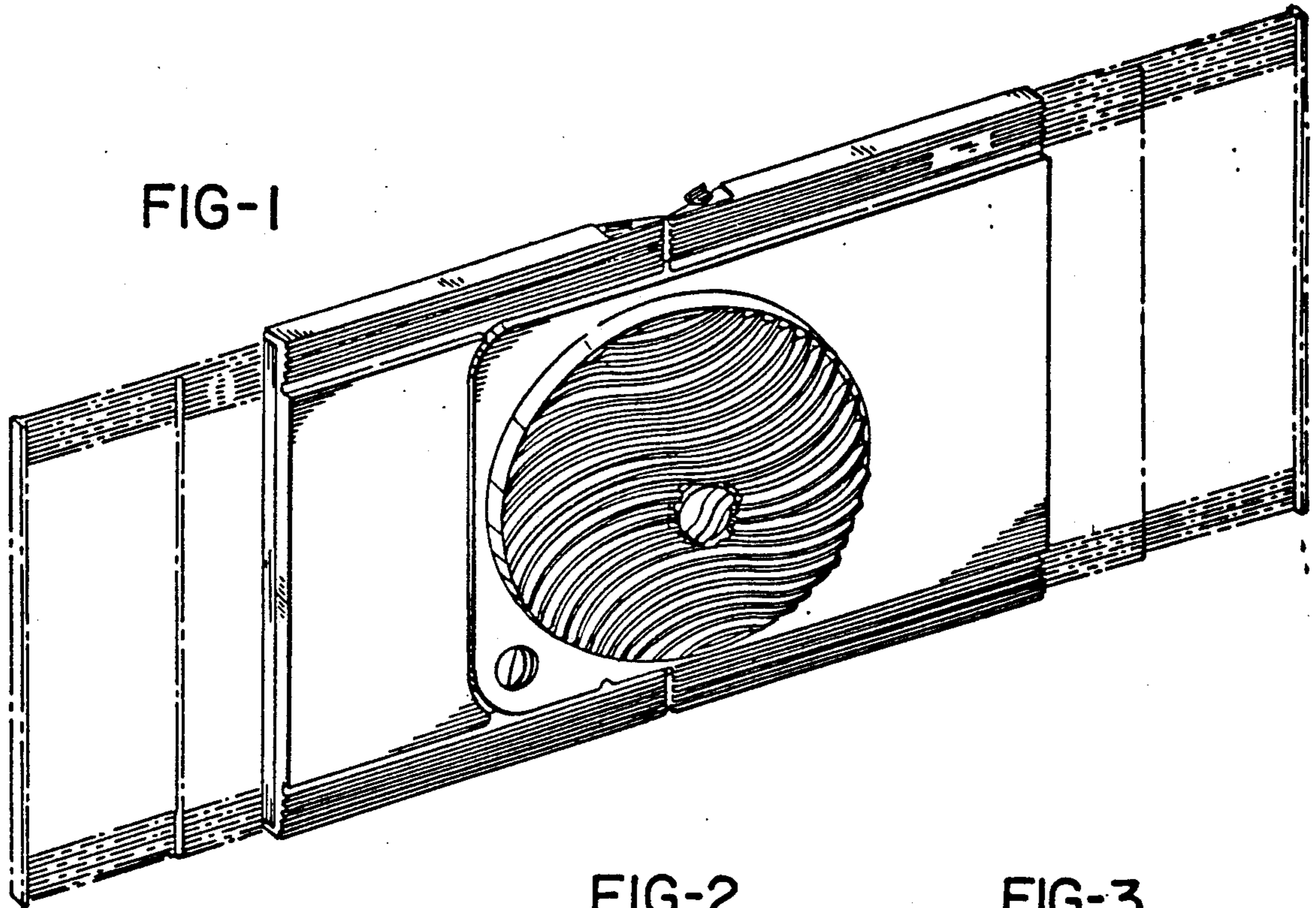


FIG-3

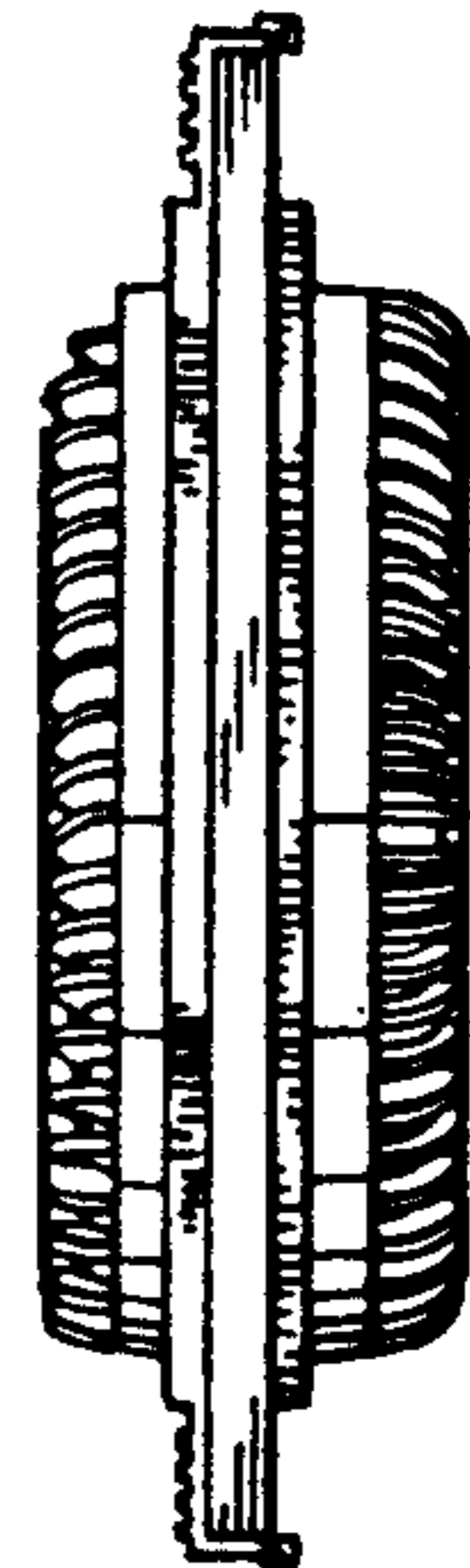


FIG-5

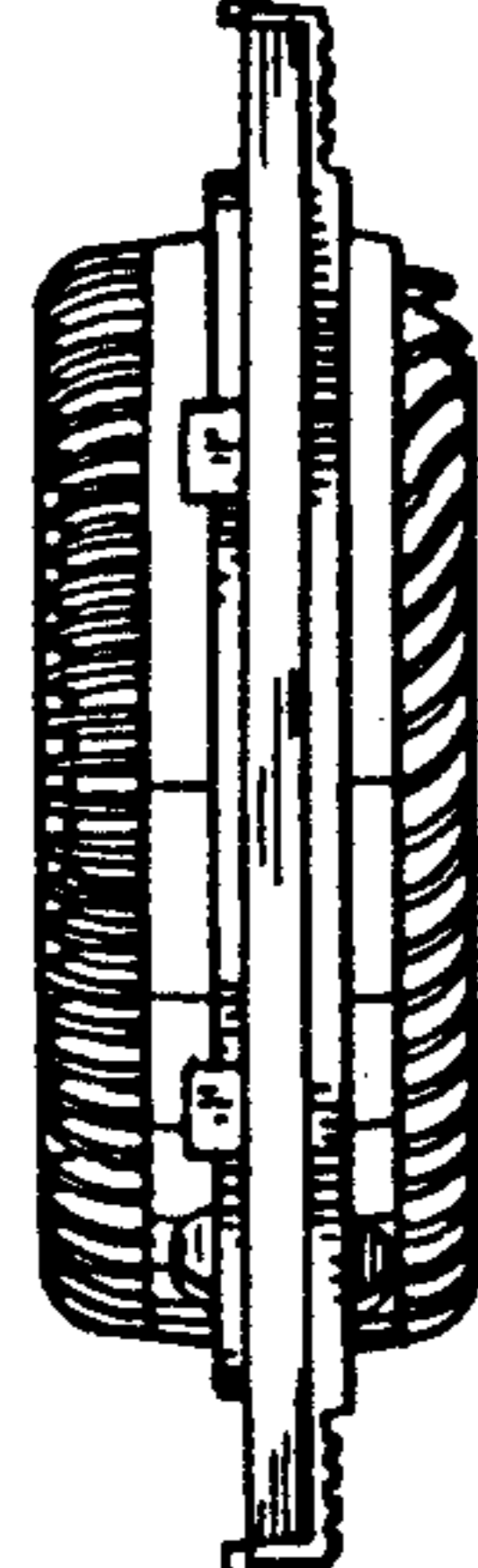


FIG-6

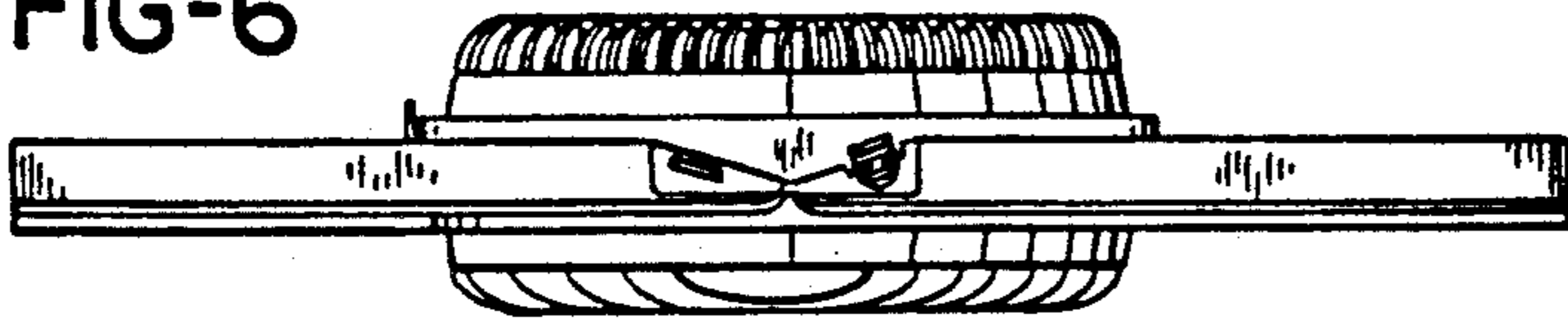


FIG-7

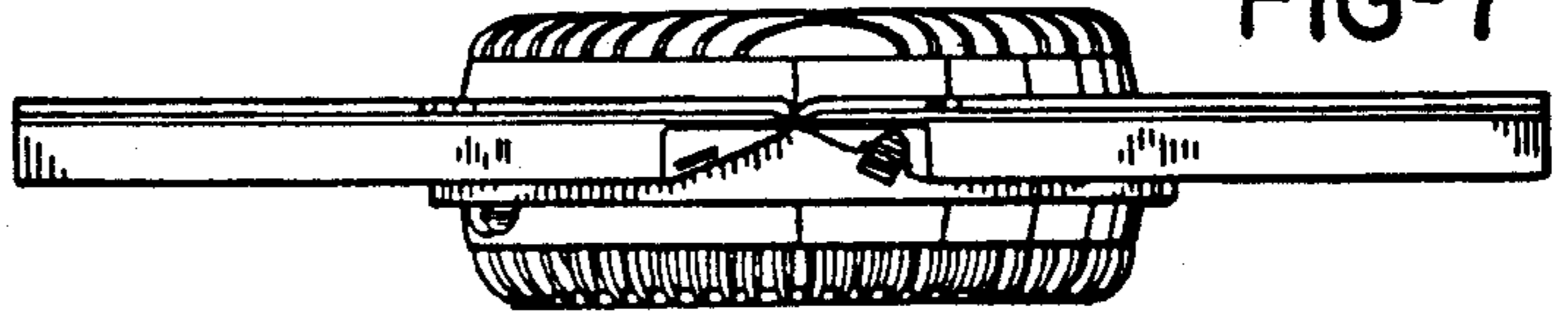


FIG-8

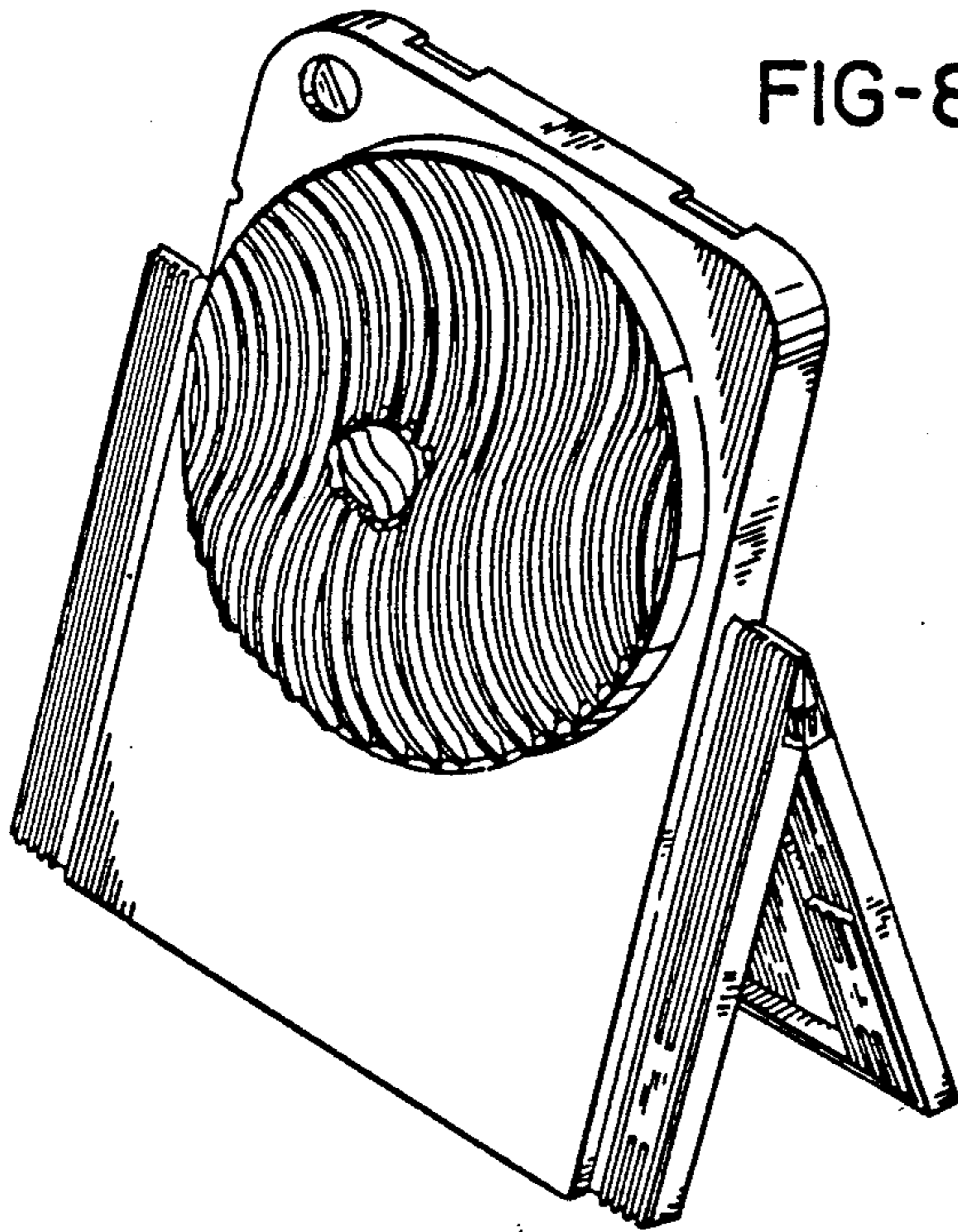


FIG-9

