

[54] COUPLING FOR BUNG ADAPTER

[75] Inventor: Brook J. Beaston, Wichita, Kans.

[73] Assignee: Great Plains Industries, Inc.,
Wichita, Kans.

[**] Term: 14 Years

[21] Appl. No.: 251,553

[22] Filed: Sep. 30, 1988

Related U.S. Application Data

[63] Continuation-in-part of Ser. No. 229,098, Aug. 4, 1988.
[52] U.S. Cl. D23/262
[58] Field of Search D9/434, 435;
D23/260-261; D34/39; 220/288; 222/399,
400.7, 400.6; 251/149.5

[56] References Cited

U.S. PATENT DOCUMENTS

D. 274,548 7/1984 Shaw D23/260
3,439,844 4/1969 Johnston 222/400.7
3,550,818 12/1970 Johnston 222/400.7
3,822,716 7/1974 Martin et al. 222/400.7

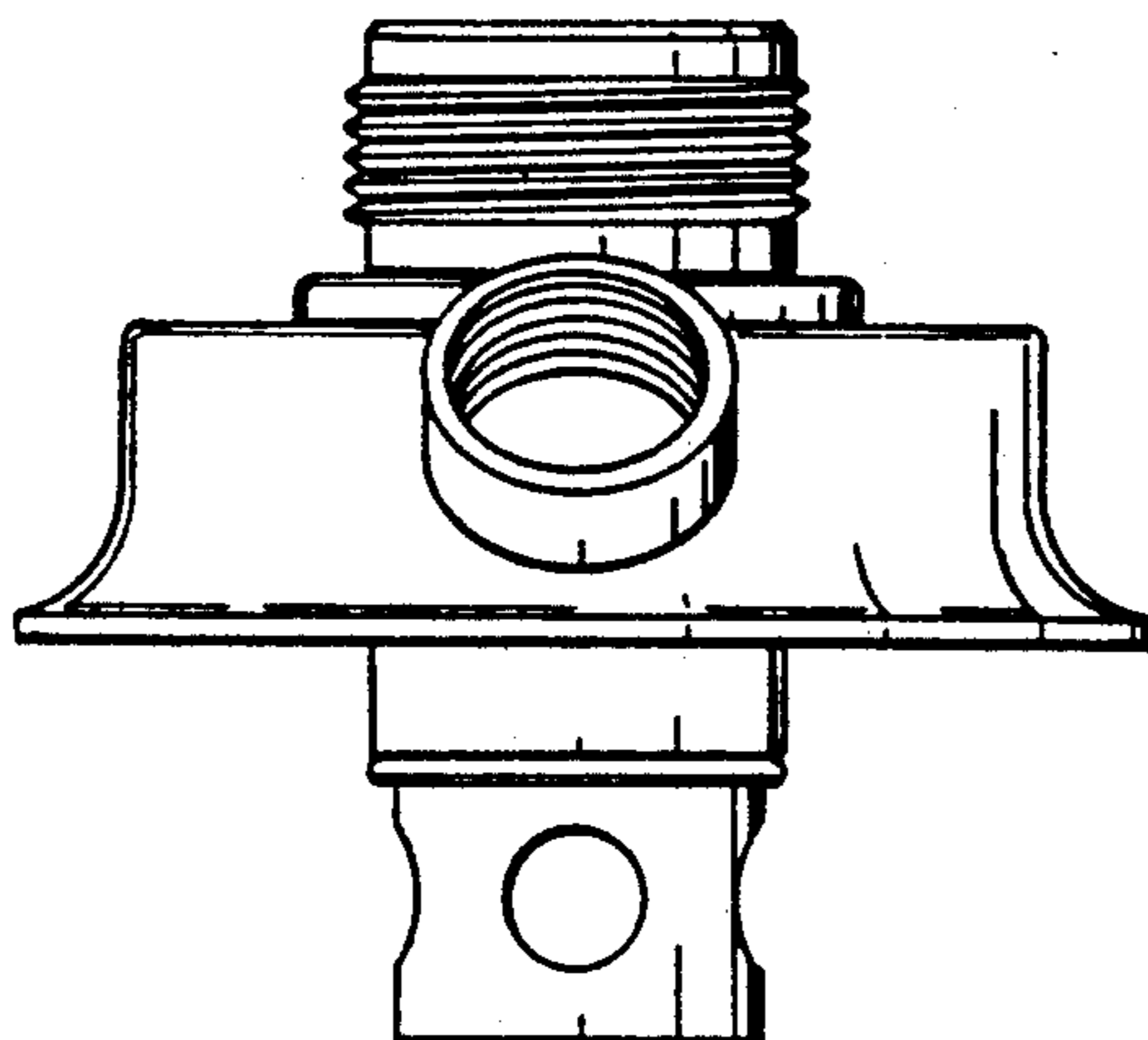
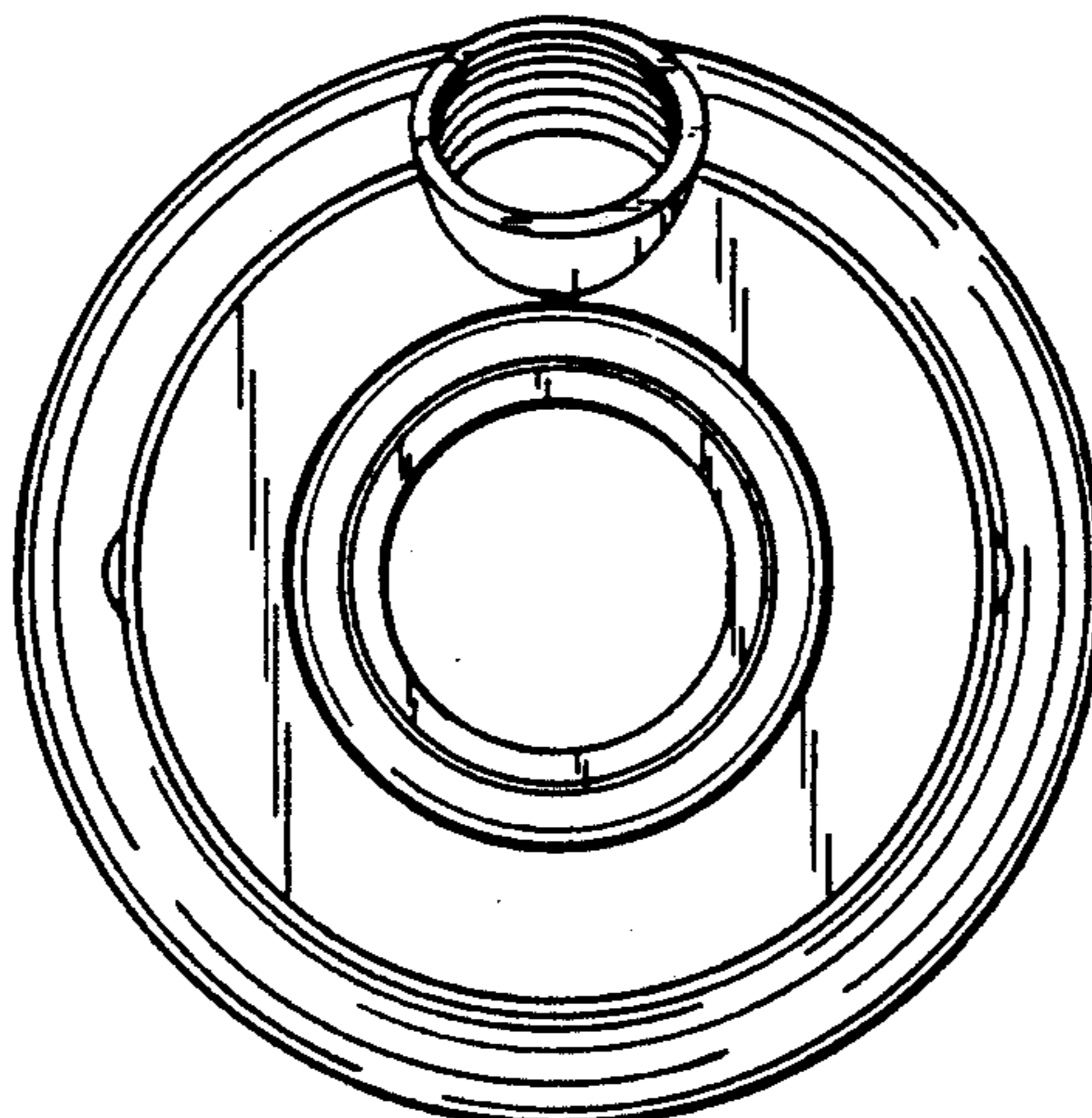
Primary Examiner—James R. Largen
Attorney, Agent, or Firm—Bill D. McCarthy

[57] CLAIM

The ornamental design for a coupling for bung adapter,
as shown and described.

DESCRIPTION

FIG. 1 is a top plan view of a coupling for bung adapter
showing my new design;
FIG. 2 is a bottom plan view thereof;
FIG. 3 is a front elevational view thereof;
FIG. 4 is a rear elevational view thereof;
FIG. 5 is a right side elevational view thereof; and
FIG. 6 is a left side elevational view thereof.



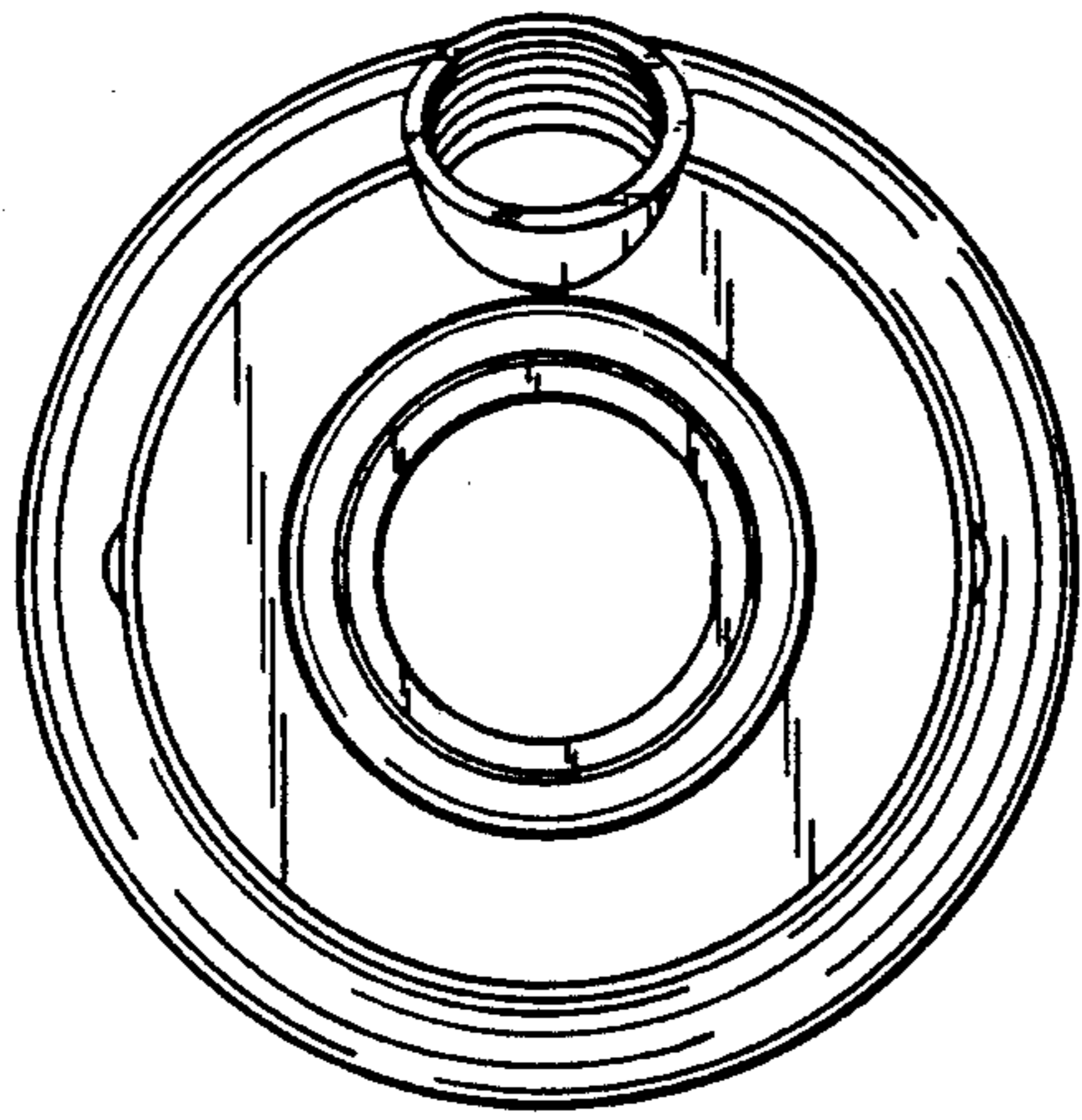


FIG. 1

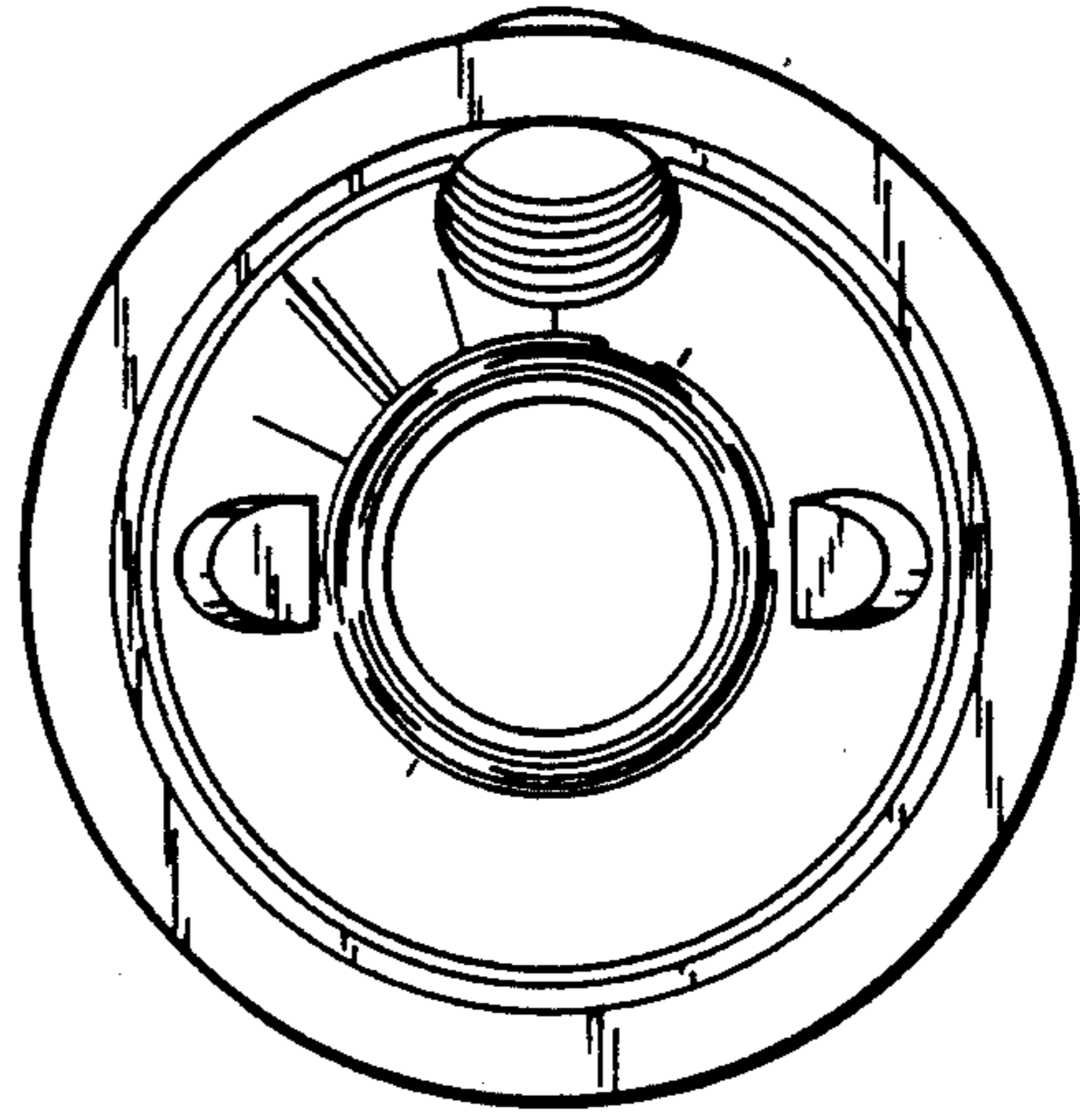


FIG. 2

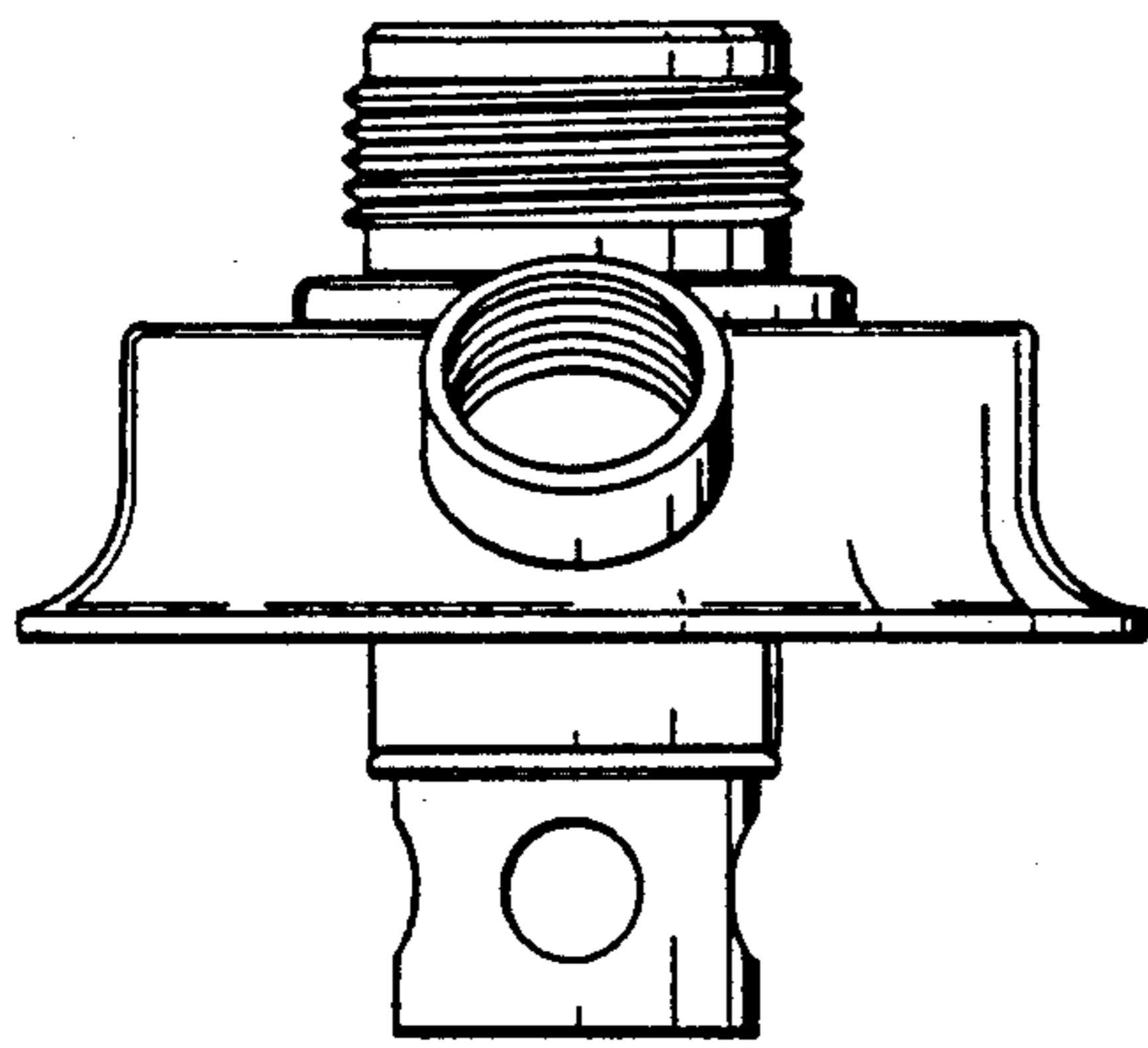


FIG. 3

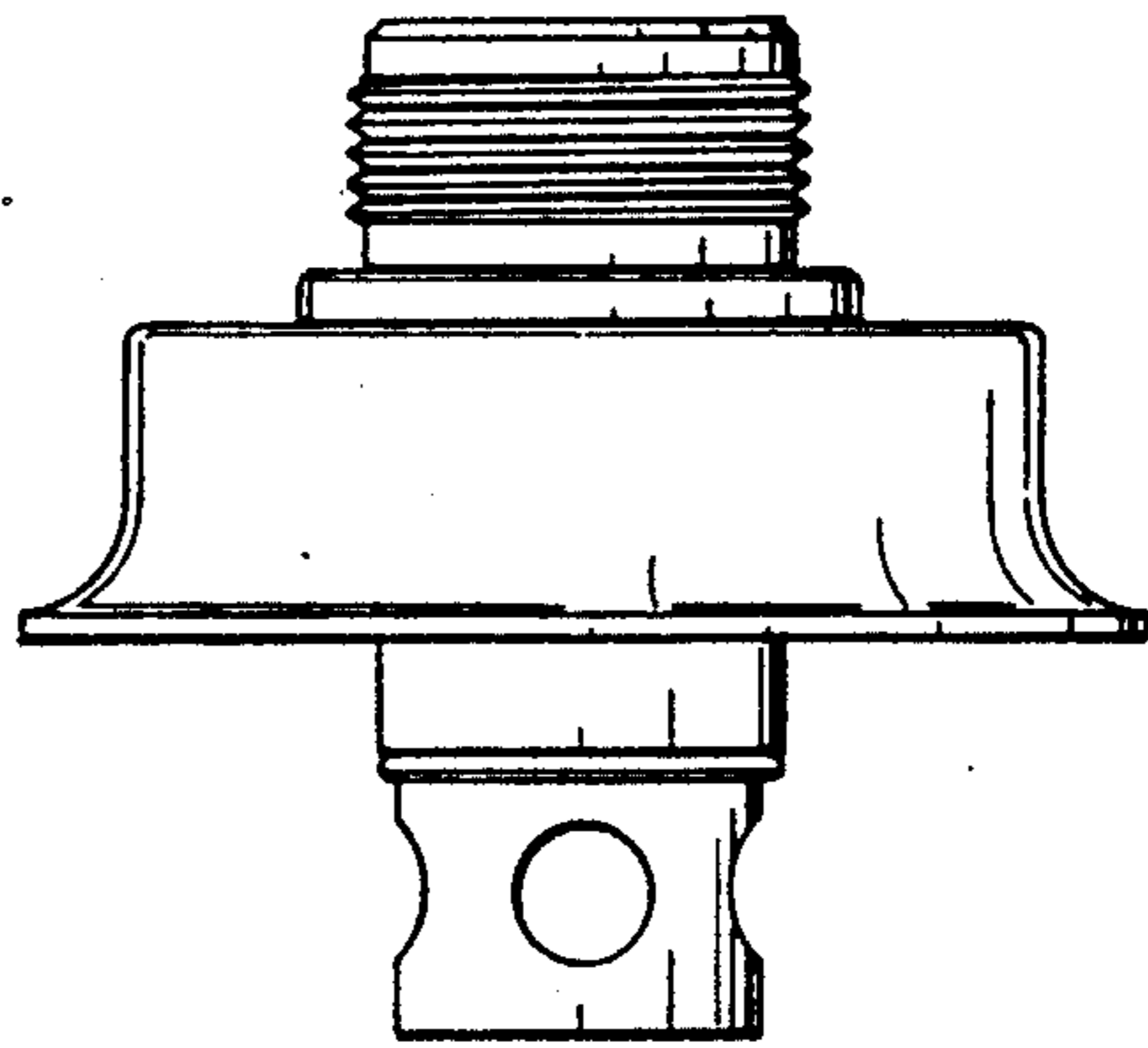


FIG. 4

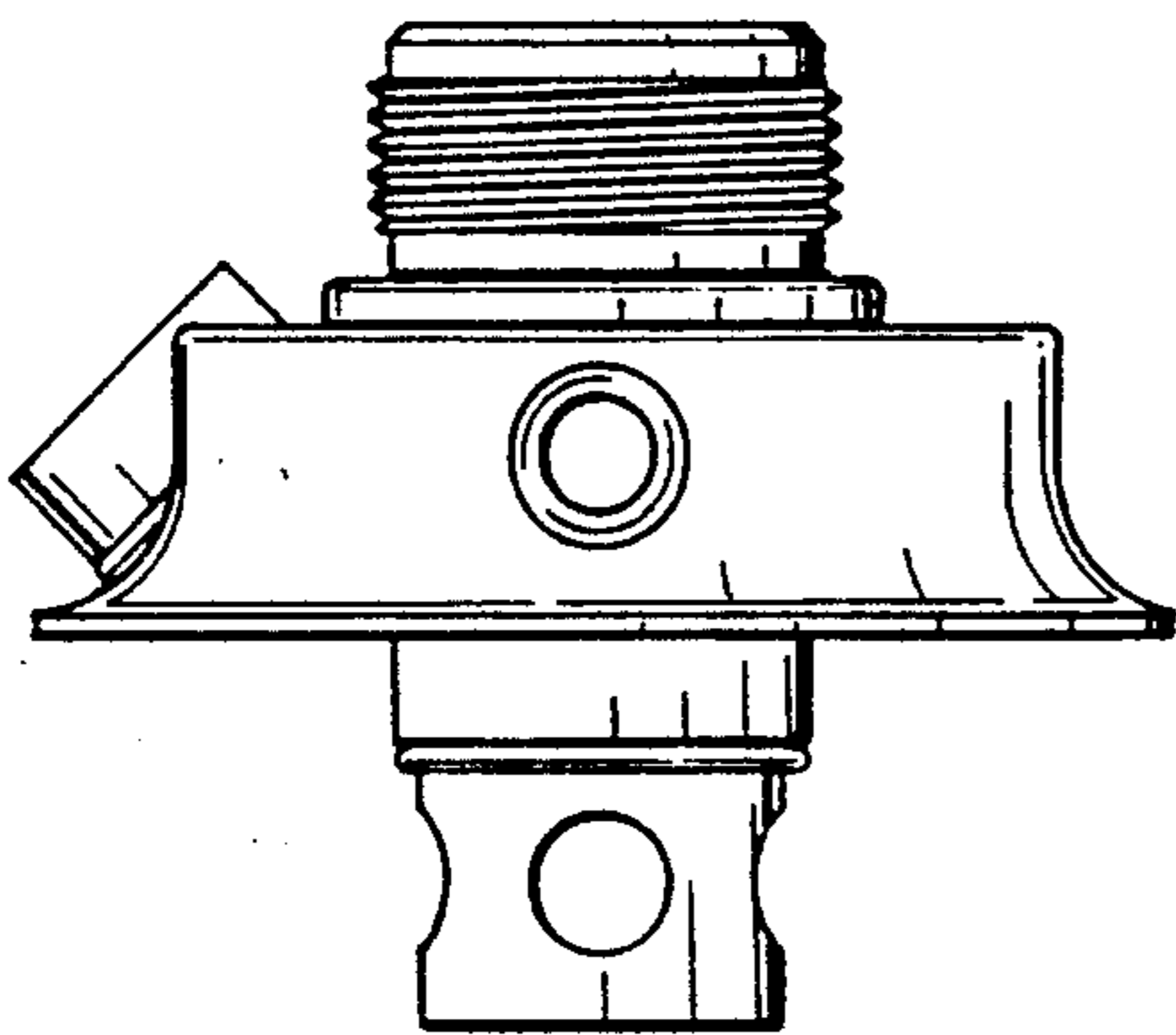


FIG. 5

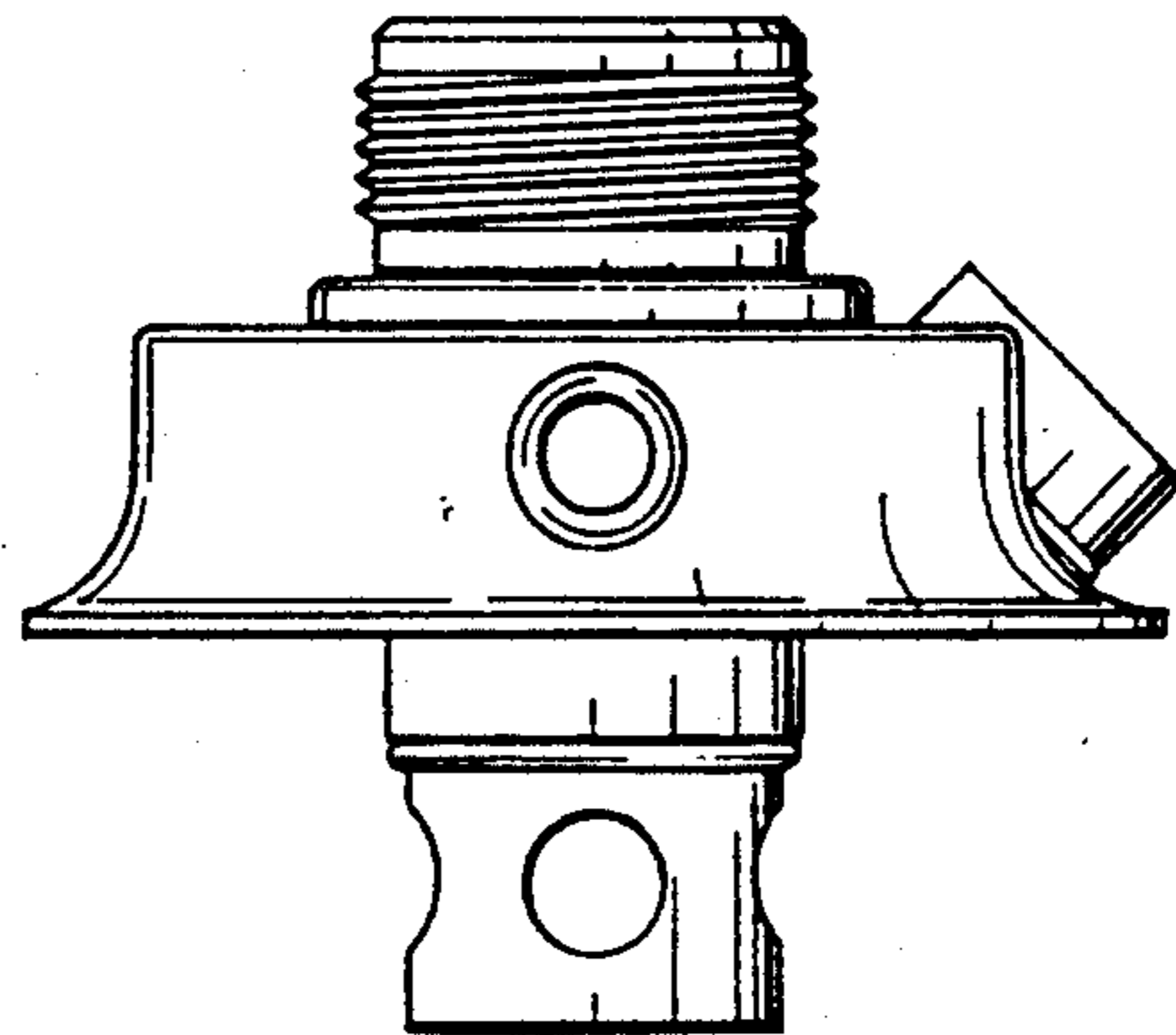


FIG. 6