

[54] COMBINED ELECTRIC ACTUATOR AND VALVE CONTROLLER

[75] Inventors: Allan M. Kuivila, Mentor; Peter C. Williams, Cleveland, both of Ohio

[73] Assignee: Whitey Co., Highland Hts., Ohio

[**] Term: 14 Years

[21] Appl. No.: 301,340

[22] Filed: Jan. 24, 1989

[52] U.S. Cl. D23/245

[58] Field of Search 251/171, 174, 214, 315, 251/129.15; 137/556, 72, 312, 328, 625.470; D23/233; 257/129.11, 129.12; 310/89

3,263,959 8/1966 Wlismiewski 251/129.15
 3,651,833 3/1972 Piko 251/129.15
 3,653,630 4/1972 Ritsema 251/129.15
 3,965,923 6/1976 Allen 251/129.15
 4,056,255 11/1977 Lace 251/129.15
 4,091,348 5/1978 Kawamoto et al. 251/129.15

Primary Examiner—A. Hugo Word
 Assistant Examiner—Demetrius Reynolds
 Attorney, Agent, or Firm—Fay, Sharpe, Beall, Fagan, Minnich & McKee

[56] References Cited
 U.S. PATENT DOCUMENTS

D. 211,085 5/1968 Padula D23/233
 D. 223,095 3/1972 Allen D23/233
 D. 229,413 11/1973 Luckenbill et al. D23/233
 D. 246,907 1/1978 Fialkowski et al. D23/233
 3,103,339 9/1963 Rose 251/335.1

[57] CLAIM

The ornamental design for combined electric actuator and valve controller, as shown.

DESCRIPTION

FIG. 1 is a top plan view of an combined electric actuator and valve controller showing our new design; FIG. 2 is a front elevational view thereof, the rear view being a mirror image of the front shown; FIG. 3 is a bottom plan view thereof; FIG. 4 is a right side elevational view thereof; and, FIG. 5 is a left side elevational view thereof.

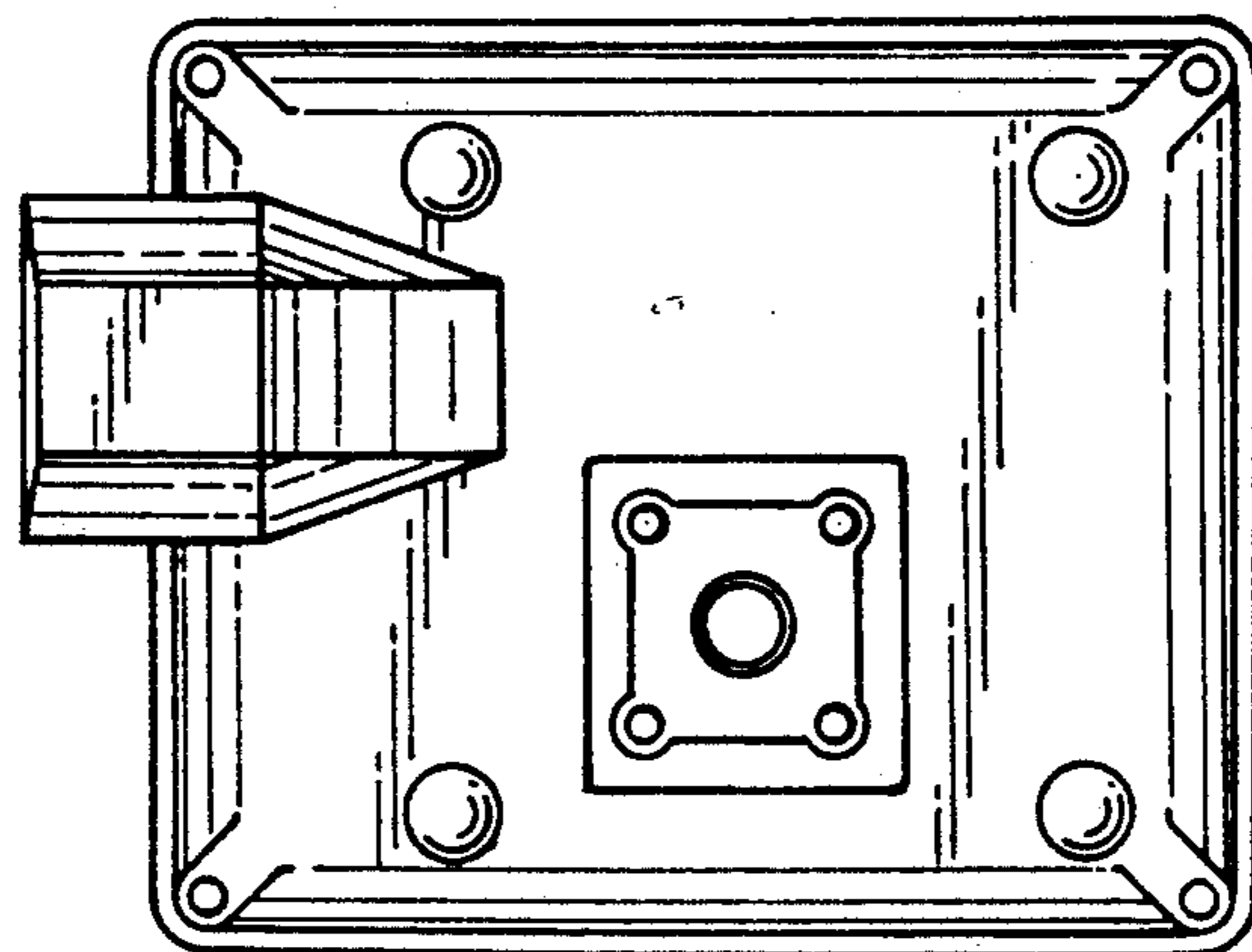
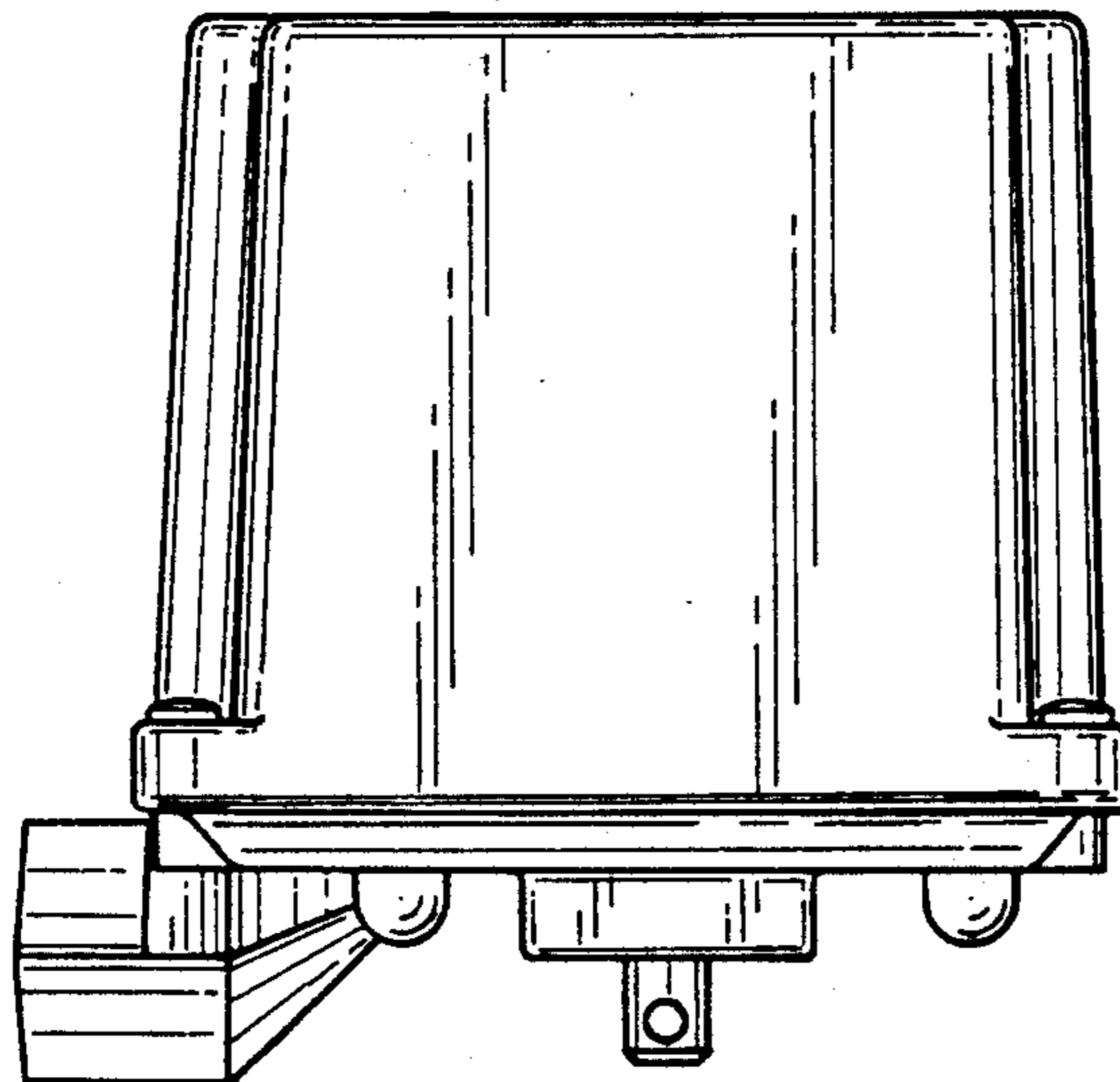


FIG. 1

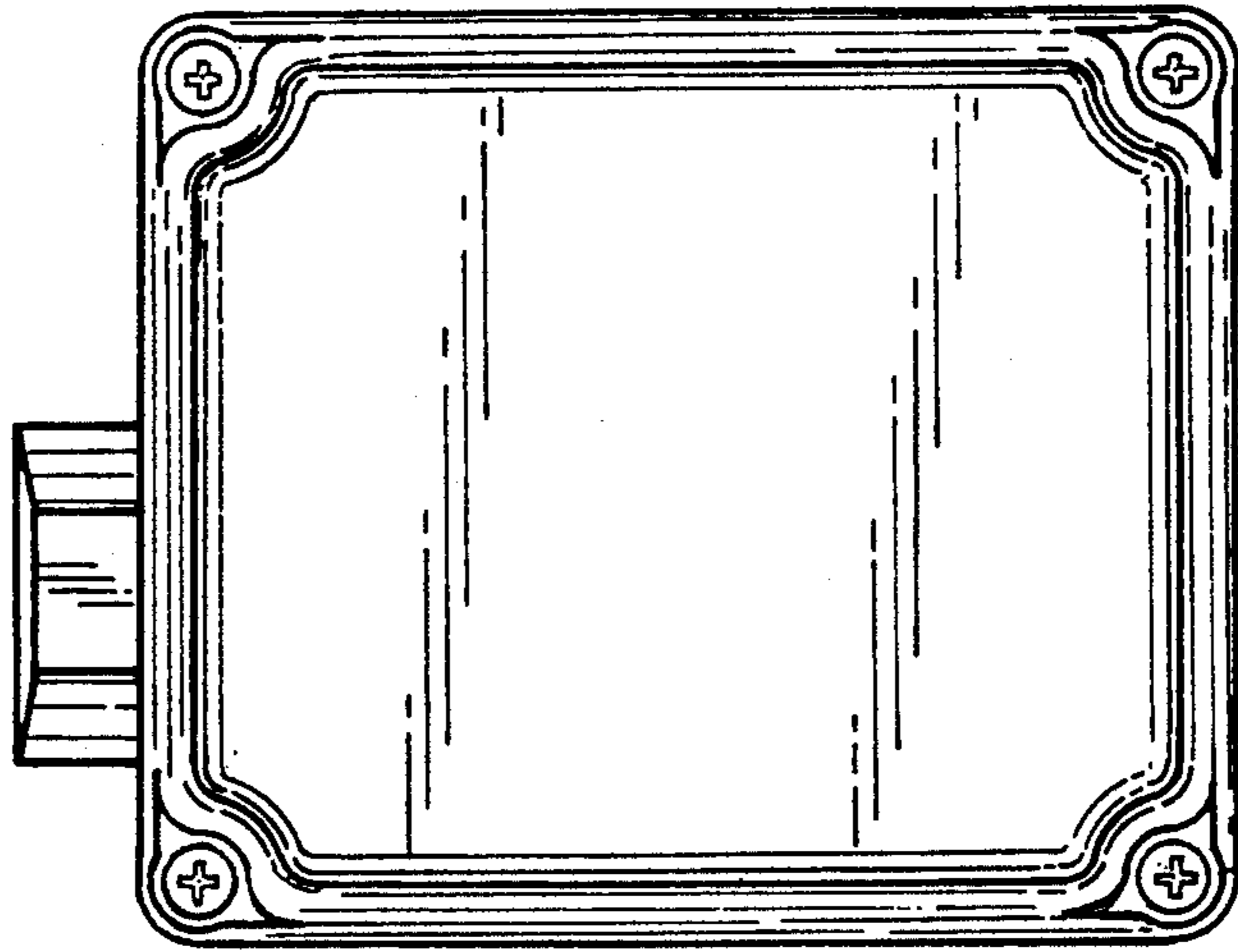


FIG. 2

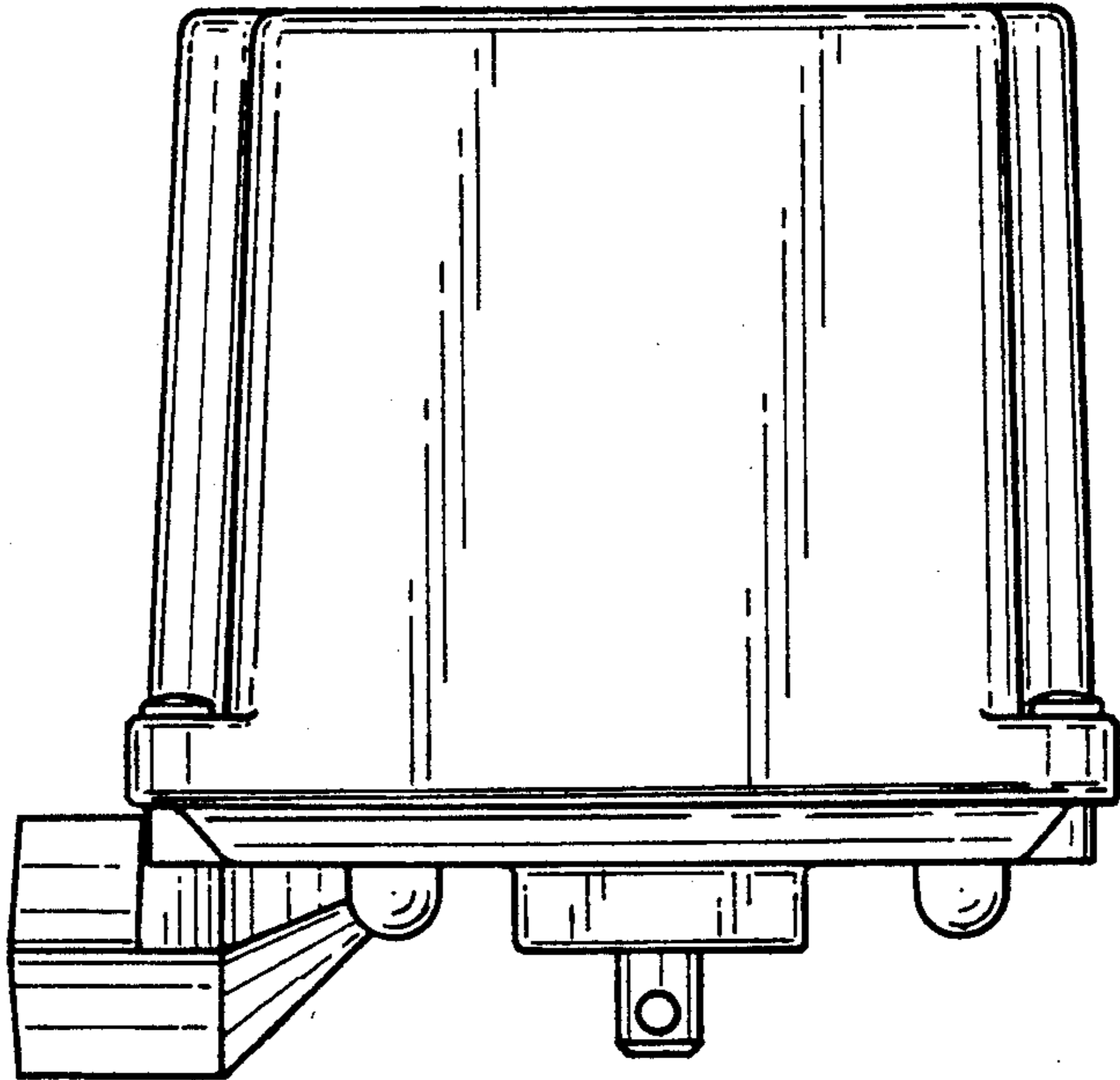


FIG. 3

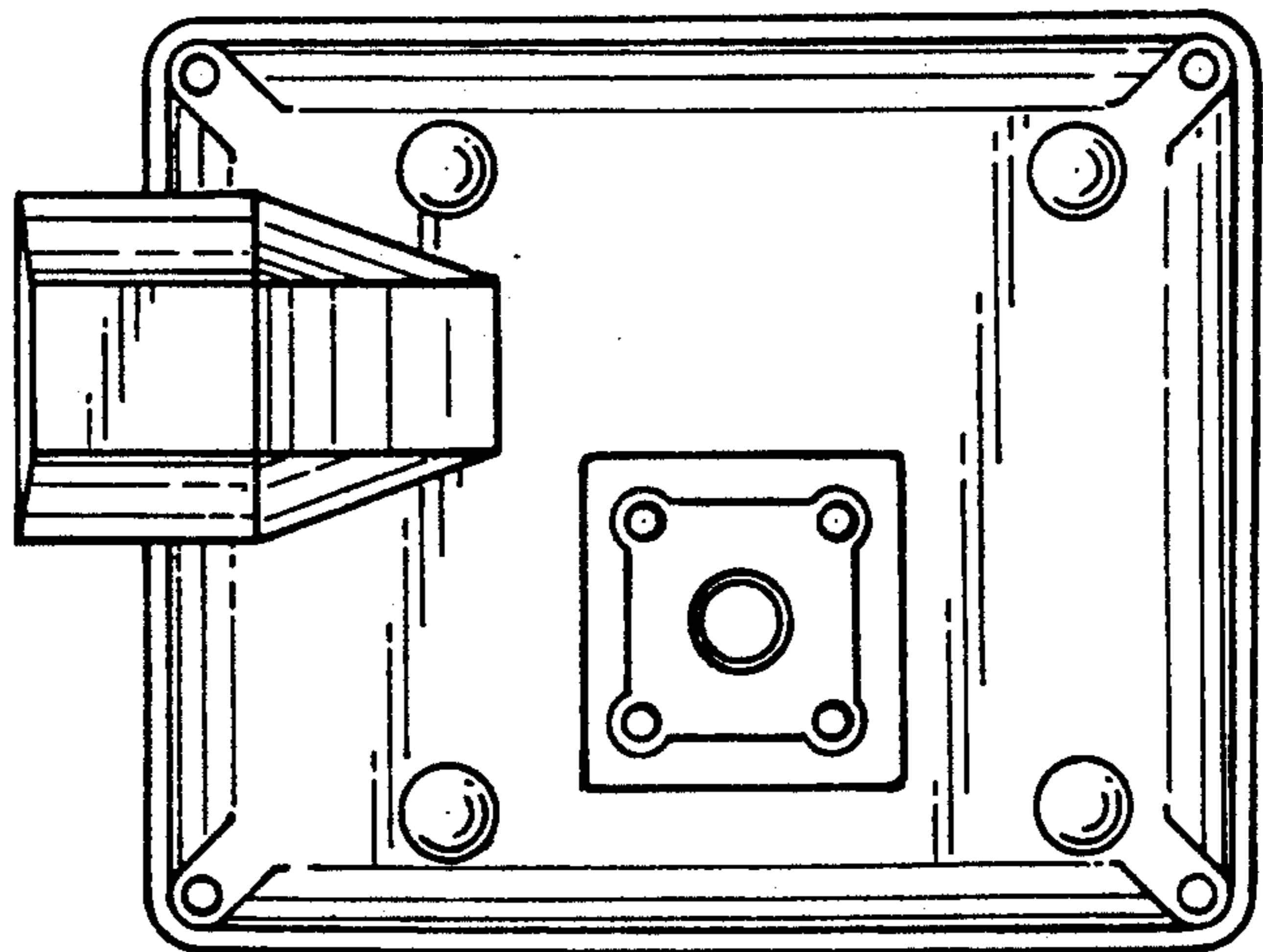


FIG. 4

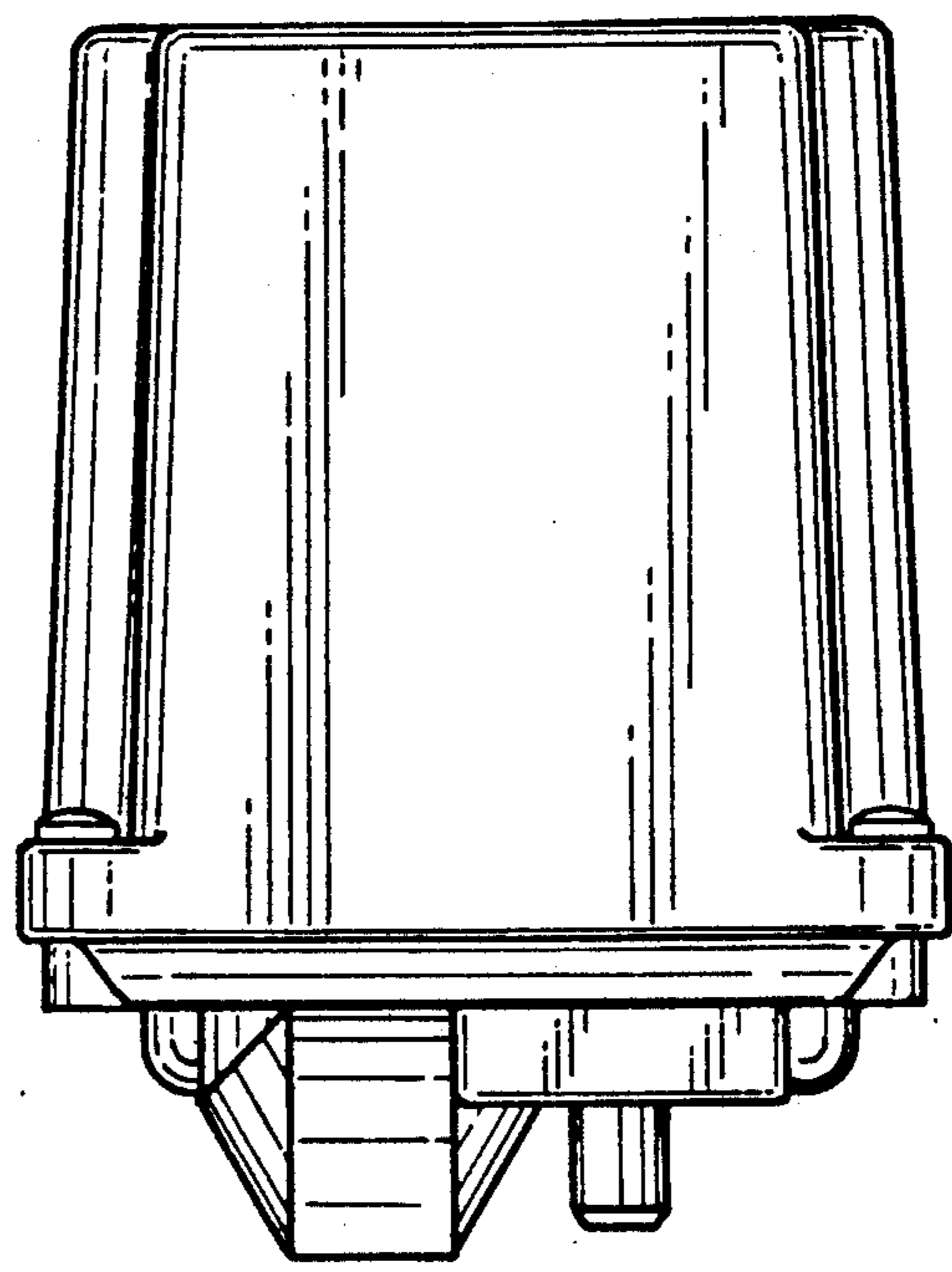


FIG. 5

