

[54] FISHING REEL

[76] Inventor: Shin-Yuan Yeh, 2nd Fl., No. 2-4,  
Chen-Hsing Rd., Tai Ping Hsiang,  
Taichung Hsien, Taiwan

[\*\*] Term: 14 Years

[21] Appl. No.: 260,483

[22] Filed: Oct. 21, 1988

[52] U.S. Cl. .... D22/140

[58] Field of Search ..... D22/140, 141;  
242/257-262, 279

[56] References Cited

U.S. PATENT DOCUMENTS

- D. 261,297 10/1981 Sakamoto et al. .... D22/140  
D. 269,899 7/1983 Shohoji et al. .... D22/140  
D. 280,846 10/1985 Sakamoto et al. .... D22/140

- D. 300,842 4/1989 Doi et al. .... D22/140  
2,458,298 1/1949 Polevoy ..... 242/279 X  
2,484,546 10/1949 Berlinger ..... 242/279

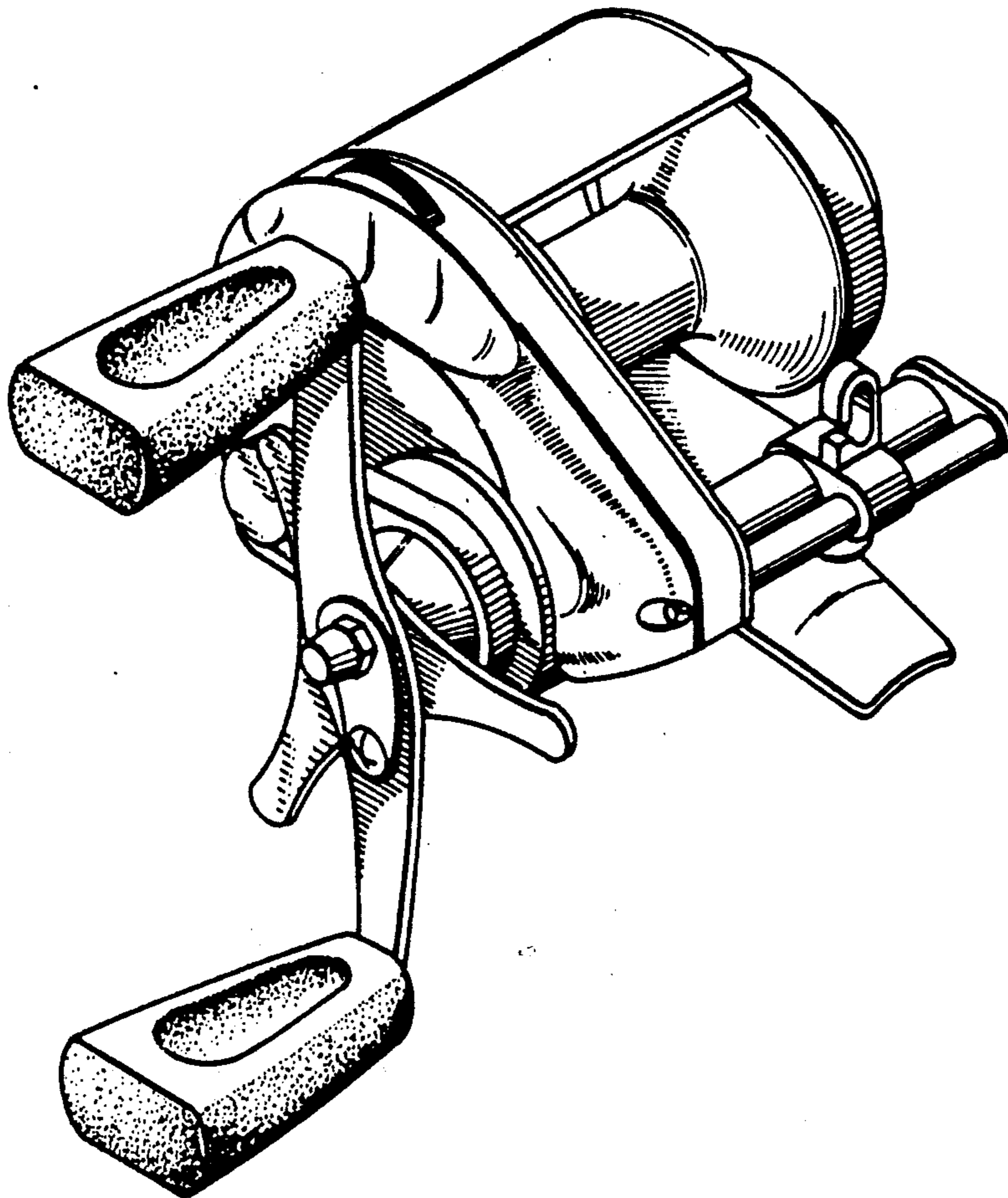
Primary Examiner—A. Hugo Word  
Assistant Examiner—Doris V. Coles

[57] CLAIM

The ornamental design for a fishing reel, as shown and described.

DESCRIPTION

FIG. 1 is a perspective view of a fishing reel, showing my new design;  
FIG. 2 is a front elevational view thereof;  
FIG. 3 is a rear elevational view thereof;  
FIG. 4 is a top plan view thereof;  
FIG. 5 is a bottom plan view thereof;  
FIG. 6 is a left side elevational view thereof; and  
FIG. 7 is a right side elevational view thereof.



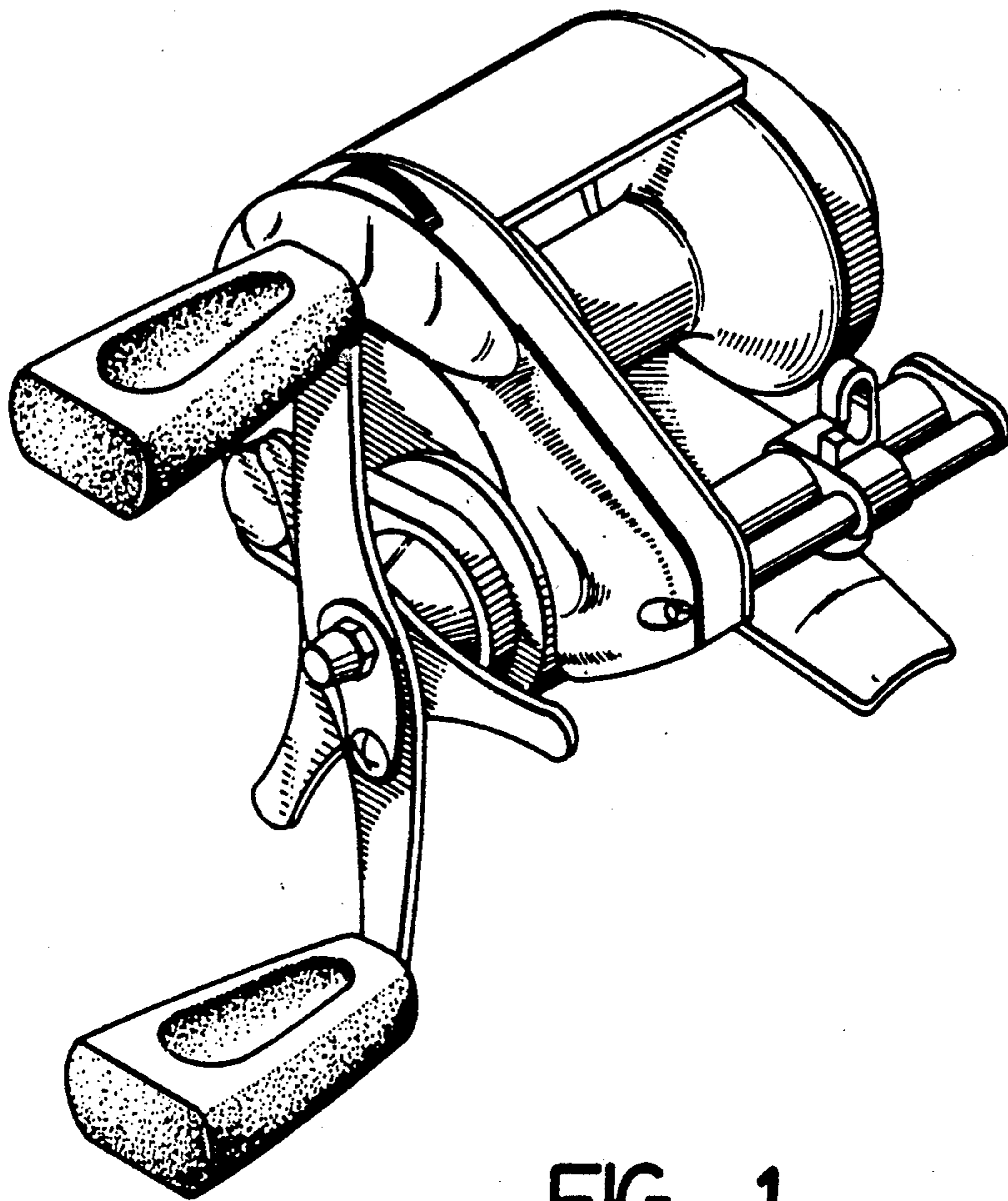


FIG. 1

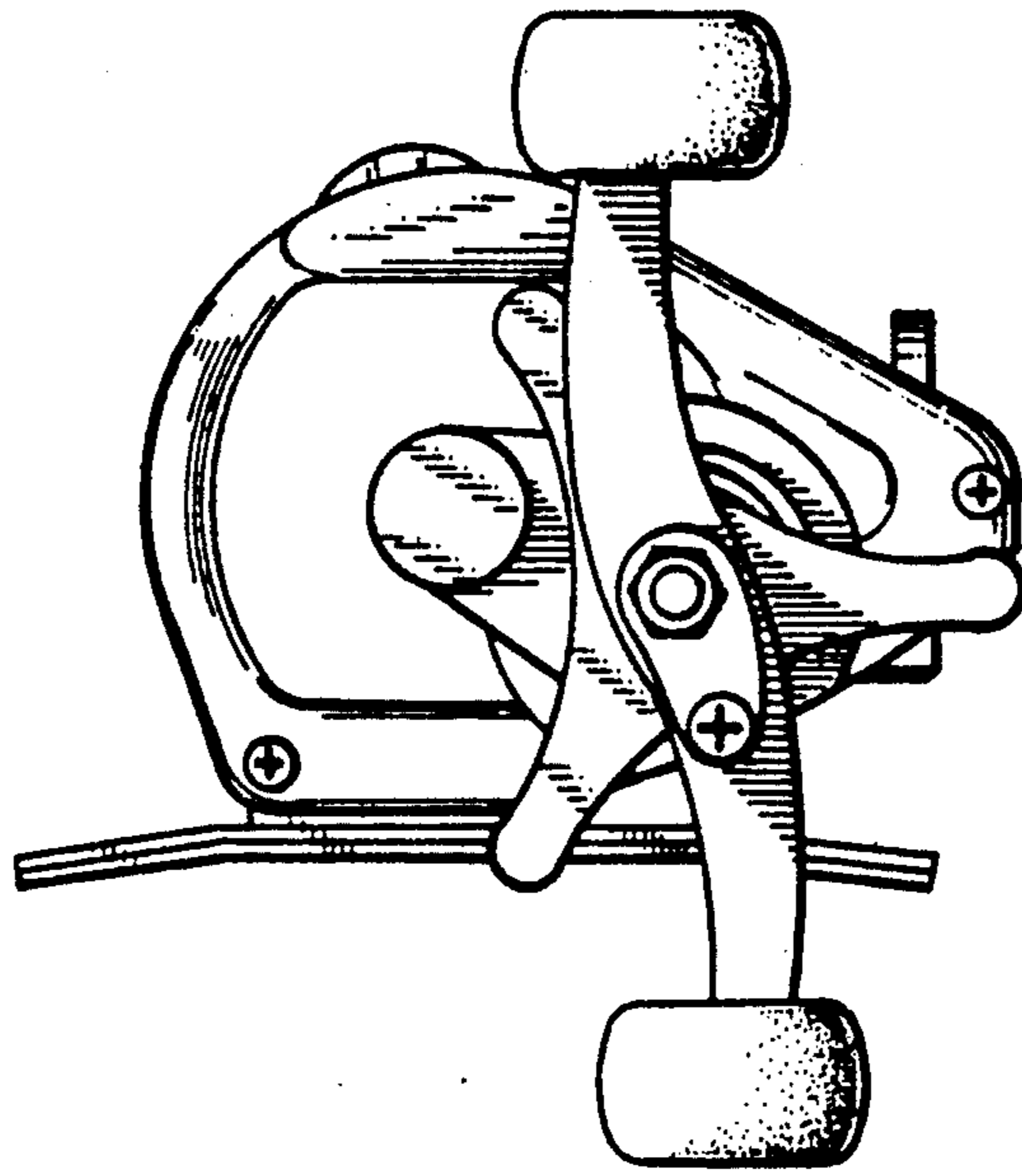


FIG. 2

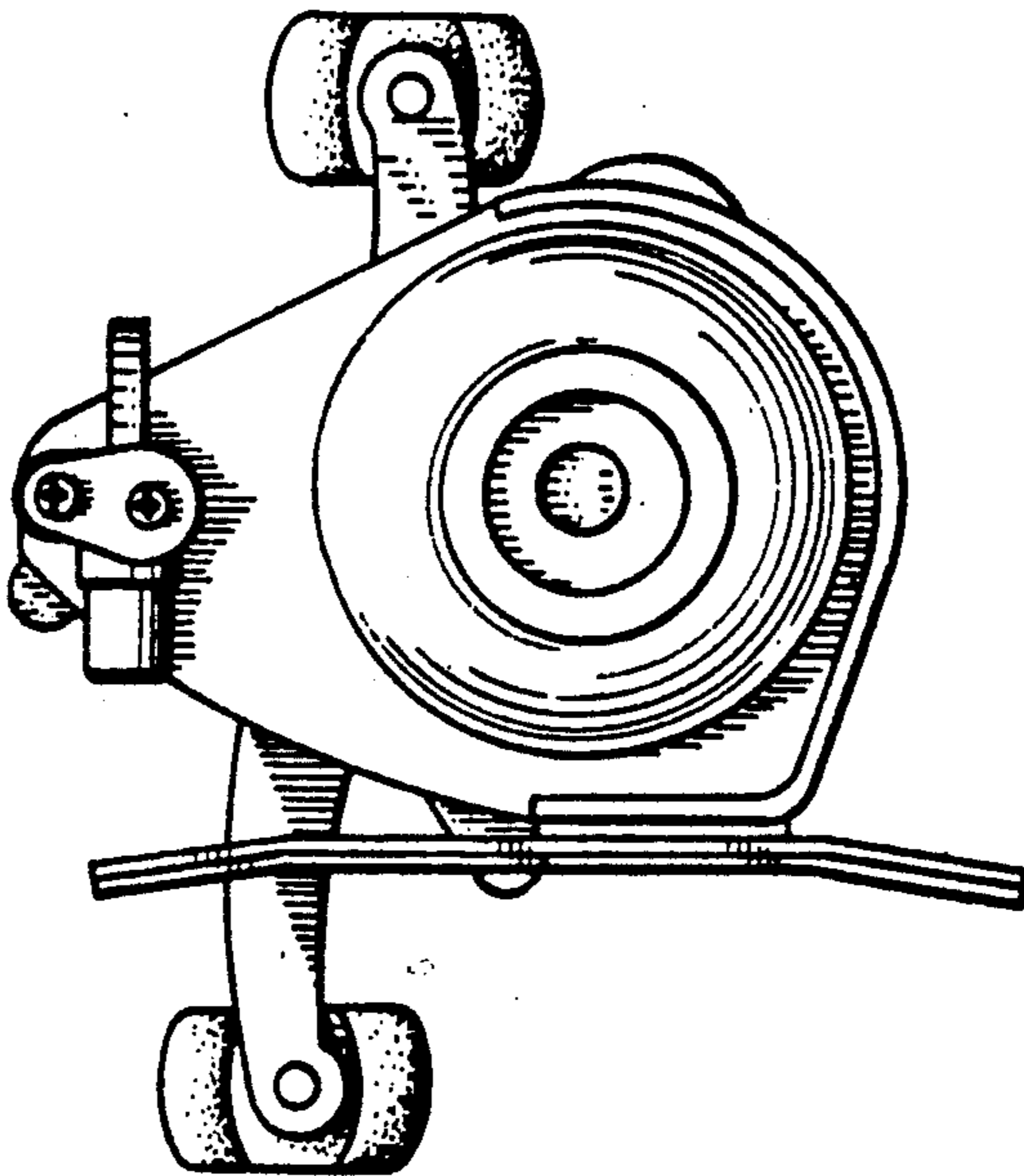


FIG. 3

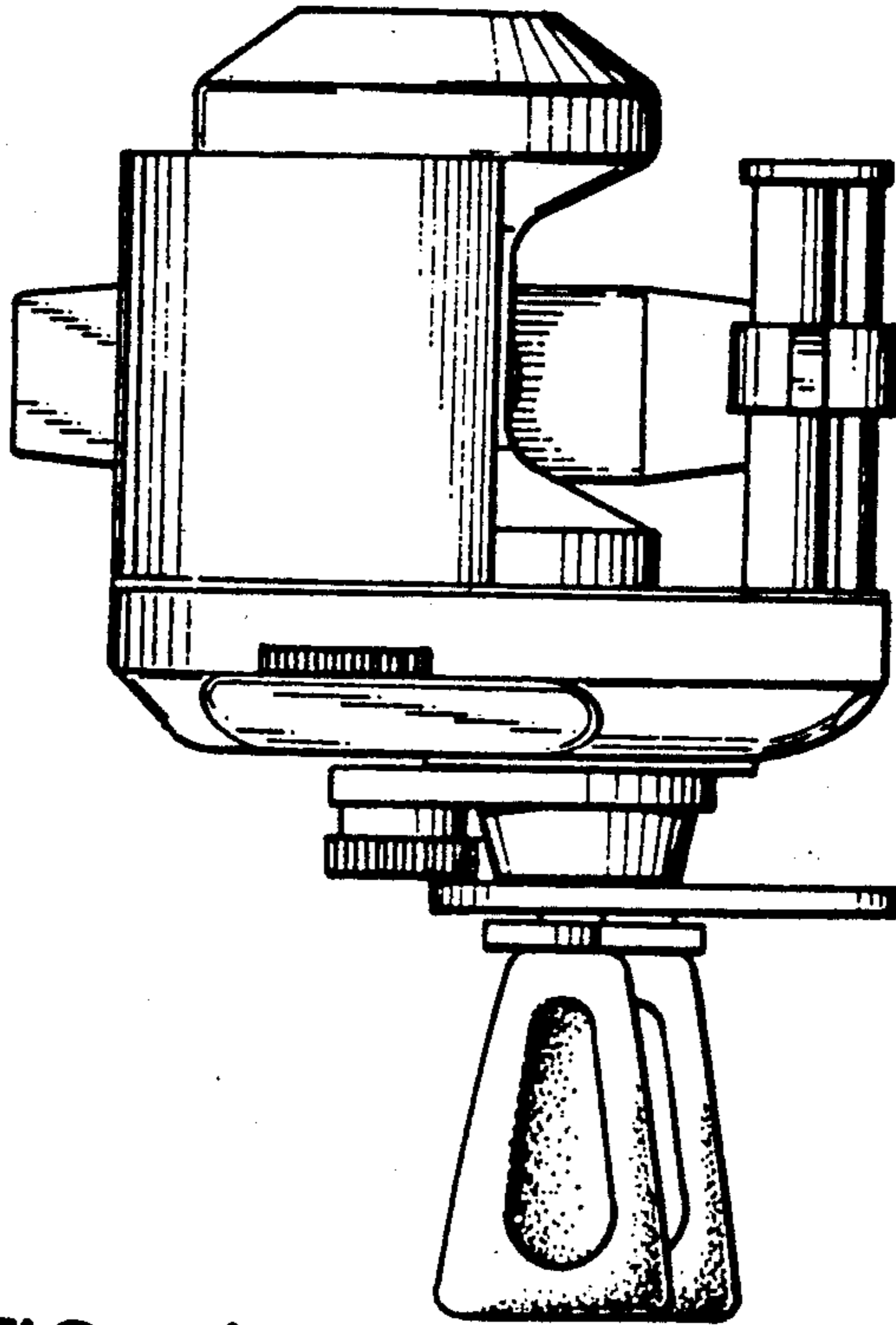


FIG. 4

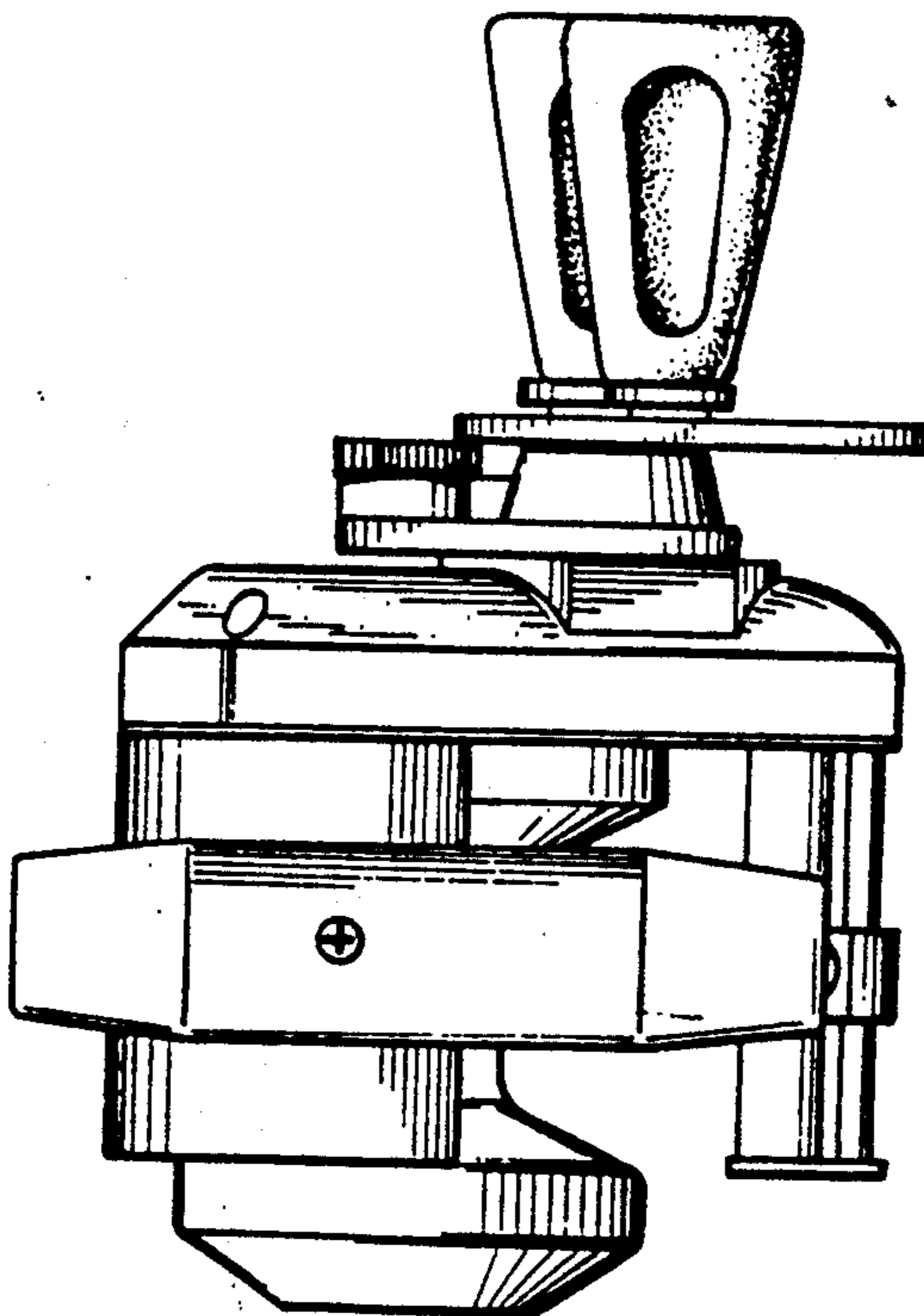


FIG. 5

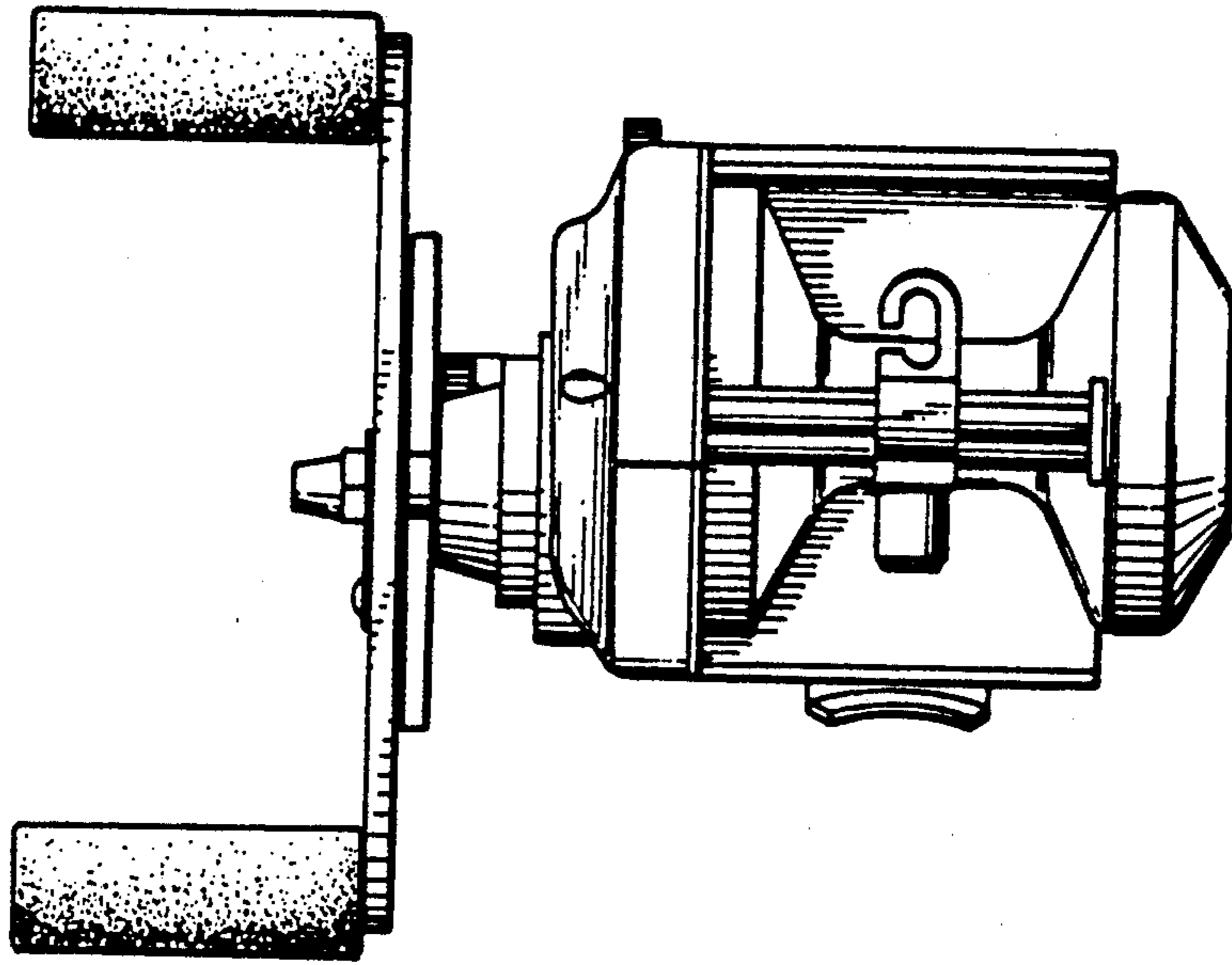


FIG. 6

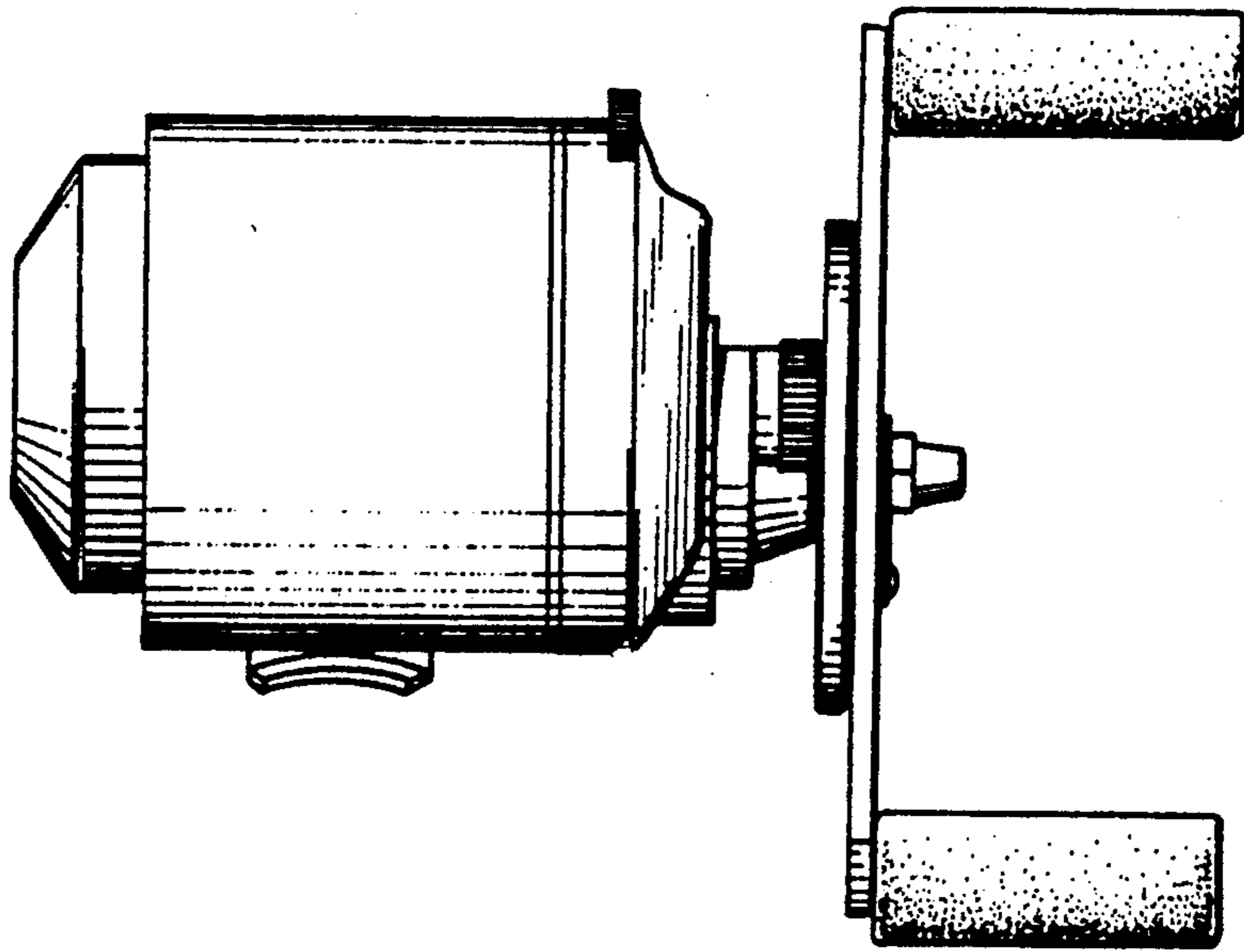


FIG. 7