

[54] MONSTER TOY ROBOT

[75] Inventors: Douglas J. Malewicki, Irvine; Robert M. Kubinski, Garden Grove, both of Calif.

[73] Assignee: Monster Robots Inc., Malibu, Calif.

[**] Term: 14 Years

[21] Appl. No.: 229,930

[22] Filed: Aug. 8, 1988

[52] U.S. Cl. D21/150; D21/148; D21/154

[58] Field of Search D21/150, 154, 148; 446/94, 487, 376

[56] References Cited

U.S. PATENT DOCUMENTS

- D. 286,901 11/1986 Ohno D21/150
- D. 292,223 10/1987 Trumbull D21/150

- D. 294,611 3/1988 Shinohara D21/150
- D. 306,048 2/1990 Shibukawa D21/150

OTHER PUBLICATIONS

Hong Kong Toys, 1986, p. 35, monster figure.

Primary Examiner—Melvin B. Feifer
Attorney, Agent, or Firm—James Bartholomew

[57] CLAIM

The ornamental design for a monster toy robot, as shown and described.

DESCRIPTION

FIG. 1 is a perspective view of a monster toy robot showing our new design;
 FIG. 2 is a front elevation thereof;
 FIG. 3 is a right side elevation, the opposite side being a mirror image thereof;
 FIG. 4 is a top plan view thereof; and
 FIG. 5 is a rear elevation thereof.

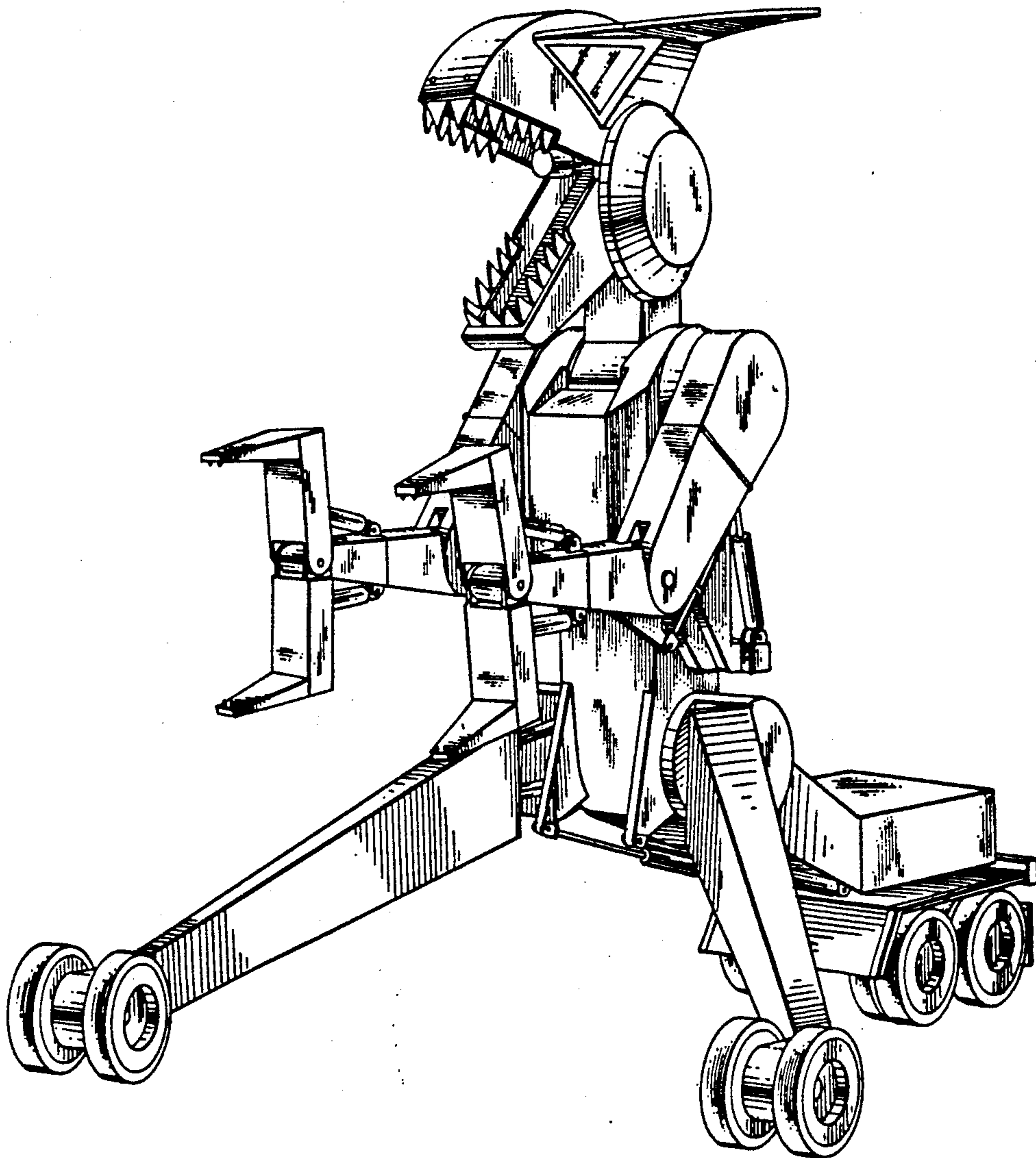


FIG. 1

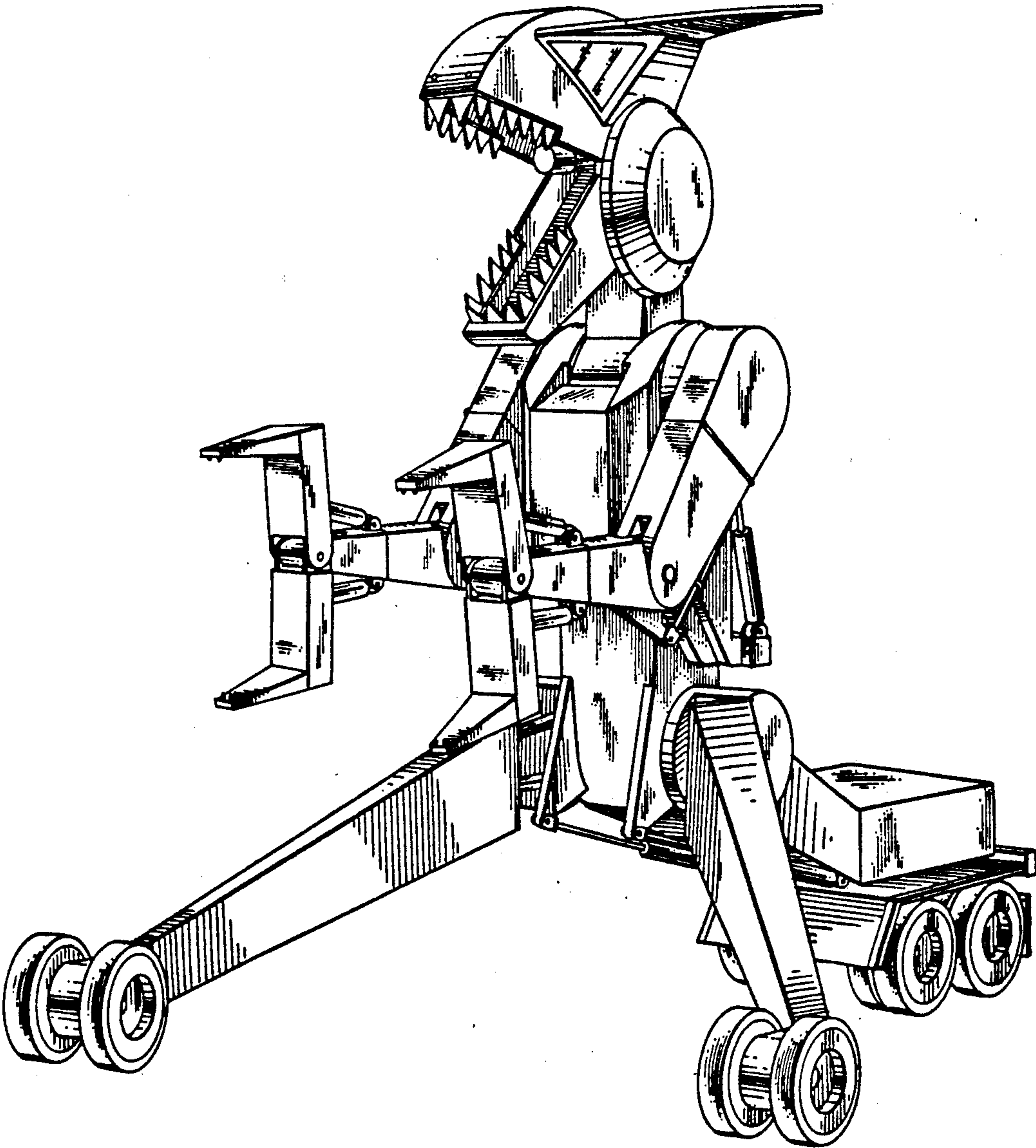


FIG. 3

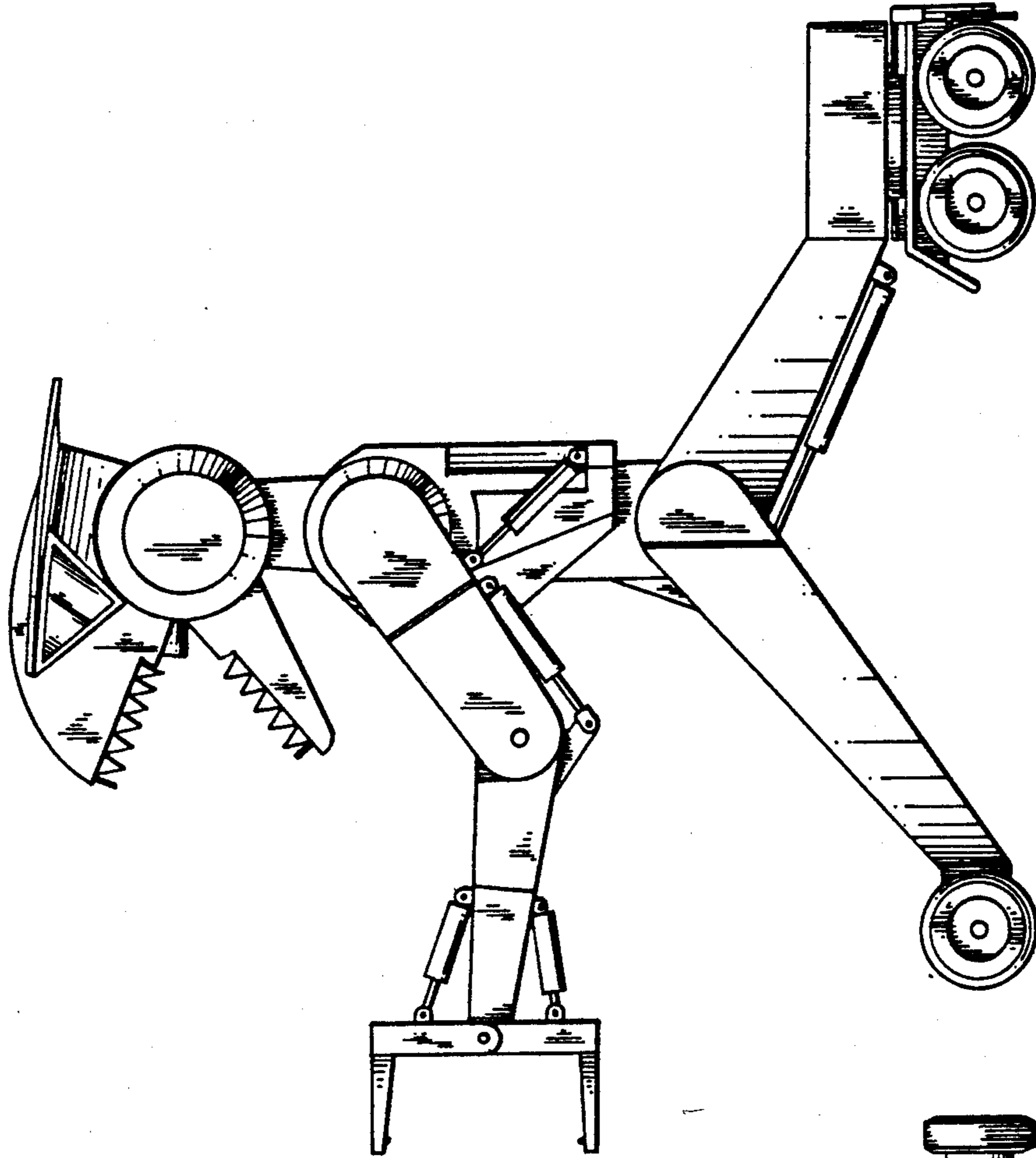


FIG. 2

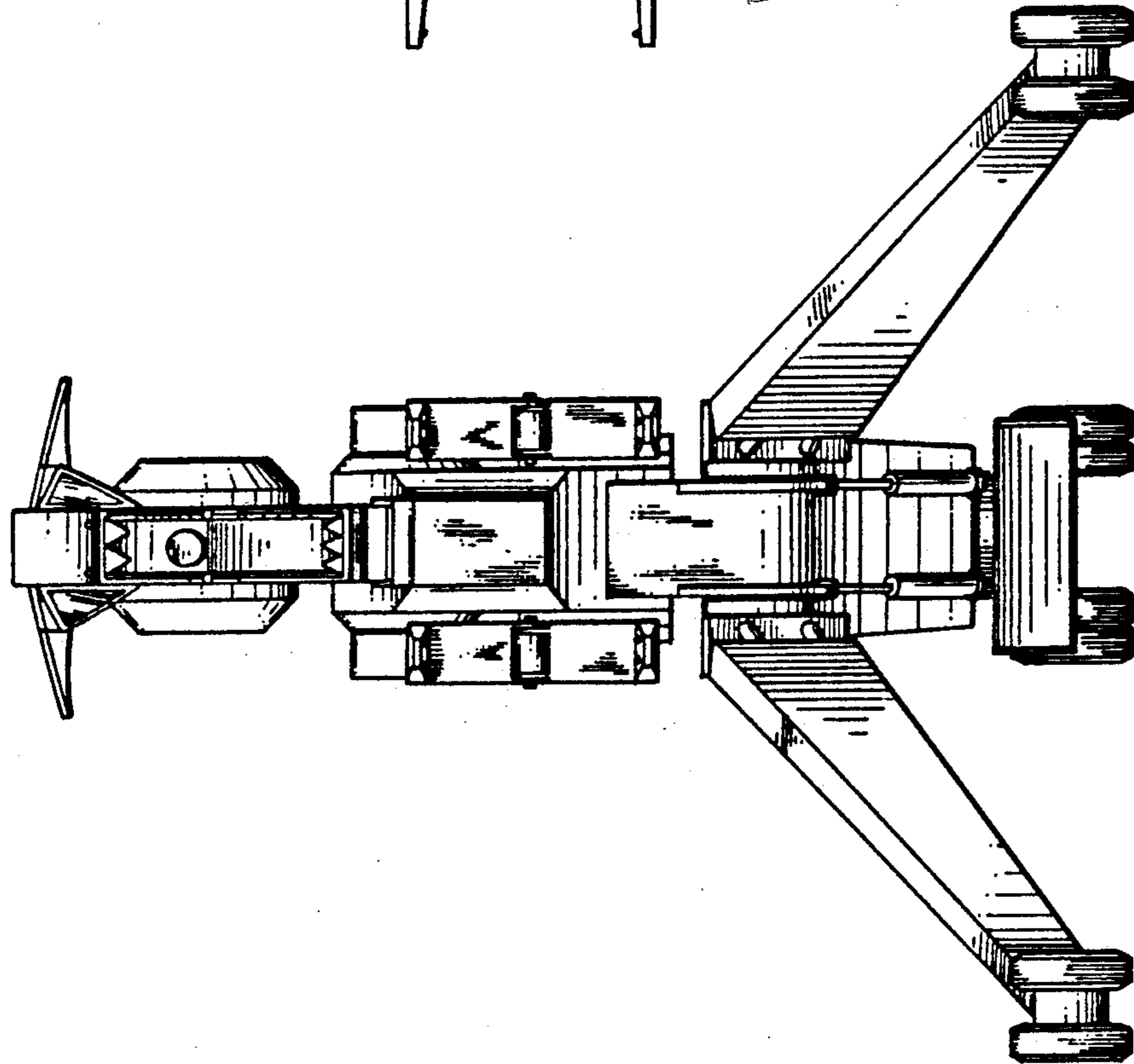


FIG. 5

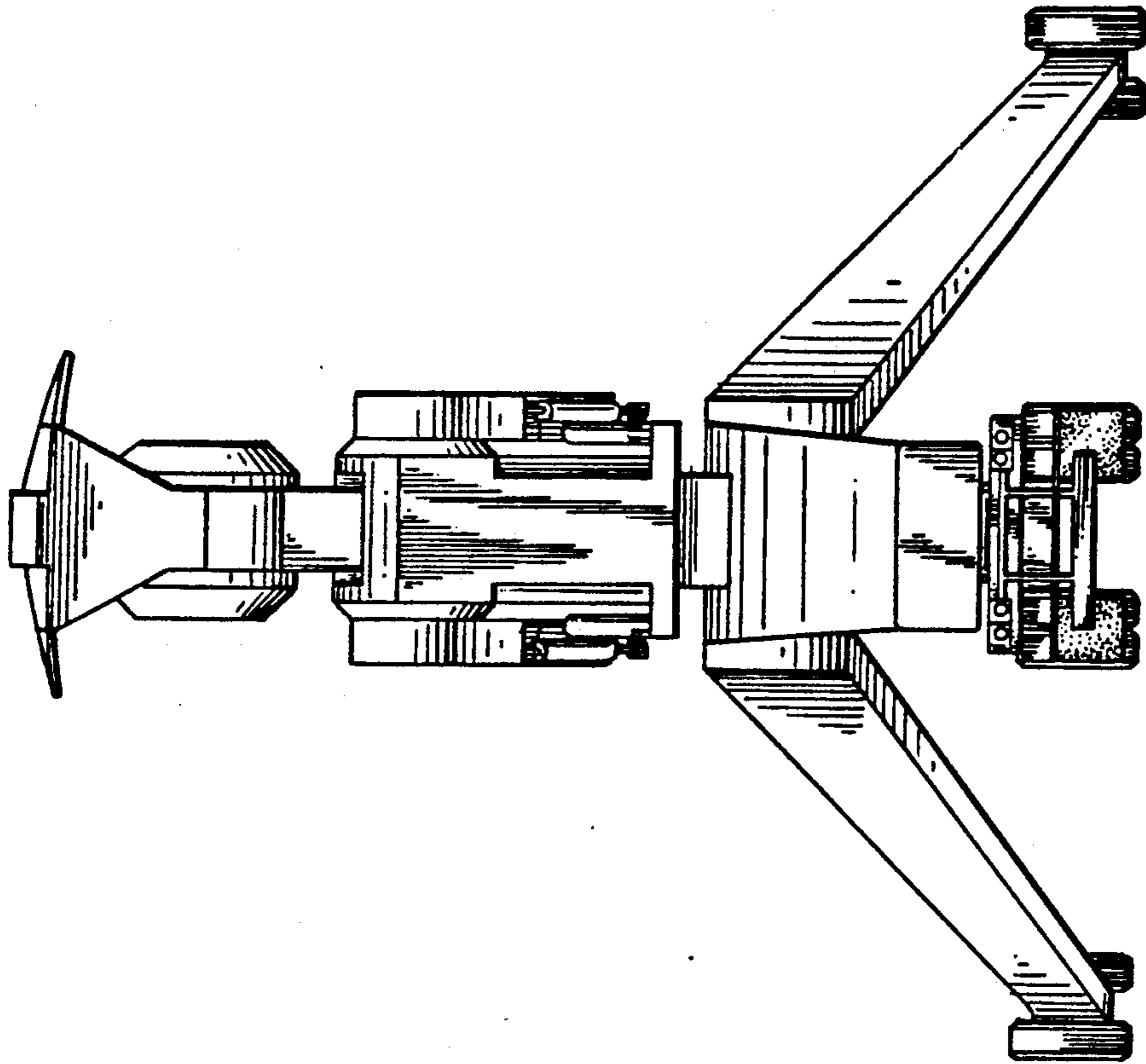


FIG. 4

