

[54] COMBINED RULER AND WRITING INSTRUMENT UNIT

[76] Inventor: Hu Cho-Kai, No. 13, Lane 9, Lishui St., Taipei, Taiwan

[**] Term: 14 Years

[21] Appl. No.: 272,654

[22] Filed: Nov. 17, 1988

[52] U.S. Cl. D19/36; D10/71; D19/48; D19/83; D19/95

[58] Field of Search D10/61, 64, 71; D19/35, D19/36, 41-51, 54-58, 65, 75, 81-85, 95, 99, 100; 401/195; 33/449, 483, 485

[56] References Cited

U.S. PATENT DOCUMENTS

181,236	8/1876	Wyckoff	33/485
D. 185,045	4/1959	Slaton	D19/83 X
185,977	1/1877	Smith	33/485 X
D. 193,410	8/1962	Reichenthal	D19/36 X
D. 258,911	4/1981	Sandel	D19/36 X
D. 261,612	11/1981	Henkels	D10/71 X
D. 264,824	6/1982	Sandel	D19/36 X
D. 267,552	1/1983	Seely, Jr. et al.	D10/71
D. 272,421	1/1984	Sandel	D19/36 X
422,701	3/1890	Benzinger et al.	33/485

469,593	2/1892	Patterson	33/485 X
1,227,614	5/1917	Hauptman	33/485 X
2,026,768	1/1936	Aronson	33/27.03
2,277,452	3/1942	Pettersen	33/449
2,342,476	2/1944	McEvoy et al.	33/485
3,195,235	7/1965	Regan	33/449

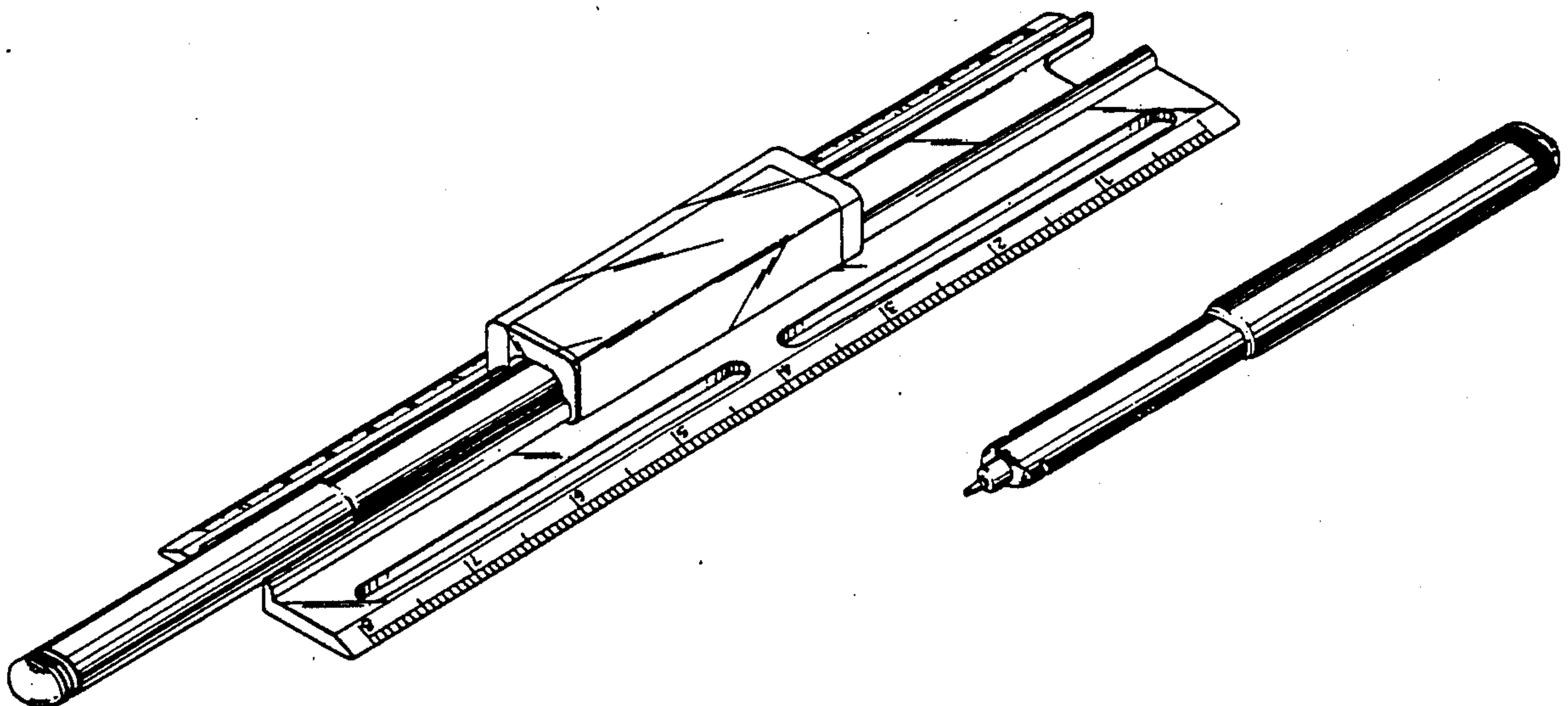
Primary Examiner—Bruce W. Dunkins
Assistant Examiner—Martha Thompson
Attorney, Agent, or Firm—Armstrong, Nikaido, Marmelstein, Kubovcik & Murray

[57] CLAIM

The ornamental design for a combined ruler and writing instrument unit, as shown and described.

DESCRIPTION

FIG. 1 is a top perspective view of a combined ruler and writing instrument unit showing my new design; FIG. 2 is a top plan view; FIG. 3 is a bottom plan view; FIG. 4 is a right end elevational view; FIG. 5 is a left end elevational view; FIG. 6 is a right side elevational view; FIG. 7 is a left side elevational view; and FIG. 8 is a top perspective view in an exploded condition with the writing tip portion of the writing instrument barrels shown in a fully extended condition.



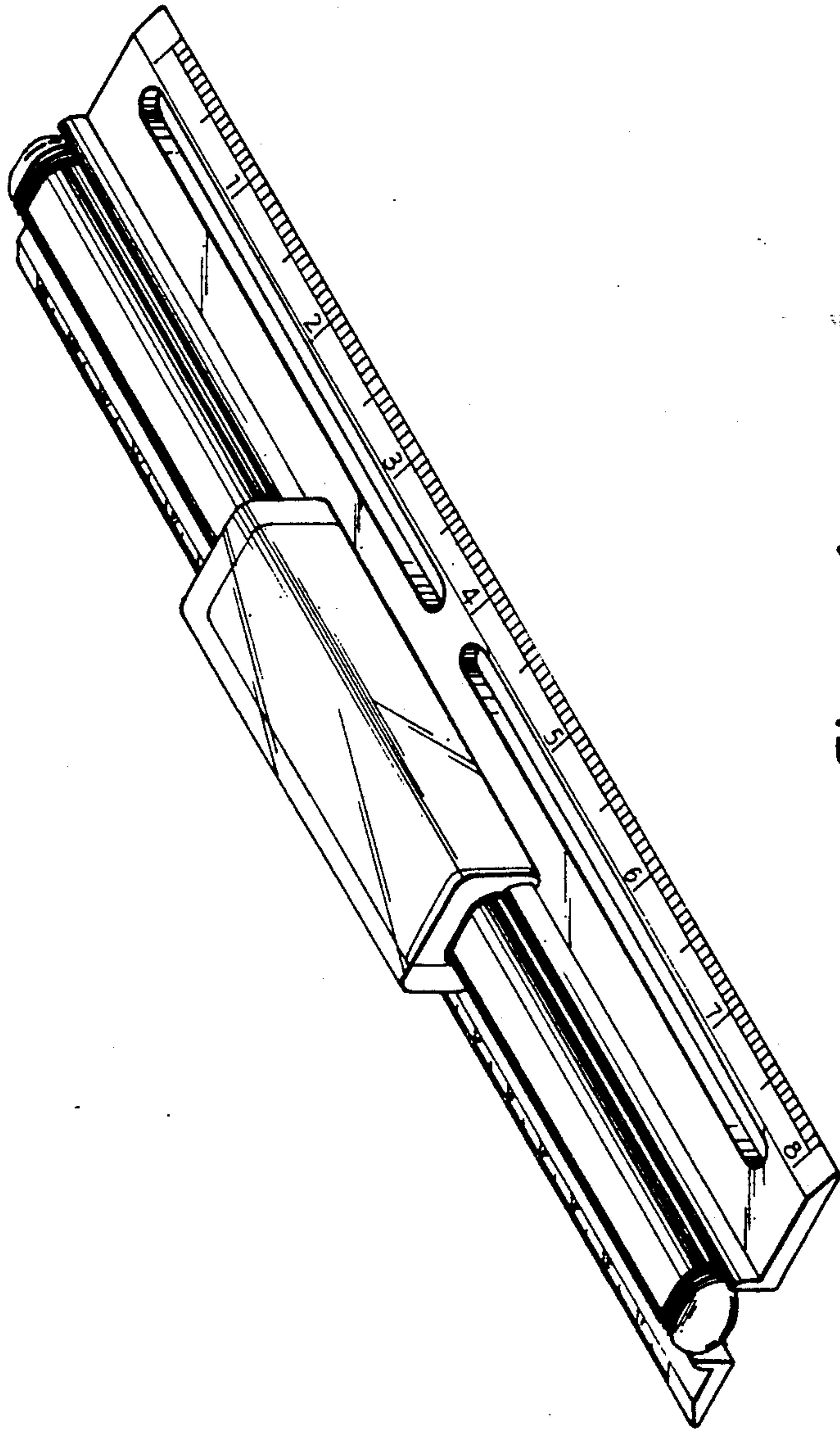


Fig. 1

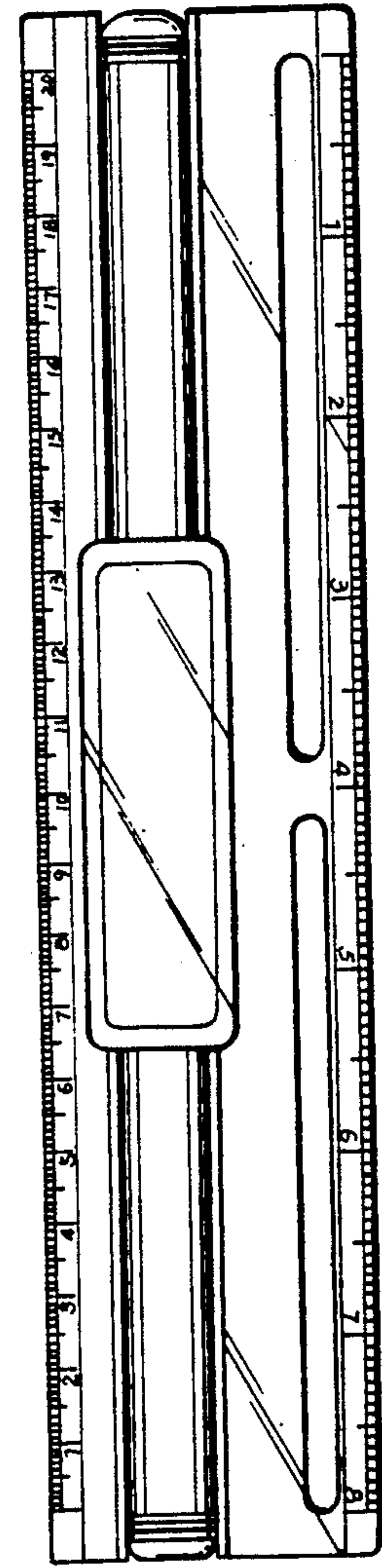


Fig. 2



Fig. 4

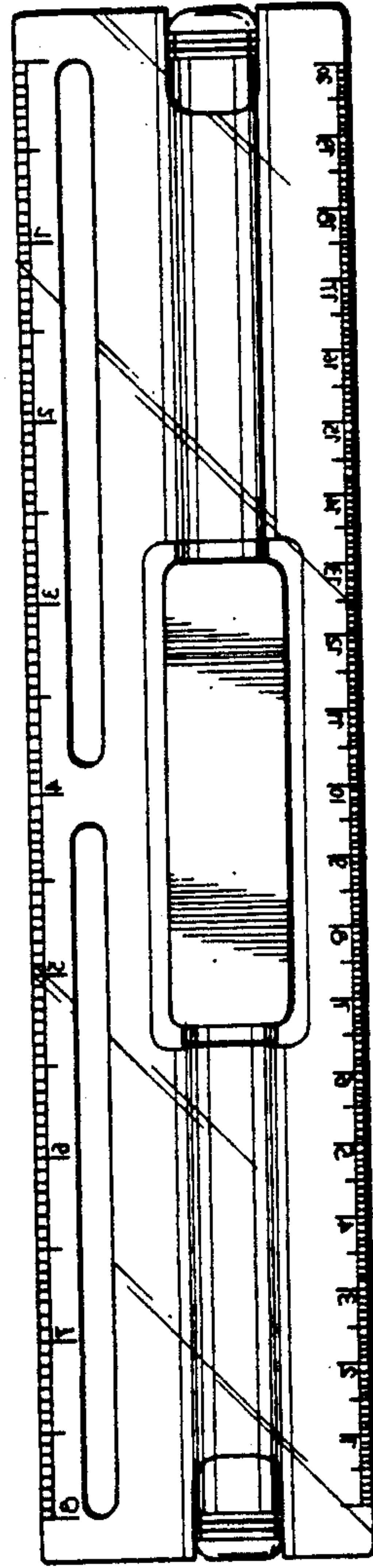


Fig. 3

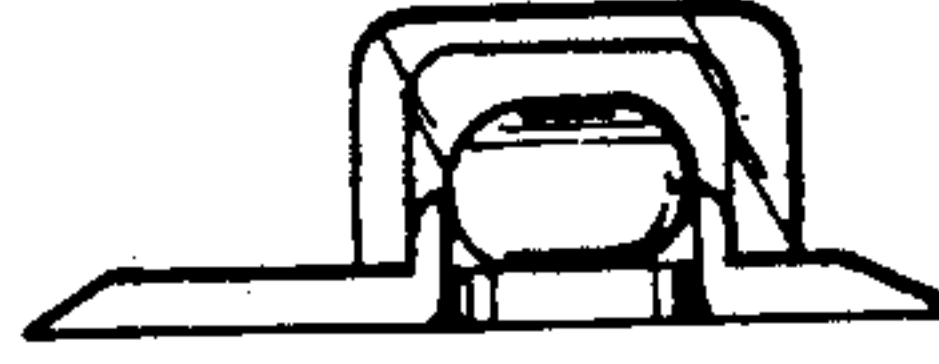


Fig. 5

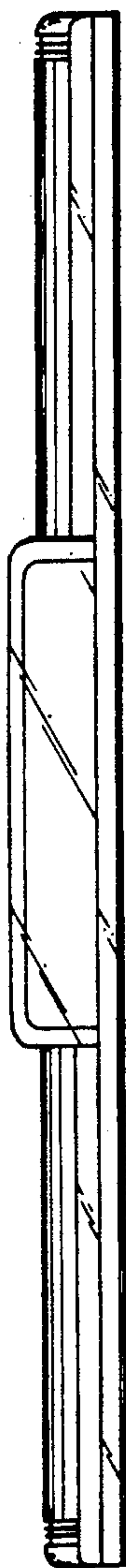


Fig. 6



Fig. 7

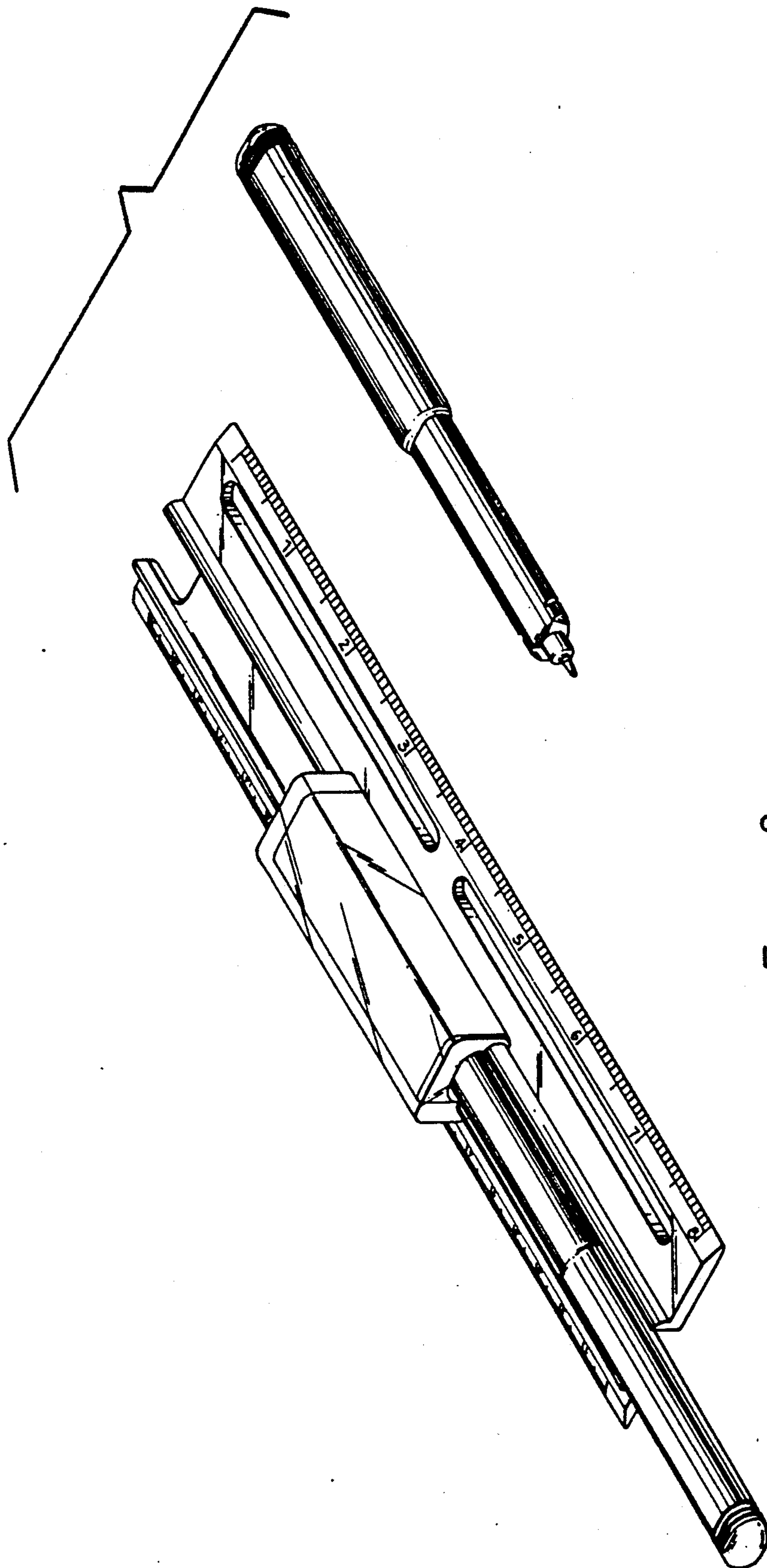


Fig 8